




Dell Studio One 19/1909 Service Manual

[Technical Overview](#)
[Before You Begin](#)
[Computer Cover](#)
[Shield](#)
[Microphone](#)
[Stand](#)
[Memory Module\(s\)](#)
[Back I/O Panel](#)

[Processor Fan and Heat Sink](#)
[Processor](#)
[Speakers](#)
[Drives](#)
[Cards](#)
[Inverter](#)
[System Fan and Heat Sink Assembly](#)
[Side I/O Panel](#)

[Power Supply Unit](#)
[Battery](#)
[System Board](#)
[Support Assembly](#)
[Webcam](#)
[System Setup](#)

Notes, Cautions, and Warnings

-  **NOTE:** A NOTE indicates important information that helps you make better use of your computer.
-  **CAUTION:** A CAUTION indicates either potential damage to hardware or loss of data and tells you how to avoid the problem.
-  **WARNING:** A WARNING indicates a potential for property damage, personal injury, or death.
-

Information in this document is subject to change without notice.
© 2009 Dell Inc. All rights reserved.

Reproduction of these materials in any manner whatsoever without the written permission of Dell Inc. is strictly forbidden.

Trademarks used in this text: *Dell* and the *DELL* logo are trademarks of Dell Inc.; *Microsoft*, *Windows*, *Windows Vista*, and *Windows Vista* start button logo are either trademarks or registered trademarks of Microsoft Corporation in the United States and/or other countries.

Other trademarks and trade names may be used in this document to refer to either the entities claiming the marks and names or their products. Dell Inc. disclaims any proprietary interest in trademarks and trade names other than its own.

Model MTF

March 2009 Rev. A00

[Back to Contents Page](#)

Before You Begin

Dell Studio One 19/1909 Service Manual

- [Recommended Tools](#)
- [Turning Off Your Computer](#)
- [Safety Instructions](#)

This chapter provides procedures for removing and installing the components in your computer. Unless otherwise noted, each procedure assumes that the following conditions exist:

- 1 You have performed the steps in [Turning Off Your Computer](#) and [Safety Instructions](#).
- 1 You have read the safety information that shipped with your computer.
- 1 A component can be replaced or—if purchased separately—installed by performing the removal procedure in reverse order.



Recommended Tools

The procedures in this document may require the following tools:

- 1 Small Phillips screwdriver
- 1 Hex nut driver
- 1 Flash BIOS update program CD
- 1 Flash BIOS executable update program on the Dell Support website at support.dell.com


Turning Off Your Computer

 **CAUTION:** To avoid losing data, save and close all open files and exit all open programs before you turn off your computer.


1. Save and close all open files and exit all open programs.
2. Click the Windows Vista Start button  , in the lower-left corner of the desktop, click the arrow  , in the lower-right corner of the Start menu, and then click **Shut Down**.
3. The computer turns off after the operating system shutdown process is complete.
4. Ensure that the computer and all attached devices are turned off. If your computer and attached devices did not automatically turn off when you shut down your operating system, press and hold the power button for about 4 seconds to turn them off.


Safety Instructions


Use the following safety guidelines to help protect your computer from potential damage and to help to ensure your own personal safety.

 **WARNING:** Before working inside your computer, read the safety information that shipped with your computer. For additional safety best practices information, see the Regulatory Compliance Homepage at www.dell.com/regulatory_compliance.

 **WARNING:** Disconnect all power sources before opening the enclosure to replace, remove, or install accessories. After the installation is completed, the enclosure must be replaced and all fasteners installed before connecting to the power source.


 **CAUTION:** Only a certified service technician is authorized to remove the computer cover and access any of the components inside the computer. See the safety instructions for complete information about safety precautions, working inside your computer, and protecting against electrostatic discharge.

 **CAUTION:** When you disconnect a cable, pull on its connector or on its pull-tab, not on the cable itself. Some cables have connectors with locking tabs; if you are disconnecting this type of cable, press in on the locking tabs before you disconnect the cable. As you pull connectors apart, keep them evenly aligned to avoid bending any connector pins. Also, before you connect a cable, ensure that both connectors are correctly oriented and aligned.


 **CAUTION:** To avoid damaging the computer, perform the following steps before you begin working inside the computer.

1. Ensure that the work surface is flat and clean to prevent the computer display from being scratched.

2. Turn off your computer (see [Turning Off Your Computer](#)).

 **CAUTION:** To disconnect a network cable, first unplug the cable from your computer and then unplug the cable from the network device.

3. Disconnect all telephone or network cables from the computer.
4. Disconnect your computer and all attached devices from their electrical outlets.
5. Press and hold the power button while the system is unplugged to ground the system board.

 **CAUTION:** Before touching anything inside your computer, ground yourself by touching an unpainted metal surface, such as the metal at the back of the computer. While you work, periodically touch an unpainted metal surface to dissipate static electricity, which could harm internal components.

[Back to Contents Page](#)

Cards

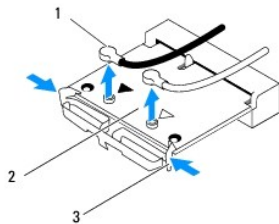
Dell Studio One 19/1909 Service Manual

- [Removing the WLAN Card](#)
- [Replacing the WLAN Card](#)
- [Removing the RF Module](#)
- [Replacing the RF Module](#)

WARNING: Before working inside your computer, read the safety information that shipped with your computer. For additional safety best practices information, see the Regulatory Compliance Homepage at www.dell.com/regulatory_compliance.

Removing the WLAN Card

1. Follow the instructions in [Before You Begin](#).
2. Remove the computer cover (see [Removing the Computer Cover](#)).
3. Remove the shield (see [Removing the Shield](#)).
4. Disconnect the antenna cables from the WLAN card.
5. Release the WLAN card by pressing the clips on either side of the card.



1	antenna cables (2)	2	WLAN card
3	clips (2)		

6. Lift the card away from the system board connector.
-

Replacing the WLAN Card

CAUTION: The connectors are keyed to ensure correct insertion. Use of excessive force may damage the connectors.

CAUTION: To avoid damage to the WLAN card, ensure that there are no cables under the card. Also, ensure to remove the antenna cables from under the card.

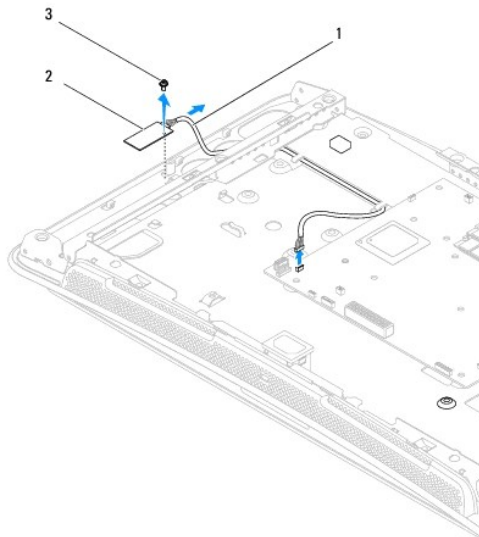
1. Follow the instructions in [Before You Begin](#).
2. Connect the appropriate antenna cables to the WLAN card you are installing. The WLAN card has two triangles on the label (black and white):
 1. Connect the black cable to the connector marked with a black triangle.
 1. Connect the white cable to the connector marked with a white triangle.
3. Align the notch on the WLAN card with the tab in the connector slot.
4. Insert the WLAN card at a 45-degree angle into the system board connector.
5. Press down on the WLAN card until it clicks in place.

6. Replace the shield (see [Replacing the Shield](#)).
7. Replace the computer cover (see [Replacing the Computer Cover](#)).

Removing the RF Module

⚠ WARNING: Before working inside your computer, read the safety information that shipped with your computer. For additional safety best practices information, see the Regulatory Compliance Homepage at www.dell.com/regulatory_compliance.

1. Follow the instructions in [Before You Begin](#).
2. Remove the computer cover (see [Removing the Computer Cover](#)).
3. Remove the shield (see [Removing the Shield](#)).
4. Remove the stand (see [Removing the Stand](#)).
5. Remove the back I/O panel (see [Removing the Back I/O Panel](#)).
6. Remove the processor fan (see [Removing the Processor Fan](#)).
7. Remove the right speaker (see [Removing the Right Speaker](#)).
8. Remove the optical drive (see [Removing the Optical Drive](#)).
9. Remove the screw securing the radio frequency (RF) module, flip the module and disconnect the RF module cable.



1	RF module cable	2	RF module
3	screw		

Replacing the RF Module

1. Follow the instructions in [Before You Begin](#).
2. To install the RF module, connect the RF module cable.

3. Flip the RF module and align the screw hole on the RF module with the screw hole on the chassis.
 4. Replace the screw that secures the RF module.
 5. Replace the optical drive (see [Replacing the Optical Drive](#)).
 6. Replace the right speaker (see [Replacing the Right Speaker](#)).
 7. Replace the processor fan (see [Replacing the Processor Fan](#)).
 8. Replace the back I/O panel (see [Replacing the Back I/O Panel](#)).
 9. Replace the stand (see [Replacing the Stand](#)).
 10. Replace the shield (see [Replacing the Shield](#)).
 11. Replace the computer cover (see [Replacing the Computer Cover](#)).
-

[Back to Contents Page](#)

Battery

Dell Studio One 19/1909 Service Manual

- [Removing the Battery](#)
- [Replacing the Battery](#)

⚠ WARNING: Before working inside your computer, read the safety information that shipped with your computer. For additional safety best practices information, see the Regulatory Compliance Homepage at www.dell.com/regulatory_compliance.

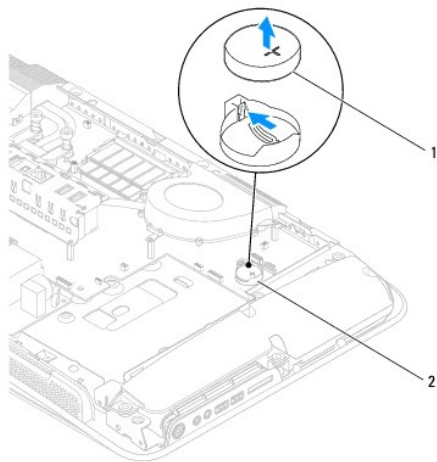
⚠ WARNING: A new battery can explode if it is incorrectly installed. Replace the battery only with the same or equivalent type recommended by the manufacturer. Discard used batteries according to the manufacturer's instructions.

Removing the Battery

1. Record all the screens in system setup (see [System Setup](#)) so that you can restore the correct settings in [step 7](#).
2. Follow the procedures in [Before You Begin](#).
3. Remove the computer cover (see [Removing the Computer Cover](#)).
4. Remove the shield (see [Removing the Shield](#)).
5. Disconnect the cables to the connectors HDD_POWER and SATA_1 (see [System Board Components](#)).
6. Locate the battery socket on the system board (see [System Board Components](#)).

⚠ CAUTION: If you pry the battery out of its socket with a blunt object, be careful not to touch the system board with the object. Ensure that the object is inserted between the battery and the socket before you attempt to pry out the battery. Otherwise, you may damage the system board by prying off the socket or by breaking circuit traces on the system board.

7. Carefully press the battery release lever away from the battery and the battery will pop out.
8. Remove the battery from the system and properly dispose of the battery.



1	coin-cell battery	2	battery socket
---	-------------------	---	----------------

Replacing the Battery

1. Follow the procedures in [Before You Begin](#).
2. Insert the new battery into the socket with the side labeled "+" facing up and then snap the battery into place.
3. Reconnect the cables to the connectors HDD_POWER and SATA_1 (see [System Board Components](#)).
4. Replace the shield (see [Replacing the Shield](#)).
5. Replace the computer cover (see [Replacing the Computer Cover](#)).
6. Connect your computer and devices to electrical outlets, and then turn them on.
7. Enter system setup (see [System Setup](#)) and restore the settings you recorded in [step 1](#).

[Back to Contents Page](#)

Computer Cover

Dell Studio One 19/1909 Service Manual

- [Removing the Computer Cover](#)
- [Replacing the Computer Cover](#)

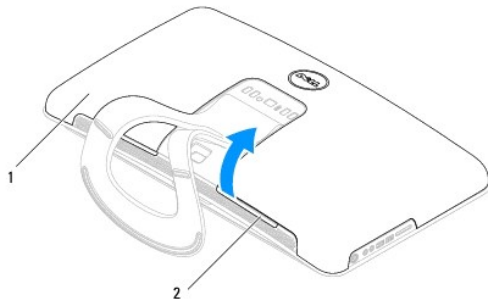
- ⚠ WARNING:** Before working inside your computer, read the safety information that shipped with your computer. For additional safety best practices information, see the Regulatory Compliance Homepage at www.dell.com/regulatory_compliance.
- ⚠ WARNING:** To guard against electrical shock, always unplug your computer from the electrical outlet before removing the computer cover.
- ⚠ CAUTION:** Ensure that sufficient space exists to support the system with the computer cover removed—at least 30 cm (1 ft.) of desk top space.
-

Removing the Computer Cover

1. Follow the procedures in [Before You Begin](#).

⚠ CAUTION: Before opening your computer, ensure that you place the computer on a soft cloth or clean surface to avoid any scratches on the display.

2. Place the computer face down on a flat surface.
3. Starting at the groove at the bottom of the computer cover, use your fingers to separate the computer cover from the computer by lifting the insides of the computer cover.
4. Work around the computer cover and gently ease the computer cover away from the computer.



1	computer cover	2	groove
---	----------------	---	--------

5. Lift the computer cover away from the computer and place it aside in a secure location.
-

Replacing the Computer Cover

1. Follow the procedures in [Before You Begin](#).
2. Position the computer cover over the computer.
3. Gently ease the pins into the holes on the shield.
4. Press down and push the computer cover along the edges until it snaps into place.
5. Connect your computer and all attached devices to electrical outlets, and turn them on.

[Back to Contents Page](#)

Support Assembly

Dell Studio One 19/1909 Service Manual

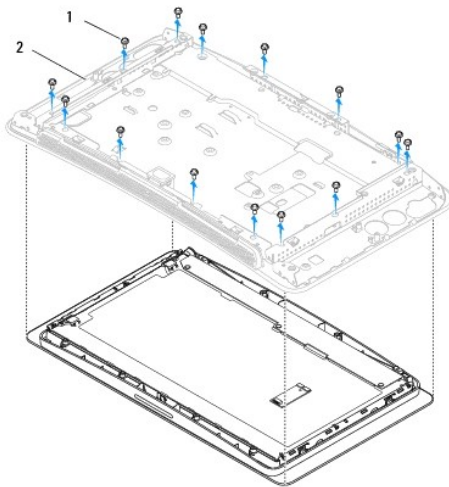
- [Removing the Support Assembly](#)
- [Replacing the Support Assembly](#)

⚠ WARNING: Before working inside your computer, read the safety information that shipped with your computer. For additional safety best practices information, see the Regulatory Compliance Homepage at www.dell.com/regulatory_compliance.

⚠ CAUTION: To avoid electrostatic discharge, ground yourself by using a wrist grounding strap or by periodically touching an unpainted metal surface (such as the computer stand).

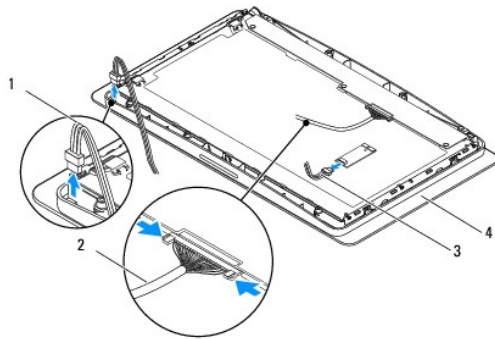
Removing the Support Assembly

1. Follow the instructions in [Before You Begin](#).
2. Remove the hard drive (see [Removing the Hard Drive](#)).
3. Remove the power supply unit (see [Removing the Power Supply Unit](#)).
4. Remove the optical drive (see [Removing the Optical Drive](#)).
5. Remove the side I/O panel (see [Removing the Side I/O Panel](#)).
6. Remove the inverter (see [Removing the Inverter](#)).
7. Remove the system board (see [Removing the System Board](#)).
8. Remove the fourteen screws that secure the support assembly to the LCD panel.



1	screws (14)	2	support assembly
---	-------------	---	------------------

9. Disconnect the following cables from the LCD panel:
 - 1 LVDS cable from LVDS connector
 - 1 touch pad cable from the touch pad connector
 - 1 touch panel cable from the touch panel module



1	touch pad cable	2	LVDS cable
3	touch panel cable	4	LCD panel

Replacing the Support Assembly

1. Follow the instructions in [Before You Begin](#).
2. Reconnect the following cables to the LCD panel:
 - 1 LVDS cable from LVDS connector
 - 1 touch pad cable from the touch pad connector
 - 1 touch panel cable from the touch panel module
3. Replace the fourteen screws that secure the support assembly to the LCD panel.
4. Replace the hard drive (see [Replacing the Hard Drive](#)).
5. Replace the power supply unit (see [Replacing the Power Supply Unit](#)).
6. Replace the optical drive (see [Replacing the Optical Drive](#)).
7. Replace the inverter (see [Replacing the Inverter](#)).
8. Replace the side I/O panel (see [Replacing the Side I/O Panel](#)).
9. Replace the system board (see [Replacing the System Board](#)).

[Back to Contents Page](#)

Drives

Dell Studio One 19/1909 Service Manual

- [Removing the Hard Drive](#)
- [Replacing the Hard Drive](#)
- [Removing the Optical Drive](#)
- [Replacing the Optical Drive](#)

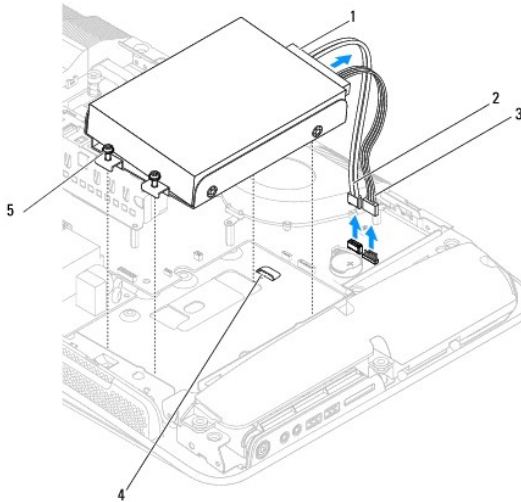
⚠ WARNING: Before working inside your computer, read the safety information that shipped with your computer. For additional safety best practices information, see the Regulatory Compliance Homepage at www.dell.com/regulatory_compliance.

Removing the Hard Drive

1. Follow the procedures in [Before You Begin](#).
2. Remove the computer cover (see [Removing the Computer Cover](#)).
3. Remove the shield (see [Removing the Shield](#)).
4. Loosen the two captive screws securing the hard drive carrier to the chassis.
5. Slide the hard drive towards you and lift it away from the chassis.
6. Disconnect the hard drive connector from the hard drive.

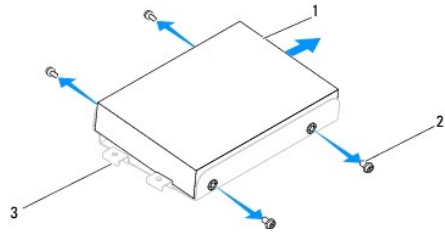
🔧 NOTE: If you are not replacing the hard drive at this time, disconnect the other end of the data cable from the connector (SATA_1) and power cable from the connector (HDD_POWER) on the system board and set it aside.

7. Lift the hard drive carrier out of the chassis.



1	hard drive connector	2	hard drive data cable
3	hard drive power cable	4	grooves (2)
5	captive screws (2)		

8. Remove the four screws securing the hard drive to the hard drive carrier.




1	hard drive	2	screws (4)
3	hard drive carrier		

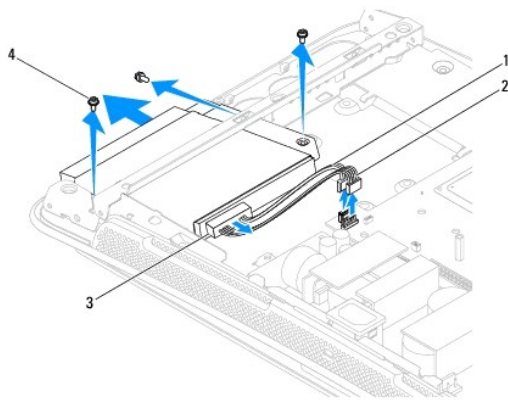
Replacing the Hard Drive

1. Follow the procedures in [Before You Begin](#).
2. Prepare the new hard drive for installation and check the documentation that accompanied the drive to verify that the drive is configured for your computer.
3. Align the screw holes on the hard drive with the screw holes on the hard drive carrier.
4. Replace the four screws that secure the hard drive to the hard drive carrier.
5. Reconnect the hard drive connector to the hard drive.
6. Slide the hard drive carrier into the grooves in the chassis.
7. Align the screw holes on the hard drive carrier with the screw holes on the chassis.
8. Tighten the two captive screws that secures the hard drive carrier to the chassis.
9. Replace the shield (see [Replacing the Shield](#)).
10. Replace the computer cover (see [Replacing the Computer Cover](#)).

Removing the Optical Drive

1. Follow the procedures in [Before You Begin](#).
2. Remove the computer cover (see [Removing the Computer Cover](#)).
3. Remove the shield (see [Removing the Shield](#)).
4. Remove the stand (see [Removing the Stand](#)).
5. Remove the back I/O panel (see [Removing the Back I/O Panel](#)).
6. Remove the processor fan (see [Removing the Processor Fan](#)).
7. Remove the right speaker (see [Removing the Right Speaker](#)).
8. Disconnect the optical drive connector.

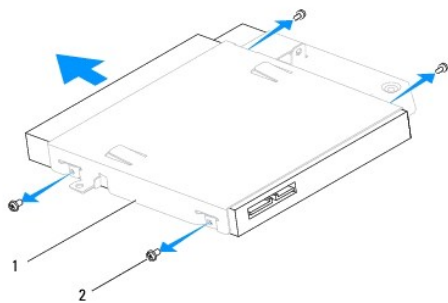
 **NOTE:** If you are not replacing the optical drive at this time, disconnect the other end of the data cable (SATA_2) and power cable (ODD_POWER) from the system board and set it aside.
9. Remove the three screws securing the optical drive carrier to the chassis and slide the optical drive carrier out of the computer.



1	optical drive data cable	2	optical drive power cable
3	optical drive connector	4	screws (3)

10. Remove the four screws securing the optical drive to the optical drive carrier.

11. Slide the optical drive out of the optical drive carrier.



1	optical drive carrier	2	screws (4)
---	-----------------------	---	------------

Replacing the Optical Drive

1. Follow the procedures in [Before You Begin](#).
2. Prepare the optical drive for installation and check the documentation that accompanied the drive to verify that the drive is configured for your computer.
3. Slide the drive into the optical drive carrier.
4. Align the screw holes on the optical drive with the screw holes on the optical drive carrier, and replace the four screws that secure the optical drive.
5. Align the screw holes on the optical drive carrier with the screw holes on the chassis, and replace the three screws that secure the optical drive.
6. Reconnect the optical drive connector.
7. Replace the right speaker (see [Replacing the Right Speaker](#)).
8. Replace the processor fan (see [Replacing the Processor Fan](#)).

9. Replace the back I/O panel (see [Replacing the Back I/O Panel](#)).
 10. Replace the stand (see [Replacing the Stand](#)).
 11. Replace the shield (see [Replacing the Shield](#)).
 12. Replace the computer cover (see [Replacing the Computer Cover](#)).
-

[Back to Contents Page](#)

Processor Fan and Heat Sink

Dell Studio One 19/1909 Service Manual

- [Removing the Heat Sink](#)
- [Replacing the Heat Sink](#)
- [Removing the Processor Fan](#)
- [Replacing the Processor Fan](#)

⚠ WARNING: Before working inside your computer, read the safety information that shipped with your computer. For additional safety best practices information, see the Regulatory Compliance Homepage at www.dell.com/regulatory_compliance.

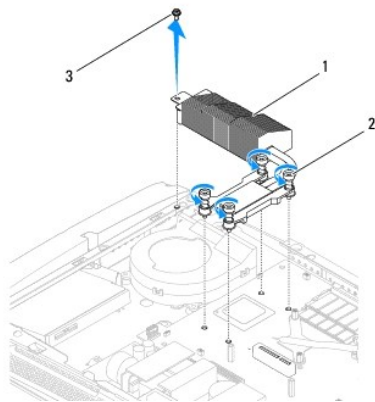
⚠ WARNING: The heat sink may be very hot during normal operation. Be sure that it has had sufficient time to cool before you touch it.

⚠ CAUTION: Do not perform the following steps unless you are familiar with hardware removal and replacement. Performing these steps incorrectly could damage your system board. For technical service information, see the *Setup Guide*.

Removing the Heat Sink

⚠ CAUTION: To ensure maximum cooling for the processor, do not touch the heat transfer areas on the processor heat sink. The oils in your skin can reduce the heat transfer capability of the thermal grease.

1. Follow the procedures in [Before You Begin](#).
2. Remove the computer cover (see [Removing the Computer Cover](#)).
3. Remove the shield (see [Removing the Shield](#)).
4. Remove the stand (see [Removing the Stand](#)).
5. Remove the back I/O panel (see [Removing the Back I/O Panel](#)).
6. Loosen the four captive screws that secure the heat sink to the system board.
7. Remove the screw that secures the heat sink to the chassis.
8. Carefully lift the heat sink away from the computer.



1	heat sink	2	captive screws (4)
3	screw		

Replacing the Heat Sink

CAUTION: Incorrect alignment of the processor heat sink can cause damage to the system board and processor.

1. Follow the procedures in [Before You Begin](#).

NOTE: The original thermal grease can be reused if the original processor and processor heat sink are reinstalled together. If either the processor or the processor heat sink is replaced, use the thermal grease provided in the kit to ensure that thermal conductivity is achieved.

2. Clean the thermal grease from the bottom of the heat sink and reapply it.
3. Align the screws on the processor heat sink with the screw holes on the chassis.

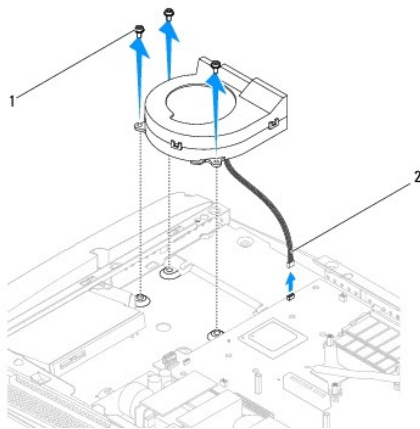
CAUTION: To prevent damage to the processor follow the marked sequence, this ensures equal pressure on the processor at all times.

4. Use the marked sequence on the processor heat sink to tighten the four captive screws at the lower end of the processor heat sink.
5. Replace the screw that secures the heat sink to the chassis.
6. Replace the back I/O panel (see [Replacing the Back I/O Panel](#)).
7. Replace the stand (see [Replacing the Stand](#)).
8. Replace the shield (see [Replacing the Shield](#)).
9. Replace the computer cover (see [Replacing the Computer Cover](#)).

Removing the Processor Fan

WARNING: Do not touch the fan when the computer is powered on.

1. Follow the procedures in [Before You Begin](#).
2. Remove the computer cover (see [Removing the Computer Cover](#)).
3. Remove the shield (see [Removing the Shield](#)).
4. Remove the three screws securing the processor fan.
5. Disconnect the processor fan cable from the connector (CPU_FAN1) on the system board.



1	screws (3)	2	processor fan cable
---	------------	---	---------------------

6. Lift the processor fan away from the computer and place it in a secure location.
-

Replacing the Processor Fan

1. Follow the procedures in [Before You Begin](#).
 2. Connect the processor fan cable to the connector (CPU_FAN1) on the system board.
 3. Replace the three screws securing the processor fan.
 4. Replace the shield (see [Replacing the Shield](#)).
 5. Replace the computer cover (see [Replacing the Computer Cover](#)).
-

[Back to Contents Page](#)

Inverter

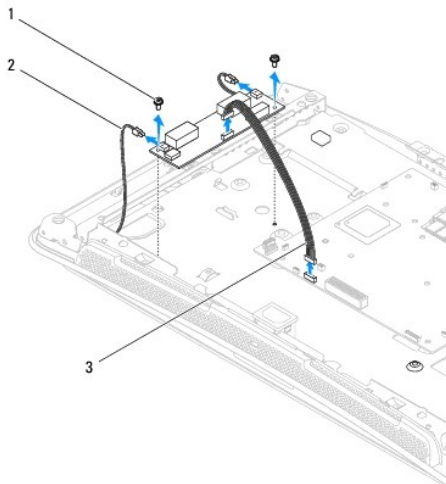
Dell Studio One 19/1909 Service Manual

- [Removing the Inverter](#)
- [Replacing the Inverter](#)

⚠ WARNING: Before working inside your computer, read the safety information that shipped with your computer. For additional safety best practices information, see the Regulatory Compliance Homepage at www.dell.com/regulatory_compliance.

Removing the Inverter

1. Follow the procedures in [Before You Begin](#).
2. Remove the computer cover (see [Removing the Computer Cover](#)).
3. Remove the shield (see [Removing the Shield](#)).
4. Remove the stand (see [Removing the Stand](#)).
5. Remove the back I/O panel (see [Removing the Back I/O Panel](#)).
6. Remove the processor fan and heat sink (see [Removing the Heat Sink](#) and [Removing the Processor Fan](#)).
7. Remove the right speaker (see [Removing the Right Speaker](#)).
8. Remove the optical drive (see [Removing the Optical Drive](#)).
9. Remove the two screws that secure the inverter to the chassis.
10. Disconnect the inverter cable from the inverter.
11. Disconnect the two cables that connect the inverter to the LCD panel.
12. Lift the inverter out of the chassis.



1	screws (2)	2	cables to the LCD panel (2)
3	inverter cable		

Replacing the Inverter

1. Follow the procedures in [Before You Begin](#).
 2. To replace the inverter, connect the two cables from the LCD panel to the inverter.
 3. Connect the inverter cable to the system board connector (INVERTER).
 4. Replace the two screws that secure the inverter to the chassis.
 5. Replace the optical drive (see [Replacing the Optical Drive](#)).
 6. Replace the right speaker (see [Replacing the Right Speaker](#)).
 7. Replace the processor fan and heat sink (see [Replacing the Heat Sink](#) and [Replacing the Processor Fan](#)).
 8. Replace the back I/O panel (see [Replacing the Back I/O Panel](#)).
 9. Replace the stand (see [Replacing the Stand](#)).
 10. Replace the shield (see [Replacing the Shield](#)).
 11. Replace the computer cover ([Computer Cover](#)).
-

[Back to Contents Page](#)

Back I/O Panel

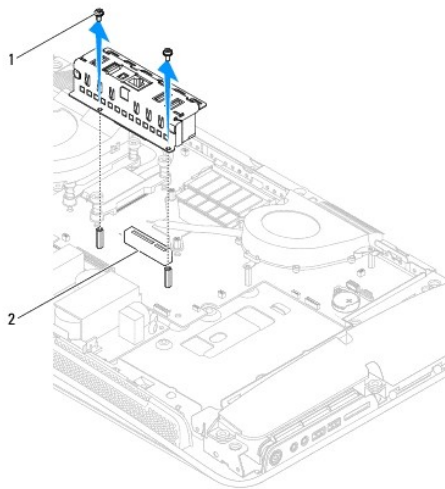
Dell Studio One 19/1909 Service Manual

- [Removing the Back I/O Panel](#)
- [Replacing the Back I/O Panel](#)

⚠ WARNING: Before working inside your computer, read the safety information that shipped with your computer. For additional safety best practices information, see the Regulatory Compliance Homepage at www.dell.com/regulatory_compliance.

Removing the Back I/O Panel

1. Follow the procedures in [Before You Begin](#).
2. Remove the computer cover (see [Removing the Computer Cover](#)).
3. Remove the shield (see [Removing the Shield](#)).
4. Remove the stand (see [Removing the Stand](#)).
5. Remove the two screws that secure the back I/O panel to the system board.
6. Lift the back I/O panel away from the system board.



1	screws (2)	2	back I/O panel connector
---	------------	---	--------------------------

Replacing the Back I/O Panel

1. Follow the procedures in [Before You Begin](#).
2. Slide the back I/O panel into the connector (PCI_E_4X_1) on the system board until it is securely in place.
3. Replace the two screws that secure the back I/O panel to the system board.
4. Replace the stand (see [Replacing the Stand](#)).
5. Replace the shield (see [Replacing the Shield](#)).

6. Replace the computer cover (see [Replacing the Computer Cover](#)).
7. Connect your computer and all attached devices to electrical outlets, and turn them on.

[Back to Contents Page](#)

Memory Module(s)

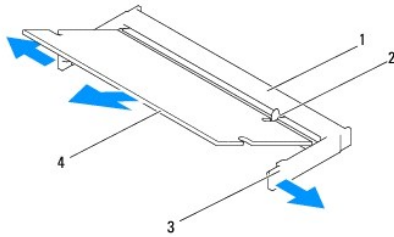
Dell Studio One 19/1909 Service Manual

- [Removing Memory Module\(s\)](#)
- [Replacing Memory Module\(s\)](#)

WARNING: Before working inside your computer, read the safety information that shipped with your computer. For additional safety best practices information, see the Regulatory Compliance Homepage at www.dell.com/regulatory_compliance.

Removing Memory Module(s)


1. Follow the procedures in [Before You Begin](#).
2. Remove the computer cover (see [Removing the Computer Cover](#)).
3. Remove the shield (see [Removing the Shield](#)).
4. To remove the memory module, push apart the securing clips on the memory module connector until the module pops up.



1	memory module connector	2	tab
3	securing clips (2)	4	memory module

Replacing Memory Module(s)

CAUTION: If the memory module is not installed properly, the computer may not boot.

1. Follow the procedures in [Before You Begin](#).
2. Align the notch of the memory module with the tab on the memory module connector.
3. Slide the module firmly into the slot at a 45-degree angle, and press the module down until it clicks into place.
If you do not hear the click, remove the module and reinstall it.
4. Replace the shield (see [Replacing the Shield](#)).
5. Replace the computer cover (see [Replacing the Computer Cover](#)).
6. Connect your computer and all attached devices to electrical outlets, and then turn them on.
7. When the message appears stating that memory size has changed, press <F1> to continue.
8. Log on to your computer.
9. To verify that the memory is installed correctly, click  → **Control Panel** → **System**.

10. Check the amount of memory (RAM) listed.

[Back to Contents Page](#)

Microphone

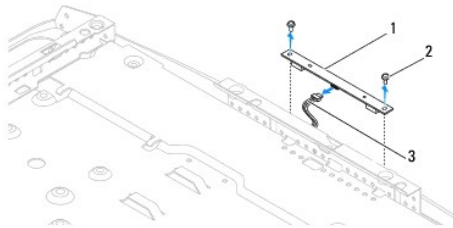
Dell Studio One 19/1909 Service Manual

- [Removing the Microphone](#)
- [Replacing the Microphone](#)

⚠ WARNING: Before working inside your computer, read the safety information that shipped with your computer. For additional safety best practices information, see the Regulatory Compliance Homepage at www.dell.com/regulatory_compliance.

Removing the Microphone

1. Follow the procedures in [Before You Begin](#).
2. Remove the computer cover (see [Removing the Computer Cover](#)).
3. Remove the shield (see [Removing the Shield](#)).
4. Remove the two screws that secure the microphone to the support assembly.
5. Disconnect the cable from the microphone.
6. Lift the microphone away from the support assembly.



1	microphone	2	screws (2)
3	microphone cable		

Replacing the Microphone

1. Follow the procedures in [Before You Begin](#).
 2. Reconnect the cable to the microphone.
 3. Replace the two screws that secure the microphone to the system assembly.
 4. Replace the shield (see [Replacing the Shield](#)).
 5. Replace the computer cover (see [Replacing the Computer Cover](#)).
 6. Connect your computer and all attached devices to electrical outlets, and turn them on.
-

Processor

Dell Studio One 19/1909 Service Manual

- [Removing the Processor](#)
- [Replacing the Processor](#)

WARNING: Before working inside your computer, read the safety information that shipped with your computer. For additional safety best practices information, see the Regulatory Compliance Homepage at www.dell.com/regulatory_compliance.

CAUTION: Do not perform the following steps unless you are familiar with hardware removal and replacement. Performing these steps incorrectly could damage your system board. For technical service information, see the *Setup Guide*.

Removing the Processor

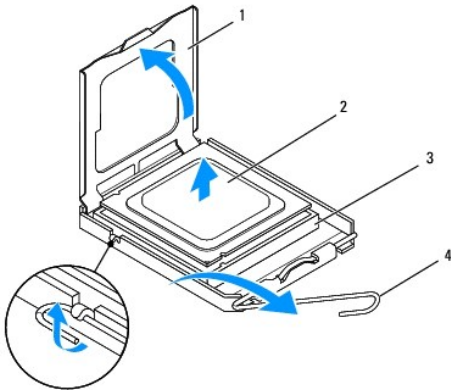
1. Follow the procedures in [Before You Begin](#).
2. Remove the computer cover (see [Removing the Computer Cover](#)).
3. Remove the shield (see [Removing the Shield](#)).
4. Remove the stand (see [Removing the Stand](#)).
5. Remove the back I/O panel (see [Removing the Back I/O Panel](#)).

WARNING: The heat sink may be very hot during normal operation. Be sure that it has had sufficient time to cool before you touch it.

6. Remove the processor heat sink (see [Removing the Heat Sink](#)).

NOTE: Unless a new heat sink is required for the new processor, reuse the original heat sink when you replace the processor.

7. Press and push the release lever down and out to release it from the tab that secures it.
8. Open the processor cover.



1	processor cover	2	processor
3	processor socket	4	release lever

CAUTION: When removing or replacing the processor, do not touch any of the pins inside the socket or allow any objects to fall on the pins in the socket.

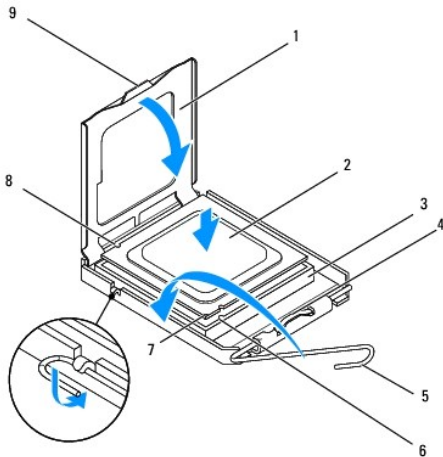
9. Lift up the processor to remove it from the socket, place it aside in a safe and secure place.
-

Replacing the Processor

1. Follow the procedures in [Before You Begin](#).
2. Lift the release lever to the release position so that the socket is ready for the new processor.

CAUTION: Ground yourself by touching an unpainted metal surface or the computer stand.

3. Unpack the new processor.



1	processor cover	2	processor
3	processor socket	4	center cover latch
5	release lever	6	front alignment notch
7	processor pin-1 indicator	8	rear alignment notch
9	tab		

4. If the release lever on the socket is not fully extended, move it to that position.

CAUTION: Socket pins are delicate. To avoid damage, ensure that the processor is aligned properly with the socket, and do not use excessive force when you install the processor. Be careful not to touch or bend the pins on the system board.

CAUTION: You must position the processor correctly in the socket to avoid permanent damage to the processor.

5. Orient the front and rear alignment notches on the processor with the front and rear alignment notches on the socket.
6. Align the pin-1 corners of the processor and socket.
7. Place the processor lightly in the socket and ensure that the processor is positioned correctly.
8. When the processor is fully seated in the socket, close the processor cover.


Ensure that the tab on the processor cover is positioned underneath the center cover latch on the socket.

9. Pivot the socket release lever back towards the socket, and snap it into place to secure the processor.

10. Clean the thermal grease from the bottom of the heat sink.

CAUTION: Ensure that you apply new thermal grease. New thermal grease is critical for ensuring adequate thermal bonding, which is a requirement for optimal processor operation.

11. Apply the new thermal grease to the top of the processor.

 **CAUTION:** Ensure that the processor heat sink is correctly seated and secure.

12. Replace the processor heat sink (see [Replacing the Heat Sink](#)).

13. Replace the back I/O panel (see [Replacing the Back I/O Panel](#)).

14. Replace the stand (see [Replacing the Stand](#)).

15. Replace the shield (see [Replacing the Shield](#)).

16. Replace the computer cover (see [Replacing the Computer Cover](#)).

17. Connect your computer and all attached devices to electrical outlets, and then turn them on.

[Back to Contents Page](#)

Power Supply Unit

Dell Studio One 19/1909 Service Manual

- [Removing the Power Supply Unit](#)
- [Replacing the Power Supply Unit](#)

⚠ WARNING: Before working inside your computer, read the safety information that shipped with your computer. For additional safety best practices information, see the Regulatory Compliance Homepage at www.dell.com/regulatory_compliance.

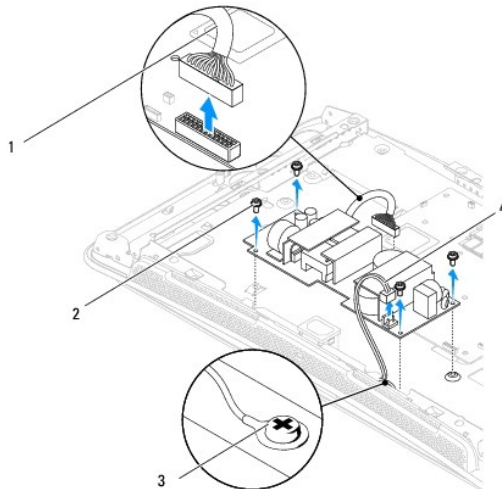
⚠ WARNING: To guard against likelihood of electric shock, laceration by moving fan blades or other unexpected injuries, always unplug your computer from the electrical outlet before removing the computer cover.

⚠ WARNING: Ensure that the part number of the replacement power supply unit matches that of the current power supply unit.

⚠ CAUTION: Do not perform the following steps unless you are familiar with hardware removal and replacement. Performing these steps incorrectly could damage your computer. For technical assistance, see the *Setup Guide*.

Removing the Power Supply Unit

1. Follow the procedures in [Before You Begin](#).
2. Remove the computer cover (see [Removing the Computer Cover](#)).
3. Remove the shield (see [Removing the Shield](#)).
4. Remove the stand (see [Removing the Stand](#)).
5. Disconnect the power plug cable from the power supply unit.
6. Disconnect the power supply unit cable from the connector (ATX_POWER1) on the system board.
7. Remove the four screws that secure the power supply unit to the chassis.




1	power supply unit cable	2	screws (4)
3	protective grounding cable screw	4	power plug cable

8. Place the power supply unit in a secure location.

Replacing the Power Supply Unit

1. Follow the procedures in [Before You Begin](#).
2. Replace the four screws that secure the power supply unit to the chassis.
3. Connect the power supply unit cable to the connector (ATX_POWER1) on the system board.
4. Connect the power plug cable to the power supply unit.

 **WARNING:** Ensure that the protective grounding cable screw is secure.

5. Replace the stand (see [Replacing the Stand](#)).
6. Replace the shield (see [Replacing the Shield](#)).
7. Replace the computer cover (see [Replacing the Computer Cover](#)).

[Back to Contents Page](#)

[Back to Contents Page](#)

Shield

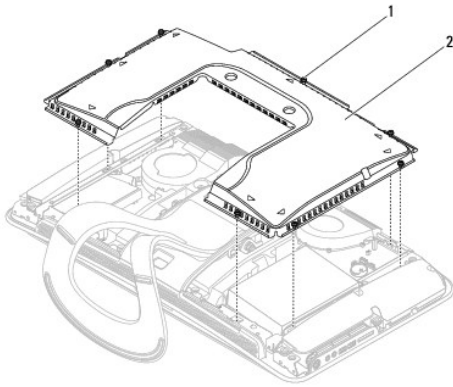
Dell Studio One 19/1909 Service Manual

- [Removing the Shield](#)
- [Replacing the Shield](#)

⚠ WARNING: Before working inside your computer, read the safety information that shipped with your computer. For additional safety best practices information, see the Regulatory Compliance Homepage at www.dell.com/regulatory_compliance.

Removing the Shield

1. Follow the procedures in [Before You Begin](#).
2. Remove the computer cover (see [Removing the Computer Cover](#)).
3. To remove the shield loosen the eight captive screws that secure the shield to the computer.



1	captive screws (8)	2	shield
---	--------------------	---	--------

Replacing the Shield

1. Follow the procedures in [Before You Begin](#).
 - ☑ **NOTE:** Before replacing the shield, ensure that all the cables are connected and that no tools or extra parts (including screws) are left inside the computer.
 2. Position the shield over the computer and tighten the eight captive screws.
 3. Replace the computer cover (see [Replacing the Computer Cover](#)).
-

[Back to Contents Page](#)

Side I/O Panel

Dell Studio One 19/1909 Service Manual

- [Removing the Side I/O Panel](#)
- [Replacing the Side I/O Panel](#)

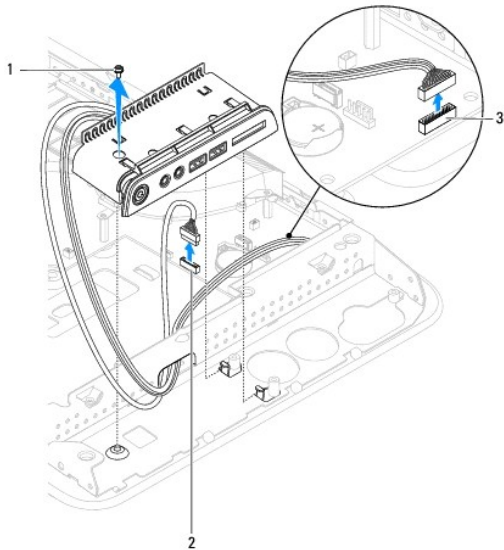
WARNING: Before working inside your computer, read the safety information that shipped with your computer. For additional safety best practices information, see the Regulatory Compliance Homepage at www.dell.com/regulatory_compliance.

Removing the Side I/O Panel

1. Follow the procedures in [Before You Begin](#).
2. Remove the computer cover (see [Removing the Computer Cover](#)).
3. Remove the shield (see [Removing the Shield](#)).
4. Remove the stand (see [Removing the Stand](#)).
5. Remove the left speaker (see [Removing the Left Speaker](#)).
6. Remove the hard drive (see [Removing the Hard Drive](#)).
7. Remove the screw that secures the side I/O panel to the chassis.
8. Lift and pull the side I/O panel from the clamps

NOTE: Make note of the cable routing before you dislodge the cables.

9. Disconnect the cables from the connectors (F_AUDIO and SIDE_BOARD_1) on the system board.
10. Slide the side I/O panel away from the clamps and place it in a secure location.



1	screw	2	connector (F_AUDIO)
3	connector (SIDE_BOARD_1)		

Replacing the Side I/O Panel

1. Follow the procedures in [Before You Begin](#).
 2. To replace the side I/O panel, route the cables back into position and connect them to the connectors (F_AUDIO and SIDE_BOARD_1) on the system board.
 3. Slide the side I/O panel towards the clamps until it is firmly seated.
 4. Replace the screw that secures the side I/O panel to the chassis.
 5. Replace the hard drive (see [Replacing the Hard Drive](#)).
 6. Replace the left speaker (see [Replacing the Left Speaker](#)).
 7. Replace the stand (see [Replacing the Stand](#)).
 8. Replace the shield (see [Replacing the Shield](#)).
 9. Replace the computer cover (see [Replacing the Computer Cover](#)).
-

[Back to Contents Page](#)

Speakers

Dell Studio One 19/1909 Service Manual

- [Removing the Right Speaker](#)
- [Replacing the Right Speaker](#)
- [Removing the Left Speaker](#)
- [Replacing the Left Speaker](#)

⚠ WARNING: Before working inside your computer, read the safety information that shipped with your computer. For additional safety best practices information, see the Regulatory Compliance Homepage at www.dell.com/regulatory_compliance.

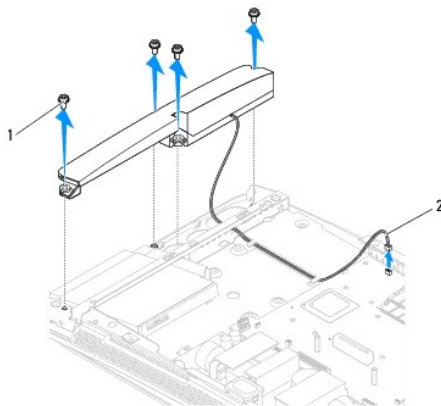
Removing the Right Speaker

🔧 NOTE: To locate the right speaker, see [Inside View of Your Studio One](#).

1. Follow the procedures in [Before You Begin](#).
2. Remove the computer cover (see [Removing the Computer Cover](#)).
3. Remove the shield (see [Removing the Shield](#)).
4. Remove the stand (see [Removing the Stand](#)).
5. Remove the processor fan and heat sink (see [Removing the Heat Sink](#) and [Removing the Processor Fan](#)).
6. Remove the four screws that secure the speaker to the chassis.

🔧 NOTE: Make a note of the cable routing before you dislodge the cable.

7. Disconnect the right speaker cable from the connector (SPEAKER_2) on the system board.



1	screws (4)	2	speaker cable
---	------------	---	---------------


8. Lift the speaker away from the chassis.
-

Replacing the Right Speaker


1. Follow the procedures in [Before You Begin](#).

2. To replace the speaker, route the speaker cables back into position.
 3. Connect the right speaker cable to the connector (SPEAKER_2) on the system board.
 4. Place the speaker in position and replace the four screws that secure the speaker to the chassis.
 5. Replace the processor fan and heat sink (see [Replacing the Heat Sink](#) and [Replacing the Processor Fan](#)).
 6. Replace the stand (see [Replacing the Stand](#)).
 7. Replace the shield (see [Replacing the Shield](#)).
 8. Replace the computer cover (see [Replacing the Computer Cover](#)).
 9. Connect your computer and all attached devices to electrical outlets, and turn them on.
-

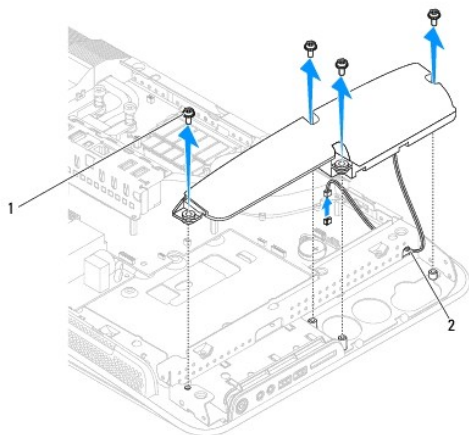
Removing the Left Speaker

 **NOTE:** To locate the left speaker, see [Inside View of Your Studio One](#).

1. Follow the procedures in [Before You Begin](#).
2. Remove the computer cover (see [Removing the Computer Cover](#)).
3. Remove the shield (see [Removing the Shield](#)).
4. Remove the four screws that secure the speaker to the chassis.

 **NOTE:** Make a note of the cable routing before you dislodge the cable.

5. Disconnect the left speaker cable from the connector (SPEAKER_1) on the system board.



1	screws (4)	2	speaker cable
---	------------	---	---------------

6. Lift the speaker away from the system board.
-

Replacing the Left Speaker

1. Follow the procedures in [Before You Begin](#).
2. To replace the speaker, route the cables back into position.

3. Reconnect the left speaker cable to the connector (SPEAKER_1) on the system board.
 4. Replace the four screws that secure the speaker to the chassis.
 5. Replace the shield (see [Replacing the Shield](#)).
 6. Replace the computer cover (see [Replacing the Computer Cover](#)).
-

[Back to Contents Page](#)

Stand

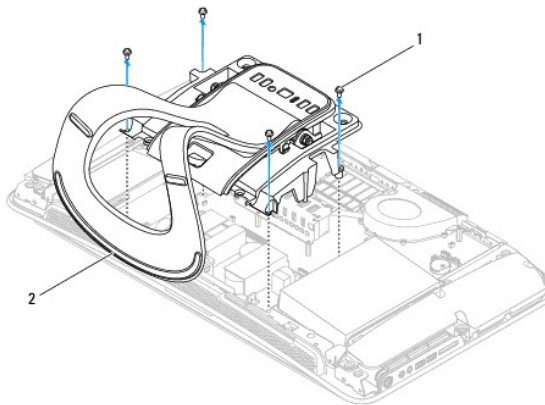
Dell Studio One 19/1909 Service Manual

- [Removing the Stand](#)
- [Replacing the Stand](#)

⚠ WARNING: Before working inside your computer, read the safety information that shipped with your computer. For additional safety best practices information, see the Regulatory Compliance Homepage at www.dell.com/regulatory_compliance.

Removing the Stand

1. Follow the procedures in [Before You Begin](#).
2. Remove the computer cover (see [Removing the Computer Cover](#)).
3. Remove the shield (see [Removing the Shield](#)).
4. Remove the four screws securing the stand.
5. Lift the stand away from the computer.



1	screws (4)	2	stand
---	------------	---	-------

Replacing the Stand

1. Follow the procedures in [Before You Begin](#).
 - 🔍 **NOTE:** Ensure that you remove the labels from the existing stand and fix them on the new stand.
 2. To replace the stand, align the screw holes on the stand with the screw holes on the chassis.
 3. Replace the four screws that secure the stand.
 4. Replace the shield ([Replacing the Shield](#)).
 5. Replace the computer cover (see [Replacing the Computer Cover](#)).
-

System Board

Dell Studio One 19/1909 Service Manual

- [Removing the System Board](#)
- [Replacing the System Board](#)

WARNING: Before working inside your computer, read the safety information that shipped with your computer. For additional safety best practices information, see the Regulatory Compliance Homepage at www.dell.com/regulatory_compliance.

CAUTION: To avoid electrostatic discharge, ground yourself by using a wrist grounding strap or by periodically touching an unpainted metal surface (such as the stand).

The system board's BIOS chip contains the Service Tag, which is also visible on a barcode label on the computer. The replacement kit for the system board includes a CD that provides a utility for transferring the Service Tag to the replacement system board.

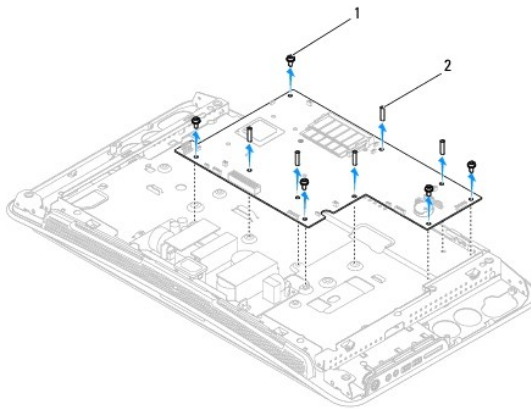
CAUTION: Handle components and cards by their edges, and avoid touching pins and contacts.

Removing the System Board

1. Follow the instructions in [Before You Begin](#).
2. Remove the computer cover (see [Removing the Computer Cover](#)).
3. Remove the shield (see [Removing the Shield](#)).
4. Remove the stand (see [Removing the Stand](#)).
5. Remove the back I/O panel (see [Removing the Back I/O Panel](#)).
6. Remove the processor fan and heat sink (see [Removing the Processor Fan](#) and [Removing the Heat Sink](#)).
7. Remove the system fan and heat sink assembly (see [Removing the System Fan and Heat Sink Assembly](#)).

NOTE: Make note of the cable routing before disconnecting the cables from the system board.

8. Disconnect all the cables connected the system board.
9. Remove the five screws that secure the system board to the chassis.
10. Remove the five M2.5 x 5-mm screws that secure the system board to the chassis.




1	screws (5)	2	M2.5 x 5-mm screws (5)
---	------------	---	------------------------

11. Lift the system board out of the chassis.
-

Replacing the System Board

1. Follow the instructions in [Before You Begin](#).
2. To replace the system board place the system board back in the chassis.
3. Replace the five M2.5 x 5-mm screws that secure the system board to the chassis.
4. Replace the five screws that secure the system board to the chassis.
5. Reconnect the cables to the system board.
6. Replace the system fan and heat sink assembly (see [Replacing the System Fan and Heat Sink Assembly](#)).
7. Replace the processor fan and heat sink (see [Replacing the Processor Fan](#) and [Replacing the Heat Sink](#)).
8. Replace the back I/O panel (see [Replacing the Back I/O Panel](#)).
9. Replace the stand (see [Replacing the Stand](#)).
10. Replace the shield (see [Replacing the Shield](#)).
11. Replace the computer cover (see [Replacing the Computer Cover](#)).

 **CAUTION:** Before turning on the computer, replace all screws and ensure that no stray screws remain inside the computer. Failure to do so may result in damage to the computer.

12. Turn on the computer.

 **NOTE:** After you have replaced the system board, enter the computer Service Tag in the BIOS of the replacement system board.

13. Insert the CD that accompanied the replacement system board into the appropriate drive. Follow the instructions that appear on the screen.
-

[Back to Contents Page](#)

System Fan and Heat Sink Assembly

Dell Studio One 19/1909 Service Manual

- [Removing the System Fan and Heat Sink Assembly](#)
- [Replacing the System Fan and Heat Sink Assembly](#)

⚠ WARNING: Before working inside your computer, read the safety information that shipped with your computer. For additional safety best practices information, see the Regulatory Compliance Homepage at www.dell.com/regulatory_compliance.

⚠ WARNING: Do not touch the fan when the computer is powered on.

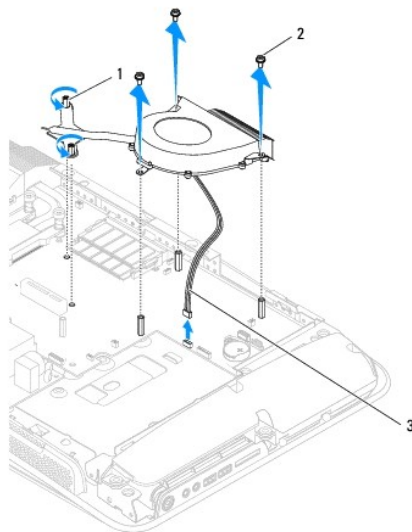
⚠ CAUTION: Do not perform the following steps unless you are familiar with hardware removal and replacement. Performing these steps incorrectly could damage your system board. For technical service information, see the *Setup Guide*.

Removing the System Fan and Heat Sink Assembly

1. Follow the procedures in [Before You Begin](#).
2. Remove the computer cover (see [Removing the Computer Cover](#)).
3. Remove the shield (see [Removing the Shield](#)).
4. Remove the stand (see [Replacing the Stand](#)).
5. Remove the back I/O panel (see [Removing the Back I/O Panel](#)).
6. Remove the three screws securing the system fan to the system board.

⚠ CAUTION: The heat sink assembly may be very hot during normal operation. Be sure that it has had sufficient time to cool before you touch it.

7. Loosen the two captive screws securing the heat sink to the system board.
8. Slide and lift the system fan away from the frame of the computer.
9. Disconnect the system fan cable from the connector (SYS_FAN1) on the system board.



1	heat sink captive screws (2)	2	system fan screws (3)
3	system fan cable		

10. Lift the assembly away from the system board and place it in a secure location.
-

Replacing the System Fan and Heat Sink Assembly

1. Follow the procedures in [Before You Begin](#).
 2. To replace the system fan and heat sink assembly, connect the system fan cable to the connector (SYS_FAN1) on the system board.
 3. Tighten the two captive screws securing the heat sink to the system board.
 4. Replace the three screws securing the system fan to the system board.
 5. Replace the back I/O panel (see [Replacing the Back I/O Panel](#)).
 6. Replace the stand (see [Replacing the Stand](#)).
 7. Replace the shield (see [Replacing the Shield](#)).
 8. Replace the computer cover (see [Replacing the Computer Cover](#)).
-

[Back to Contents Page](#)

System Setup


Dell Studio One 19/1909 Service Manual


- [Overview](#)
- [Clearing Forgotten Passwords](#)
- [Clearing CMOS Settings](#)
- [Flashing the BIOS](#)

Overview

Use system setup to:


- 1 Change the system configuration information after you add, change, or remove any hardware in your computer
- 1 Set or change a user-selectable option such as the user password
- 1 Read the current amount of memory or set the type of hard drive installed

 **CAUTION:** Unless you are an expert computer user, do not change the settings for this program. Certain changes can make your computer work incorrectly.

 **NOTE:** Before you change system setup, it is recommended that you write down the system setup screen information for future reference.

Entering System Setup

1. Turn on (or restart) your computer.
2. When the blue DELL™ logo is displayed, watch for the F2 prompt to appear and then press <F2> immediately.


 **NOTE:** The F2 prompt indicates that the keyboard has initialized. This prompt can appear very quickly, so you must watch for it to display, and then press <F2>. If you press <F2> before you are prompted, this keystroke will be lost. If you wait too long and the operating system logo appears, continue to wait until you see the Microsoft® Windows® desktop. Then, shut down your computer (see [Turning Off Your Computer](#)) and try again.

System Setup Screens

The system setup screen displays current or changeable configuration information for your computer. Information on the screen is divided into three areas: the options list, active options field, and key functions.

<p>Options List — This field appears on the left side of the system setup window. The field is a scrollable list containing features that define the configuration of your computer, including installed hardware, power conservation, and security features.</p> <p>Scroll up and down the list with the up- and down-arrow keys. As an option is highlighted, the Options Field displays more information about that option and the option's current and available settings.</p>	<p>Options Field — This field appears on the right side of the system setup window and contains information about each option listed in the Options List. In this field you can view information about your computer and make changes to your current settings.</p> <p>Press the up-arrow and down-arrow keys to highlight an option. Press <Enter> to make that selection active and return to the Options List.</p> <p>NOTE: Not all settings listed in the Options Field are changeable.</p>
<p>Key Functions — This field appears below the Options Field and lists keys and their functions within the active system setup field.</p>	

System Setup Options

 **NOTE:** Depending on your computer and installed devices, the items listed in this section may appear, or may not appear exactly as listed.

System Info	
Bios Info	Displays the BIOS version number.
System	Displays the system name.
Service Tag	Displays the service tag of the computer.
Processor Type	Displays processor information
CPU Speed	Displays the processor speed.
Processor L1 Cache	Displays the processor L1 cache size.


Processor L2 Cache	Displays the processor L2 cache size.
Memory Installed	Indicates the amount of installed memory in MB.
Memory Available	Indicates the amount of memory available in MB.
Memory Speed	Indicates the memory speed in MHz.
Standard CMOS Features	
System Time	Displays current time in hh:mm:ss format.
System Date	Displays the current date in mm:dd:yy format.
AHCI Port0	Auto detects IDE devices in port 0.
AHCI Port1	Auto detects IDE devices in port 1.
Advanced BIOS Features	
CPU Feature	Describes type of processor.
USB Device Setting	Enable or disable the USB controller /Set the operational USB speed.
Advanced Chipset Features	
Onboard Audio Controller	Allows you to enable or disable the audio controller.
SATA Mode select	Allows you to switch between AHCI and IDE.
Onboard LAN Controller	Allows you to enable or disable onboard Broadcom network controller.
Onboard LAN Boot ROM	Allows you to enable or disable ROM for Broadcom PCI E Network Controller.
Boot Device Configuration	
Boot Settings Configuration	Enable or disable fast boot and Numlock key.
Hard Disk Boot Priority	Sets the hard drive boot priority. The items displayed are dynamically updated according to the hard drives detected.
1st Boot Device	Specifies the boot sequence from the available devices. Removable; CD/DVD; Hard Drive; Disabled (Removable by default).
2nd Boot Device	Specifies the boot sequence from the available devices. Removable; CD/DVD; Hard Drive; Disabled (CD/DVD by default).
3rd Boot Device	Specifies the boot sequence from the available devices. Removable; CD/DVD; Hard Drive; Disabled (CD/DVD by default).
Boot Other Device	Allows you to boot through any other device.
Power Management Features	
ACPI Suspend Type	Specifies the suspend type. The default is S3.
CLE Support	This option allows you to enable or disable the "Enhanced Halt State".
Remote Wake Up	This option turns on the computer when a user tries to access the computer through the LAN. The default is Enabled.
AC Recovery	
Auto Power On	Enables you to set an alarm to turn on the computer automatically. The default is Disabled.
BIOS Security Features	
Supervisor Password	Status of supervisor password installed.
User Password	Status of user password installed.
Set Supervisor Password	Allows to set the desired supervisor password.
Exit	
Exit Options	Provides options to Load Optimal Default , Save and Exit Setup , and Exit Without Saving .

Boot Sequence

This feature allows you to change the boot sequence for devices.

Boot Options

1. **Hard Drive** — The computer attempts to boot from the primary hard drive. If no operating system is on the drive, the computer generates an error message.
1. **CD/DVD Drive** — The computer attempts to boot from the CD/DVD drive. If no CD/DVD is in the drive, or if the CD/DVD has no operating system, the computer generates an error message.
1. **USB Flash Device** — Insert the memory device into a USB port and restart the computer. When **F12 = Boot Menu** appears in the upper-right corner of the screen, press <F12>. The BIOS detects the device and adds the USB flash option to the boot menu.

 **NOTE:** To boot to a USB device, the device must be bootable. To ensure that your device is bootable, check the device documentation.

Changing Boot Sequence for the Current Boot

You can use this feature to change the current boot sequence, for example, to boot from the CD/DVD drive to run the Dell Diagnostics on the *Drivers and Utilities* media. On completion of diagnostic tests, the previous boot sequence is restored.

1. If you are booting to a USB device, connect the USB device to a USB connector.
2. Turn on (or restart) your computer.
3. When **F2 = Setup**, **F12 = Boot Menu** appears in the upper-right corner of the screen, press <F12>.

If you wait too long and the operating system logo appears, continue to wait until you see the Microsoft Windows desktop. Then shut down your computer and try again.

The **Boot Device Menu** appears, listing all available boot devices. Each device has a number next to it.


4. On the **Boot Device Menu** choose the device you want to boot from.

For example, if you are booting to a USB memory key, highlight **USB Flash Device** and press <Enter>.

 **NOTE:** To boot to a USB device, the device must be bootable. To ensure your device is bootable, check the device documentation.


Changing Boot Sequence for Future Boots

1. Enter system setup (see [Entering System Setup](#)).
2. Use the arrow keys to highlight the **Boot Device Configuration** menu option and press <Enter> to access the menu.

 **NOTE:** Write down your current boot sequence in case you want to restore it.

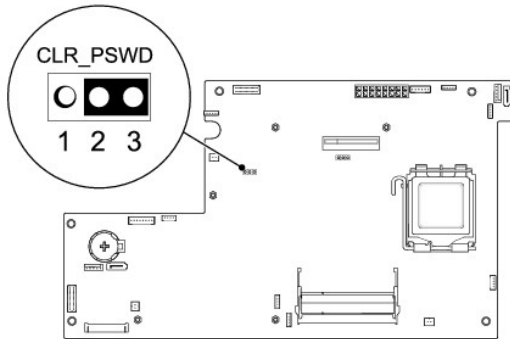
3. Press the up- and down-arrow keys to move through the list of devices.
4. Press plus (+) or minus (-) to change the boot priority of the device.

Clearing Forgotten Passwords

 **WARNING:** Before you begin any of the procedures in this section, follow the safety instructions that shipped with your computer.

 **WARNING:** The computer must be disconnected from the electrical outlet to clear the password setting.

1. Follow the procedures in [Before You Begin](#).
2. Remove the computer cover (see [Removing the Computer Cover](#)).
3. Remove the shield (see [Removing the Shield](#)).
4. Remove the stand (see [Removing the Stand](#)).
5. Locate the 3-pin password connector (CLR_PSWD) on the system board (see [System Board Components](#)).



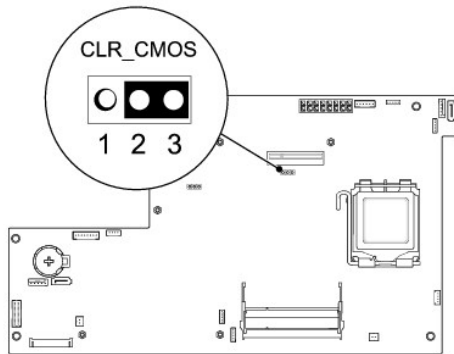
6. Remove the 2-pin jumper plug from pins 2 and 3 and fix it on pins 1 and 2.
 7. Wait for approximately five seconds to clear the password setting.
 8. Remove the 2-pin jumper plug from pins 1 and 2 and replace it on pins 2 and 3.
 9. Replace the stand (see [Replacing the Stand](#)).
 10. Replace the shield (see [Replacing the Shield](#)).
 11. Replace the computer cover (see [Replacing the Computer Cover](#)).
 12. Connect your computer and devices to electrical outlets, and turn them on.
-

Clearing CMOS Settings

⚠ WARNING: Before you begin any of the procedures in this section, follow the safety instructions that shipped with your computer.

⚠ WARNING: The computer must be disconnected from the electrical outlet to clear the CMOS setting.


1. Follow the procedures in [Before You Begin](#).
2. Remove the computer cover (see [Removing the Computer Cover](#)).
3. Removing the shield (see [Removing the Shield](#)).
4. Remove the stand (see [Removing the Stand](#)).
5. Remove the back I/O panel (see [Removing the Back I/O Panel](#)).
6. Locate the 3-pin CMOS connector (CLR_CMOS) on the system board (see [System Board Components](#)).



7. Remove the 2-pin jumper plug from pins 2 and 3 and fix it on pins 1 and 2.
 8. Wait for approximately five seconds to clear the CMOS setting.
 9. Remove the 2-pin jumper plug from pins 1 and 2 and replace it on pins 2 and 3.
 10. Replace the back I/O panel (see [Replacing the Back I/O Panel](#)).
 11. Replace the shield (see [Replacing the Shield](#)).
 12. Replace the stand (see [Replacing the Stand](#)).
 13. Replace the computer cover (see [Replacing the Computer Cover](#)).
 14. Connect your computer and devices to electrical outlets, and turn them on.
-

Flashing the BIOS


Flashing the BIOS From the Hard Drive

1. Turn on the computer.
2. Locate the BIOS update file for your computer at the Dell Support website at support.dell.com.
 **NOTE:** For non U.S. regions, choose your country/region from the drop-down list at the bottom of the Dell support website and then locate the BIOS update file for your computer.
3. Click **Download Now** to download the file.
4. If the **Export Compliance Disclaimer** window appears, click **Yes, I Accept this Agreement**.
The **File Download** window appears.
5. Click **Save this program to disk**, and then click **OK**.
The **Save In** window appears.
6. Click the down arrow to view the **Save In** menu, select **Desktop**, and then click **Save**.
The file downloads to your desktop.
7. Click **Close** when the **Download Complete** window appears.
The file icon appears on your desktop and is titled the same as the download BIOS update file.

8. Double-click the file icon on the desktop and follow the instructions on the screen.

Flashing the BIOS From a CD

1. Turn on the computer

 **NOTE:** If you use a BIOS upgrade CD to flash the BIOS, set up the computer to boot from a CD before inserting the CD.

2. Insert the BIOS upgrade CD, and restart the computer.

Follow the instructions that appear on the screen. The computer continues to boot and updates the new BIOS. When the flash update is complete, the computer will automatically reboot.

3. Press <F2> during POST to enter the system setup program.
 4. Click **Load Defaults** and click **OK** in pop-up window to reset the computer defaults.
 5. Remove the BIOS upgrade CD from the drive.
 6. Press <Esc> and click **Yes** in the pop-up window to save configuration changes.
 7. The BIOS upgrade finishes and the computer restarts automatically.
-

[Back to Contents Page](#)

[Back to Contents Page](#)

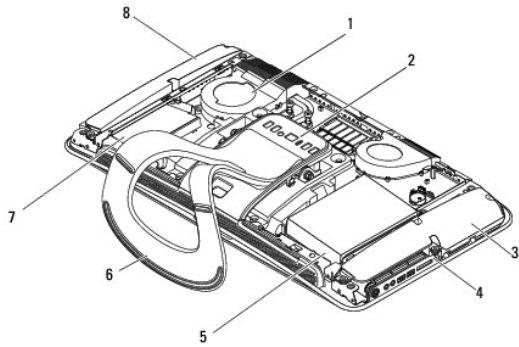
Technical Overview

Dell Studio One 19/1909 Service Manual

- [Inside View of Your Studio One](#)
- [System Board Components](#)

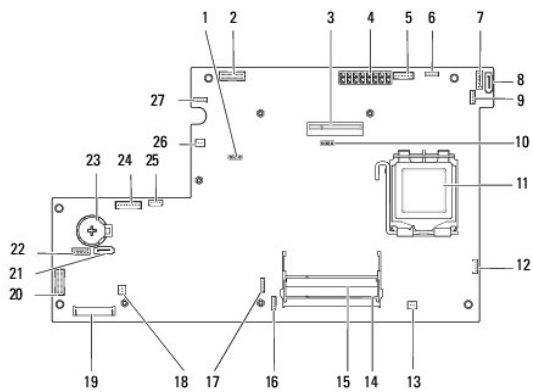
WARNING: Before working inside your computer, read the safety information that shipped with your computer. For additional safety best practices information, see the Regulatory Compliance Homepage at www.dell.com/regulatory_compliance.

Inside View of Your Studio One



1	processor fan	2	back I/O panel
3	left speaker	4	side I/O panel
5	hard drive	6	stand
7	optical drive	8	right speaker

System Board Components



1	password jumper (CLR_PSWD)	2	LCD connector (LVDS)
3	back I/O panel, PCI Express x4 connector (PCI_E_4X_1)	4	power supply unit connector (ATI_POWER1)
5	inverter connector (INVERTER)	6	touch pad connector (TOUCH_PAD)
7	optical drive connector (ODD_POWER)	8	serial ATA drive connector (SATA_2)

9	RF connector (RF_1)	10	CMOS jumper (CLR_CMOS)
11	processor	12	processor fan connector (CPU_FAN1)
13	right speaker connector (SPEAKER_2)	14	memory module connector (SODIMM1)
15	memory module connector (SODIMM2)	16	webcam connector (WEBCAM)
17	digital microphone connector (DIGITAL_MIC)	18	left speaker connector (SPEAKER_1)
19	WLAN connector (WLAN)	20	side I/O panel connector (SIDE_BOARD1)
21	serial ATA drive connector (SATA_1)	22	hard drive power connector (HDD_POWER)
23	battery socket (BAT1)	24	front audio connector (F_AUDIO)
25	system fan connector (SYS_FAN1)	26	thermal resistor connector (TEM)
27	touch panel connector (TOUCH_PANEL)		

[Back to Contents Page](#)

[Back to Contents Page](#)

Dell Studio One 19/1909 Service Manual



NOTE: A NOTE indicates important information that helps you make better use of your computer.



CAUTION: A CAUTION indicates either potential damage to hardware or loss of data and tells you how to avoid the problem.



WARNING: A WARNING indicates a potential for property damage, personal injury, or death.

Information in this document is subject to change without notice.
© 2009 Dell Inc. All rights reserved.

Reproduction of these materials in any manner whatsoever without the written permission of Dell Inc. is strictly forbidden.

Trademarks used in this text: *Dell* and the *DELL* logo are trademarks of Dell Inc.; *Microsoft*, *Windows*, *Windows Vista*, and *Windows Vista* start button logo are either trademarks or registered trademarks of Microsoft Corporation in the United States and/or other countries.

Other trademarks and trade names may be used in this document to refer to either the entities claiming the marks and names or their products. Dell Inc. disclaims any proprietary interest in trademarks and trade names other than its own.

March 2009 Rev. A00

[Back to Contents Page](#)

[Back to Contents Page](#)

Webcam

Dell Studio One 19/1909 Service Manual

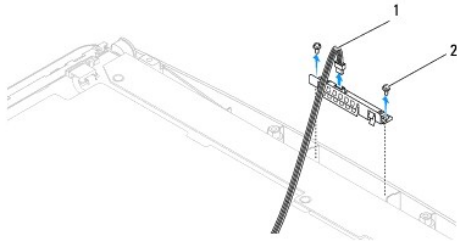
- [Removing the Webcam](#)
- [Replacing the Webcam](#)

⚠ WARNING: Before working inside your computer, read the safety information that shipped with your computer. For additional safety best practices information, see the Regulatory Compliance Homepage at www.dell.com/regulatory_compliance.

⚠ CAUTION: To avoid electrostatic discharge, ground yourself by using a wrist grounding strap or by periodically touching an unpainted metal surface (such as the computer stand).

Removing the Webcam

1. Follow the instructions in [Before You Begin](#).
2. Remove the system board (see [Removing the System Board](#)).
3. Remove the support assembly (see [Removing the Support Assembly](#)).
4. Remove the two screws that secure the webcam to the LCD panel.
5. Disconnect the cable to the webcam.
6. Lift the webcam away from the LCD panel.



1	webcam cable	2	screws (2)
---	--------------	---	------------

Replacing the Webcam

1. Follow the instructions in [Before You Begin](#).
 2. Reconnect the cable to the webcam.
 3. Replace the two screws that secure the webcam to the LCD panel.
 4. Replace the support assembly (see [Replacing the Support Assembly](#)).
 5. Replace the system board (see [Replacing the System Board](#)).
-

[Back to Contents Page](#)