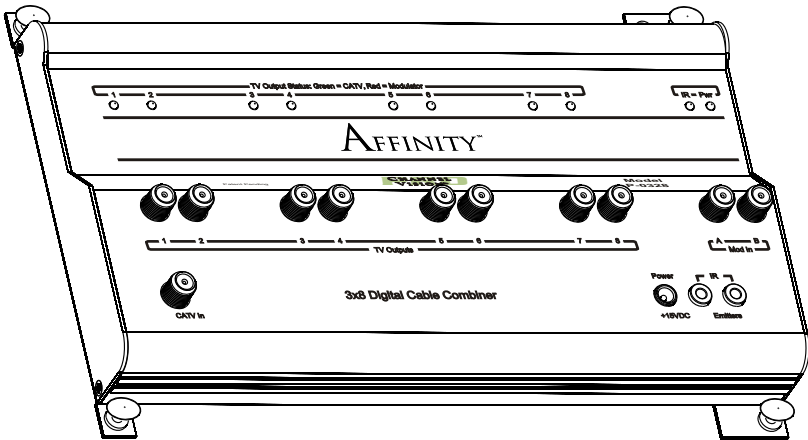


INSTRUCTIONS



AFFINITY™

P-0328

3X8 Digital Cable Combiner

CHANNEL VISION™
PRO

©2007 CHANNEL VISION TECHNOLOGY

The **P-0328** allows you to integrate modulated signals into a digital cable system without using an RF filter. This allows several modulated channels to be integrated with a full digital cable feed without requiring any digital programming to be filtered out.

Features:

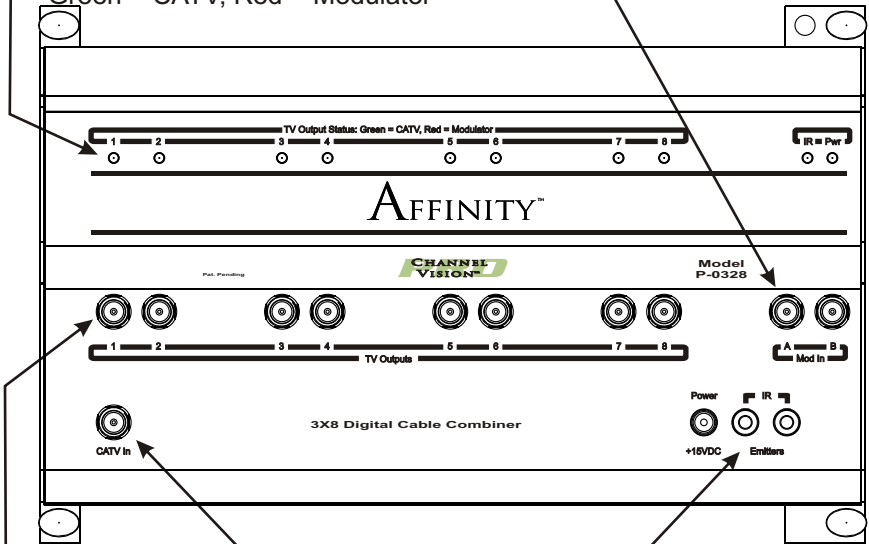
- Enables modulation with digital cable systems without using a filter
- Supports 2 modulator inputs
- Run to 8 TV outputs
- Built-in IR repeating system
- Remote control and IR coax adaptor with IR receiver included
- Easy installation

MOD Input

Connect modulator here

Output Status Indicators

Green = CATV, Red = Modulator



CATV Input

Connect the digital cable service feed here

Output

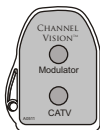
Connect TVs here

IR Out

Output for IR emitters. This can be used to control other devices

Included Accessories:

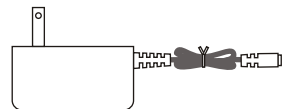
Remote Control



IR Coax Adaptor with IR receiver

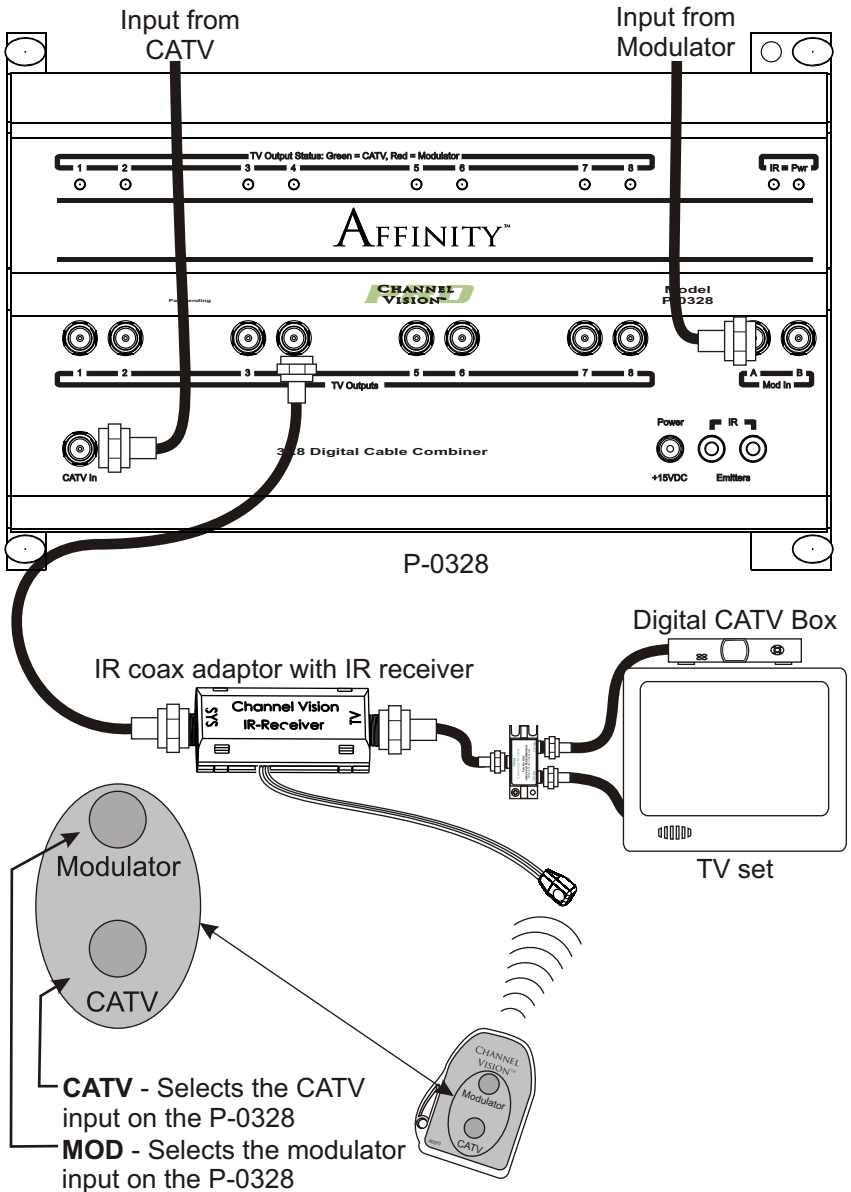


Power Supply



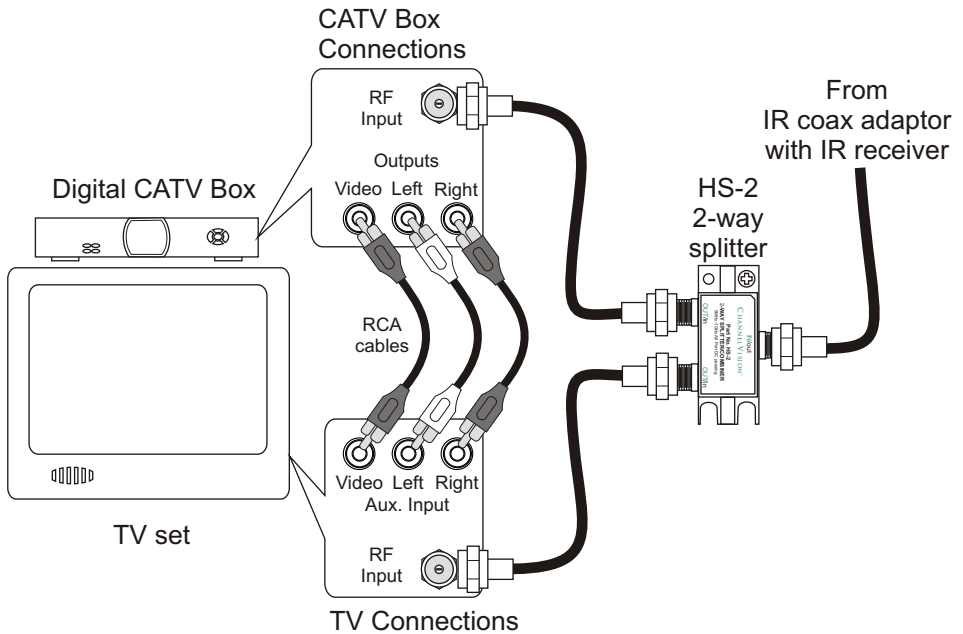
Basic Application

Connect the P-0328 as shown and locate it at the main distribution point in the house. The output of the P-0328 will send both CATV and the modulator's output to the TV location over a single coax cable. Switching between the CATV and modulator signals is simple: just point the remote at an IR receiver connected to the coax-based IR system and the IR signal will travel back to the P-0328 and change it to the desired input.



Connecting the Digital Cable Box to the TV

For best results, use a 2-way RF splitter to feed the RF inputs of the CATV box and the TV set. Then use RCA cables to connect the audio/video outputs from the CATV box to the audio/video inputs of the TV.



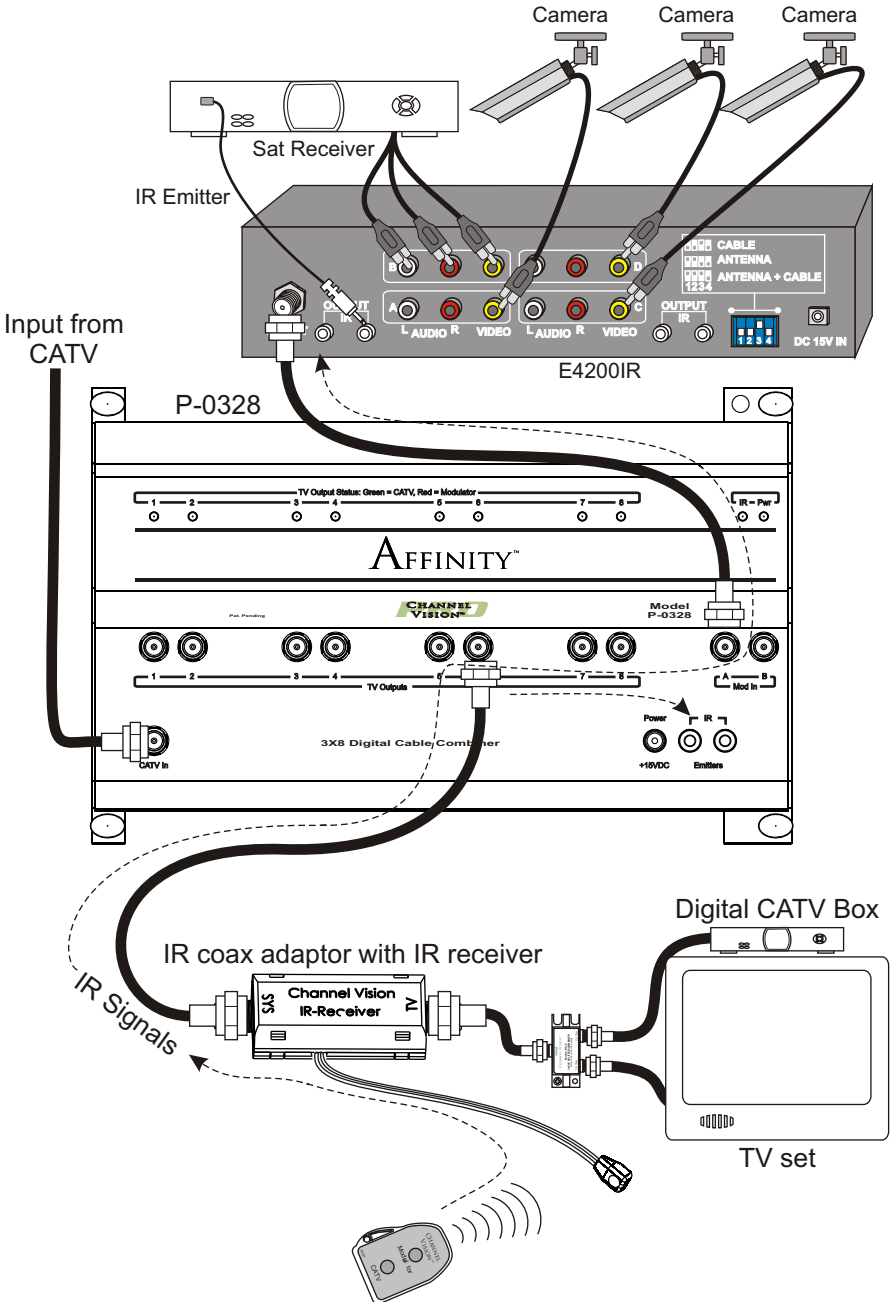
How to Use the System

To watch the CATV box, select “CATV” on the remote control and then select the A/V input on the TV.

To watch the modulated channels, select “**Modulator**” on the remote control, then select the RF input on the TV and tune to the modulated channel with the TV remote control.

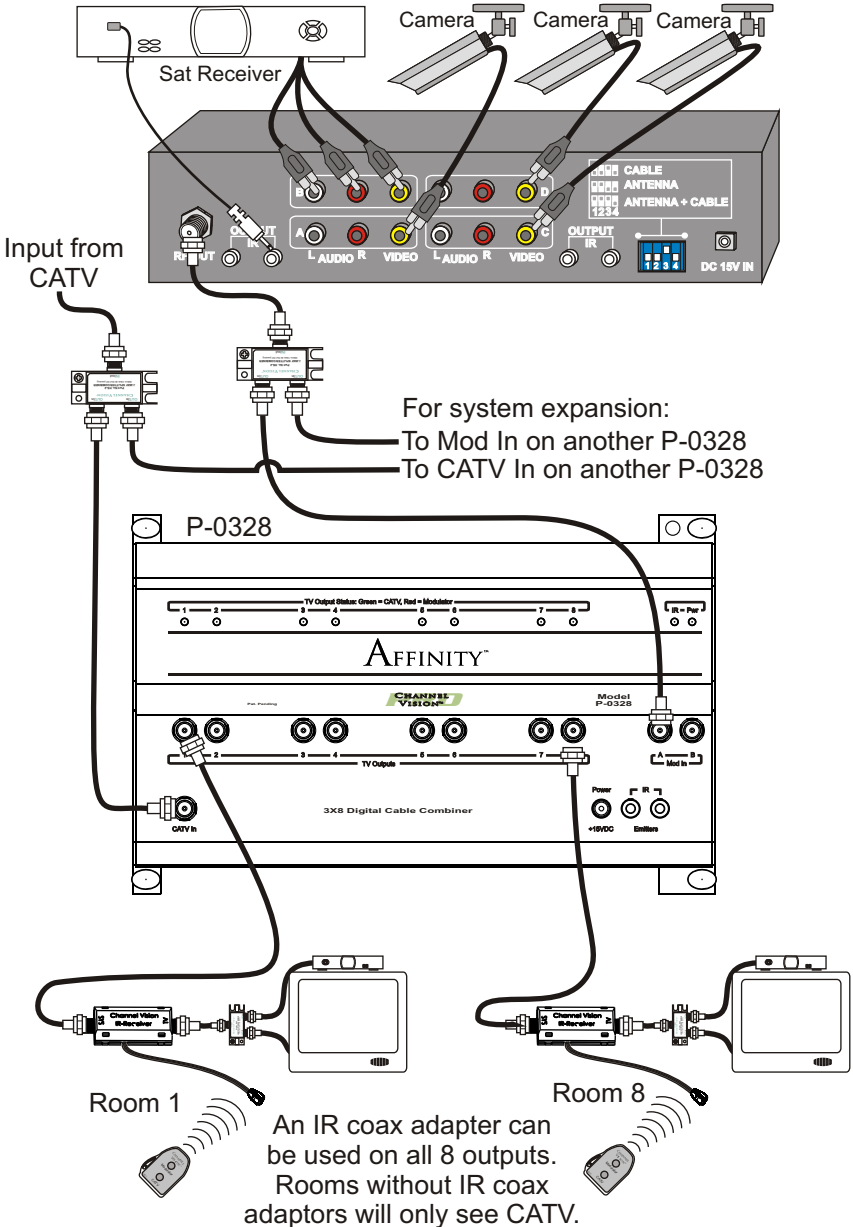
Using the P-0328 with the E-Series IR Modulators

When connected as shown below, IR signals will pass through the P-0328 and travel back to the IR emitter outputs on the E4200IR. This allows you to utilize the built-in IR repeating system to control source components such as satellite receivers and DVD players.



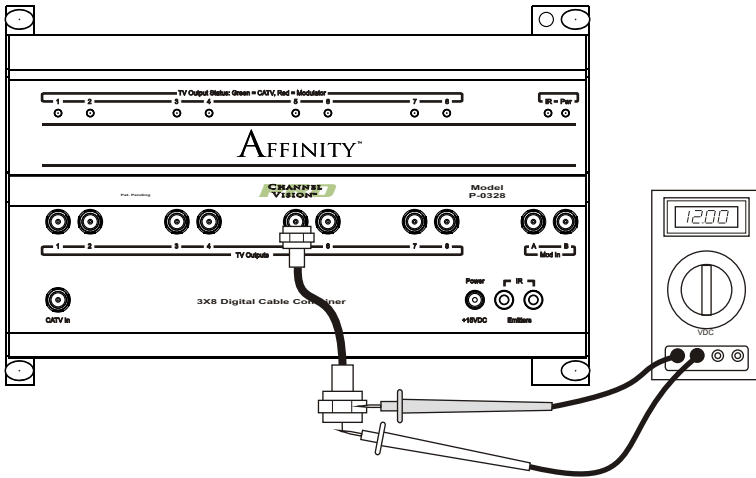
Expanding the System

The P-0328 comes with one IR coax adaptor which will allow viewing of both CATV and Mod at one TV location. To view both signals at more TVs, additional IR coax adaptors can be purchased; compatible models are: IR-4101 or IR-4100 used with an IR-2400. If no IR coax adaptor is used, only CATV signals will be viewable. To create systems with more than 8 locations, simply split the output of the modulator and the CATV feed, then connect the outputs of the splitters to each P-0328.



Troubleshooting

If your IR system is not working, check to see if the P-0328 is feeding approximately 12 Volts DC onto the coax between the shield and center pin. (Any voltage between 8-12VDC is OK). If there is no voltage between the center pin and shield, check the connectors on each end of the coax to make sure there are no shorts (no shielding touching the center conductor).



If you are using an RF splitter between the modulator and the P-0328 or between the P-0328 and the IR coax adaptor (IR-4101), check to make sure you have approximately 8-12 Volts DC on the coax going into the IR-4101. If there is no voltage at that point, check the following items:

1. If you are using a splitter on the TV outputs of the P-0328, make sure it is DC passing. Traditional splitters will short out DC voltage traveling on the coax and prevent your IR system from working.
2. If you are using a splitter on the TV outputs of the P-0328, make sure that there are DC blocks (model 3109) on any output from the RF splitter that will not be connected to an IR-4101. If outputs from the splitter are connected directly to TV sets without going through an IR-4101 or DC block, the system voltage will be shorted out by the input of the TV set.
3. Double check the fittings at the end of your coax cables. If a little bit of shielding is touching the center pin, the voltage will be shorted out and the system will not work.
4. Don't worry. There are 8 IR engines in the P-0328 one for each TV output. The IR engines have a current limiting circuit. If an engine is shorted (due to a bad connection or a non-DC passing splitter) nothing will be harmed.



2 Year Limited Warranty

Channel Vision Technology will repair or replace any defect in material or workmanship which occurs during normal use of this product with new or rebuilt parts, free of charge in the USA, for two years from the date of original purchase. This is a no hassle warranty with no mail in warranty card needed. This warranty does not cover damages in shipment, failures caused by other products not supplied by Channel Vision Technology, or failures due to accident, misuse, abuse, or alteration of the equipment. This warranty is extended only to the original purchaser, and a purchase receipt, invoice, or other proof of original purchase date will be required before warranty repairs are provided.

Mail in service can be obtained during the warranty period by calling (800) 840-0288 toll free. A Return Authorization number must be obtained in advance and can be marked on the outside of the shipping carton.

This warranty gives you specific legal rights and you may have other rights (which vary from state to state). If a problem with this product develops during or after the warranty period, please contact Channel Vision Technology, your dealer or any factory-authorized service center.

Specifications: (typical at 25 degrees C)

Forward Gain

| | | |
|----------------|------------|------------|
| CATV in to out | 54-1000MHz | Unity Gain |
| MOD in to out | 54-1000MHz | -12dB |

Reverse Channel

| | | |
|----------------|---------|-------|
| Out to CATV in | 5-42MHz | -12dB |
|----------------|---------|-------|

Isolation:

| | | |
|----------------------|------------|----------------------|
| CATV in to TV output | 54-1000MHz | >50dB (60dB typical) |
| MOD in to TV output | 54-1000MHz | >50dB (60dB typical) |

IR Over Coax

Compatible with Channel Vision IR-4100 and IR-4101 only.

Power Supply 12VDC, 800mA regulated

Specifications subject to change without notice



234 Fischer Avenue, Costa Mesa, California 92626 USA
(714)424-6500 • (800)840-0288 • (714)424-6510 fax
email: techsupport@channelvision.com