



# U Series Infra-Red Salamander Broiler

Item: \_\_\_\_\_  
 Quantity: \_\_\_\_\_  
 Project: \_\_\_\_\_  
 Approval: \_\_\_\_\_  
 Date: \_\_\_\_\_

U Series Infra-Red Salamander Broiler

Models:

- UIR36C       UIR36       UIR48       UIR60



Model UIR36

### Standard Features:

- Range mount models – stainless steel top front, sides, backsplash, and bottom w/heat shield
- Counter mount UIR36C – stainless steel top, front, and sides – C/W 4" (102mm) legs
- 1/2" NPT top gas inlet
- Two (2) 20,000 BTU (5.86 kW) atmospheric infrared burners
- Two (2) individual Hi-Lo valve controls
- Three (3) position spring-balanced, adjustable rack assembly
- Large capacity removable grease pan
- Gas pressure regulator

- One year limited parts & labor warranty (USA & Canada only)

### Optional Features:

- Wall-mounting kit and stainless steel main bottom w/heat shield for model UIR36C
- Rear gas inlet (standard on counter model UIR36C)
- Interconnecting gas piping for range-mount, models UIR36, 48, & 60
- Available to fit all US Range U Series ranges from 36"-60" (900mm-1500mm) wide; standard on left, right optional on 60" (1500mm) ranges – specify
- Stainless steel back

### Specifications:

Range mount gas infra-red salamander broiler Model UIR \_\_\_\_\_. Available to mount over US Range U Series restaurant ranges 36"- 60" (900mm -1500mm)wide. Two (2) 20,000 BTU (5.86 kW) atmospheric infra-red burners. Three (3) position adjustable rack. Stainless steel top, front, sides, backsplash, and bottom w/heat shield. 40,000 BTU (11.72 kW) total. Natural or propane gas. Certified to Canadian and US Standards, listed by NSF.



Garland Commercial Industries, LLC  
 185 East South Street  
 Freeland, PA 18224  
 Phone: (570) 636-1000  
 Fax: (570) 636-3903

Garland Commercial Ranges Ltd  
 1177 Kamato Road,  
 Mississauga, Ontario  
 L4W 1X4 CANADA  
 Phone: 905-624-0260  
 Fax: 905-624-5669

Enodis UK LTD  
 Swallowfield Way,  
 Hayes, Middlesex  
 UB3 1DQ ENGLAND  
 Telephone: 081-561-0433  
 Fax: 081-848-0041

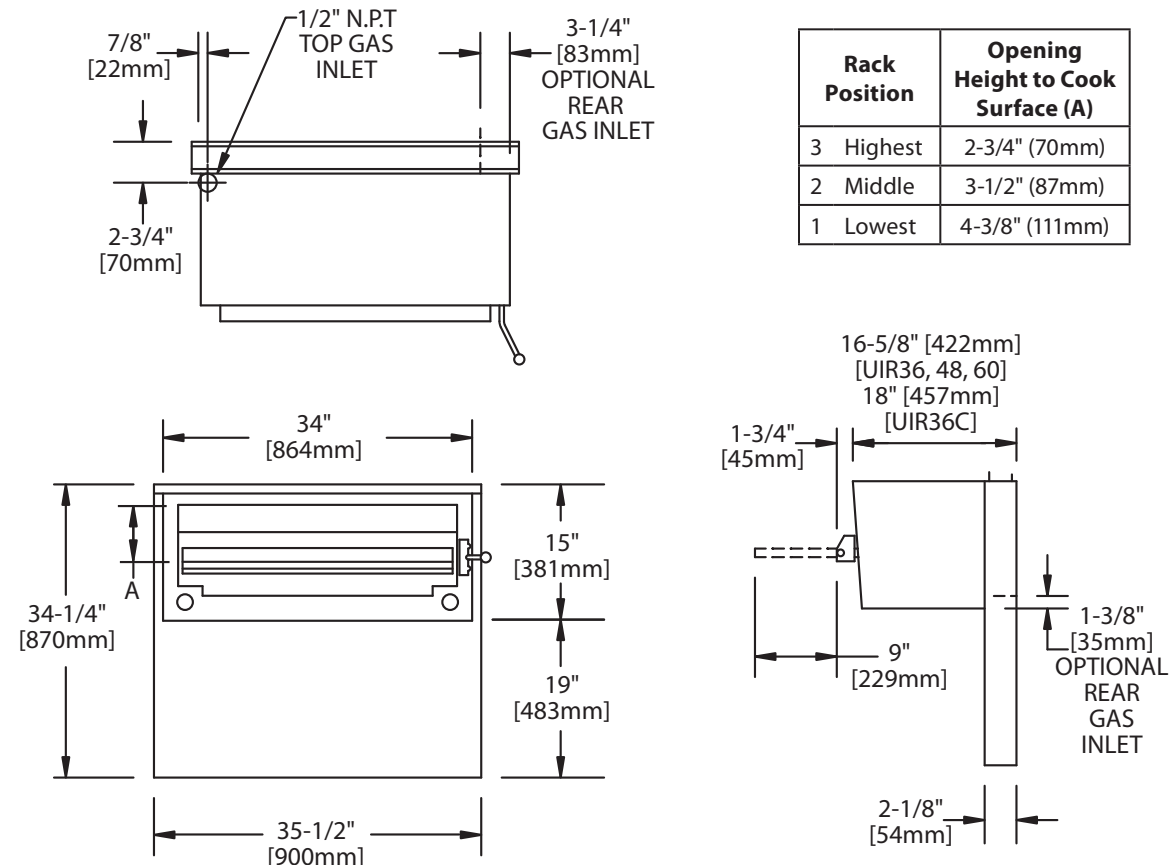


Model	Width	Use With U Series Model	Shipping Information		Entry Clearances: In (mm)	
			Cu Ft	Lbs/Kg	Crated	Uncrated
UIR36C	34" (864mm)	N/A	15	170/77	29(737)	21(533)
UIR36	35-1/2" (900mm)	U36	22	200/91	29(737)	21(533)
UIR48	47-1/4" (1200mm) (35-1/2" /900mm center mounted broiler with 47-1/4"/1200mm flue riser)	U48	25	230/105	29(737)	21(533)
UIR60*	59" (1500mm) (35-1/4" /900mm broiler + 24"/610mm flue riser w/shelf)	U60	37	260/118	29(737)	21(533)

\* Note Salamander Broiler on Left Side. Right Side Optional

Operating Pressure		Installation Clearances		Total Input 40,000 BTU/HR (11.7Kw)
Natural	Propane	Sides	Rear	
6"WC (15mbar)	10"WC (25mbar)	6"(152mm)	6"(152mm)	

Gas input ratings shown for installations up to 2000 ft., (610m), above sea level. Please specify altitudes over 2000 ft. Please specify gas type when ordering.



Garland/US Range products are not approved or authorized for home or residential use, but are intended for commercial applications only. Garland/US Range will not provide service, warranty, maintenance or support of any kind other than in commercial applications.

Form# UIR (11/07)