



30 Pine Street • New Rochelle • New York • 10801

914 / 576 - 0200

914 / 576 - 0605 fax

1 - 800 - 431 - 2745 US & Canada

www.bakerspride.com web address

# COC-E

## Half Size Electric Convection Oven

### PARTS LIST

*Cyclone*  
SERIES



Model Number: **COC-E**

**Voltage/Phase**

Serial Number: \_\_\_\_\_

208V/1

208V/3

220-240/1

220-240/3

# COC-E

## Half Size Electric Convection Oven

30 Pine Street • New Rochelle • New York • 10801

914 / 576 - 0200

914 / 576 - 0605 fax

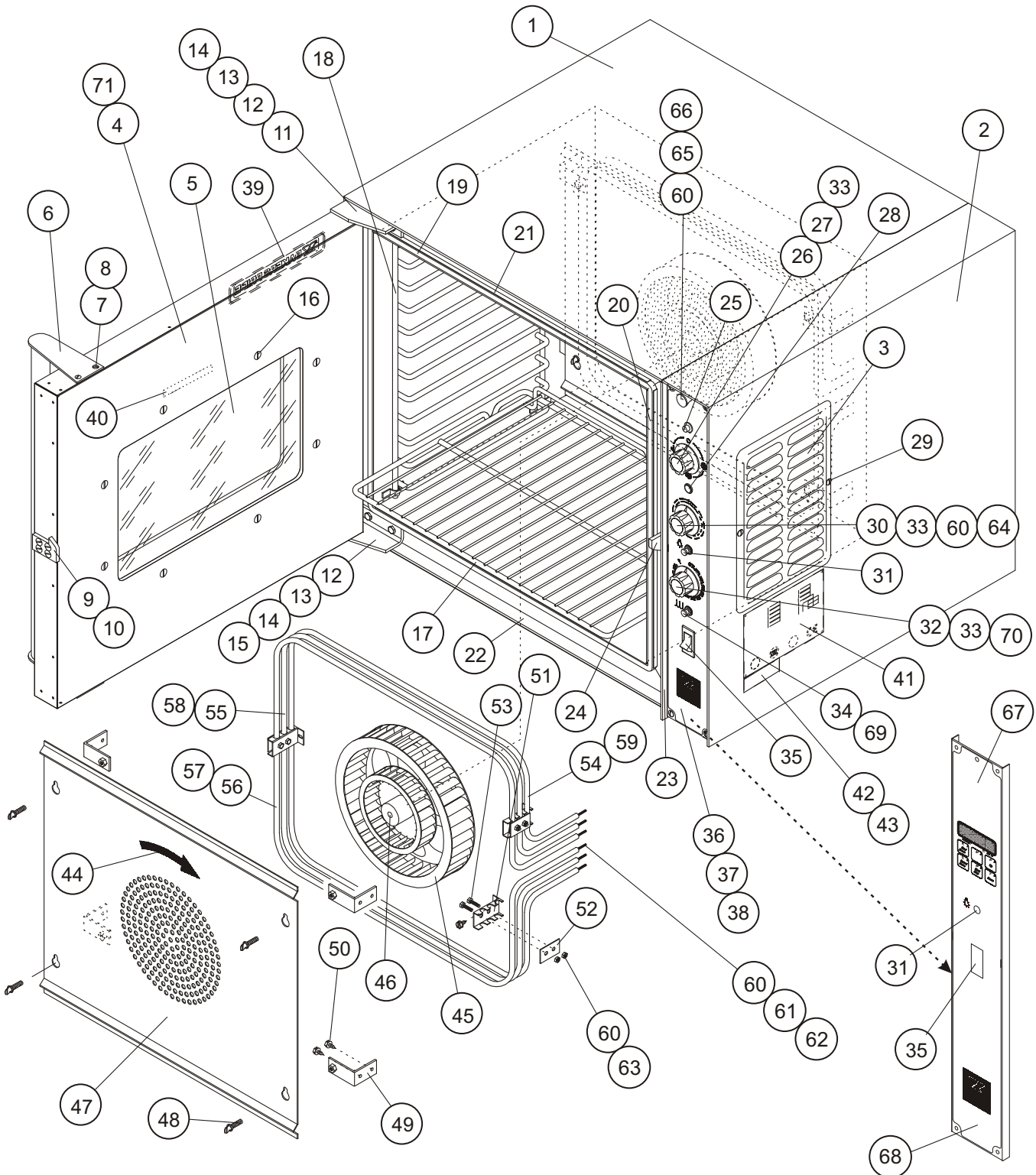
1 - 800 - 431 - 2745 US & Canada

www.bakerspride.com web address



Figure A

### Exterior / Interior / Elements / Controls / Door





30 Pine Street • New Rochelle • New York • 10801

914 / 576 - 0200

914 / 576 - 0605 fax

1 - 800 - 431 - 2745 US & Canada

www.bakerspride.com web address

# COC-E

## Half Size Electric Convection Oven

Item	Part #	Description	Item	Part #	Description
<b>Exterior / Interior / Elements / Controls / Door</b>					
1	E1178K	Outer Shell	43	U1206A	Service Connection
2	E1179K	Outer Side (Right)	44	U1169A	Motor Rotation Arrow, Label
3	E1180X	Access Cover Assy.	45	S1195X	Blower Wheel
4	E1052X	Door Assy. (With Window)	46	Q2318A	Bolt, Wheel Puller 3/8-16x1 1/2 Hx (1)
5	S1048X	Window Assy.	47	E1026K	Baffle Plate
6	S1317U	Door Handle Assy.	48	Q2009A	Thumb Screw, 1/4-20x1/2 (4)
7	Q1477A	Screw, FH 10-32x1/2 (4)	49	E3095T	Baffle Plate Bracket Assy (4)
8	Q3047A	#10 Lock Washer, Countersunk ext. (4)	50	Q1414A	Screw, HX HD #10x3/4 (8)
9	S3029X	Door Catch	51	K1100X	Element Bracket, Bent (3)
10	Q2008A	Screw, FH 1/4-28x5/8 (4)	52	K1375E	Element Bracket, Flat (3)
11	E1165K	Hinge Assy (Top)	53	Q1407A	Screw HX HD #10x1/2 (6)
12	Q2025A	Bolt, HH 1/4-20x3/4 (2)	54	L1079X	Element, Rear 208V 3KW
13	Q3005A	1/4 Lockwasher, Split (2)	55	L1080X	Element, Center 208V 3KW
14	E1087B	Hinge Shim (2)	56	L1081X	Element, Front 208V 3KW
15	E1167K	Hinge Assy (Bottom)	57	L1082X	Element, Front 230V 3KW
16	Q2209A	Screw, TH, 5/16-18x3/4 (8)	58	L1083X	Element, Center 230V 3KW
17	T3041A	Wire Rack (5)	59	L1084X	Element, Rear 230V 3KW
18	T3042A	Rack Support (2)	60	Q3017A	Star Washer #10
19	K1088K	Horizontal Seal Strip (2)	61	Q1402A	Nut 10-32 (12)
20	K1089K	Vertical Seal Strip (2)	62	S1062X	Terminal Cap (6)
21	S6037X	Door Gasket	63	Q1408X	Nut 10-24 (6)
22	E1186K	Bottom Apron	64	Q1436A	Bolt, Hx Hd 10-32x5/8
23	E1183K	Front Column Assy.	65	S1153X	Knob
24	S3030X	Door Latch Assy.	66	Q1206A	Screw, 8-32 x 3/8 RD HD
25	P1128X	Pilot Light (Green)	67	E1253A	Control Panel
26	M1326X	Rotary Switch	68	U1428A	Overlay
27	Q1705A	Screw, 4x6mm (2)	69	M1049X	Push Button Switch (Steam)
28	P1127X	Pilot Light (Amber)	70	U1296A	Timer Overlay (50 cycle only)
29	Q1406A	Screw, SL HD #10x1/2 (2)	71	E1051X	Door Assy, No Window (Option)
30	M0110A	Thermostat, G6, FAST (Domestic)	<b>Optional Steam Injection (Not Shown)</b>		
	M1553A	Thermostat, E6, FAST (CE)	N/S	M1114X	Solonoid Valve
31	M1049X	Push Button Switch (Light)	N/S	M1115X	Coil (For Solonoid Valve)
32	M1346A	Timer, 60 Minutes (208/240VAC)	N/S	N1019X	Steam Injection Nozzle
33	S1311X	Knob (3)	N/S	N3039A	1/8 Brass Coupling
34	S1171A	Plug Button, 7/16	N/S	N3040A	1/8 Brass Elbow
35	M1352A	Circuit Breaker	N/S	N3041A	1/8NPT-1/4 Compression Fitting
36	E1195K	Control Panel (GC-20)	N/S	N5814A	1/8x2 3/8 Nipple
37	U1284A	Overlay (Rotary Controls)	N/S	N5815A	1/4 Tubing x 9"
38	Q1406A	Screw, TR HD #10x1/2 (4)	N/S	M1231A	Steam Timer, 208/230V
39	U1044A	Bakers Pride, Name Plate, 8"	N/S	M1176X	Steam Potentiometer
40	U1192A	Caution Hot, Label, Bi-Lingual			
41	U1299A	Rating Plate, Bi-Lingual			
42	U1205A	Service Connection w/Neutral			

# COC-E

Half Size Electric Convection Oven

30 Pine Street • New Rochelle • New York • 10801

914 / 576 - 0200

914 / 576 - 0605 fax

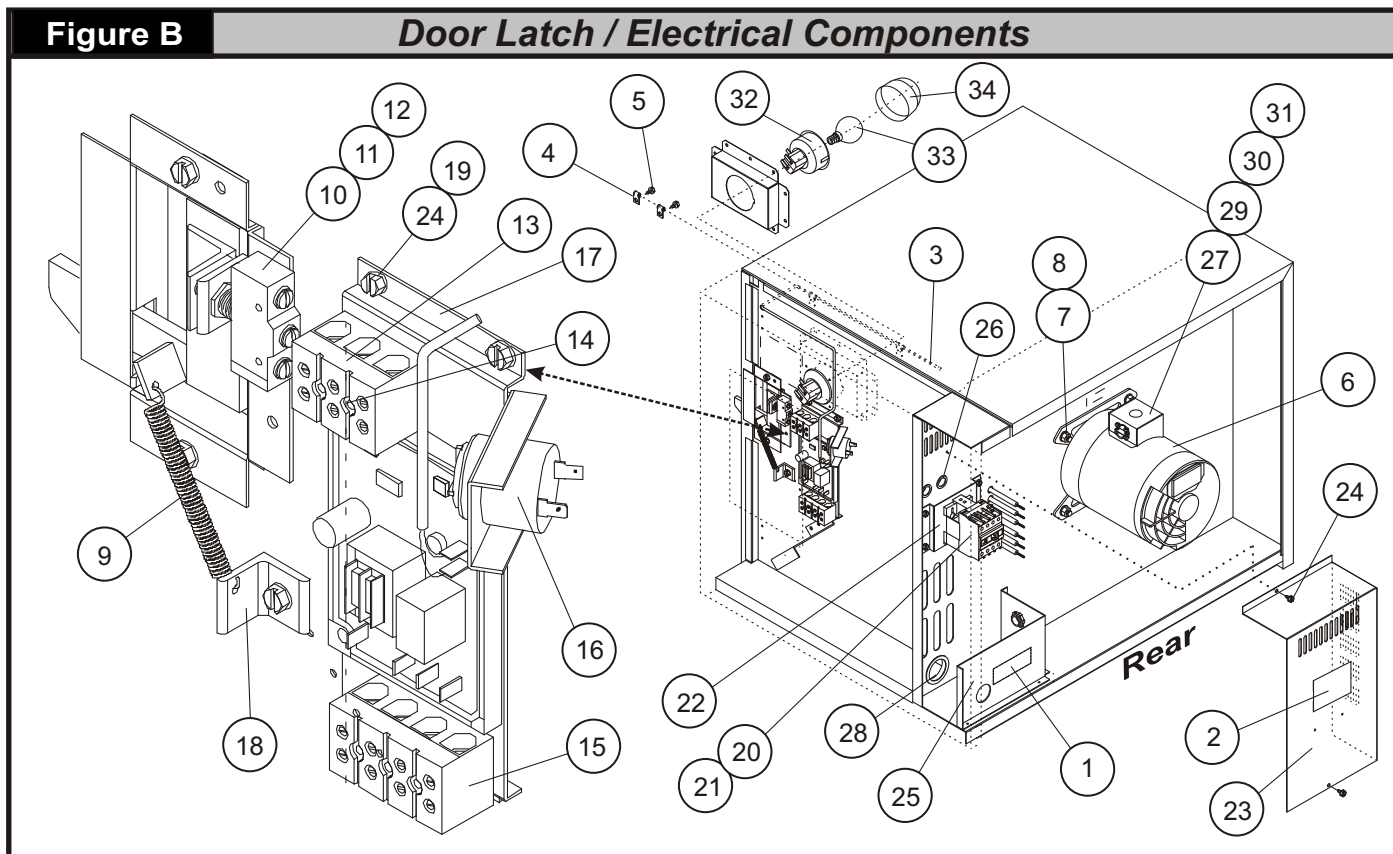
1 - 800 - 431 - 2745 US & Canada

www.bakerspride.com web address



Figure B

## Door Latch / Electrical Components



Item	Part #	Description	Item	Part #	Description
1	U1210A	Installation Warning, Label	18	K1087E	Spring Bracket
2	U1120A	Element Terminal, Plate	19	Q3017A	Star Washer #10
3	M1555A	RTD Temperature Probe	20	M1030X	Contactora, 208/240V
4	Q4021X	Clip 3/16 Closed, Temp Sensor (2)	21	Q1210A	Screw, Pan Hd, 8-32x1/2 (4)
5	Q1406A	Screw, #10x1/2 (2)	22	E3210U	Contactora Bracket
6	M1217X	Motor, 1/4HP, 2 Spd, 200-230V, 50-60	23	E1018K	Terminal Box
7	Q3014A	Lockwasher, Split 5/16 (4)	24	Q1407A	Bolt, Hx Hd, #10x1/2 (2)
8	Q2204A	Nut, HX, 5/16-18 (4)	25	E1176K	Cable Support
9	S3005X	Spring, 2 1/2x5/16	26	P1018A	Bushing, Snap, 7/8 (2)
10	M1102X	Micro-Switch (Rotary)	27	P1084A	Bushing, Anti-Short, 3/8 (2)
11	M1172X	Micro-Switch (Minichief)	28	P1045A	Bushing, Snap, 2"
12	M1173X	Actuator	29	P1082A	Conduit, BX Flex, 3/8x24"
13	P1003X	Terminal Block, 3 Pole	30	P1017A	Conduit Connector, 3/8x1/2-Straight
14	Q1205A	Screw, Rd Hd, 8-32x1 1/4 (2)	31	P1079A	Wire Nut (3)
15	P1004X	Terminal Block, 4 Pole	32	P1126X	Lighting Assy (W/Bulb & Lens)
16	M1335X	Audio Alarm	33	P1122A	Light Bulb (40W, 240V)
17	E1199U	Control Bracket Assy.	34	P1124X	Lens, Lighting Assy