

RANGE COMPOSITION

ZANUSSI Professional easyPlus blends tradition with the latest technological research in order to satisfy the creativity and working requirements of today's professional kitchen. The easyPlus range offers a choice of different models, providing a high degree of automation and an extensive range of accessories. The easyPlus convection ovens with direct steam are designed to form complete cook&chill systems together with easyChill blast chillers/freezers, therefore, any installation can be tailored to meet the needs of the caterer.

The easyPlus ovens detailed are 20 GN 2/1 electric models.



easyPlus OVENS

CONVECTION LW 20 GN 2/1-ELECTRIC **ZANUSSI** PROFESSIONAL

FUNCTIONAL AND CONSTRUCTION FEATURES

- ◆ Convection cycle (max. 300 °C) with humidifier (11 settings): 0 no additional moisture (browning and gratinating); 1-2 low moisture (stewed vegetables); 3-4 medium-low moisture (au gratin vegetables, roasted meat and fish); 5-6 medium moisture (all small portions of meat and fish); 7-8 medium-high moisture (large pieces of red meat); 9-10 high moisture (large pieces of white meat, baking and pre-cooked food regeneration).

- ◆ easyPlus ovens can cook by controlling either the cooking time or the product's core temperature through a single-sensor probe.

- ◆ Fan speeds: full and HOLD (pulse ventilation for baking and low temperature cooking). The "HOLD utility" is also perfect for keeping food warm at the end of the cooking cycle and for low temperature cooking of large pieces of meat.

- ◆ Exhaust valve electronically controlled to extract excess humidity.

- ◆ Automatic cleaning system: 4 different pre-set cycles to clean the cooking cell, according to the actual requirements. The cleaning system is built-in (no need for add-ons). Semi-automatic cleaning cycle also available.

TECHNICAL DATA	
CHARACTERISTICS	MODELS
	FCZ202ECA 239005
Power supply	Electric
Number of grids	20
Runners pitch - mm	63
Cooking cycles - °C	
air-convection	300
Convection	●
Cook&hold	●
Meat probe	●
Automatic cleaning system	●
External dimensions - mm	
width	1243
depth	1107
height	1795
Internal dimensions - mm	
width	933
depth	830
height	1450
Power - kW	
auxiliary	2
cooking chamber	48
electric	50
Net weight - kg.	358
Supply voltage	400 V, 3N, 50/60
INCLUDED ACCESSORIES	
CONTROL PANEL FILTER-20 GN2/1 OVENS-LW	1
TROLLEY TRAY RACK F. 20X2/1GN,63MM PITCH	1

- ◆ Quick cooling: useful when passing to a type of cooking that requires a lower temperature than the previous one. It works automatically and manually.
- ◆ Manual injection of water in the cell.
- ◆ HACCP management as standard: it allows recording the cooking programme according to H.A.C.C.P. standard (Hazard Analysis and Critical Control Points). According to the system requested it will be possible to record the cooking data with the oven's printer (optional) or directly in a Personal Computer (PC network installation required).

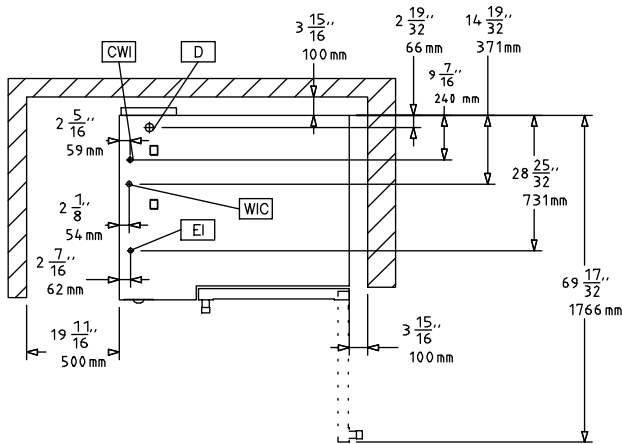
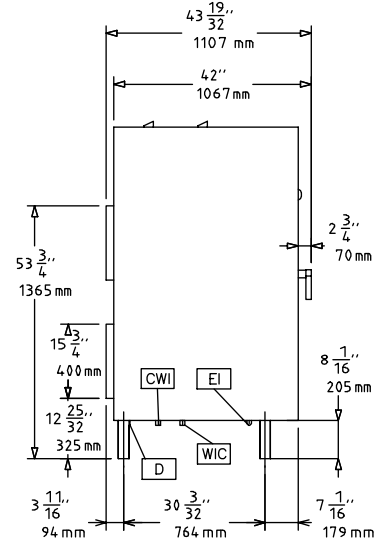
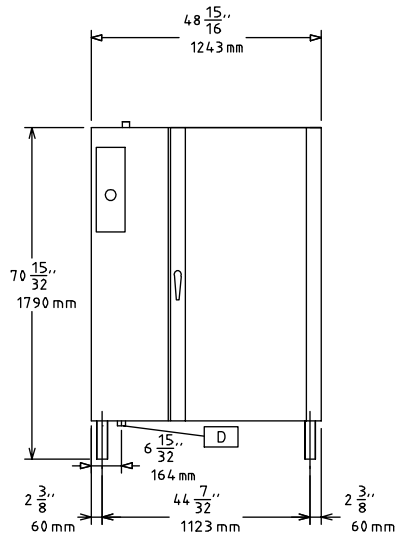
- ◆ Perfect evenness: blows fresh air from outside through the bi-functional fan, which pulls the air in from the backside of the oven, after it is pre-heated and therefore guaranteeing the evenness of the cooking process.
- ◆ Single-sensor food probe.
- ◆ Stainless steel 304 throughout, with seamless joints in the cooking cell.
- ◆ Height adjustable legs.

- ◆ Double thermo-glazed door equipped with drip pans to catch condensate and prevent slippery floor for maximum security and four holding positions allowing easier loading and unloading manoeuvres.
- ◆ Halogen lighting in the cooking cell.
- ◆ Access to main components from the front panel.
- ◆ IPX5 water protection.
- ◆ easyPlus ovens meet IMQ safety requirements.

OPTIONAL ACCESSORIES	
ACCESSORIES	MODELS
	FCZ202ECA 239005
1 GRID GN1/1 FOR 8 WHOLE CHICKENS(1.2KG)	922266
2 FAT FILTERS FOR 20X1/1 & 2/1 OVEN	922179
2 FRYING BASKETS FOR OVENS	922239
2 GRIDS GN 1/1 FOR CHICKENS (8 PER GRID)	922036
AUTOMATIC WATER SOFTENER FOR OVENS	921305
BANQ.TROLLEY-92PLATES 85MM PITCH-20GN2/1	922055
BASKET FOR DETERGENT TANK-WALL MOUNTED	922209
CONTROL PANEL FILTER-20 GN2/1 OVENS-LW	922249
DOOR SHIELD 20 1/1-PRE-HEAT W/O TROLLEY	922094
DOOR SHIELD 20 2/1-PRE-HEAT W/O TROLLEY	922095
EXTERNAL SIDE SPRAY UNIT	922171
FRYING GRIDDLE GN 1/1 FOR OVENS	922215
HEAT SHIELD FOR 20 GN 2/1 OVENS	922242
KIT HACCP EKIS	922166
KIT INTEGRATED HACCP FOR OVENS	922275
NON-STICK U-PAN GN 1/1 H=20 MM	922090
NON-STICK U-PAN GN 1/1 H=40 MM	922091
NON-STICK U-PAN GN 1/1 H=65 MM	922092
OVEN GRILL (ALUMINIUM) GN 1/1	922093
PAIR OF 1/1GN AISI 304 S/S GRIDS	922017
PAIR OF 2/1 GN AISI 304 S/S GRIDS	922175
PASTRY TROLLEY 16(400X600)80MM-20 2/1 LW	922069
RESIN SANITIZER FOR WATER SOFTENER	921306
THERMAL COVER FOR 20 GN 2/1-LW	922049
TROLLEY TRAY RACK F. 20X2/1GN,63MM PITCH	922044
TROLLEY TRAY RACK F. 20X2/1GN,80MM PITCH	922046
WATER FILTER FOR 20 2/1 OVENS 1.8 L/MIN.	922104



www.zanussiprofessional.com



597849700

LEGEND

	FCZ202ECA 239005
CWI - Cold water inlet	3/4"
D - Water drain	2"
EI - Electrical connection	400 V, 3N, 50/60
WIC - Cooling water inlet	3/4"



www.zanussiprofessional.com