



Service Manual

Built-in oven
AKZ 131/WH

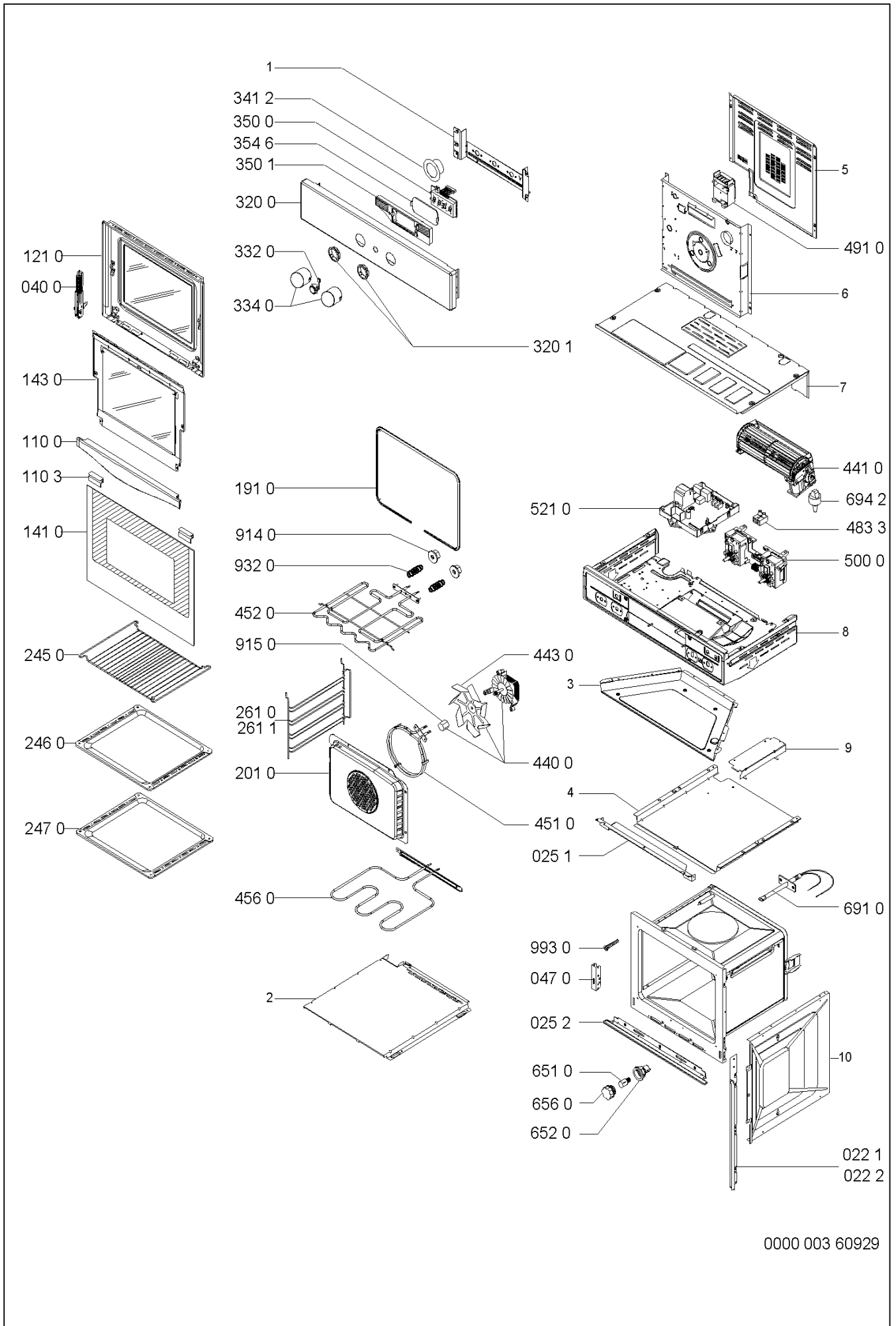
Model Version		Page
	AKZ 131/WH	
	8585 131 10000	
	Spare part list	2
	Exploded view	3
	Wiring diagram	4
	Technical data	5

Spare part list

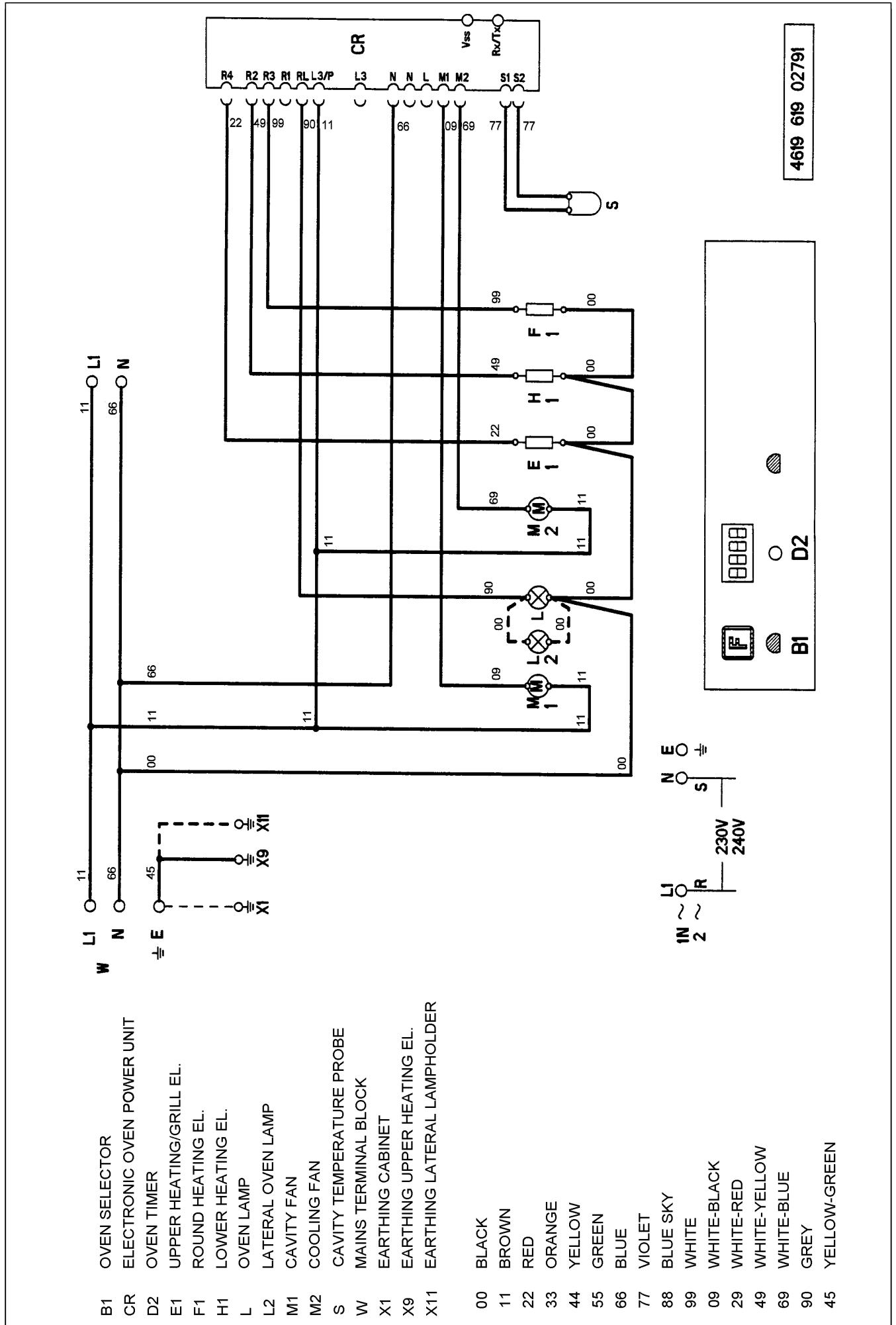
Model AKZ131/WH
Service No. 858513110000
Version 858513110000

Pos. No.	12NC Code	Description
022 1	4819 460 78449	Trim, side left
022 2	4819 460 78448	Trim, side right
025 1	4819 460 78628	Trim, lower
025 2	4819 460 78849	Trim, lower
040 0	4812 417 18839	Hinge
047 0	4812 417 18837	Hinge run.mech.
110 0	4812 498 78058	Door handle
110 3	4819 466 98738	Fixation f. handle
121 0	4819 442 39501	Innerdoor,oven
141 0	4812 450 58318	Oven glass
143 0	4819 459 28301	Frame
191 0	4819 468 18109	Gasket 1045 mm
201 0	4812 440 19701	Panel, rear
245 0	4819 458 19991	Oven shelf
246 0	4819 418 38366	Baking tray
247 0	4819 418 38367	Tray,leak
261 0	4819 458 68266	Inset grid left
261 1	4819 458 68265	Inset grid right
320 0	4812 453 19537	Panel,control
320 1	4819 532 68721	Collar
332 0	4819 276 18434	Microswitch
334 0	4812 411 28574	Knob
341 2	4812 413 78557	Indication disc
350 0	4819 130 38087	Display
350 1	4812 404 78333	Holder
354 6	4819 902 00644	Panel glass
440 0	4819 361 78242	Motor
441 0	4819 361 18475	Motor 230 V 22W
443 0	4819 515 48065	Fan wheel
451 0	4819 259 28823	Heating element circulation
452 0	4819 259 28992	Heating element upper/grill
456 0	4819 259 28989	Heating element lower KIT 240 V1450W
483 3	4819 290 68357	Plug,female
491 0	4812 290 68168	Connectionblock
500 0	4819 214 78694	Unit control oven selector+timer
521 0	4819 310 39791	Power unit electronic KIT 2 D
651 0	4819 134 88153	Lamp,oven
652 0	4819 255 18237	Holder,lamp rear
656 0	4819 450 69844	Lamp screen rear
691 0	4819 210 78097	Sensor temper.
694 2	4819 466 69505	Stopper
914 0	4819 505 18323	Nut
915 0	4819 505 18145	Nut
932 0	4819 492 68714	Spring
993 0	4819 310 39036	Accessory fitting

Exploded view



Wiring diagram



4619 619 02791

Technical data

Electrical connection

Rated voltage	230 V ~		
Main connection	230 V	1N~ 50	Hz
Power usable contemporaneously	2400		W
Upper heating element / Grill element	2250		W
Lower heating element	1450		W
Forced air	1840		W

Electrical components

Auto timer	Interface module
------------	------------------

Accessories

Baking tray enameled	375 x 445.5	mm
Fat pan enameled	375 x 445.5	mm
Grid chrome	446.5 x 340	mm

Failure codes

Fault	Defect	Intervention
F01	Open or short circuit of the temperature probe	Replace the temperature probe
F02	Overheating of the oven	Replace Capricorn (oven power unit)
F03	Capricorn not properly configured	Replace Capricorn (oven power unit)
F04	WISP protocol doesn't work (communication error)	Replace Capricorn (oven power unit) or replace Scales (hob control unit)

