

READ AND SAVE THESE INSTRUCTIONS

WARNING: A risk of fire and electrical shock exists in all electrical appliances and may cause personal injury or death. Please follow all safety instructions.



Toastmaster®

Toaster-Oven Broiler

**Use and Care Guide
Models 356 and 357**

IMPORTANT SAFEGUARDS

When using electrical appliances, basic safety precautions should always be followed to reduce the risk of fire, electric shock and injury to persons, including the following:

- Read all instructions before using appliance.
- Close supervision is necessary when any appliance is used near children.
- This appliance is not for use by children.
- Do not touch hot surfaces. Use handles or knobs and oven mitts.
- Do not operate any damaged appliance. Do not operate with a damaged cord or plug, or after the appliance malfunctions or has been dropped or damaged in any manner. Return appliance to the nearest authorized service center facility for examination, repair, electrical or mechanical adjustment.
- Before using this appliance, move it four to six inches from the wall or any object on the countertop. Do not store any item on top of the appliance. Do not use on surfaces where heat may cause a problem.
- A fire may occur if this appliance touches or is covered by flammable material, including curtains, draperies, walls, etc., when in operation.
- Do not store any materials, other than manufacturer's recommended accessories, in this oven when not in use.
- Do not cover crumb tray or any part of the oven with metal foil. This will cause overheating of the oven.
- Extreme caution should be exercised when using containers constructed of other than metal.
- Do not place any flammable material such as paper, cardboard, plastic, etc. in the oven.
- When broiling, the bake/broil tray and toast/broil rack must be used.
- Oversized foods or utensils must not be inserted into the toaster-oven-broiler.
- Do not immerse cord, plug or appliance in water or other liquid. See instructions for cleaning.
- Do not use outdoors or while standing in damp area.
- Do not clean with metal scouring pads. Pieces of the pad may break off and touch electrical parts.
- Unplug from outlet when not in use and before cleaning. Allow to cool before attaching or removing parts and before cleaning the appliance.
- **CAUTION:** Never leave toaster-oven-broiler unattended when broiling or toasting.
- Do not let cord hang over edge of table or counter, or touch hot surfaces.

- The toaster-oven-broiler is off when the temperature knob and the timer are in the off position.
- Extreme caution must be used when moving an appliance containing hot oil or other hot liquids.
- Use extreme caution when removing broiling tray or disposing of hot grease.
- Do not place on or near a hot gas or electric burner or in a heated oven.
- Use attachments only if recommended by Toastmaster Inc.
- Only use appliance as indicated in these instructions.

SAVE THESE INSTRUCTIONS

CAUTION: A short power supply cord is provided to reduce the risk of personal injury resulting from becoming entangled in or tripping over a longer cord. Extension cords are available from local hardware stores and may be used if care is exercised in their use. If an extension cord is required, special care and caution is necessary. Also the cord must be: (1) marked with an electrical rating of 125 V and at least 13A., 1625 W., and (2) the cord must be arranged so that it will not drape over the countertop or tabletop where it can be pulled on by children or tripped over accidentally.

POLARIZED PLUG: This appliance has a polarized plug, (one blade is wider than the other). As a safety feature to reduce the risk of electrical shock, this plug is intended to fit in a polarized outlet only one way. If the plug does not fit fully in the outlet, reverse the plug. If it still does not fit, contact a qualified electrician. Do not attempt to defeat this safety feature.

ELECTRIC POWER: If the electric circuit is overloaded with other appliances, your appliance may not operate properly. It should be operated on a separate electrical circuit from other appliances.

This product is for household use only.

GETTING TO KNOW YOUR TOASTER-OVEN-BROILER

Your new Toastmaster toaster-oven-broiler has the versatility to bake, broil, defrost, toast, top brown and keep foods warm. The adjustable thermostat allows you to prepare recipes according to package or recipe directions. The Power Light will be on any time the unit is operating. Both upper and lower heating elements will be on when toasting, baking, defrosting, top browning and keeping foods warm. Only the upper elements will be on when broiling.

CAUTION: APPLIANCE SURFACES ARE HOT DURING AND AFTER USE.
CAUTION: ALWAYS WEAR PROTECTIVE, INSULATED OVEN MITTS ON HANDS WHEN TOUCHING HOT OVEN OR HOT DISHES AND FOOD OR WHEN INSERTING OR REMOVING RACK, PAN OR BAKING DISH.

Ovenware manufacturers do not recommend using see through glass baking containers or lids in this oven. Glass-ceramic baking containers may be used. Do not use oven roasting bags in this oven, as they may come in contact with the heating elements.

BAKE/BROIL PAN, TOAST RACK AND BROIL INSERT

For best results use pan to bake, defrost, top brown, keep warm and to minimize clean-up due to spills.

For toasting, place bread directly on rack.

When broiling, both the pan and the broil insert rack must be used.

NOTE: For the model 356, push the rack into the oven until it is between the rack guides and then close the door.

TIMER

The TIMER control dial also acts as the oven's ON and OFF switch. Turn the timer clockwise to select the appropriate cooking time up to 2 hours. If cooking less than 15 minutes, turn timer to 15 minutes and then back to desired cooking time. When cooking time is complete, a signal will sound and the unit will turn off automatically.

If you do not wish to use the timer feature, simply turn the dial to Stay On to turn the oven on. Return to OFF position when cooking is complete.

WIRE RACK

The wire rack must be used for all cooking functions. It may be inserted in either the upper or lower rack position as shown in Figure 1. Use the upper rack position for toast and top brown. Use the lower rack position for bake, keep warm, defrost, and broil.

The wire rack may also be inverted for two additional positions. Each section of instructions suggest a rack specific position, however, the rack may be adjusted to accommodate the different thickness of foods.

Figure 1

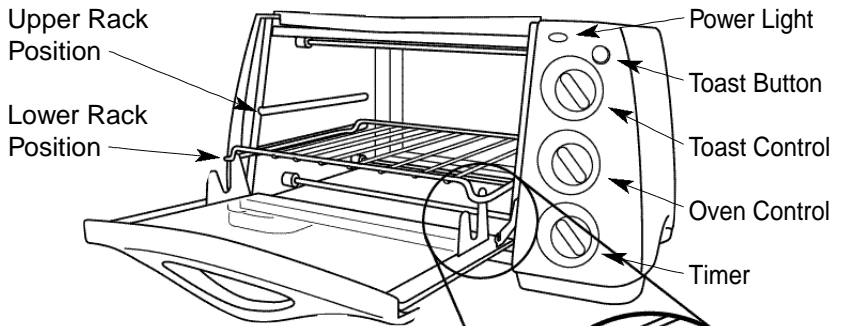
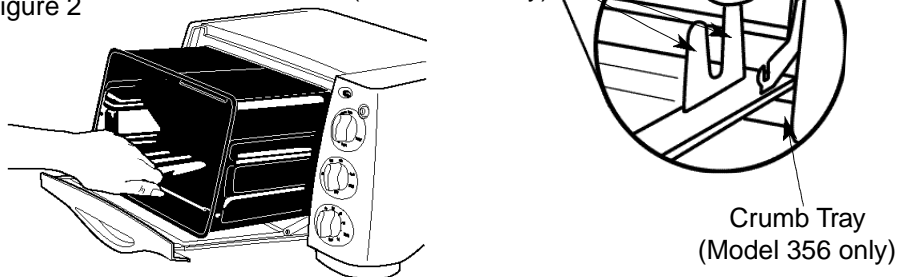


Figure 2



Removable Interior (Model 357 only)

INSTRUCTIONS FOR TOAST

1. Remove pan and rack.
2. Plug into 120 V ~ 60 Hz outlet.
3. Center food on rack. Place in upper rack position of oven and close the door.
4. Turn TOAST control to the desired shade.
5. Press the TOAST button. The power light will come on. Condensation may build up on door glass, but will evaporate during toasting.
6. The unit shuts off automatically when the cycle is complete. The power light will go off.

NOTE: Watch toast until desired color is achieved and shut off unit manually by opening the oven door. This will shut the unit off without damaging the oven. To restart, push TOAST button again.

HINTS FOR TOAST

- Follow toaster food directions.
- Frozen and heavy bread require a darker setting (e.g. bagels and English muffins.)
- One slice requires a lighter setting than several slices.

INSTRUCTIONS FOR TOP BROWN

1. Remove pan and rack.
2. Plug into 120 V ~ 60 Hz outlet.
3. Adjust TOAST control to desired shade.
4. Center a baking container or food on rack, or use bake pan. Place on rack in upper rack position of oven and close door.
5. Press TOAST button. The power light will come on.
6. The unit shuts off automatically when the cycle is complete. The power light will go off. Watch food to avoid over-browning. To stop cycle manually, open the oven door.
7. Unplug and allow to cool before cleaning.

HINTS FOR TOP BROWN

- For a darker color set the toast control to a darker shade and restart the cycle by pressing the TOAST button; watch until desired color is achieved and shut unit off manually by opening the oven door.
- Top Brown may be used to top brown bagels, English muffins or melt cheese on sandwiches or casseroles.

INSTRUCTIONS FOR KEEP WARM

1. Remove pan and rack.
2. Plug into 120 V ~ 60 Hz outlet.
3. Turn OVEN control to 200° and TIMER to desired time or to Stay On. The power light will come on.
4. Center a baking container or food on the rack, or use bake pan; place in lower rack position and close door.
5. When finished open the door and remove food. Turn the OVEN and TIMER controls to the OFF position. The power light will go off.
6. Unplug and allow to cool completely before cleaning.

HINTS FOR KEEP WARM

- Use for short periods of time after food is cooked.
- To heat frozen or cold foods, see instructions for defrost.

INSTRUCTIONS FOR BAKE

1. Remove pan and rack.

2. Plug into 120 V ~ 60 Hz outlet.
3. Turn OVEN control to desired setting. Turn TIMER to desired time or to Stay On. If utilizing timed baking, allow approximately 7 minutes for preheat. The power light will come on.
4. Center a baking container or food directly on rack or use bake pan. Place in lower rack position of oven and close door.
5. Bake according to package or recipe directions.
6. When finished turn OVEN and TIMER controls to the OFF position. The power light will go off.
7. Unplug and allow to cool before cleaning.

HINTS FOR BAKE

- To prevent heat loss, avoid opening door excessively.
- Foil may be used to cover glass-ceramic baking container if ends are tucked closely against edge of pan.

INSTRUCTIONS FOR DEFROST

1. Remove pan and rack.
2. Plug into 120 V ~ 60 Hz outlet.
3. Turn OVEN control to 200° and TIMER to desired time or to Stay On. The power light will come on.
4. Place rack in lower rack position of oven.
NOTE: For the model 356, push the rack into the oven until it is between the rack guides and then close the door.
5. Center a baking container or food on rack or use bake pan.
NOTE: Defrost will take approximately 1/3 of the time recommended on the package for defrosting at room temperature.
6. When finished turn the OVEN and TIMER controls to the OFF position. The power light will go off.
7. Unplug and allow to cool completely before cleaning.

HINTS FOR DEFROST

- Do not use this method for meat, poultry or fish.
- Do not cover food.
- Brush frozen dough with vegetable oil to prevent drying out and remove food to preheat oven before baking.

INSTRUCTIONS FOR BROIL

1. Remove pan and rack.
2. Place broil insert in bake pan and position food on broil insert.
3. Place rack in lower rack position of oven.
NOTE: For the model 356, push the rack into the oven until it is between the rack guides and then close the door.
4. Plug into 120 V ~ 60 Hz outlet.
5. Turn OVEN control to broil and TIMER to desired time or to Stay On.
6. Broil according to package or recipe instructions.
7. When finished turn OVEN and TIMER controls to the OFF position. The power light will go off.
8. Unplug and allow to cool completely before cleaning.

HINTS FOR BROIL

- Always use pan with the broil insert; this allows juices and fat to drip into tray and decreases spattering while broiling.
- Do not place aluminum foil on top of broil insert; this traps grease and can cause a fire.

- Trim excess fat from meat and score edges to reduce curling and smoke.
- Always thaw meats before broiling.
- Remove grease from tray and wash after each use.

CLEAN-UP OF INTERIOR

Model 356 Only:

Your toaster-oven-broiler features a removable crumb tray.

1. Always unplug and allow to cool completely before cleaning or moving.
2. Remove pan and rack. Wash with a non-abrasive cleaner, rinse and dry thoroughly or clean in a dishwasher.
3. Remove crumb tray by grasping crumb tray handle and pull straight out. Wash and dry thoroughly by hand.
4. Slide crumb tray (with edges facing up) back into the opening below the oven door.
5. Clean interior with a mild or non-abrasive cleaner and plastic scouring pad after each use to avoid buildup. Do not rub too hard as surface can be scratched.
6. Rinse and dry thoroughly before closing oven door.

Model 357 Only:

Your toaster-oven-broiler features a removable interior that is dishwasher safe.

1. Always unplug and allow to cool completely before cleaning or moving.
2. Remove pan and rack. Wash with a non-abrasive cleaner, rinse and dry thoroughly or in a dishwasher.
3. Carefully remove the interior by grasping the wire handle and by pulling straight out, see Figure 2.
4. Clean with a mild non-abrasive cleaner and rinse and dry thoroughly. The interior may also be placed in the dishwasher for cleaning.
5. Slide interior back into the oven and close oven door.

CLEAN-UP OF OVEN DOOR AND EXTERIOR

1. Always unplug and allow to cool completely before cleaning or moving.
2. Clean with glass cleaner or mild detergent and damp cloth or plastic scouring pad. Do not use an abrasive cleaner or pad as they might scratch the finish.
3. Rinse and dry thoroughly with a clean cloth. Allow to dry before closing door.

Any servicing requiring disassembly other than the above cleaning must be performed by an authorized service center.

SERVICE INFORMATION

Please refer to warranty statement to determine if in-warranty service applies. This appliance must be serviced by a Toastmaster authorized service center. Unauthorized service will void warranty. Consult your phone directory under "Appliances-Household-Small-Service and Repair," or call 1-800-947-3744 in the U.S. and Canada, 52-5-397-2848 in Mexico.

If an authorized service center is not available locally, your appliance may be returned postage prepaid to our National Service Center at the address shown on the back of this book.

Products must be adequately protected to avoid shipping damage. Surround your appliance with three inches of protective padding and include a copy of your dated sales receipt and a note explaining the problem you have experienced. We recommend insuring your package. No CODs accepted.

ONE YEAR LIMITED WARRANTY

Toastmaster Inc. warrants this product, to original purchaser, for one year from purchase date to be free of defects in material and workmanship.

This warranty is the only written or express warranty given by Toastmaster Inc. This warranty gives you specific legal rights. You may have other rights which vary from state to state. ANY OTHER RIGHT WHICH YOU MAY HAVE, INCLUDING ANY IMPLIED WARRANTY OF MERCHANTABILITY OR FITNESS FOR A PARTICULAR PURPOSE IS LIMITED IN DURATION TO THE DURATION OF THIS WARRANTY.

Defective product may be brought or sent (freight prepaid) to an authorized service center listed in the phone book, or to Service Department, Toastmaster Inc., 708 South Missouri St., Macon, MO 63552 for free repair or replacement at our option.

Your remedy does not include: cost of inconvenience, damage due to product failure, transportation damages, misuse, abuse, accident or the like, or commercial use. IN NO EVENT SHALL TOASTMASTER INC. BE LIABLE FOR INCIDENTAL OR CONSEQUENTIAL DAMAGES.

Some states do not allow limitations on how long an implied warranty lasts, or allow the exclusion or limitation of incidental or consequential damages, so the above limitations or exclusions may not apply to you.

For information, write Consumer Claims Manager, at the Macon address. Send name, address, zip, telephone area code and daytime number, model, serial number, and purchase date.

KEEP DATED SALES RECEIPT FOR WARRANTY SERVICE.

Keep this booklet. Record the following for reference:

Date purchased _____

Model number _____

Date code (stamped on bottom) _____

Toastmaster Inc.

National Service Center
708 South Missouri St.
Macon, MO 63552

In USA and Canada call:

Consumer Service 1-800-947-3744

Consumer Parts 1-800-947-3745

Hours: 8:00 a.m. - 4:30 p.m. CST

Aux E.-U. et au Canada, veuillez appeler

Service consommateur : 1-800-947-3744

Pièces détachées consommateur : 1-800-947-3745

Heures ouvrables : 8 h - 16 h 30 Heure Centrale

En México - 52-5-397-2848

Horario: 8:00 a.m. hasta 4:30 p.m.,
hora del Centro

Toastmaster de México, SA de CV

Cerrada de Recursos

Hidráulicos Numero 6

La Loma Industrial

Tlalnepantla de Baz, C.P. 54060

Estado de México

CONTACT US/APPELZ



1-800-947-3744



www.toastmaster.com



consumer_relations@toastmaster.com

PART NO. 33620P01

ESPECIFICACIONES TECNICAS

Potencia Nominal (Watts)

1568 W

Tension de Alimentacion o Tension Nominal (Volts)

127 V ~

Frecuencia de Operacion o Frecuencia Nominal (Hertz)

60 Hz