

Connect^{Io}[™]

INTELLIGENT OVEN[™]

Model PS302SS01 Professional Series
Internet Connected
30" Electric Built-In Double Wall Oven



Installation Instructions

Part No. 101769

- 2 Before You Start
- 3 Electrical Requirements
- 3 Internet & Network
- 4 Product Dimensions
- 5 Cabinet Dimensions
- 6 Cabinet Requirements
- 7 - 13 Installation Steps & Final Checklist
- 14 Cleaning Your Oven
- 14 More Information
- 14 Customer Service




Connect^{Io}[™]
INTELLIGENT OVEN[™]

IMPORTANT: Read and Save These Instructions

INSTALLER: LEAVE THESE INSTRUCTIONS WITH THE HOME OWNER.



HOME OWNER: KEEP THESE INSTRUCTIONS FOR LOCAL ELECTRICAL INSPECTOR'S USE AND FUTURE REFERENCE.

BEFORE YOU START

-  **CAUTION: Oven is heavy. Use care in handling.**
-  **Proper Installation is your responsibility.** Ensure the oven is electrically connected by a qualified electrical installer and conforms with the National Electrical Code, ANSI/NFPA 70 - latest edition, or in CANADA, Canadian Electrical Code, CSA C22.1-1982 and C22.2 No. 01982 - latest edition.
-  **Do not use this appliance for space heating.**
 - ✓ We **STRONGLY RECOMMEND** running CAT5 cable to where the back of the oven will be located.
 - ✓ **Observe all governing codes and ordinances.**
 - ✓ **Do not remove permanently affixed labels, warnings, or plates from the oven!** These are important for your safety.
 - ✓ **Always disconnect the electrical supply** to the oven before servicing.
 - ✓ Electrical Preparation: Cut out a Square opening (sized to the junction box) in the top left rear corner of the oven cabinet and/or sheet rock to enable the 4-wire oven electrical cord to pass through the cabinet, and connect to the household electrical supply. See *Cabinet Dimensions* (page 5) for details.

- ✓ Ensure that the oven is properly grounded. See *Electrical Requirements* (page 3) and *Installation Steps: Step 3. Electrical Connections* (page 9) for details.
- ✓ Required cabinet cutout width is 28 5/8" (72.7 cm).
- ✓ Required cabinet cutout depth is 24" (60.9 cm).
- ✓ Oven support surface should be flat, level, and be able to support a weight greater than 575 pounds (261 kg).
- ✓ Recessed installation area must provide complete enclosure surrounding the recessed portion of the oven.
- ✓ Oven location should be away from strong draft areas (windows/doors) and strong heating vents.

SPECIAL SYMBOLS

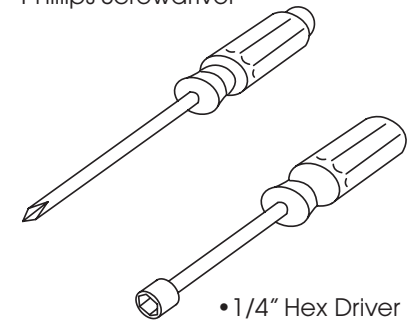
-  This is a safety alert. Always read and obey all safety messages. This symbol warns you of potential hazards that can hurt or kill you and others.
-  This is an information symbol and indicates additional detailed instructions in this manual.

⚠ WARNING!

You can be seriously injured if you don't follow the instructions in this manual before you start.

TOOLS NEEDED

- Phillips Screwdriver



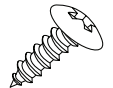
- 1/4" Hex Driver

PARTS SUPPLIED

- Qty. 4 Phillips Cabinet Mounting Screws



- Qty. 4 Phillips Finish Trim Mounting Screws



(Factory installed under bottom vent trim. See page 12)

i ELECTRICAL REQUIREMENTS

- ✓ **The *Connect Io Intelligent Oven* requires a separate, grounded 4-wire, 240V (AC), 50 Amp service with its own circuit breaker.**
- ✓ **Wire sizes and connections must conform** with the rating of the appliance and to the requirements of the National Electrical Code, ANSI/NFPA 70 - latest edition, or Canadian Electrical Code, CSA C22.1-1982 and C22.2 No. 01982 - latest edition, and all local codes and ordinances.
- ✓ **Oven must be connected to the proper electrical voltage and frequency** as specified on the model/serial rating plate (located underneath the right side of control panel).
- ✓ **Oven must be connected to grounded metal permanent wiring system.** Check with a qualified electrician to make sure the oven is properly grounded.
- ✓ **Do not ground to a gas pipe.**
- ✓ **Do not use an extension cord with this appliance, because this may result in electrical shock or other personal injury.**

- ✓ This unit is equipped with a No. 10 ground wire in the conduit.
- ✓ The electrical conduit must be kept to the top left for a flush installation. **Never cut the conduit.**

Connect the flexible armored cable directly to 4-wire, 240V household service. If codes permit and separate grounding wiring is used, we recommend that a qualified electrician determine the grounding path and that the wire gauge is in accordance with local codes.
- ✓ **Junction boxes installed on rear wall behind oven must be recessed** and located at the upper left-hand corner of the cabinet.
- ✓ A UL-Listed conduit connector must be provided at the junction box.
- ✓ Do not install a fuse in the neutral or grounding circuit. We recommend a time-delayed fuse or circuit breaker. Connect directly to the fused disconnect (or circuit breaker box) through flexible armored, or non-metallic sheathed, copper cable (with grounding wire).

IMPORTANT if location utilizes aluminum wiring:

- Connect the aluminum wiring to the copper wire using special connectors designed and UL listed for joining aluminum to copper.
- Aluminum/copper connection must conform with local codes and industry accepted wiring practice.

Electrical Specifications:

- Maximum Amp Usage: **46.7A**
- Preheat Rating: **5300W**
- Broil Element Rating: **3300W**
- Baking Element Rating: **2000W**
- Convection Element Rating, **1650W**

i INTERNET & NETWORK

- ✓ **A broadband (DSL or cable modem) Internet connection is required.** Dial-up Internet services are not supported.
- ✓ The oven either can be connected to a home network or connected directly to an Internet Service Providers' (ISP's) network box inside the home.
- ✓ We recommend running a CAT5 cable to the back of the oven, where a RJ45 network connector is mounted.
- ✓ The oven's RJ45 connector enables direct hard-wiring either ethernet or wireless bridge connections.
- ✓ **The oven will configure its settings via DHCP automatically.** If your network environment is not configured to handle DHCP, you must manually configure the oven Internet settings by entering: (1) the IP address, (2) network mask, (3) the gateway IP address, and (4) DNS server address.

NOTE: If the oven is not connected to the Internet, it will still cook and refrigerate, but all connections to outside the home will be unavailable.

ConnectIo™
INTELLIGENT OVEN™



4

Designed and manufactured in the USA with pride by TMIO, LLC • Chattanooga, TN • US toll-free +1.800.881.TMIO (8646) • www.tmio.com
Connect Io™, Intelligent Oven™, Intelligent Ovens™, Green Clean™, and TMIO® are registered trademarks of TMIO, LLC.

Connect^{Io}[™]
INTELLIGENT OVEN[™]



5

Designed and manufactured in the USA with pride by TMIO, LLC • Chattanooga, TN • US toll-free +1.800.881.TMIO (8646) • www.tmio.com
Connect Io[™], Intelligent Oven[™], Intelligent Ovens[™], Green Clean[™], and TMIO[®] are registered trademarks of TMIO, LLC.



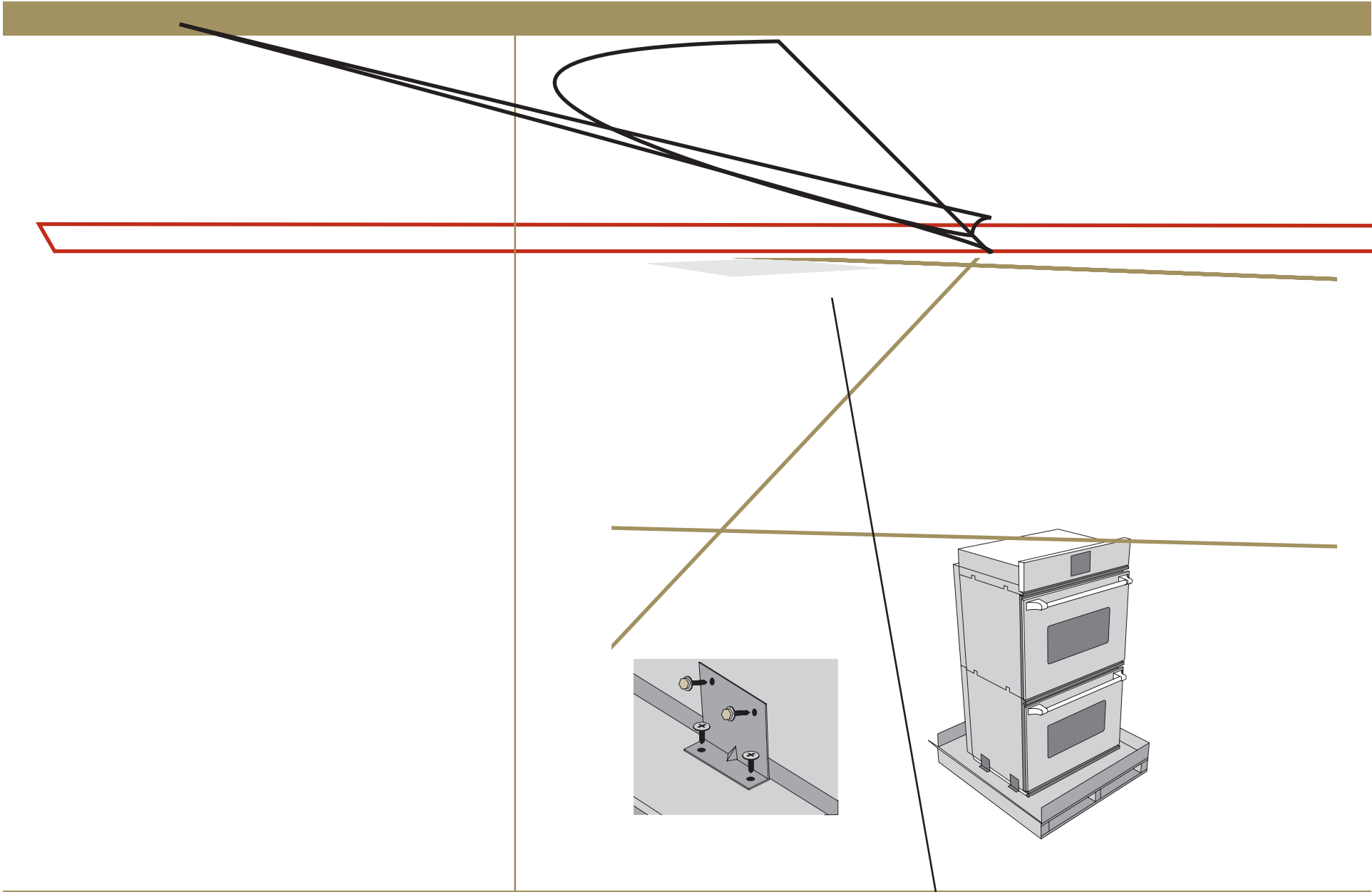
(5.1 cm)7from

Connect^{Io}TM
INTELLIGENT OVENTM



6

Designed and manufactured in the USA with pride by TMIO, LLC • Chattanooga, TN • US toll-free +1.800.881.TMIO (8646) • www.tmio.com
Connect IoTM, Intelligent OvenTM, Intelligent OvensTM, Green CleanTM, and TMIO[®] are registered trademarks of TMIO, LLC.



Connect^{Io}[™]
INTELLIGENT OVEN[™]

TMIO[®]

7

Designed and manufactured in the USA with pride by TMIO, LLC • Chattanooga, TN • US toll-free +1.800.881.TMIO (8646) • www.tmio.com
Connect Io[™], Intelligent Oven[™], Intelligent Ovens[™], Green Clean[™], and TMIO[®] are registered trademarks of TMIO, LLC.

INSTALLATION STEPS

STEP 2. Removing Oven Doors

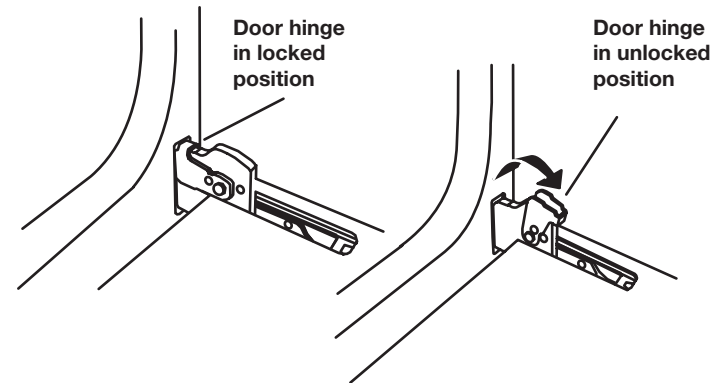
① Remove the oven door before lifting the oven into the cabinet. This will reduce the weight of the oven and avoid serious damage if the handles are used to lift the unit.

See "Door Removal". 

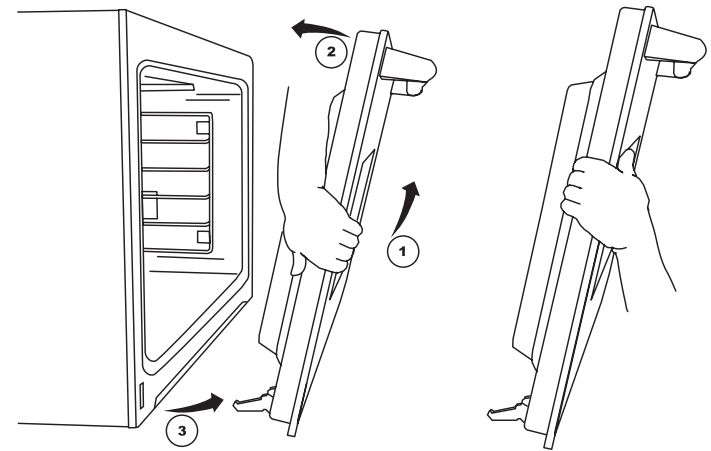
② Before lifting the product, remove oven door, wire racks, oven trays, broiler pan, wine glasses, and all cardboard packaging from both oven cavities.

 **DOOR REMOVAL:** Remove door before installing the oven to ensure handle/oven door are NOT used to lift oven.

- Open the door fully.
- In both back corners of the door you will see door catches in the locked position. Rotate the top of the catches on both hinges fully towards you until the catches stop.



- Squarely facing the front of the oven, firmly grasp each side of the oven door near the handle. Begin closing the door to nearly upright. When door stops closing, lift up the door slightly and pull out, swinging the bottom of the door out towards you.
- Place door on a protective surface to prevent scratches on the door surface.

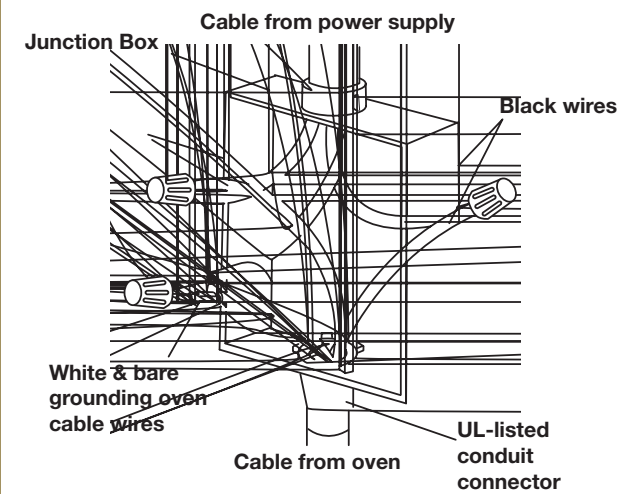


Hand grip position for lower door

Hand grip position for upper door

Bare or green
grounding wire

Figure 2.





Connect^{Io}[™]
INTELLIGENT OVEN[™]



Connect^{Io}[™]
INTELLIGENT OVEN[™]


TMIO

12

Designed and manufactured in the USA with pride by TMIO, LLC • Chattanooga, TN • US toll-free +1.800.881.TMIO (8646) • www.tmio.com
Connect Io[™], Intelligent Oven[™], Intelligent Ovens[™], Green Clean[™], and TMIO[®] are registered trademarks of TMIO, LLC.


INSTALLATION STEPS

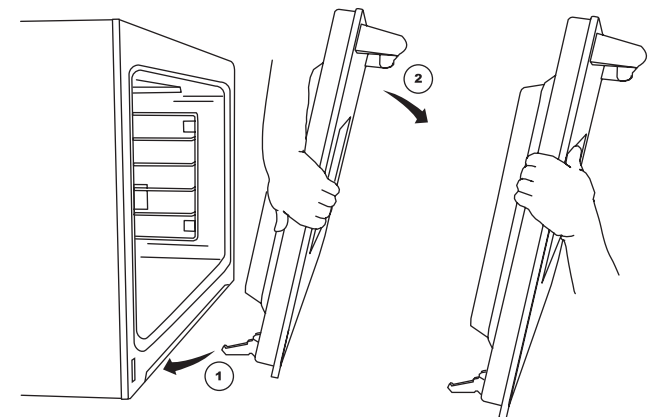
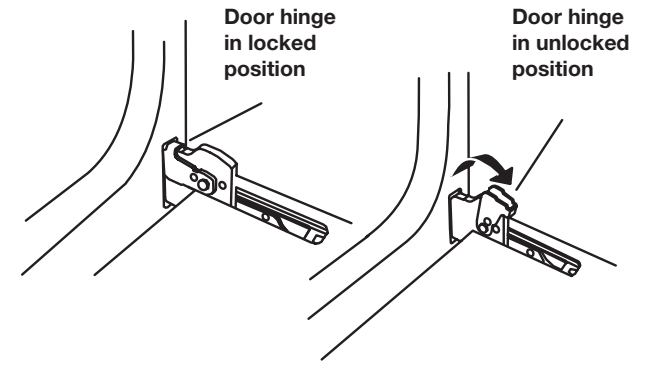
STEP 7. Final Checklist

- ① Make sure the oven is level, and securely fitted/ attached to the oven cabinetry.
- ② Reinstall oven door. See “Door Attachment”. 
- ③ Make sure to remove all internal packaging from the oven cavity, and replace the oven racks.
- ④ Make sure all oven vents and opening are clear and free of any obstruction.
- ⑤ Some stainless steel parts will have a protective plastic wrap. Peel off this plastic wrap. Remove all blue plastic tape.
- ⑥ Turn ON the power to the oven at the electrical box.
- ⑦ Refer to *Step 4, Network Connections* (page 10, steps 2 – 7) to test and verify your Network Connections.

DOOR ATTACHMENT:

- Place both hinge arms back in the slots of the hinge receiver.
- Push the hinge arms in as far as they will go until the bottom of the door meets the frame of the oven. When inserted properly, the hooks on the hinge arms will automatically lock onto the hinge receiver. When the hinge arms are securely inserted and locked into the hinge receiver, you will not be able to pull the door out towards you.
- Lower the door gently.
- Rotate the catches back away from you until the catches rest squarely against the oven frame.
- The door can now be closed.
- If door appears tilted, it is not inserted properly into the hinge receivers. Remove the door and repeat Door Attachment steps until door is correctly aligned, and securely fastened.
- Repeat for the second oven door.

 **WARNING! Misuse of oven door (e.g. stepping, sitting, or leaning on them) can result in possible hazards and/or injuries.**



Hand grip position for lower door

Hand grip position for upper door

CLEANING YOUR OVEN

Cleaning Tips & Precautions

- ✓ **OVEN INTERIOR**
Wash the interior of the *Connect Io* oven thoroughly with hot, soapy water to remove film residues and any installation dust or debris before use for food preparation. Follow this washing procedure by rinsing and wiping dry. Solutions stronger than soap and water are rarely needed.

- ✓ **STAINLESS STEEL SURFACES**
Wipe clean stainless steel surfaces using a cleaner intended specifically for stainless steel. TMIO recommends using the Cerama Bryte® stainless steel cleaning polish and conditioner for your *Connect Io* stainless steel components.

Do NOT use a metal knife, spatula, or any other metal tool to scrape encrusted material on stainless steel! Scratches are almost impossible to remove.

Do NOT use steel wool, abrasive cloths, non-stainless steel cleaners, or powdered cleansers on stainless steel to remove debris.

MORE INFORMATION

Other Tips & References

Keep the *Connect Io Installation Manual* in a convenient location near the *Connect Io Intelligent Oven* for easy reference.

Please also read the *Connect Io Use & Care Manual* before operating the *Connect Io Intelligent Oven*. This manual is also included with your purchase.

CUSTOMER SERVICE

Contact TMIO

For more information, help with installation or operation of your *Connect Io Intelligent Oven*, please contact TMIO at:

TMIO Customer Service
+1.800.881.TMIO (8646)
customerservice@tmio.com
www.tmio.com
1220A Flynn St.
Chattanooga, TN 37403 USA

When contacting TMIO Customer Service, please have ready: (1) product model number and (2) product serial number—for faster service. Both numbers are found on the model/ rating plate underneath the right side of the control panel. Write them down in the spaces provided below for easy reference:

Model #

Serial #

REPLACEMENT PARTS:

Only authorized replacement parts may be used in performing service on the *Connect Io Intelligent Oven*. Do not repair or replace any part of the appliance unless specifically recommended in the *Connect Io Use & Care Manual*. All other servicing should be referred to a qualified technician.

Please also visit www.tmio.com for more detailed *Connect Io* customer service information.

