

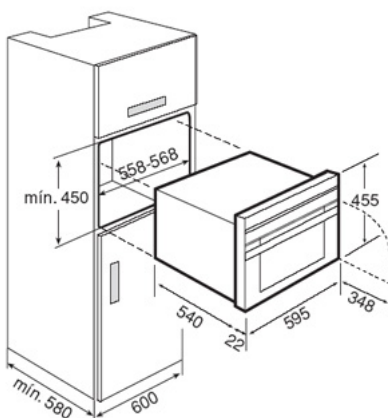
HKX 960 S



CHARACTERISTICS

- . Steam oven
- . 2 cooking functions (steam and regeneration)
- . Touch control panel
- . LCD display
- . Capacity: 35 litres
- . Stainless steel (fingerprint proof)
- . Temperature range: 40°-100°C
- . 4 cooking levels
- . 4 direct access menus (vegetables, fish, meat and side dishes)
- . Defrost function
- . External steam generator
- . 1,2 litres water tank under control panel
- . Forced ventilation
- . Double glass door
- . Inox tray supports
- . Indicators for: automatic limescale and lack of water
- . Door opening security disconnection
- . Children safety block
- . 2 rectangular stainless steel trays (20 and 40 mm depth)

TECHNICAL DRAWING



Overall measurements (mm)

Height/Width/Depth	455/595/472
--------------------	-------------

Inner measurements (mm)

Height/Width/Depth	210/420/390
Capacity litres	35

Electrical connection

Voltage 220-240 V	•
Frequency 50-60 Hz	-/•
Maximum connection rating (W)	1500

Power consumption

Bottom heat (W)	-
Grill/Maxi Grill (W)	-
Traditional (W)	-
Turbo (W)	-
Motor turbo multifunction (W)	-
Turnspit motor (W)	-
Interior light (W)	15
Cooling fan motor (W)	25

Features

Cooking functions	2
Touch control digital programmer	•
Digital timer with start/stop programmer	-
Analogic timer with start/stop programmer	-
Analogic timer with stop programmer	-
Mechanical timer with stop programmer	-
Pop-up control knobs	-
Express preheating	-
Cooking levels	4
Telescopic tray guides	-
Chromed tray guides	S/steel
Mix Chamber System (MCS)	-
Fume scape outlet	Vault
Drop-down grill	-

Safety systems

Door opening security disconnection	•
Children safety block option	•
Anti-tip tray system	-
Safety thermostat	-
Glazed door	2

Cleaning system

Self-cleaning panels	-
Crystal clean enamel	-
Pyrolytic cleaning	-
Fingerprint proof stainless steel	•

Accessories

Baking tray	2 (S/steel)
Deep tray (50 mm)	-
Roasting tray	-
Chromed roasting grid	-
Turnspit	-
Tray handle	-

Energy efficiency

Energy label	-
--------------	---