

INSTALLATION GUIDE

Convection Steam Oven



Contents

Wolf Convection Steam Oven	3
Convection Steam Oven Specifications	4
Convection Steam Oven Installation	12
Service Information	15

Features and specifications are subject to change at any time without notice. Visit wolfappliance.com/specs for the most up-to-date information.

IMPORTANT NOTE: Throughout this guide, dimensions in parentheses are millimeters unless otherwise specified.

Important Note

To ensure the safe and efficient use of Wolf equipment, please take note of the following types of highlighted information throughout this guide:

IMPORTANT NOTE highlights information that is especially important.

CAUTION signals a situation where minor injury or product damage may occur if instructions are not followed.

WARNING states a hazard that may cause serious injury or death if precautions are not followed.



Convection Steam Oven Installation

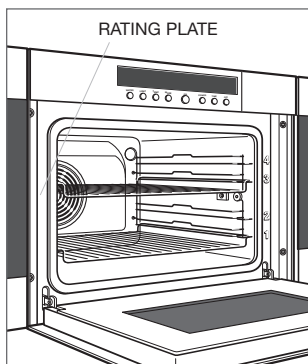
IMPORTANT NOTE: This installation must be completed by a qualified installer or Wolf authorized service center technician.

Read this entire installation guide prior to installation and save for the local inspector's reference. The homeowner should keep this installation guide for future reference.

This appliance must be installed in accordance with National Electrical Codes, as well as all state, municipal and local codes. The correct voltage, frequency and amperage must be supplied to the appliance from a dedicated, grounded circuit which is protected by a properly sized circuit breaker or time delay fuse. The proper voltage, frequency and amperage ratings are listed on the product rating plate.

Record the model and serial numbers before installing the convection steam oven. Both numbers are listed on the product rating plate located on the left oven side trim. The oven door must be open to view the rating plate. Refer to the illustration below.

Wolf Convection Steam Oven	
Model Number	CSO24
Serial Number	

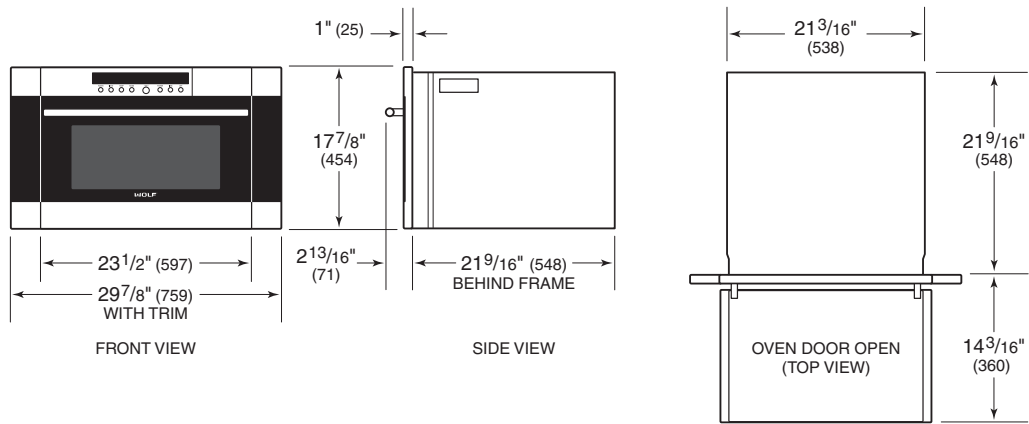


Location of rating plate.

Overall Dimensions

CONVECTION STEAM OVEN

Model CSO24



Convection Steam Oven

The convection steam oven can be installed with or without side trim in a standard or flush inset application. The installation opening must have a flat, level base to support the oven. A minimum base support of 100 lbs (45 kg) is required. The electrical supply for the oven must be located in an adjacent cabinet.

STANDARD INSTALLATION

For standard installations, the convection steam oven is installed by inserting into cabinetry from the front. The oven has face trim on the top and both sides that will overlap stiles and rails. Refer to the chart below for trim overlaps.

Oven Trim Overlap	
Top Overlap	$\frac{3}{16}$ " (5)
Bottom Overlap	0" (0)
Side Overlap (without trim)	$\frac{5}{8}$ " (16)
Side Overlap (with trim)	$3\frac{13}{16}$ " (97)

FLUSH INSET INSTALLATION

For flush inset installations, a minimum $\frac{1}{8}$ " (3) reveal is required on all four sides. The inside edges of the rough opening must be finished, as they will be exposed when the oven door is open. These edges should be stained instead of having a laminated surface, to avoid damage from high temperatures and steam.

COMBINATION INSTALLATIONS

The Wolf convection steam oven with trim is designed and agency approved for installation with Wolf cooktops, built-in ovens, microwaves and warming drawers only. If it is being installed above or below an E series oven in a flush inset application, a $\frac{1}{4}$ " (6) reveal is required.

For typical combination installations, refer to the illustrations on pages 9–11.

Electrical Requirements

IMPORTANT NOTE: Unless you are using cabinets deeper than 24" (610) for a standard installation or 25" (635) for a flush inset installation, the electrical supply for the convection steam oven must be placed in an adjacent cabinet within reach of the 6' (1.8 m) power cord. Choose the electrical location shown in the illustrations on the following pages that best suits your installation.

IMPORTANT NOTE: You must follow all National Electrical Code regulations. In addition, be aware of local codes and ordinances when installing your service.

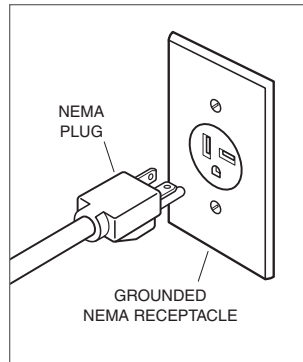
IMPORTANT NOTE: Performance may be compromised if the electrical supply is less than 240 volts.

A ground fault circuit interrupter (GFCI) is not recommended and may cause interruption of operation.

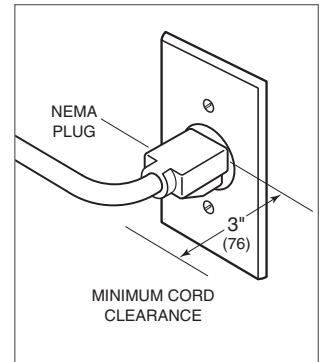
Electrical Requirements	
Electrical Supply	240/208 V AC, 60 Hz
Service	20 amp dedicated circuit
Receptacle	NEMA 6-20R grounding-type
Power Cord	6' (1.8)

⚠ WARNING
ELECTRICAL SHOCK HAZARD: Plug into a grounded 3-prong outlet. Do not remove ground prong. Do not use an adapter. Failure to follow these instructions can result in electric shock, fire or death.

To minimize shock hazard, the power cord must be plugged into a grounding-type receptacle, grounded to conform with the National Electrical Code, ANSI/NFPA 70 latest edition, or Canadian Electrical Code (CSA) and all local codes and ordinances. Refer to the illustrations below.



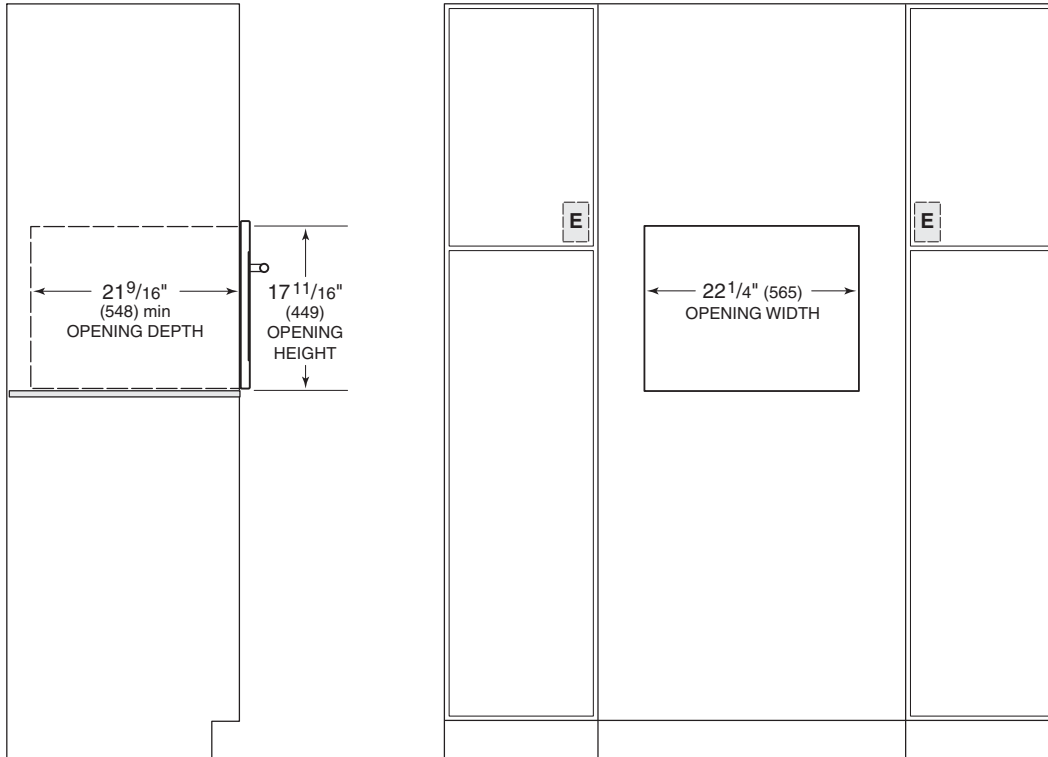
NEMA 6-20R receptacle.



Power cord clearance.

Standard Installation

CONVECTION STEAM OVEN



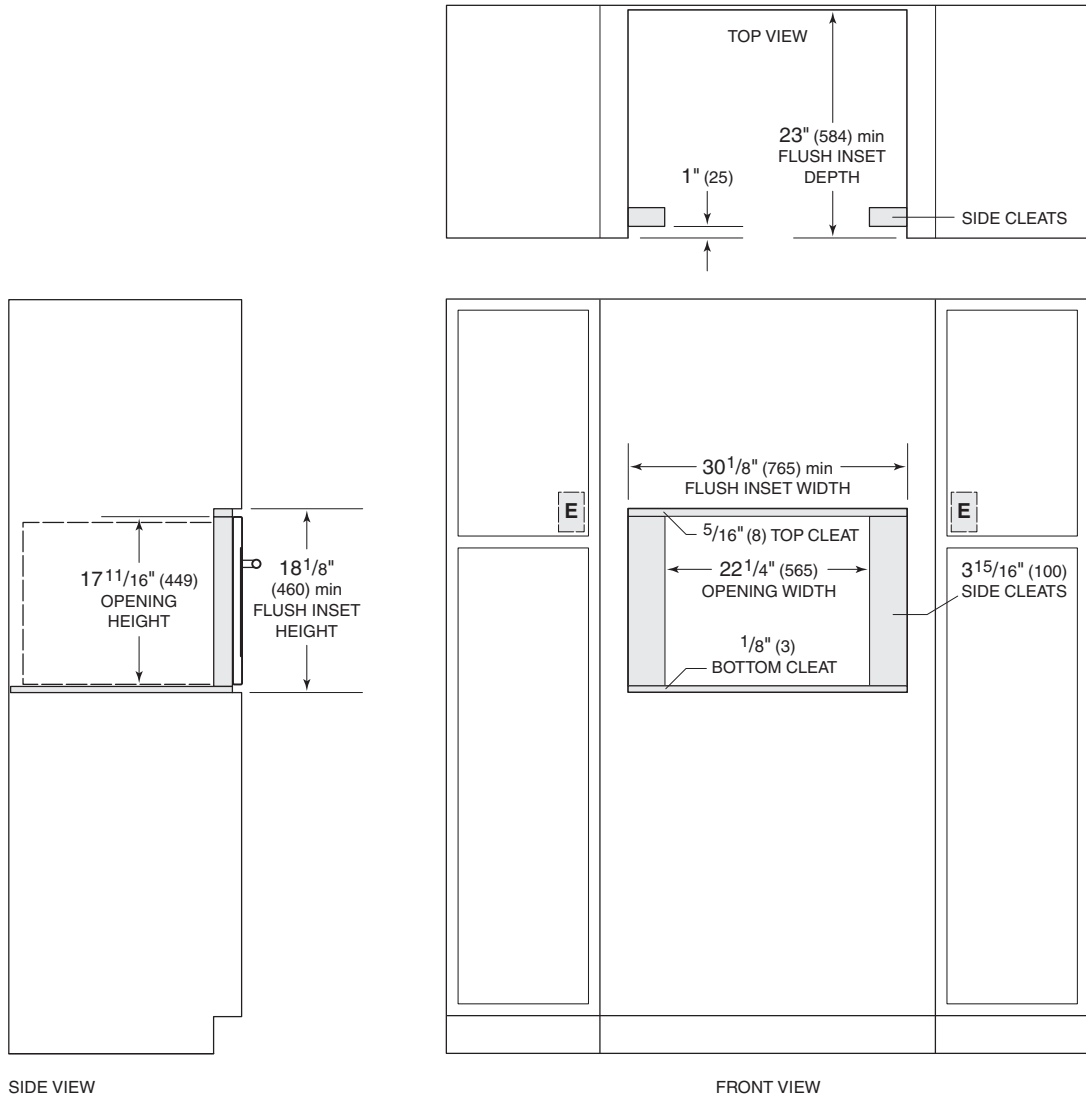
SIDE VIEW

FRONT VIEW

NOTES: Minimum base support 100 lbs (45 kg).
Electrical supply must be located in adjacent cabinet within 3' (.9 m) of opening.
Dashed line represents profile of unit.

Flush Inset Installation

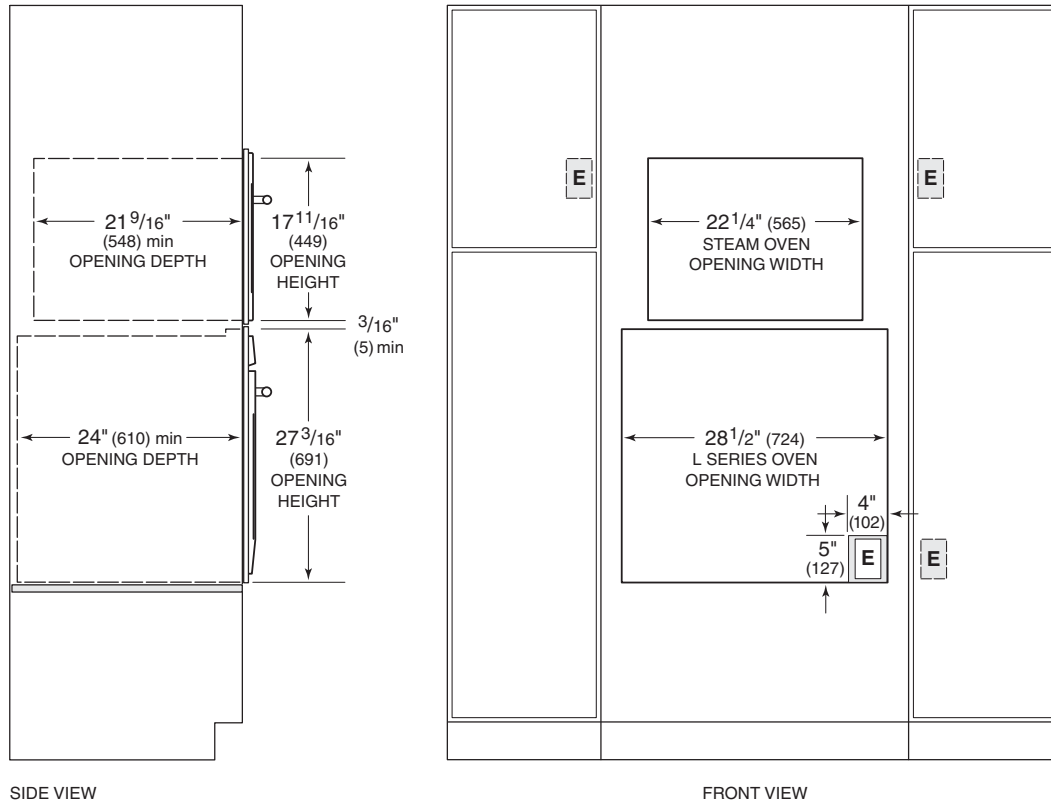
CONVECTION STEAM OVEN



NOTES: Minimum base support 100 lbs (45 kg).
 Electrical supply must be located in adjacent cabinet within 3' (.9 m) of opening.
 Cleats may be visible and should be finished to match cabinetry.
 Dashed line represents profile of unit.

Standard Installation

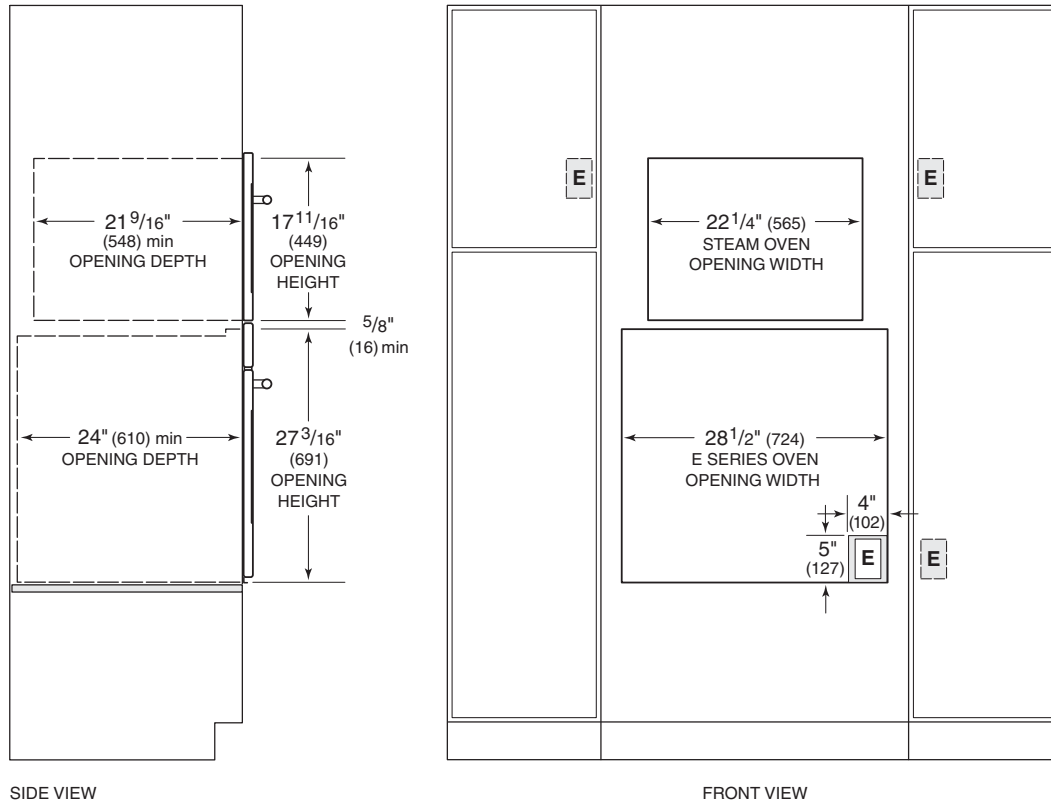
CONVECTION STEAM OVEN AND L SERIES OVEN



NOTES: Minimum base support for steam oven 100 lbs (45 kg) and L series oven 250 lbs (113 kg).
 Electrical supply for steam oven must be located in adjacent cabinet within 3' (.9 m) of opening.
 Location of electrical supply within L series oven opening may require additional cabinet depth.
 Dashed line represents profile of unit.

Standard Installation

CONVECTION STEAM OVEN AND E SERIES OVEN



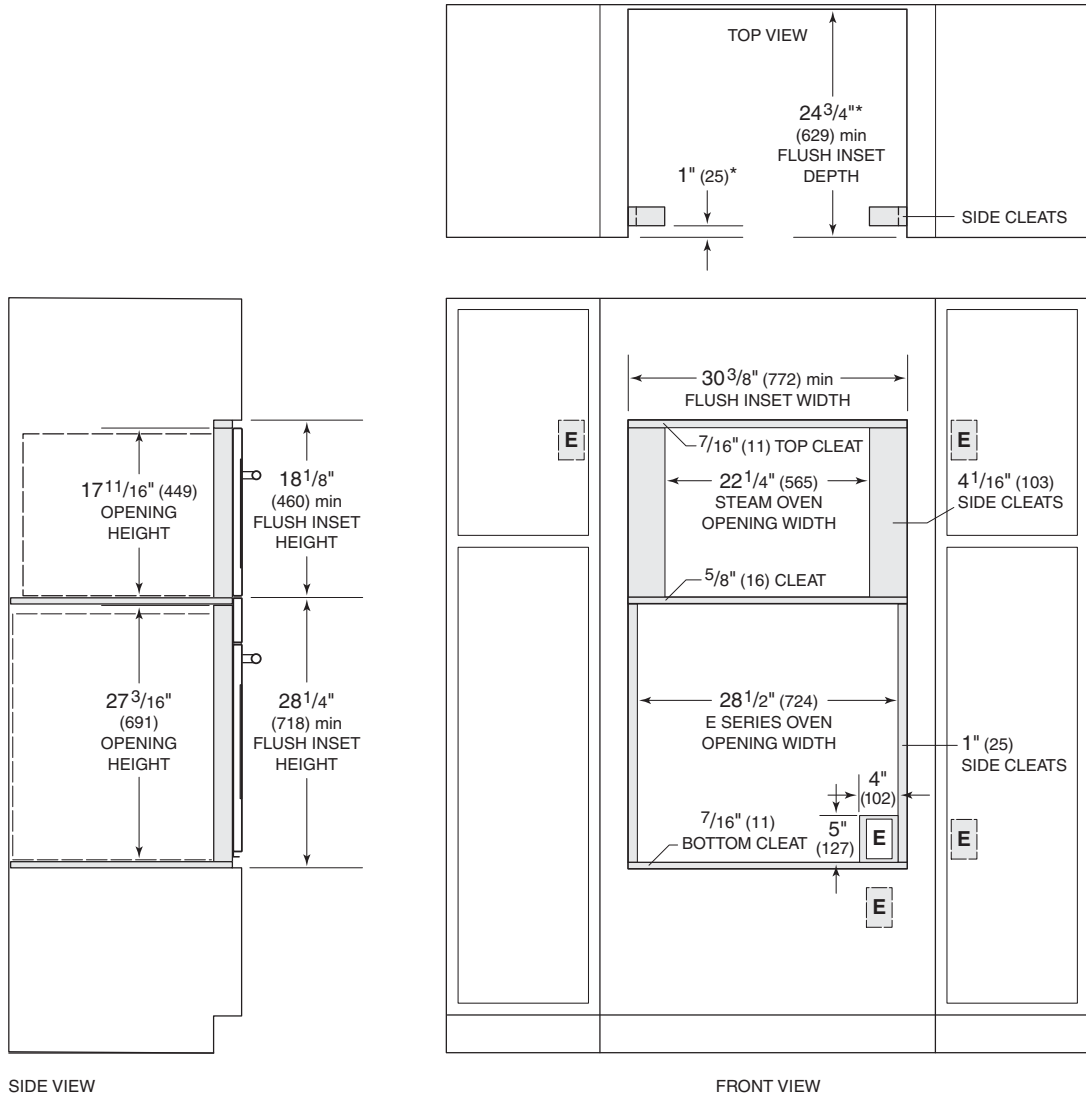
SIDE VIEW

FRONT VIEW

NOTES: Minimum base support for steam oven 100 lbs (45 kg) and E series oven 250 lbs (113 kg).
 Electrical supply for steam oven must be located in adjacent cabinet within 3' (.9 m) of opening.
 Location of electrical supply within E series oven opening may require additional cabinet depth.
 Dashed line represents profile of unit.

Flush Inset Installation

CONVECTION STEAM OVEN AND E SERIES OVEN



*For black glass model, increase dimension by $1/4''$ (6).

NOTES: Minimum base support for steam oven 100 lbs (45 kg) and E series oven 250 lbs (113 kg).
 Electrical supply for steam oven must be located in adjacent cabinet within 3' (.9 m) of opening.
 Location of electrical supply within E series oven opening may require additional cabinet depth.
 Cleats may be visible and should be finished to match cabinetry.
 Dashed line represents profile of unit.

Install the Oven

WITHOUT TRIM

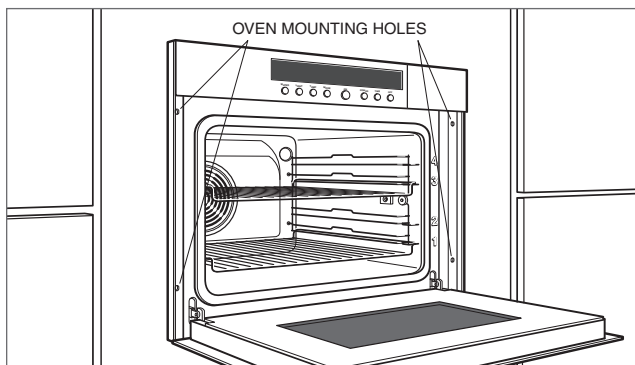
IMPORTANT NOTE: Before moving the oven, protect any finished flooring and cabinetry to avoid damage.

- 1) Move the convection steam oven into position near the installation opening. Remove and discard packing materials.
- 2) Carefully place the oven in the opening. Resting the oven on the cabinet base support, slide the unit into the opening until it is approximately 6" (152) from being fully installed. Guide the power cord through the opening of the adjacent cabinet or base support as the oven is slid into position. Verify the power cord is not trapped between the oven and cabinet wall.
- 3) Once the oven is fully positioned in the opening, open the oven door and locate the four mounting holes on the oven side trim. Refer to the illustration below. Use a 1/16" drill bit to drill pilot holes into the cabinet.
- 4) Using the mounting screws provided, secure the oven to the cabinet.

IMPORTANT NOTE: To avoid interference, a 90° door stop may be required for any appliance or cabinet door installed next to the convection steam oven.

⚠ WARNING

Failure to install the mounting screws may cause the oven to tip forward during use.



Oven installation without trim.

Install the Oven

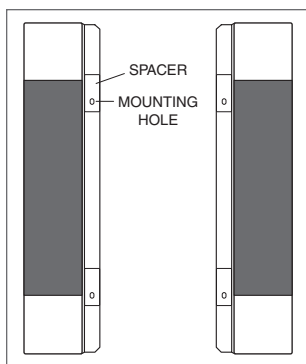
WITH TRIM

IMPORTANT NOTE: Trim kits are an optional sales accessory and not required to install the convection steam oven.

Depending on the trim kit you have purchased, trim panels may look slightly different than shown in the illustrations. Not all parts provided with the trim kit will be used for installation with the convection steam oven.

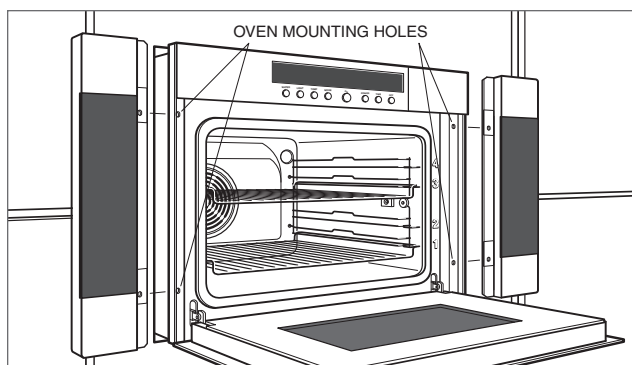
IMPORTANT NOTE: Before moving the oven, protect any finished flooring and cabinetry to avoid damage.

- 1) Move the convection steam oven into position near the installation opening. Remove and discard packing materials.
- 2) Position the trim panels as shown below. When properly oriented, the four mounting holes will be positioned near the bottom of the four spacers.



Trim panel orientation.

- 3) Carefully place the oven in the opening. Resting the oven on the cabinet base support, slide the unit into the opening until it is approximately 6" (152) from being fully installed. Guide the power cord through the opening of the adjacent cabinet or base support as the oven is slid into position. Verify the power cord is not trapped between the oven and cabinet wall.
- 4) Continue to slide the unit back into position until it is 1/4" (6) proud of the cabinet face frame. Open the oven door and locate the four mounting holes on the oven side trim. Refer to the illustration below. Use a 1/16" drill bit to drill pilot holes into the cabinet.
- 5) Locate the four mounting screws provided with the convection steam oven. Place the left trim panel behind the oven side trim. Slide the left side of the oven back and install two of the mounting screws just far enough to hold the trim in place. Repeat with the right trim panel.
- 6) To complete the installation, verify the trim panels align with oven trim and securely tighten all four mounting screws.



Oven installation with trim.

Verify Oven Operation

Before operating the convection steam oven, be sure to read the entire use & care guide included with the oven for important safety, operating and warranty information.

Turn on the electrical supply to the oven. Set the time of day by pressing the TIME button, input the time by rotating the control knob, and pressing the control knob once the desired hour is set. Rotate the control knob again for the desired minute, then press the control knob again.

Press the MODE button four times to select convection mode. Verify the oven is coming up to temperature.

IMPORTANT NOTE: A small amount of smoke and odor may be noticed during the initial break-in period. Refer to the convection steam oven use & care guide for additional information.

Troubleshooting

IMPORTANT NOTE: If the convection steam oven does not operate properly, follow these troubleshooting steps:

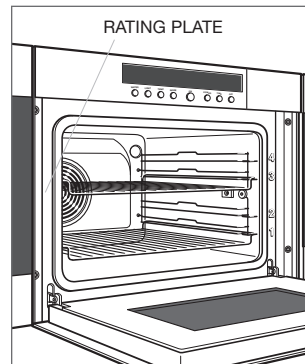
- Verify electrical power is being supplied to the oven.
- Check the electrical connections to ensure that the installation has been completed correctly.
- Refer to the troubleshooting guide in the convection steam oven use & care guide.
- If the oven still does not operate properly, contact Wolf factory certified service. Do not attempt to repair the oven yourself. Wolf is not responsible for service required to correct a faulty installation.

Service Information

If service is necessary, maintain the quality built into your convection steam oven by contacting Wolf factory certified service.

For the name and number of Wolf factory certified service nearest you, check the contact & support section of our website, wolfappliance.com or call Wolf customer care at 800-222-7820.

When calling for service, you will need the model and serial numbers of the convection steam oven. Both numbers are listed on the product rating plate located on the left oven side trim. The oven door must be open to view the rating plate. Refer to the illustration.



Location of rating plate.

The information and images in this guide are the copyright property of Wolf Appliance, Inc. Neither this guide nor any information or images contained herein may be copied or used in whole or in part without the express written permission of Wolf Appliance, Inc. ©Wolf Appliance, Inc. all rights reserved.

Wolf, Wolf & Design, Wolf Gourmet, W & Design and the color red as applied to knobs are registered trademarks and service marks of Wolf Appliance, Inc. Sub-Zero, Sub-Zero & Design, Dual Refrigeration, Constant Care and The Living Kitchen are registered trademarks and service marks of Sub-Zero, Inc. (collectively, the "Company Marks.") All other trademarks or registered trademarks are property of their respective owners in the United States and other countries.



WOLF APPLIANCE, INC. P. O. BOX 44848 MADISON, WI 53744 WOLFAPPLIANCE.COM 800.222.7820

821230 REV-A

8/2012

