



IMPORTANT FOR FUTURE REFERENCE

Please complete this information and retain this manual for the life of the equipment:

Model #: _____

Serial #: _____

Date Purchased: _____

Owner's Manual

Platinum Series Radiant Steakhouse Broiler

Models SSB-32, SSB-36, and SSB-45



⚠ WARNING

Improper installation, adjustment, alteration, service, or maintenance can cause property damage, injury, or death. Read installation, operation, and maintenance instructions thoroughly before installing or servicing this equipment.

1100 Old Honeycutt Road, Fuquay-Varina, NC 27526 USA • www.southbendnc.com

MANUAL 1190950 (02/09)
\$30.00



RADIANT STEAKHOUSE BROILER
MANUAL SECTION SR

SAFETY PRECAUTIONS

Before installing and operating this equipment, be sure everyone involved in its operation is fully trained and aware of precautions. Accidents and problems can be caused by failure to follow fundamental rules and precautions.

The following symbols, found throughout this manual, alert you to potentially dangerous conditions to the operator, service personnel, or to the equipment.



DANGER

This symbol warns of immediate hazards that will result in severe injury or death.



WARNING

This symbol refers to a potential hazard or unsafe practice that could result in injury or death.



CAUTION

This symbol refers to a potential hazard or unsafe practice that could result in injury, product damage, or property damage.



NOTICE

This symbol refers to information that needs special attention or must be fully understood, even though not dangerous.

 **WARNING**
FIRE HAZARD
FOR YOUR SAFETY

Do not store or use gasoline or other flammable vapors and liquids in the vicinity of cooking appliances.

Keep area around cooking appliances free and clear of combustibles.

Purchaser of equipment must post in a prominent location detailed instructions to be followed in the event the operator smells gas. Obtain the instructions from the local gas supplier.

 **WARNING**
BURN HAZARD

Contact with hot surfaces will cause severe burns. Always use caution when operating cooking appliances.

 **WARNING**
EXPLOSION AND ASPHYXIATION HAZARD

In the event a gas odor is detected, shut down equipment at the main gas shutoff valve and immediately call the emergency phone number of your gas supplier.

Improper ventilation can result in headaches, drowsiness, nausea, and could result in death. Do not obstruct the flow of combustion and ventilation air to and from cooking appliances.

 **WARNING**
ELECTRIC SHOCK HAZARD

For appliances that use electric power, disconnect the power to the appliance before cleaning. Do not remove panels that require tools to remove.

NOTICE

Southbend appliances are intended for commercial use only. Not for household use.

Warranty will be void if service work is performed by other than a qualified technician, or if other than genuine Southbend replacement parts are installed.

Give this Owner's Manual and important papers to the proper authority to retain for future reference.

INTRODUCTION

Congratulations! You have purchased one of the finest pieces of heavy-duty commercial cooking equipment on the market.

You will find that your new equipment, like all Southbend equipment, has been designed and manufactured to meet the toughest standards in the industry. Each piece of Southbend equipment is carefully engineered and designs are verified through laboratory tests and field installations. With proper care and field maintenance, you will experience years of reliable, trouble-free operation. For best results, read this manual carefully.

RETAIN THIS MANUAL FOR FUTURE REFERENCE.

This manual is for the Southbend Radiant Steakhouse Broiler, which may be mounted on a stand, a cabinet, a refrigeration base, or a countertop. The serial plate is located in the rear right lower corner (see Figure 1 below).

Southbend steakhouse broilers are unique in design. They utilize Southbend's high performance radiant burners to provide broiling temperatures of up to 850°F (454°C) on the rack surface. The spent gases are then baffled and transferred to the top searing griddle providing a uniform temperature of 650°F (343°C). This secondary cooking surface is perfect for searing meat and locking in juices before broiling, and is provided without additional fuel cost or burners.

The broiler design supplies 100% clean primary air to the burners, ensuring efficient combustion and maintaining full production capacity and maximum recovery even in the most severe conditions of grease vapors and smoke atmospheres, which are created during any broiling process.

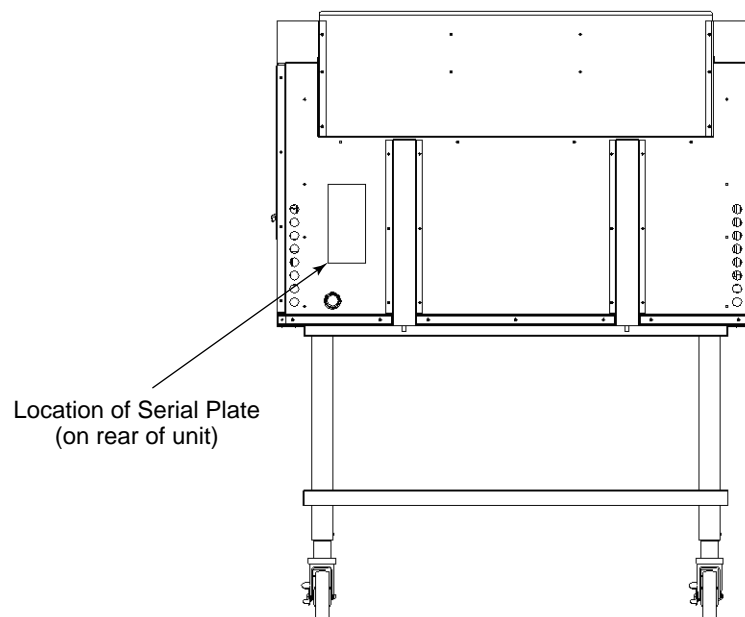
Read these instructions carefully before attempting installation. Installation and initial startup should be performed by a qualified installer. Unless the installation instructions for this product are followed by a qualified service technician (a person experienced in and knowledgeable of the installation of commercial gas and/or electric cooking equipment) then the terms and conditions on the Manufacturer's Limited Warranty will be rendered void and no warranty of any kind shall apply.

In the event you have questions concerning the installation, use, care, or service of the product, contact:

Southbend Technical Service
1100 Old Honeycutt Road
Fuquay-Varina, North Carolina 27526 USA
www.southbendnc.com

Figure 1

Location of Serial Plate



SPECIFICATIONS

NOTICE

Local codes regarding installation vary greatly from one area to another. The National Fire Protection Association, Inc. states in its NFPA 96 latest edition that local codes are the “authority having jurisdiction” when it comes to installation requirements for equipment. Therefore, installations must comply with all local codes, or in the absence of local codes, with the *National Fuel Gas Code, ANSI Z223.1, Natural Gas Installation Code, CAN/CGA-B149.1*, or the *Propane Installation Code CAN/CGA-B149.2*, as applicable, including:

1. The appliance and its individual shutoff valve must be disconnected from the gas supply piping system during any pressure testing of that system at test pressures in excess of 1/2 psi (3.45 kPa).
2. The appliance must be isolated from the gas supply piping system by closing its individual manual shutoff valve during any pressure testing of the gas supply piping system at test pressures equal to or less than 1/2 psi (3.45 kPa).

Southbend reserves the right to change specifications and product design without notice. Such revisions do not entitle the buyer to corresponding changes, additions, or replacements for previously purchased equipment.

This product is intended for commercial use only, not for household use.

CLEARANCES

There must be adequate clearance between the broiler and adjacent construction due to the heat generated by the broiler. Clearance must also be provided for servicing and for operation.

The minimum clearance from non-combustible construction is 6 inches (152 mm) on the sides and rear (to permit combustion air to enter the rear of the broiler). To service the broiler components, all models require at least 6 inches (152 mm) accessibility-clearance on the right and left side.

Adequate clearance must be provided in front of the broiler for operation and cleaning.

The high-temperature flue products from the broiler burners flow out through a flue chamber at the top rear of the broiler. Installation under a vented hood is recommended.

WARNING

MINIMUM CLEARANCES FROM COMBUSTIBLE CONSTRUCTION

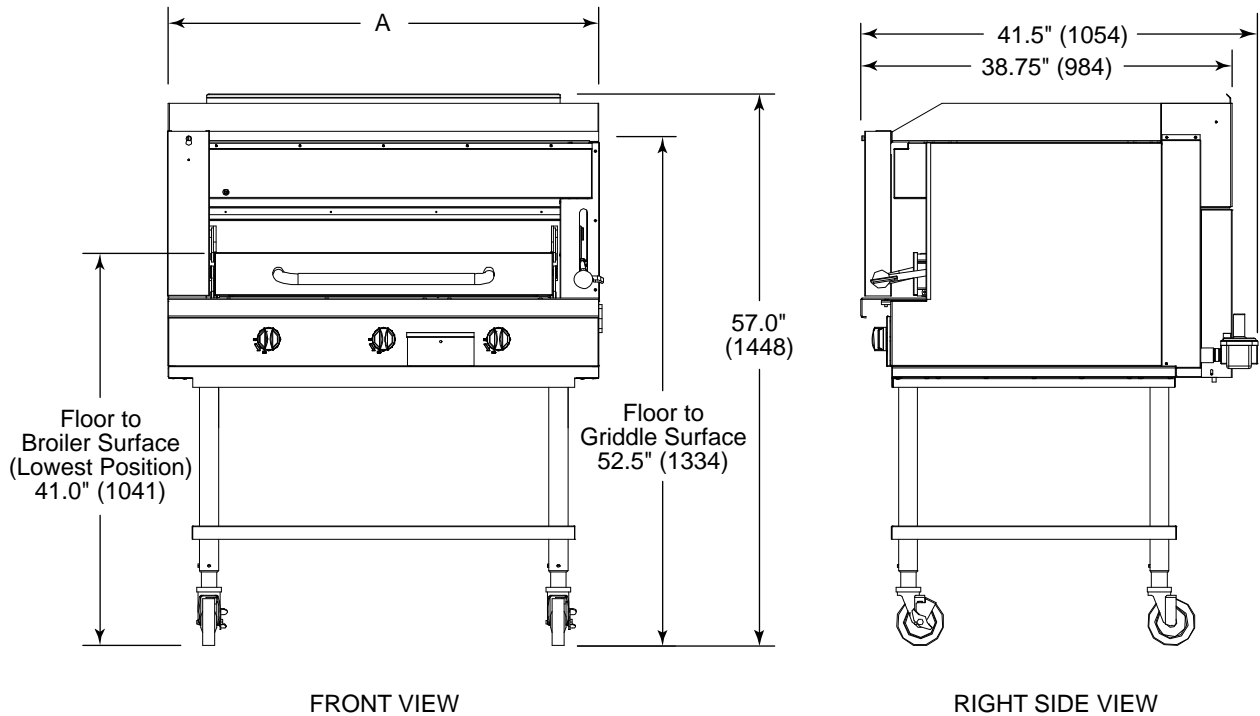
The stand mount, cabinet mount and countertop model require a minimum clearance from combustibles surfaces of 6 inches (152 mm) on the sides and rear.

DIMENSIONS

Figure 2

Dimensions in Inches (Millimeters)

Minimum Clearances 6" (152) Rear and Sides



Model Number	Width "A"	Number Burners	Total BTU's		Crated Weight
			Nat Gas	Propane	
SSB-32	32" (813 mm)	2	84,000	73,000	428 lbs (195 kg)
SSB-36	36" (914 mm)	2	84,000	73,000	512 lbs (232 kg)
SSB-45	45" (1143 mm)	3	126,000	109,500	616 lbs (279 kg)

VENTILATION

⚠ WARNING

Improper ventilation can result in personal injury or death. Ventilation, which fails to properly remove flue products, can cause headaches, drowsiness, nausea, or could result in death.

The flue vent, located at the top rear of the unit, must not be blocked or covered at any time.

All gas appliances must be installed in such a manner that the flow of combustion and ventilation air is not obstructed. Provisions for adequate air supply must be provided.

NOTICE

Proper ventilation is the owner's responsibility. Any problem due to improper ventilation will not be covered by the warranty.

Do not obstruct the rear of the broiler since combustion air enters through this area. Be sure to inspect and clean the ventilation system according to the ventilation equipment manufacturer's instructions.

If a ventilation canopy is used, it is recommended that the canopy extend 6" (152 mm) past the broiler and that the bottom edge be located 6'6" (1980 mm) from the floor. Filters should be installed at an angle of 45° or more from the horizontal. This position prevents dripping grease, and facilitates collecting the run-off grease in a drip pan under the filter.

A strong exhaust fan tends to create a vacuum in the room and may interfere with burner performance or may extinguish pilot flames. Fresh air openings approximately equal to the fan area will relieve such a vacuum. The exhaust fan should be installed at least 2" (51 mm) above the vent opening on the top rear of the broiler.

If the broiler is connected directly to an outside flue, a CSA design-certified down draft diverter must be installed.

In case of unsatisfactory performance by any gas appliance, check the appliance with the exhaust fan turned OFF. Do this only long enough to check whether doing so corrects any problems with equipment performance. Then turn the exhaust fan back on and let it run to remove any exhaust that may have accumulated during the test.

GAS SUPPLY

The broiler is design-certified for operation on natural or propane gases. The broiler is shipped configured and adjusted for the type of gas specified by the purchaser, which is indicated on the serial plate (see Figure 1 on page 3). Connect the broiler **ONLY** to the type of gas for which it is configured and adjusted.

Gas Type	Total BTU/hour	Burner Orifice	Bar Pilot.	Min. Supply Pressure	Manifold Pressure
Natural Gas	42,000 Per Burner	No. 36 (P/N 1006436)	No. 75 (P/N 1176664)	7" W.C.	6" W.C.
Propane	36,500 Per Burner	No. 51 (P/N 1006451)	No. 79 (P/N 1176665)	11" W.C.	10" W.C.

Models with a rear gas connection have a 1" rear gas connection to an external regulator that is located at the rear bottom corner on the right side. Models with a front gas supply are connected by unions assembled to the front manifold.

Minimum supply pressure is 7" W.C. for natural gas, 11" W.C. for propane. An external pressure regulator and shutoff valve are provided. If using a flexible-hose gas connection, the inside diameter of the hose must not be smaller than the connector on the broiler, and must comply with ANSI Z21.69. Provide an adequate means of restraint to prevent undue strain on the gas connection. Test pressure should not exceed 14" W.C.

If applicable, the vent line from the gas appliance pressure regulator must be installed to the outdoors in accordance with local codes, or in the absence of local codes, with the *National Fuel Gas Code, ANSI Z223.1, Natural Gas Installation Code, CAN/CGA-B149.1*, or the *Propane Installation Code CAN/CGA-B149.2*, as applicable.

An adequate gas supply is imperative. Undersized or low-pressure lines will restrict the volume of gas required for satisfactory performance. Fluctuations of more than 25% on natural gas or 10% on propane gas will create problems and affect burner-operating characteristics. A 1/8" pressure tap is located on the manifold to measure the manifold pressure. The supply line to the broiler should be no smaller than the inside diameter of the pipe on the broiler to which it is connected.

OPERATION

 **DANGER**
EXPLOSION HAZARD

In the event a gas odor is detected, shut down equipment at the main shutoff valve. Immediately call the emergency phone number of your gas supplier.

 **CAUTION**

If the broiler pilots should go out, the flow of gas to the broiler burners is NOT interrupted. Consequently, it is the responsibility of the operator to check the ignition of the burners immediately EVERY TIME the broiler is turned on. Should ignition fail after 10 seconds, turn off burners, wait 5 minutes, and then try again.

OPERATION OF RADIANT STEAKHOUSE BROILER

The location of the broiler controls and other components are shown in Figure 3 on the next page.

Southbend radiant steakhouse broilers offer the intensity to broil the thickest cuts of meat at reduced cook times, the adjustability to finish delicate dishes to perfection, and the versatility of a griddle surface to sear and prepare non-broiled menu items.

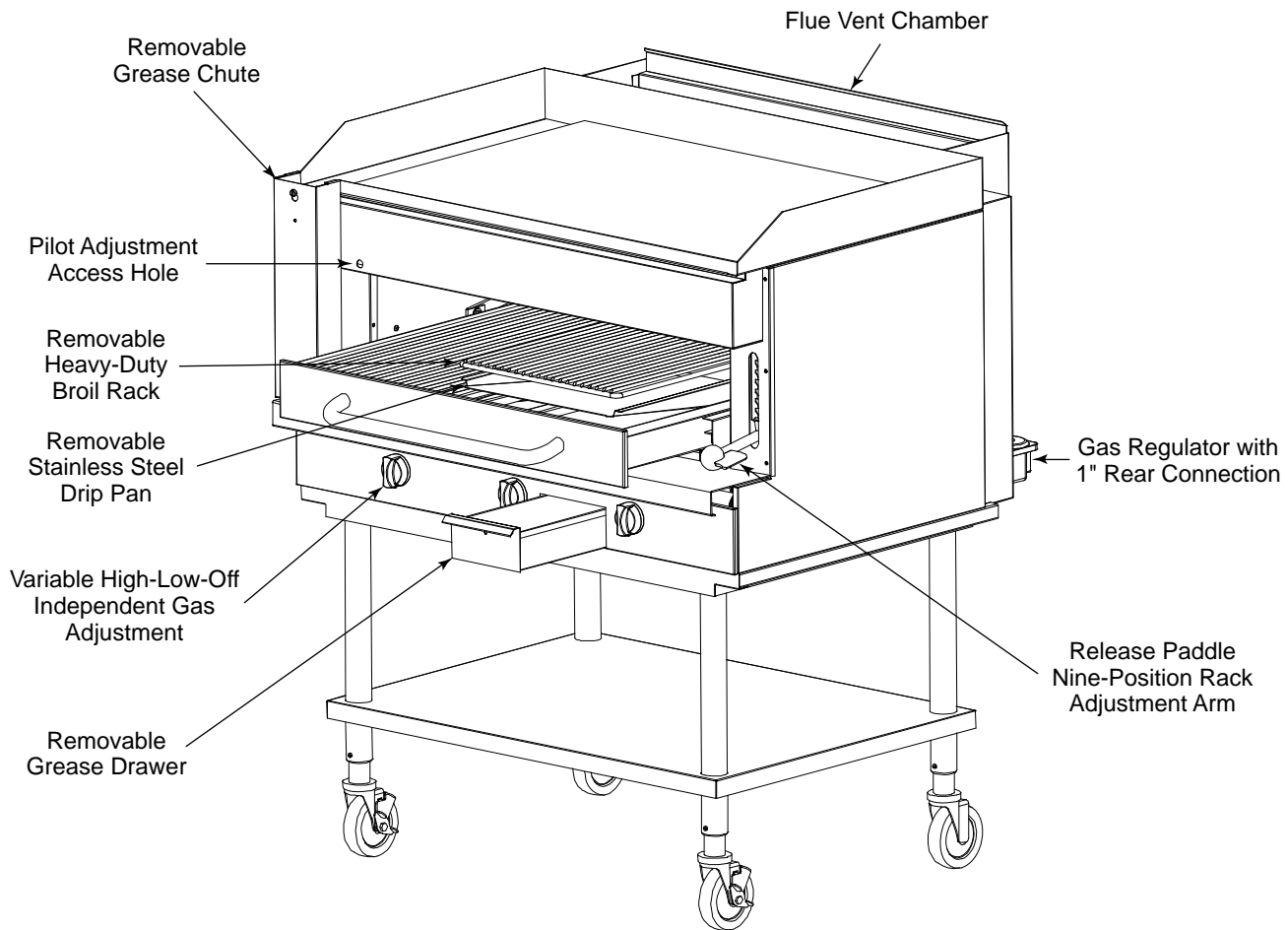
Southbend radiant steakhouse broilers require a preheat time of 5 minutes to stabilize rack temperatures and 30 minutes for the griddle to reach even heat distribution temperatures for searing. The burner flame may lift until temperatures stabilize and reach operating temperature. When the ceramic tiles appear to glow evenly red, the broiler is ready to accept product. The broiling rack adjusts to nine heights, and rolls out for easy access.

The cooking area has removable racks and drip trays for cleaning. As food cooks, drippings drain into a grease drawer located on the front of the unit next to the burner control knobs. To operate the broiler, do the following:

1. Light the constant-burning pilots located near the front of the broiler burners (unless they are already lit).
2. If necessary, pull out and empty the bottom grease drawer and the griddle grease chute. Keep the drip pans in place below the rack when broiling! Without them in place, excessive air will be pulled past the burners, reducing temperature and cooking efficiency.
3. Turn the burner controls to HIGH and visually check that the burners have ignited. When the burners ignite, a blue flame will carry across the ceramic tiles. Flames may lift from the burner until temperatures stabilize. When the burner control is set to HIGH, the ceramic tips will glow red across the entire tile. When the burner control is set to LOW, the ceramics tips will glow red across 2/3 of each tile. (If the flame continues to lift after 10 minutes, or if the flame remains yellow and sooting occurs, the broiler requires adjustment by a service technician.)
4. If searing the food to mark it with grid marks is desired, before placing food on the broiler rack move the rack to its highest position and allow the burners to operate on HIGH for five minutes to heat the rack surface.
5. Turn the burner control to HIGH or LOW (as appropriate for the food to be cooked).
6. Raise or lower the broiler rack to the height appropriate for the food to be cooked. A clicking noise will indicate changes in rack position when lowering the rack. To lower the rack, simply push down on the ball knob. To raise the rack, depress the paddle handle.
7. Pull out the rack, place food on the rack, and slide the rack back into the broiler. (It is recommended the rack be in the lowest position when loading food.)
8. Broil food for the appropriate time, turning it when appropriate. Periodically check the broiler grease drawer and grease chute and empty them when necessary.
9. When done broiling, turn the burner controls to OFF. (To keep the broiler rack hot in order to mark food with sear marks without preheating, turn the burner controls to LOW and move the broiler rack to its highest position.)

Figure 3

Broiler Controls and Components



Keep the drip pans in place below the rack when broiling! Without them in place, excessive air will be pulled past the burners, reducing temperature and cooking efficiency.

LIGHTING AFTER GAS HAS BEEN SHUT OFF

When turning on the main gas supply to an appliance or a group of appliances, do the following:

1. Make sure that all the control valves and power switches of all the appliances are in the OFF position.
2. Turn on the main gas supply valve.
3. Light the standing pilots of each connected appliance.

LIGHTING BROILER PILOTS

The pilots should burn continuously unless the broiler is to be completely shut down. The broiler cavity has two or three pilots, one near each burner. If the pilots are extinguished, the pilot gas supply is NOT automatically interrupted. To light the pilots, do the following:

1. Turn the control valves on the front of the broiler to OFF.
2. Turn on the gas supply to the broiler (if not already on).
3. Light the pilots.

SHUTDOWN OF BROILER

To place the broiler in a standby state (ready for use), turn the burner control valves to OFF. The pilots will remain lit. To completely shut down the broiler for an extended period (or prior to disconnecting the gas supply), turn OFF the manual shutoff valves of all gas supply connections. (This will extinguish all pilots.)

CLEANING & MAINTENANCE

WARNING

Shut off the gas supply to the appliance before cleaning or performing maintenance on any gas appliance. The appliance may be equipped with a restraint device to limit its movement in order to prevent damage to the gas connection. If disconnection of this restraint is necessary to move the appliance for cleaning or maintenance, reconnect the restraint when the appliance is moved back to its original installed position.

Southbend equipment is sturdily constructed of the best materials and is designed to provide durable service when treated with ordinary care. To provide the best performance, your equipment must be maintained in good condition and cleaned daily. Naturally, the periods for this care and cleaning depend on the amount and degree of usage.

Following daily and periodic maintenance procedures will enhance long life for your equipment. Climatic conditions (such as salt air) may require more thorough and frequent cleaning or the life of the equipment could be adversely affected.

Keep exposed, cleanable areas of the broiler clean at all times. (See next page for instructions on cleaning stainless steel and baked-enamel surfaces.)

DAILY CLEANING AND MAINTENANCE

To prevent excess smoking, the broiler grids, bottom grease drawer, griddle grease chute, and the other broiler components must be kept clean of food remnants. Use a wire brush or similar scraping utensil. DO NOT use steel wool or a similar scrub pad that will leave small particles, which can get into food. The daily cleaning procedure is as follows:

1. Use a Norton Alundum Griddle Brick to clean the griddle. Never wash a griddle with soap and water.
2. Remove the griddle grease chute and clean it.
3. Move the broiling rack to the low position. Pull out the rolling broiler rack.
4. Lift out the broiler grids and clean them with a wire brush or non-toxic solvent.
5. Lift out the drip shields and clean them with soap and water.
6. With the rolling rack pulled-out to its stop, clean all parts where residue can collect.
7. Clean all parts of the raising and lowering frame.
8. Lubricate bearings with cooking oil (this helps to extend the life of the bearings).
9. Reassemble broiling rack drip shields and grids.
10. Remove the bottom grease drawer and clean it.
11. Wipe clean all exterior surfaces.
12. Check that nothing has been placed on top of the broiler flue (which will block the escape of combustion exhaust).
13. Check that the air-intake openings on the rear of the broiler are not obstructed.

MONTHLY CLEANING AND MAINTENANCE

The following tasks should be performed monthly:

1. Check for proper pilot operation. The flame on each pilot should be just large enough to extend along the flame carrier to the burner surface. If adjustment is necessary, call for service.
2. Check for proper burner operation. When the burner control is set to HIGH, a blue flame will carry across the ceramics tiles. The ceramics tile tips will glow red across entire tile. When the burner control is set to LOW, the ceramics tips will glow red across 2/3 of each tile. If the flame is yellow or sooting occurs, request adjustment by a service technician.

SEMIANNUAL CLEANING AND MAINTENANCE

At least twice a year the venting system should be examined and cleaned.

CARE OF GRIDDLES

The griddle should be carefully cared for in order to avoid possible damage. Use a Norton Alundum Griddle Brick to clean the griddle. Do not use any type of steel wool because small particles may be left on the surface and get into food products. Never allow water on a hot griddle, and never wash it with soap and water. Do not strike the griddle with utensils as this will cut and pit the griddle plate, leaving it rough and hard to clean.

STAINLESS-STEEL SURFACES

To remove normal dirt, grease and product residue from stainless steel surfaces that operate at LOW temperature, use ordinary soap and water (with or without detergent) applied with a sponge or cloth. Dry thoroughly with a clean cloth.

To remove BAKED-ON grease and food splatter, or condensed vapors; apply cleanser to a damp cloth or sponge and rub cleanser on the metal in the direction of the polishing lines on the metal. Rubbing cleanser, as gently as possible, in the direction of the polished lines will not mar the finish of the stainless steel. NEVER RUB WITH A CIRCULAR MOTION. Soil and burnt deposits, which do not respond to the above procedure, can usually be removed by rubbing the surface with SCOTCH-BRITE scouring pads or STAINLESS scouring pads. DO NOT USE ORDINARY STEEL WOOL as any particles left on the surface will rust and further spoil the appearance of the finish. NEVER USE A WIRE BRUSH, STEEL SCOURING PADS (EXCEPT STAINLESS), SCRAPER, FILE OR OTHER STEEL TOOLS. Surfaces, which are marred, collect dirt more rapidly and become more difficult to clean. Marring also increases the possibility of corrosive attack. Refinishing may then be required.

"Heat tint" is darkened areas that sometimes appear on stainless steel surfaces where the area has been subjected to excessive heat. These darkened areas are caused by thickening of the protective surface of the stainless steel and are not harmful. Heat tint can normally be removed by the foregoing, but tint which does not respond to this procedure calls for a vigorous scouring in the direction of the polish lines using SCOTCH-BRITE scouring pads or a STAINLESS scouring pad in combination with a powered cleanser. Heat tint may be lessened by reducing heat to the equipment during slack periods.

INSTALLATION

NOTICE

These installation procedures must be followed by qualified personnel or warranty will be void.

Local codes regarding installation vary greatly from one area to another. The National Fire Protection Association, Inc. states in its NFPA 96 latest edition that local codes are the “authority having jurisdiction” when it comes to installation requirements for equipment. Therefore, installations must comply with all local codes, or in the absence of local codes, with the *National Fuel Gas Code, ANSI Z223.1, Natural Gas Installation Code, CAN/CGA-B149.1*, or the *Propane Installation Code CAN/CGA-B149.2*, as applicable, including:

1. The appliance and its individual shutoff valve must be disconnected from the gas supply piping system during any pressure testing of that system at test pressures in excess of 1/2 psi (3.45 kPa).
2. The appliance must be isolated from the gas supply piping system by closing its individual manual shutoff valve during any pressure testing of the gas supply piping system at test pressures equal to or less than 1/2 psi (3.45 kPa).

STEP 1: UNPACKING

IMMEDIATELY INSPECT FOR SHIPPING DAMAGE

All containers should be examined for damage before and during unloading. The freight carrier has assumed responsibility for its safe transit and delivery. If damaged equipment is received, either apparent or concealed, a claim must be made with the delivering carrier.

Apparent damage or loss must be noted on the freight bill at the time of delivery. The freight bill must then be signed by the carrier representative (Driver). If the bill is not signed, the carrier may refuse the claim. The carrier can supply the necessary forms.

A request for inspection must be made to the carrier within 15 days if there is concealed damage or loss that is not apparent until after the equipment is uncrated. The carrier should arrange an inspection. Be certain to hold all contents plus all packing material.

1. Cut the banding straps and remove the corrugated cardboard surrounding the broiler. Do not remove any of the attached tags or labels until the broiler is installed and working properly.
2. Cut the banding strap holding the broiler to the wooden skid.
3. If installing the broiler on a stand, go to Step 2a.
If installing the broiler on a countertop, go to Step 2b.

STEP 2A: MOUNT ON HEAVY DUTY STAND

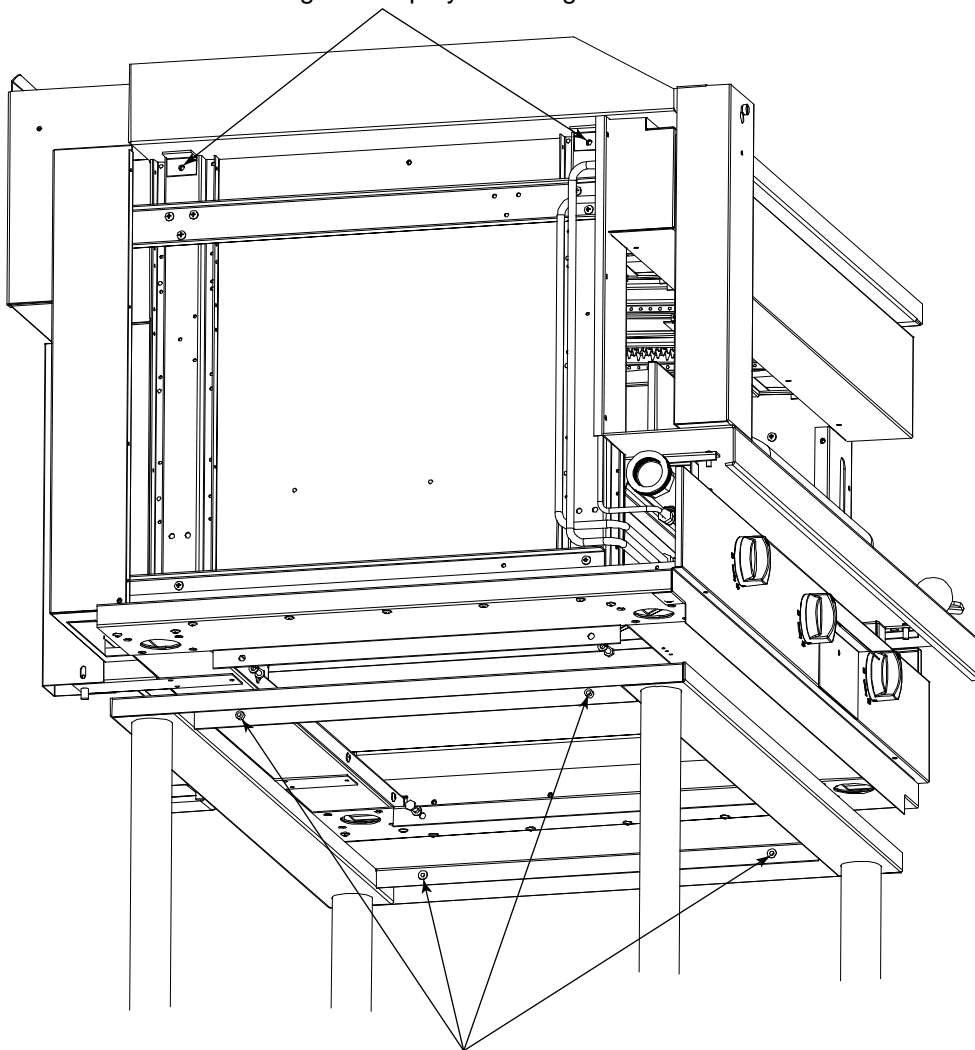
The stand is crated separately, but is shipped with the broiler. Depending on the shipping requirements, the broiler may already be assembled to the stand.

1. The broiler will be attached to the stand using four ¼"-20 bolts and lock washers provided with the stand. Remove the bolts and lock washers from the stand.
2. Lift the broiler (using two people is recommended). (Depending on the size and weight of the unit, it may be helpful to remove the griddle plate before lifting the broiler. To do so, remove the body sides to access griddle plate mounting bolts.) Place the broiler on the stand so the holes in the mounting flange align with the corresponding holes in the stand. The valve panel flange should sit flush with front frame of the stand. Secure the broiler to the stand with the ¼"-20 bolts and lock washers.
3. Go on to Step 3.

Figure 4

Mounting Broiler on Stand

If assembled broiler is too heavy to lift, remove side panels and then remove griddle top by removing four bolts.



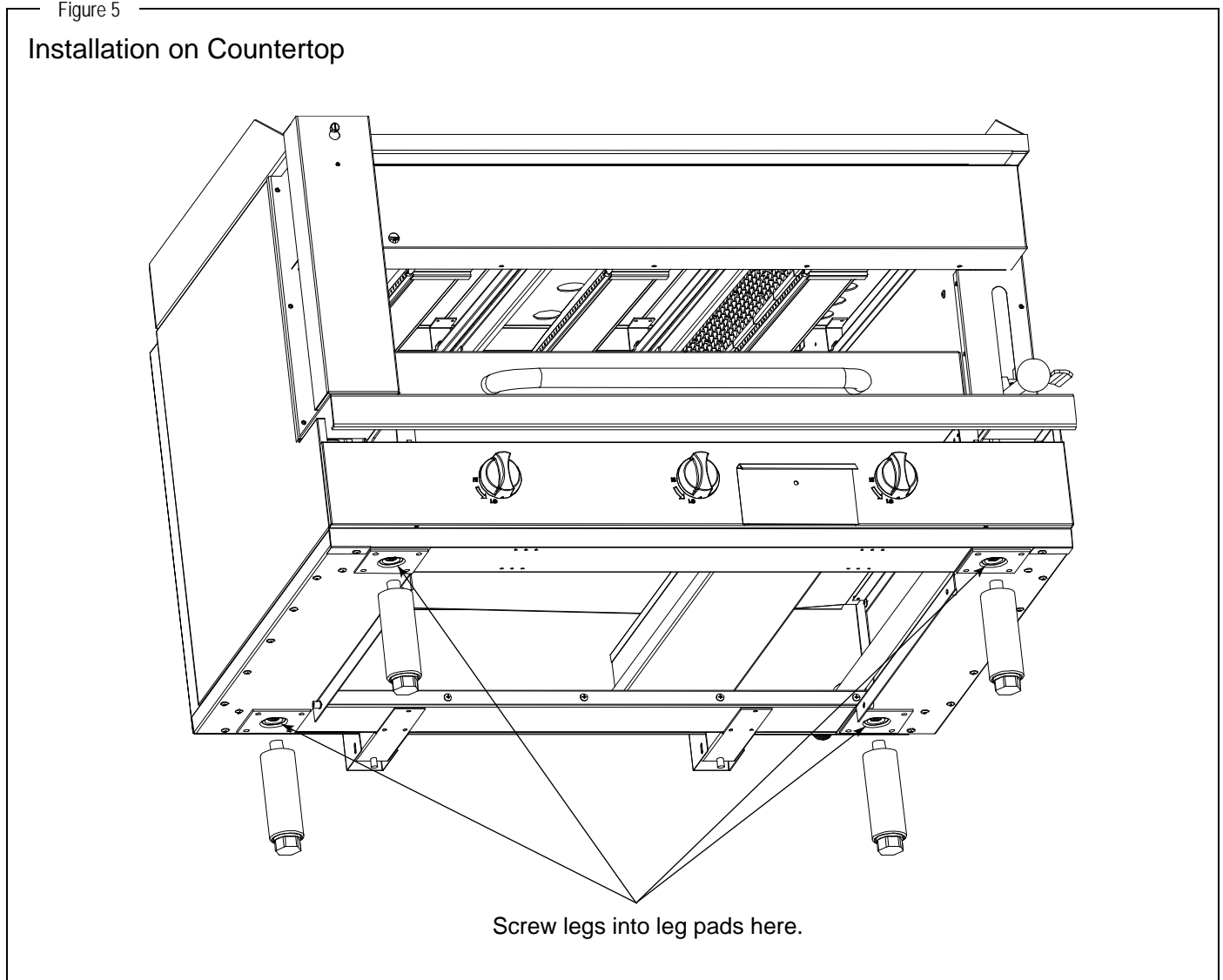
Fasten broiler to stand with four 1/4-inch bolts here.

STEP 2B: ATTACH COUNTERTOP LEGS

The broiler may set on a countertop using short legs. Be sure that the countertop is rated to support the crated weight of the broiler (see Figure 2 on page 5). The model number is shown on the serial plate located in the rear right corner of you broiler (see Figure 1 on page 3).

1. With the broiler lying on its back side, screw the four legs tightly into the leg pads, as shown below. Lift the broiler (using two people is recommended) and set it in place on the countertop. Adjust the legs as needed to level unit.
2. Position the broiler to the specified minimum clearances (see page 4).
3. Go on to Step 3.

Figure 5



STEP 3: CONNECT GAS SUPPLY

If the broiler is being installed at over 2,000 feet (610 meters) altitude and that information was not specified when ordered, contact the appropriate authorized Southbend Service Representative or the Southbend Service Department. Failure to install with proper orifice sizing will result in poor performance and may void the warranty.

The broiler is design-certified for operation on natural or propane gases. The broiler is shipped configured and adjusted for the type of gas specified by the purchaser, which is indicated on the serial plate (see Figure 1 on page 3). Connect the broiler **ONLY** to the type of gas for which it is configured and adjusted.

The broiler will have a 1" NPT female thread in the regulator at the rear of the unit, or may be connected by the front manifold when connected to a battery of other sectional equipment.

Minimum supply pressure is 7" W.C. for natural gas, 11" W.C. for propane. An external pressure regulator is provided. If using a flexible-hose gas connection, the inside diameter of the hose must not be smaller than the connector on the broiler, and must comply with ANSI Z21.69. Provide an adequate means of restraint to prevent undue strain on the gas connection.

If applicable, a vent line from the gas appliance pressure regulator must be installed to the outdoors in accordance with local codes, or in the absence of local codes, with the *National Fuel Gas Code, ANSI Z223.1, Natural Gas Installation Code, CAN/CGA-B149.1*, or the *Propane Installation Code CAN/CGA-B149.2*, as applicable.

An adequate gas supply is imperative. Undersized or low-pressure lines will restrict the volume of gas required for satisfactory performance. Fluctuations of more than 25% on natural gas or 10% on propane gas will create problems and affect burner-operating characteristics. A 1/8" pressure tap is located on the manifold to measure the manifold pressure. The supply line to the broiler should be no smaller than the inside diameter of the pipe on the broiler to which it is connected.

CAUTION

ALL PIPE JOINTS AND CONNECTIONS MUST BE TESTED THOROUGHLY FOR GAS LEAKS. USE ONLY SOAPY WATER FOR TESTING ON ALL GASES. NEVER USE AN OPEN FLAME TO CHECK FOR GAS LEAKS. ALL CONNECTIONS MUST BE CHECKED FOR LEAKS AFTER THE APPLIANCE HAS BEEN PUT INTO OPERATION. TEST PRESSURE SHOULD NOT EXCEED 14" W.C.

1. Check that the control valves on the broiler are in the OFF position.
2. Purge the gas supply line to clean out dust, dirt, or other foreign matter before connecting the line to the broiler.
3. For stand mount and countertop mounting, connect the gas supply to the inlet at right rear corner.

CAUTION

HOLD THE INLET SUPPLY PIPE WITH A WRENCH WHEN TIGHTENING ADDED FITTINGS TO AVOID DAMAGE TO THE REGULATOR, VALVE, AND OTHER COMPONENTS.

4. Turn on the gas and check for leaks using soapy water.

STEP 4: CHECK THE INSTALLATION

1. Check that all screws and bolts are tightened.
2. Check that the gas connection has been made correctly.
3. Move the broiler into the final position at which it will be operated.
4. Check that the broiler is level.
5. Check that the appropriate minimum clearances are satisfied (see page 4), including adequate clearance for combustion air to enter the rear of the broiler.
6. Check that there is sufficient clearance to pull out the broiler rack, grease drawer, and griddle grease chute; and to operate the rack-height adjustment lever.
7. Check that adequate ventilation (fresh air supply and hood exhaust) is available to the room in which the appliance will operate.
8. Wipe clean all surfaces.

STEP 5: CHECK BROILER OPERATION

1. Turn the gas supply on. Immediately check all gas connections for leaks using soapy water.
2. Light the pilots and check that the pilot flames are large enough to extend along the flame carrier to the burner surface. If not, adjust the pilots (see page 17).
3. Turn the burner control to HIGH and visually check that the burners have ignited. When the burners ignite, a blue flame will carry across the ceramics tiles. Flames may lift from the burners until temperatures stabilize. When the burner control is set to HIGH, the ceramics tips will glow red across the entire tile. When the burner control is set to LOW, the ceramics tips will glow red across 2/3 of each tile. (If the flame continues to lift after 10 minutes or if flame remains yellow and sooting occurs, adjust the burner venturi.)
4. Check that the gas supply is adequate by simultaneously turning on all burners of all appliances connected to the same gas supply to their highest setting, then again checking that the broiler's pilot and burner flames have correct appearance and height.
5. Spread over the hot griddle three or four ounces of beef suet, or as a substitute, baking soda, to season it.
6. Turn off all burners and allow the broiler to cool.

STEP 6: WIPE-CLEAN AND SHUT-DOWN APPLIANCE

1. Wipe clean all surfaces.
2. Unless the broiler is to be placed in service immediately, shut off the gas supply.
3. Make sure that a copy of this manual is available to the people who will operate and maintain the broiler.

SERVICE

WARNING

ADJUSTMENTS AND SERVICE WORK MAY BE PERFORMED ONLY BY A QUALIFIED TECHNICIAN WHO IS EXPERIENCED IN, AND KNOWLEDGEABLE OF, THE OPERATION OF COMMERCIAL COOKING EQUIPMENT. TO ASSURE YOUR CONFIDENCE, CONTACT YOUR AUTHORIZED SERVICE AGENCY FOR RELIABLE SERVICE, DEPENDABLE ADVICE OR OTHER ASSISTANCE, AND FOR GENUINE FACTORY PARTS.

NOTICE

INSTALLATION OF OTHER THAN GENUINE SOUTHBEND PARTS WILL VOID THE WARRANTY ON THIS EQUIPMENT.

The serial plate is located in the rear right corner (see Figure 1 on page 3).

Replacement parts (including parts not listed in this manual) may be ordered either through a Southbend Authorized Parts Distributor or a Southbend Authorized Service Agency.

When ordering parts, please supply the Model Number, Serial Number, Part Number, and Part Description.

TROUBLESHOOTING

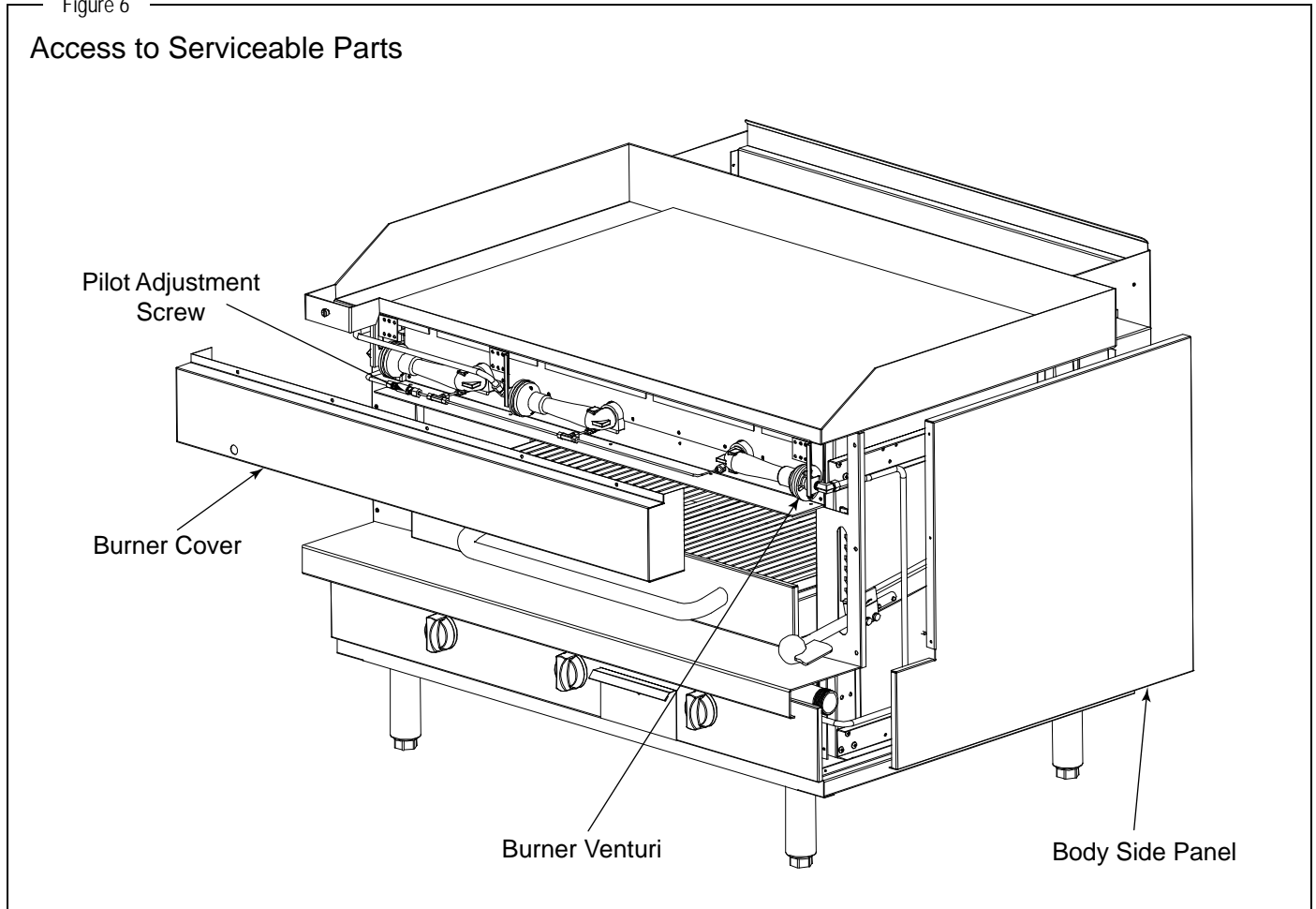
Problem	Look for -
Not enough heat	<ul style="list-style-type: none"> - Low pressure in gas supply - Restriction in gas piping and/or valves - Misalignment of orifice to burner venturi - Clogged burner orifice - Incorrect burner orifice
Too much heat	<ul style="list-style-type: none"> - Incorrect orifices - Malfunctioning or incorrectly set pressure regulator
Burner flame has excessive yellow tipping	<ul style="list-style-type: none"> - Obstruction of combustion-air intake on rear of broiler - Exhaust gases blocked by objects sitting on top of broiler - Low pressure in gas supply - Misalignment of orifice to burner venturi
Burner flame fluttering	<ul style="list-style-type: none"> - Low gas pressure or obstruction in orifice
Burner flame lifting	<ul style="list-style-type: none"> - High gas pressure or air shutter on venturi out of adjustment
Slow burner ignition	<ul style="list-style-type: none"> - Pilot flame out of adjustment
Pilot outage	<ul style="list-style-type: none"> - Pilot flame out of adjustment - Draft condition - Pilot orifice clogged

ACCESS TO SERVICEABLE PARTS

Some serviceable parts are only accessible by removing body side panels or the burner cover.

The burner cover is fastened with ten sheet-metal screws. To remove the burner cover, remove these screws. The burner cover can then be pulled forward and removed. Each body side panel is fastened with seven sheet-metal screws, three in the front and four at the rear. Remove body-side screws and slide the body side towards the rear and away from the unit.

Figure 6



ADJUSTMENT OF BROILER PILOTS

The pilots are adjusted at the factory. If later the pilots are over-adjusted to the point where the flame is leaving its port, or “blowing off,” the result is an unstable condition in which the pilot may extinguish. If necessary, adjust the pilots using the following procedure:

1. If necessary, light the pilots.
2. Locate the pilot adjustment screw (which adjusts all pilots). It is a small slotted screw located on the pilot valve, and can be adjusted through an access hole in the burner cover (shown in Figure 6 above).
3. Turn the pilot adjustment screw to adjust the size of the pilot flames. The flame on each pilot should be large enough to extend along the flame carrier to the burner surface.

ADJUSTMENT OF BROILER BURNERS

The burners are adjusted at the factory. Adjustment may be required to achieve proper operation due to elevation change or other variables. Remove the burner cover to adjust the air shutter on each burner venturi (shown in Figure 6 on the previous page) to achieve proper combustion and optimum burn.

ADJUSTMENT OF GAS PRESSURE REGULATOR

The pressure regulator is located at the rear right lower corner of the broiler. The regulator is preset for 6" W.C. for natural gas, or 10" W.C. for propane gas. If adjustment is necessary, do the following:

1. Turn the broiler control knobs to OFF.
2. Attach a pressure-measuring device to the 1/8" NPT connector located on the main manifold (accessible by removing the grease drawer).
3. Turn the broiler control knobs to HIGH. With the burners lit, check the manifold pressure. The pressure should be 6" W.C. (for natural gas) or 10" W.C. (for propane gas).
4. If necessary, adjust the pressure by unscrewing the top of the pressure regulator (use a screwdriver) to expose the adjustment screw underneath. Rotating the adjustment screw clockwise increases the manifold pressure.
5. After the pressure has been adjusted, turn the broiler control knobs to OFF, and replace the top cap of the pressure regulator. Disconnect the pressure-measuring device and replace the plug into the manifold.

PARTS

The following table describes the serviceable parts. For parts not listed, contact a Southbend Authorized Parts Distributor or a Southbend Authorized Service Agency.

PARTS LIST		Quantity		
Part Number	DESCRIPTION	SSB-32	SSB-36	SSB-45
1006436	BURNER ORIFICE	2	2	3
1176008	BURNER VALVE	2	2	3
1184384	PILOT ADJUST	1	1	1
1167782	REGULATOR,PRESS,WC @ 6",NAT	1	1	1
1130399	BURNER, HI-GLOW	2	2	3
1130398	VENTURI ASSEMBLY, HI-GLOW	2	2	3
1-5371	CERAMIC TILE	20	20	30
1189600	KNOB	2	2	3

PARTS LIST		Quantity		
Part Number	DESCRIPTION	SSB-32	SSB-36	SSB-45
1006451	BURNER ORIFICE	2	2	3
1176009	BURNER VALVE	2	2	3
1184384	PILOT ADJUST	1	1	1
1167783	REGULATOR,PRESS,WC @10",PROP	1	1	1
1130399	BURNER, HI-GLOW	2	2	3
1130398	VENTURI ASSEMBLY, HI-GLOW	2	2	3
1-5371	CERAMIC TILE	20	20	30
1189600	KNOB	2	2	3

RADIANT STEAKHOUSE BROILER

Notes:

PLATINUM SERIES RADIANT STEAKHOUSE BROILER

Stand Mount, Countertop, Cabinet Base or Refrigeration Base



A product with the Southbend name incorporates the best in durability and low maintenance. We all recognize, however, that replacement parts and occasional professional service may be necessary to extend the useful life of this appliance. When service is needed, contact a Southbend Authorized Service Agency, or your dealer. To avoid confusion, always refer to the model number, serial number, and type of your appliance.



Southbend
1100 Old Honeycutt Road, Fuquay-Varina, NC 27526
www.southbendnc.com