

***ISTRUZIONI PER L'USO DEL LIEVITATORE
LEV 101X – LEV 135X***

***RISING OVEN INSTRUCTIONS BOOKLET
LEV 101X – LEV 135X***

***MODE D'EMPLOI ÉTUVE DE LEVAGE
LEV 101X – LEV 135X***

ENGLISH

Technical information

Electric supply.....220 V – 50/60 Hz
Max. absorption.....950 W (4,3 A)

Electrical connection

Be sure that voltage and dimensions of the wires meet voltage and power indicated on the markings located on the back of the appliance. **This appliance must be earthed.** For this reason the plug connected with the cord and the socket which the appliance is connected with must be of the same type (complying to EEC standards). Before connecting check the efficiency of the earthing equipment.

Our company declines any responsibility for damages due to Missing or defective earthing or bad earthing equipment.

How to use your oven

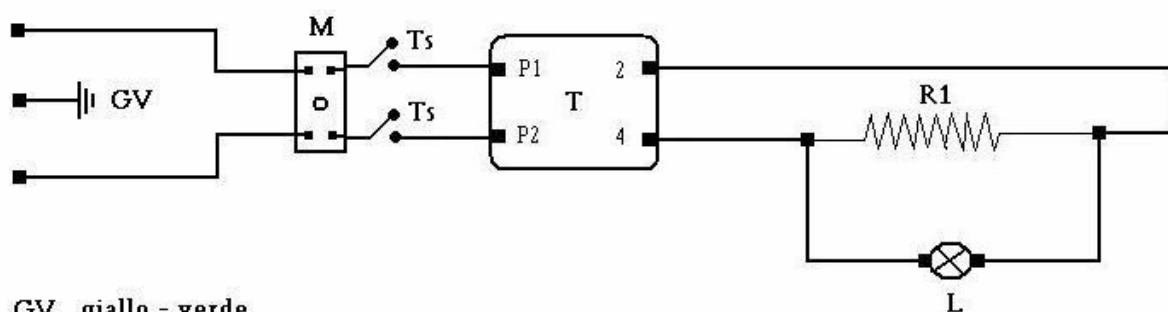
By the thermostat knob different temperatures (up to 80° C) can be selected. The table shows the temperatures corresponding to the different position of the knob.

Knob position	Temperature °C +/- 5°
1	-
2	25
3	35
4	45
5	50
6	60
7	70
8	75
9	80

The orange light is on till the selected temperature is reached. After a while it will be on again, signalling that the heating element is working again to maintain the desired temperature. To switch the oven off, turn the knob anti clockwise to reach position “ 0 “. To raise the humidity degree inside the oven, fill the tray located on the base of the appliance with water in order to maintain it constantly wet.

SCHEMA IMPIANTO ELETTRICO

LEV 31R – LEV 101X- LEV 135X



- GV giallo - verde
- M morsettiera
- T termoregolatore
- Ts termostato di sicurezza 90°
- R1 resistenza
- L lampada spia