



by **Schneider** Electric

INSTALLATION

ID-P Pendant Mount Adapter



C2241M (12/09)

Contents

Important Safety Instructions	4
Description	5
Parts List	5
Installation	6
Specifications	9

Important Safety Instructions

1. Read these instructions.
2. Keep these instructions.
3. Heed all warnings.
4. Follow all instructions.
5. Only use attachments/accessories specified by the manufacturer.
6. Installation should be done only by qualified personnel and conform to all local codes.
7. Use only installation methods and materials capable of supporting four times the maximum specified load.
8. Only use replacement parts recommended by Pelco.
9. Unless the unit is specifically marked as a NEMA Type 3, 3R, 3S, 4, 4X, 6, or 6P enclosure, it is designed for indoor use only and it must not be installed where exposed to rain and moisture.

Description

The ID-P is a pendant mount adapter specifically designed for ID and IDE Series network dome cameras. The pendant adapter modifies the network dome camera for pendant installations using a 1.5-inch (3.81 cm) NPT mount, such as the SWM-WT mount.

PARTS LIST

Qty	Description
------------	--------------------

- | | |
|---|----------------------------|
| 1 | ID-P pendant mount adapter |
| 1 | Tube of Loctite® |
| 1 | Installation manual |

Installation tools, mounting hardware, and the following parts are needed but not supplied:

Qty	Description
------------	--------------------

- | | |
|---|---|
| 1 | ID or IDE Series network dome camera |
| 1 | 1.5-inch (3.81 cm) NPT mount, such as the SWM-WT mount |
| 1 | Lens (use either a megapixel or standard auto iris lens, depending on camera model) |
| 1 | IX-SC service cable |

Installation

1. Install the 1.5-inch (3.81 cm) NPT mount; refer to the instructions supplied with the mount.
2. Pull the system power and video wiring through the mount.
3. Route the wiring through the ID-P pendant mount adapter. Apply Loctite (supplied) to the threads of the ID-P, and then screw the pendant mount adapter onto the mount.

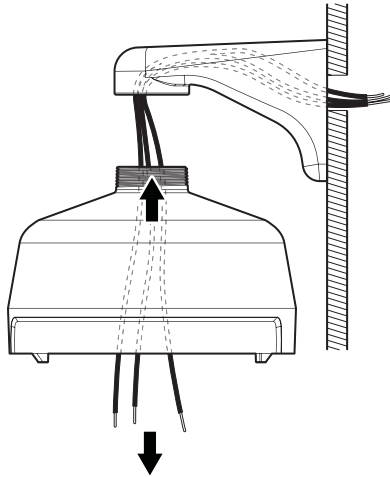
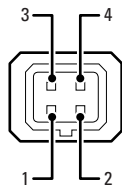


Figure 1. Installing the Pendant Mount Adapter

4. Install the lens on the ID or IDE Series camera module:

NOTE: Megapixel lenses are designed and tested to deliver optimal image quality to megapixel cameras. A standard definition lens installed on a megapixel camera will limit the resolution of the camera and create poor image quality.

- a. Remove the cover from the lens mount.
- b. Screw the lens onto the lens mount. Be careful to prevent dust from entering the space between the lens and the imager. If necessary, use clean, compressed air to remove any foreign matter (refer to the instructions shipped with the lens).
- c. Connect the auto iris lens to the 4-pin connector located on the side of the camera. Refer to Figure 2 for pin designation and iris drive connector information.



Pin	DC (AID) Auto Iris Lens
1	Control coil negative (-)
2	Control coil positive (+)
3	Drive coil positive (+)
4	Drive coil negative (-)

Figure 2. Lens Pin Connections

5. Connect the network cable to the RJ-45 network port. If the network has no Power over Ethernet (PoE), connect a 24 VAC Class 2 power supply to the 24 VAC power connector.

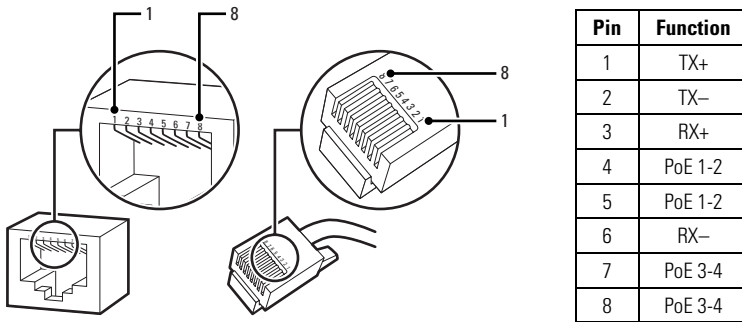


Figure 3. RJ-45 Pin Descriptions

6. Connect the alarm and relay connector:
 - a. Connect the alarm and relay wires to the supplied 4-pin connector.
 - b. Attach the mating connector to the green connector on the side of the camera.

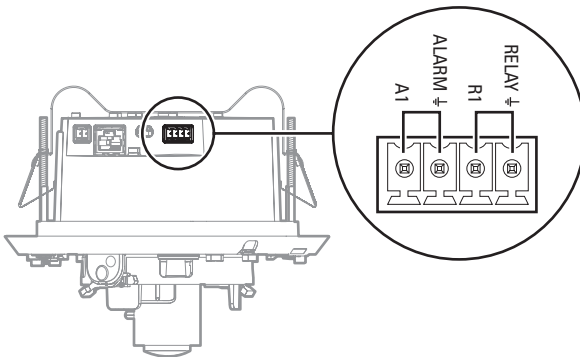


Figure 4. Alarm and Relay Connector

7. If PoE is not available, connect the VAC connector:
 - a. Connect the 24 VAC wires to the supplied 2-pin VAC connector.
 - b. Attach the mating connector to the green connector on the side of the camera.

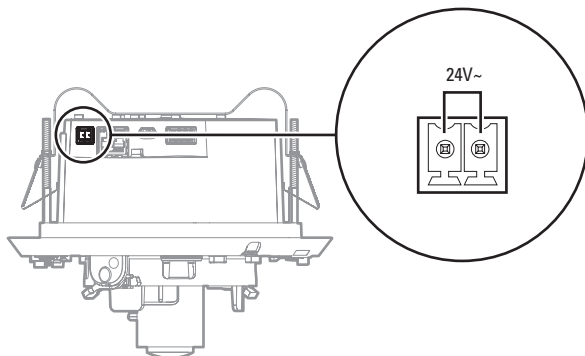


Figure 5. 24 VAC Connector

NOTE: If you are operating the camera using 24 VAC and you are wiring more than one camera to the same transformer, connect one side of the transformer to the red wire (24 VAC +) and connect the other side of the transformer to the black wire (24 VAC -). Failure to connect all modules identically might introduce video noise for some installations.

8. Install the camera module in the pendant mount adapter:
 - a. Compress the spring clips and push the camera module until it locks into place.
 - b. Tighten the machine screws completely to secure the camera module to the adapter.

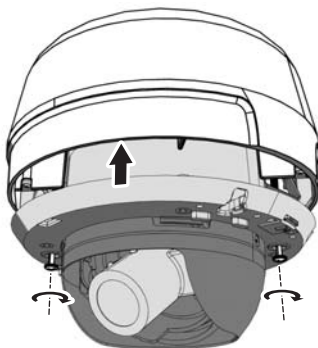


Figure 6. Installing the Camera Module

9. Apply power to the camera. The camera will complete a configuration sequence: the green LED flashes five times per second for approximately two minutes and then turns solid after the sequence is complete.

NOTE: If the camera is not connected to a Dynamic Host Configuration Protocol (DHCP) server and DHCP is enabled, the configuration sequence might take up to five minutes to complete.

10. To complete the installation, refer to the ID Series Installation/Operation manual or the IDE Series Installation/Operation manual.

Specifications

MECHANICAL

Mounting Method

Attach the ID-P to a mount with 1.5-inch (3.81 cm) NPT pipe (such as the SWM-WT mount)

GENERAL

Construction

Aluminum

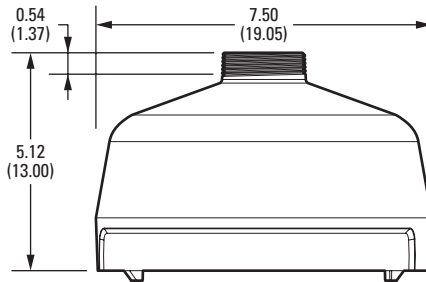
Finish

Polyester powder coat

Unit Weight

1.69 lb (0.77 kg)

(Design and product specifications subject to change without notice.)



NOTE: VALUES IN PARENTHESSES ARE CENTIMETERS; ALL OTHERS ARE IN INCHES.



The materials used in the manufacture of this document and its components are compliant to the requirements of Directive 2002/95/EC.

REVISION HISTORY

Manual #	Date	Comments
C2241M	12/09	Original version.

Pelco, the Pelco logo, Camclosure, Digital Sentry, Endura, Esprit, ExSite, Genex, Intelli-M, Legacy, and Spectra are registered trademarks of Pelco, Inc. Spectra III is a trademark of Pelco, Inc.

DLP is a registered trademark of Texas Instruments Incorporated.

All product names and services identified throughout this document are trademarks or registered trademarks of their respective companies.

The absence of a trademark or registered trademark from this document does not constitute a waiver of intellectual property rights.

© Copyright 2009, Pelco, Inc. All rights reserved.

PRODUCT WARRANTY AND RETURN INFORMATION

WARRANTY

Pelco will repair or replace, without charge, any merchandise proved defective in material or workmanship **for a period of one year** after the date of shipment.

Exceptions to this warranty are as noted below:

- Five years:
 - Fiber optic products
 - Unshielded Twisted Pair (UTP) transmission products
 - CC3701H-2, CC3701H-2X, CC3751H-2, CC3651H-2X, MC3651H-2, and MC3651H-2X camera models
- Three years:
 - Pelco-designed fixed network cameras and network dome cameras with Sarix™ technology.
 - Pelco-branded fixed camera models (CCC1390H Series, C10DN Series, C10CH Series, and IP3701H Series)
 - EH1500 Series enclosures
 - Spectra® IV products (including Spectra IV IP)
 - Camclosure® Series (IS, ICS, IP) integrated camera systems
 - DX Series digital video recorders, DVR5100 Series digital video recorders, Digital Sentry® Series hardware products, DVX Series digital video recorders, and NVR300 Series network video recorders
 - Endura® Series distributed network-based video products
 - Genex® Series products (multiplexers, server, and keyboard)
 - PMCL200/300/400 Series LCD monitors
- Two years:
 - Standard varifocal, fixed focal, and motorized zoom lenses.
 - DF5/DF8 Series fixed dome products
 - Legacy® Series integrated positioning systems
 - Spectra III™, Spectra Mini, Spectra Mini IP, Esprit®, ExSite®, and PS20 scanners, including when used in continuous motion applications.
 - Esprit Ti and TI2500 Series thermal imaging products
 - Esprit and WW5700 Series window wiper (excluding wiper blades).
 - CM6700/CM6800/CM9700 Series matrix
 - Digital Light Processing (DLP®) displays (except lamp and color wheel). The lamp and color wheel will be covered for a period of 90 days. The air filter is not covered under warranty.
 - Intelli-M® eIDC controllers
 - PMCL542F, PMCL547F, and PMCL552F FHD monitors
- One year:
 - Video cassette recorders (VCRs), except video heads. Video heads will be covered for a period of six months.
- Six months:
 - All pan and tilts, scanners, or preset lenses used in continuous motion applications (preset scan, tour, and auto scan modes).

Pelco will warrant all replacement parts and repairs for 90 days from the date of Pelco shipment. All goods requiring warranty repair shall be sent freight prepaid to a Pelco designated location. Repairs made necessary by reason of misuse, alteration, normal wear, or accident are not covered under this warranty.

Pelco assumes no risk and shall be subject to no liability for damages or loss resulting from the specific use or application made of the Products. Pelco's liability for any claim, whether based on breach of contract, negligence, infringement of any rights of any party or product liability, relating to the Products shall not exceed the price paid by the Dealer to Pelco for such Products. In no event will Pelco be liable for any special, incidental, or consequential damages (including loss of use, loss of profit, and claims of third parties) however caused, whether by the negligence of Pelco or otherwise.

The above warranty provides the Dealer with specific legal rights. The Dealer may also have additional rights, which are subject to variation from state to state.

If a warranty repair is required, the Dealer must contact Pelco at (800) 289-9100 or (559) 292-1981 to obtain a Repair Authorization number (RA), and provide the following information:

1. Model and serial number
2. Date of shipment, P.O. number, sales order number, or Pelco invoice number
3. Details of the defect or problem

If there is a dispute regarding the warranty of a product that does not fall under the warranty conditions stated above, please include a written explanation with the product when returned.

Method of return shipment shall be the same or equal to the method by which the item was received by Pelco.

RETURNS

To expedite parts returned for repair or credit, please call Pelco at (800) 289-9100 or (559) 292-1981 to obtain an authorization number (CA number if returned for credit, and RA number if returned for repair) and designated return location.

All merchandise returned for credit may be subject to a 20 percent restocking and refurbishing charge.

Goods returned for repair or credit should be clearly identified with the assigned CA or RA number and freight should be prepaid

PELCO

by **Schneider** Electric

www.pelco.com

Pelco, Inc. Worldwide Headquarters 3500 Pelco Way Clovis, California 93612 USA
USA & Canada Tel (800) 289-9100 Fax (800) 289-9150
International Tel +1 (559) 292-1981 Fax +1 (559) 348-1120