

Technical data sheet for

## **GAS TARGET TOP / ELECTRIC STATIC OVEN RANGE 900mm**

GE570

- Heavy-duty cast iron top with removable centre ring
- Matched modular height machined top for seamless work surface
- High output dual ring cast iron burner
- GN 2/1 6.5kW electric static oven
- Drop down door
- Rear rollers
- Stainless steel exterior
- Easy clean
- Easy service
- Fully modular



GE570

### **Overall Construction**

- Galvanized steel chassis
- Welded hob surround with 1.5mm 304 stainless steel bull nose
- Hob sides 1.2mm 304 stainless steel
- Splashback 1.2mm 304 stainless steel
- Front panels and oven sides 0.9mm 304 stainless steel
- Vitreous enamelled hob control panel
- 63mm dia. heavy-duty 1.2mm 304 stainless steel adjustable legs at front and two rollers at rear

### **Target top**

- 3 piece heavy-duty cast iron top with fully machined surface
- Top plates and removable centre with integral spill protection design
- Cast top reinforced with integral heat fins for heat zone definition
- 45MJ dual ring cast iron burner with single control
- Full pilot and flame failure protection
- 50mm thick refractory brick lined burner box for high heat retention
- 2 stainless steel spill trays
- Supplied with heavy-duty centre casting removal tool

### **Oven**

- Fully welded and vitreous enamelled oven liner
- GN 2/1 capacity with 4 position racking
- Heavy-duty easy remove heavy wire chrome rack supports
- Cast iron even heat oven sole plate
- 6.5kW heating elements
- Drop down door
- 0.9mm 304 stainless steel door outer
- 1.0mm vitreous enamelled door inner
- High density fibreglass insulated
- Supplied with two chrome wire oven racks

### **Controls**

- Large easy use control knobs - heat resistant reinforced
- Easy view control settings on knobs

### **Target top**

- Variable high to low burner control
- Single control knob for burner and pilot system
- Flame failure pilot burner
- Manual pilot ignition for reliable operation

### **Oven**

- Separate temperature and top heat power regulation controls
- 50-320°C thermostatic control
- Lo-Hi top heat control
- Indicator lights for power and heating

### **Cleaning and Servicing**

- Removable oven racking and sole plate
- Easy clean vitreous enamel oven and door inner
- Easy clean stainless steel exterior
- Access to all parts from front of unit

# Technical data sheet for GAS TARGET TOP / ELECTRIC STATIC OVEN RANGE 900mm

## Specifications

**Burners**  
4.5MJ dual ring cast iron - Target Top

**Elements**  
4.5kW bottom heat element  
2.0kW top heat element

**Gas power**  
45MJ/hr, 12.5kW

**Electrical requirements**  
6.5kW

**1 phase connection:**  
230-240Vac, 50/60hz, 1P+N+E, 27A

**3 phase connection:**  
400-415Vac, 50/60hz, 3P+N+E  
L1 9.4A  
L2 9.4A  
L3 8.3A

**Target Top**  
Cooking surface 900mm x 625mm, 5625cm<sup>2</sup>  
Centre 280mm diameter

**Oven Dimensions**  
Width 665mm  
Depth 590mm  
Height 385mm  
Rack size 660mm x 540mm  
Rack positions 4

**Gas connection**  
R 3/4 (BSP) male  
Optional underside connection, please specify when ordering  
All units supplied with Natural and LP gas regulator

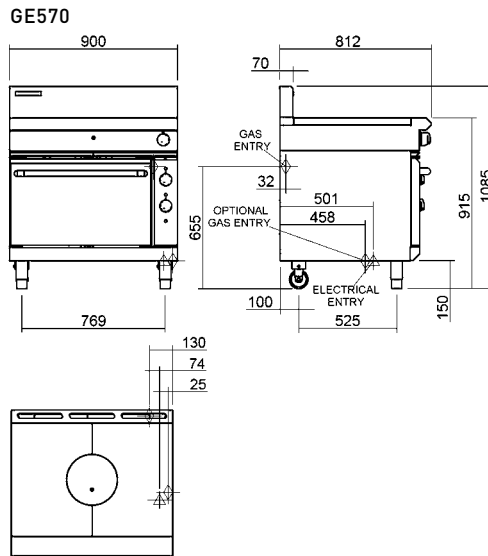
**Dimensions**  
Width 900mm  
Depth 812mm  
Height 915mm  
Incl. splashback 1085mm

**Nett weight**  
274kg

**Packing data**  
1.03m<sup>3</sup>, 340kg  
Width 945mm  
Depth 870mm  
Height 1255mm

**Gas types**  
Available in Natural gas and LP gas, please specify when ordering  
Units supplied complete with gas type conversion kits  
Other gas types on request

**Options**  
Adjustable feet at rear  
Joining caps  
Castors



**MOFFAT®**

Australia  
[www.moffat.com.au](http://www.moffat.com.au)  
New Zealand  
[www.moffat.co.nz](http://www.moffat.co.nz)

[www.bluesealevolution.com](http://www.bluesealevolution.com)

Australia  
Moffat Pty Limited

Victoria/Tasmania  
740 Springvale Road  
Mulgrave, Victoria 3170  
Telephone 03-9518 3888  
Facsimile 03-9518 3833  
[vsales@moffat.com.au](mailto:vsales@moffat.com.au)

New South Wales  
Telephone 02-8833 4111  
[nswsales@moffat.com.au](mailto:nswsales@moffat.com.au)

South Australia  
Telephone 03-9518 3888  
[vsales@moffat.com.au](mailto:vsales@moffat.com.au)

Queensland  
Telephone 07-3630 8600  
[qldsales@moffat.com.au](mailto:qldsales@moffat.com.au)

Western Australia  
Telephone 08-9202 6802  
[bgarcia@moffat.com.au](mailto:bgarcia@moffat.com.au)

New Zealand  
Moffat Limited

Christchurch  
16 Osborne Street  
Christchurch 8011  
Telephone 03-389 1007  
Facsimile 03-389 1276  
[sales@moffat.co.nz](mailto:sales@moffat.co.nz)

Auckland  
Telephone 09-574 3150  
[sales@moffat.co.nz](mailto:sales@moffat.co.nz)



ISO9001  
Quality  
Management  
Standard

Designed and manufactured by

**MOFFAT®**

ISO9001

All Blue Seal products are designed and manufactured by Moffat using the internationally recognised ISO9001 quality management system, covering design, manufacture and final inspection, ensuring consistent high quality at all times.



Australian  
Gas Association  
Approved

In line with policy to continually develop and improve its products, Moffat Limited reserves the right to change specifications and design without notice.

Printed in China  
© Copyright Moffat Ltd  
Moffat/4825/BH/2.5M/12.06



**BLUE SEAL®**  
EVOLUTIONSERIES