

**P360WB70  
Europe**

# ***PS360WB70 Gas Oven***

## ***Models:***

- PS360WB70-U
- PS360WB70-L

# ***PARTS MANUAL***

***for European export ovens***

© 2000 Middleby Marshall, Inc.



**Middleby  
Marshall®** is a registered trademark of Middleby Marshall, Inc. All rights reserved.

Middleby Cooking Systems Group • 1400 Toastmaster Drive • Elgin, IL 60120 • (847)741-3300 • FAX (847)741-4406

**WARNING**  
**FOR YOUR SAFETY DO NOT STORE OR USE GASOLINE OR OTHER  
FLAMMABLE VAPORS AND LIQUIDS IN THE VICINITY OF THIS OR  
ANY OTHER APPLIANCE**

**WARNING**  
Improper installation, adjustment, alteration, service or maintenance  
can cause property damage, injury or death. Read the installation,  
operating and maintenance instructions thoroughly before install-  
ing or servicing this equipment.

**WARNING**  
**DISCONNECT THE OVEN FROM ITS ELECTRICAL POWER SUPPLY  
BEFORE SERVICING.**

**NOTICE**  
Using any parts other than genuine Middleby Marshall factory manufactured parts relieves  
the manufacturer of all warranty and liability.

**NOTICE**  
Middleby Marshall (Manufacturer) reserves the right to change specifications at any time.

## TABLE OF CONTENTS

<i>Section</i>	<i>Page</i>
I. KEY SPARE PARTS KIT .....	4
II. INSTALLATIONKIT .....	5
III. OVEN PANELS, WINDOW AND LEGS .....	6
IV. SHROUDS AND VENTS .....	8
V. MACHINERY COMPARTMENT .....	10
VI. CONTROL PANEL AND DOOR ASSEMBLIES .....	12
VII. GAS BURNER SYSTEM-ORIGINAL CONFIGURATION .....	14
VIII. GAS BURNER SYSTEM-CURRENT CONFIGURATION .....	16
IX. CONVEYOR ASSEMBLY, SINGLE-BELT OVENS .....	18
X. CONVEYOR ASSEMBLY, SPLIT-BELT OVENS .....	20
XI. UPPER OVEN STAND .....	22

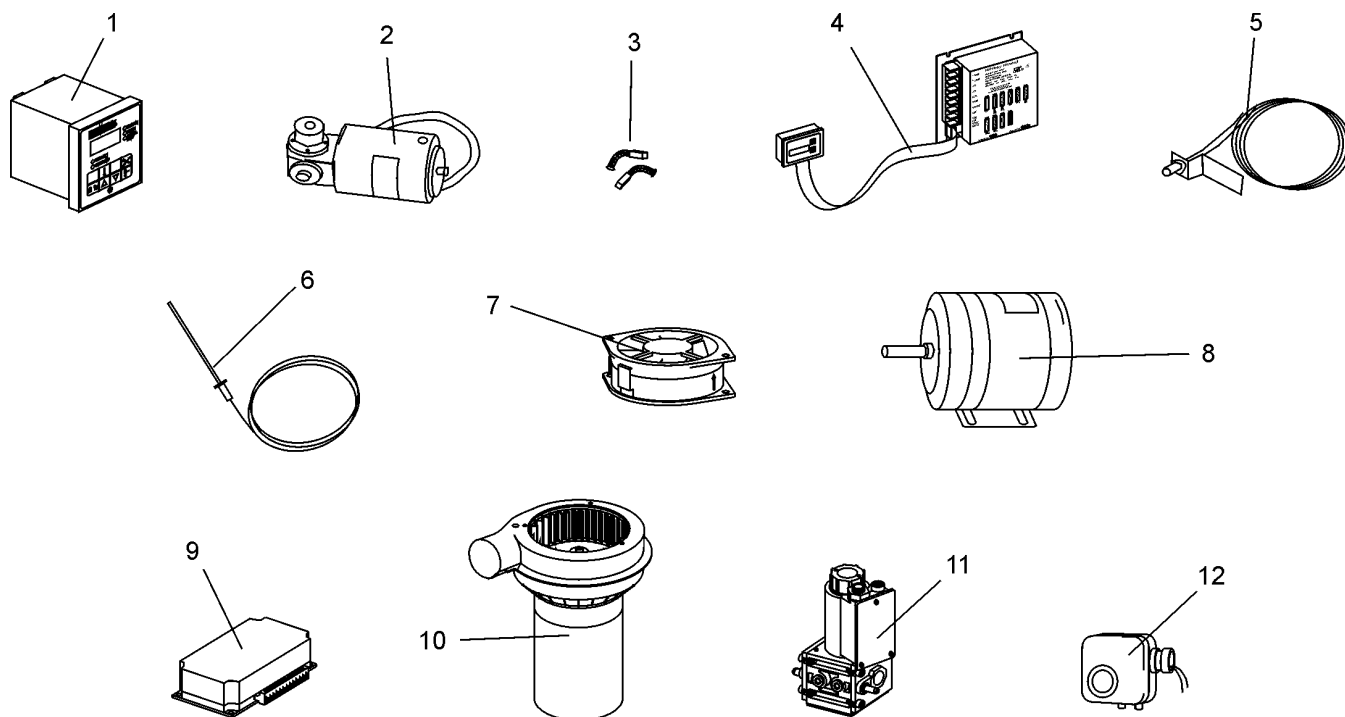
**NOTE:** Throughout this Parts Manual, the following abbreviations are used:

*A/R = Quantity As Required*

*N/A = Does Not Apply*

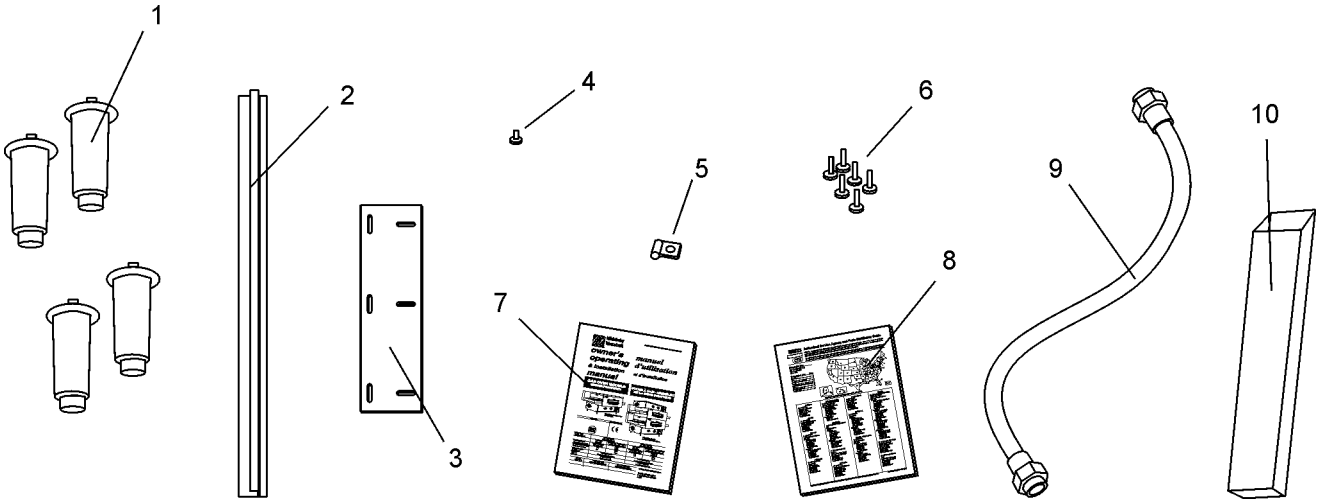
P360WB70  
Europe

## I. KEY SPARE PARTS KIT



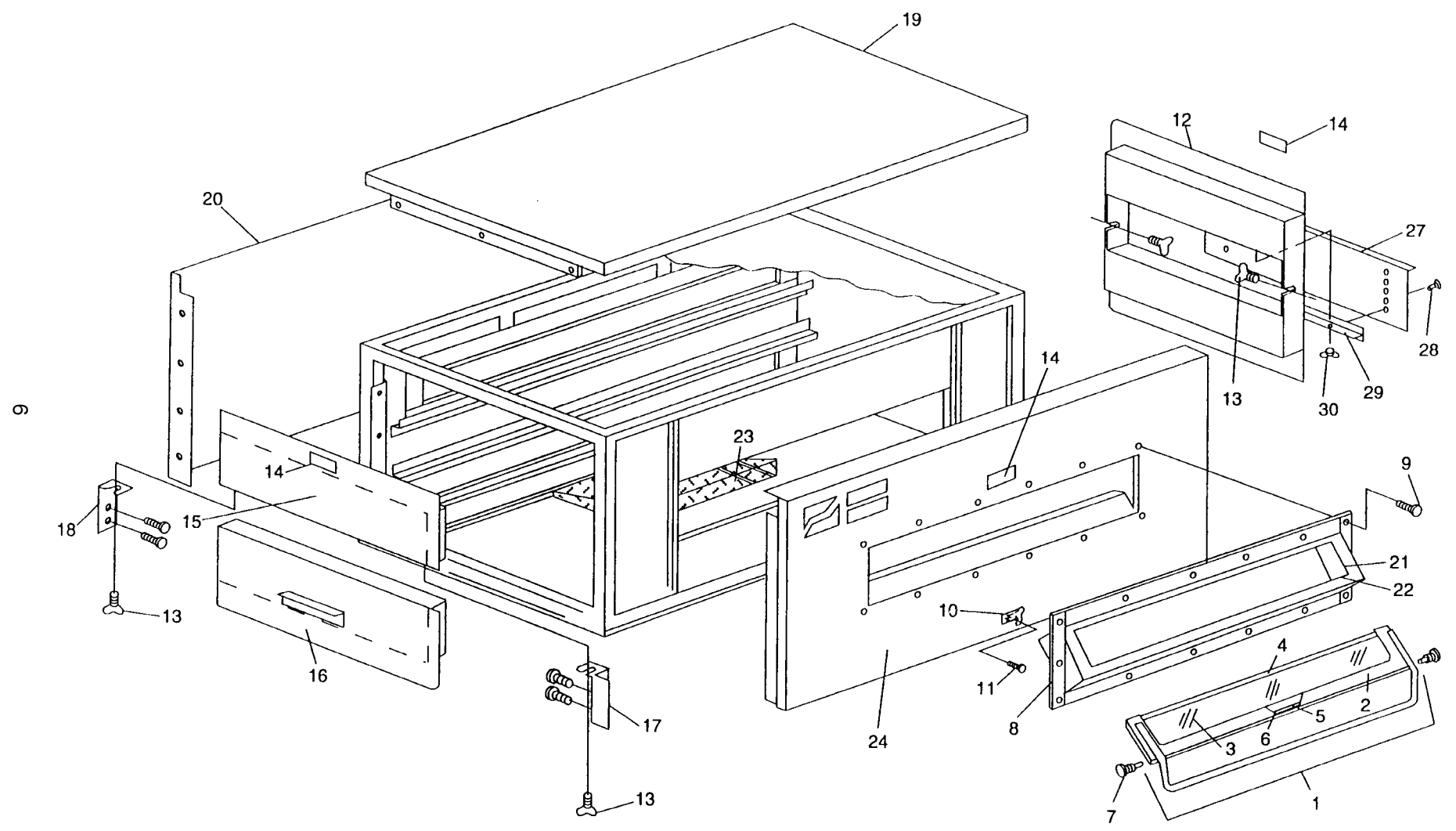
<b>ITEM</b>	<b>P/N</b>	<b>DESCRIPTION</b>
1	36939	KIT, DIGITAL TEMPERATURE CONTROLLER
2	27384-0008	CONVEYOR DRIVE MOTOR
3	22450-0052	BRUSHES, CONVEYOR DRIVE MOTOR
4	37337	KIT, CONVEYOR SPEED CONTROLLER WITH DIGITAL DISPLAY
5	27170-0263	CONVEYOR CONTROL PICKUP ASSEMBLY
6	33984	THERMOCOUPLE
7	36451	COOLING FAN
8	31432	BLOWER MOTOR, 1 PH, 1 HP
9	35825	KIT, IGNITION MODULE (FOR CURRENT BURNER CONFIGURATION - pp. 16-17)
10	38811	BURNER BLOWER/MOTOR ASSEMBLY
11	37770	KIT, SOLENOID VALVE
12	35625	KIT, AIR SWITCH

## II. INSTALLATION KIT



**P360WB70  
Europe**

ITEM	QTY.			P/N	DESCRIPTION
	LWR OVEN W/O TOP	LWR OVEN W/TOP	UPR OVEN		
1	4	4	–	22450-0028	LEGS, ADJUSTABLE
2	1	1	1	36526	CONVEYOR END STOP
3	–	–	2	35122-0049	ATTACHMENT PLATE, UPPER OVEN
4	3	3	3	21256-0008	SCREW, #10-32 X 3/8"
5	1	1	1	27276-0001	CABLE CLAMP
6	4	4	16	21292-0001	SCREW, #2PT 10-16 X 3/4" HWH
7	1	1	1	31826	OWNER'S OPERATING AND INSTALLATION MANUAL
8	1	1	1	1002040	AUTHORIZED SERVICE AGENCY LISTING
9	1	1	1	22361-0001	GAS HOSE, FLEXIBLE
10a	–	1	–	30773	FLUE VENT, 0.36m
10b	–	–	1	30759	FLUE VENT, 0.75m
10c	1	–	–	30758	FLUE VENT, 1.27m

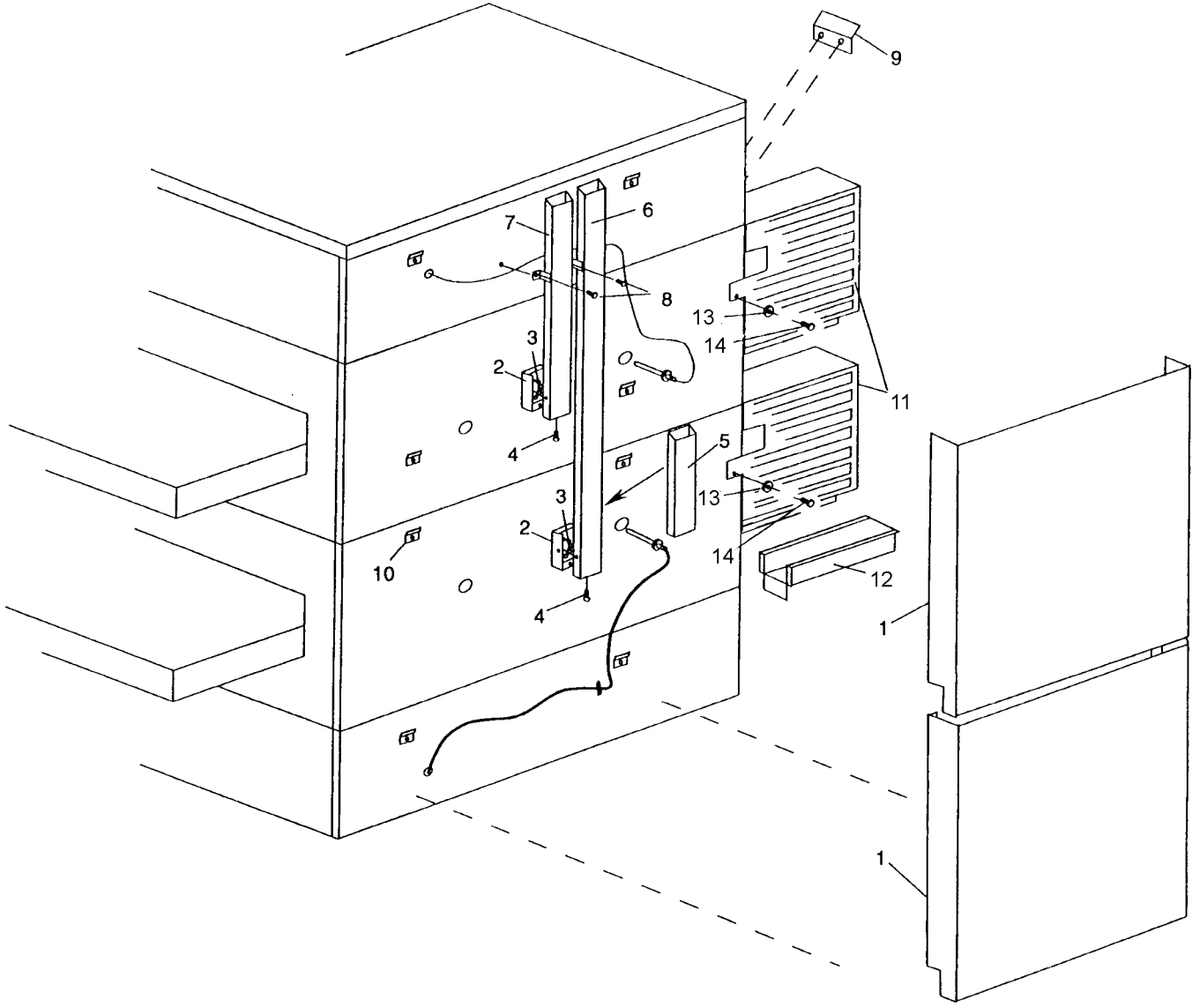


### III. OVEN PANELS, WINDOWS, AND LEGS

ITEM	QTY.	P/N	DESCRIPTION
1	1	42400-0156	GLASS FRAME/HANDLE ASSEMBLY
2	1	37115-0136	GLASS FRAME/HANDLE WELDMENT
3	1	22140-0012	GLASS
4	1	35000-1025	TOP FRAME
5	A/R	17130-0006	SILICONE - ADH. SEAL
6	1	33300-0114	TUBE SS. 18 GA. 37" X 3/8"
7	2	34121-0003	SCREW - THUMB PIVOT
8	1	37000-0371	WINDOW/MTG FRAME WELDMENT
9	14	31451	SCREW 6/32 X 5/8"
10	1	42400-0087	LATCH ASSEMBLY
12a	1	37000-0740	END PLIIG - RIGHT, UPPER OVEN
12b	1	37000-0739	END PLLIG - RIGHT, LOWER OVEN
13	4	31409	WING SCREW
14	3	30631	CAUTION LABEL
15a	1	37000-0738	END PLUG - TOP HALF - LEFT, UPPER OVEN
15b	1	<i>Not available</i>	END PLUG - TOP HALF - LEFT, UPPER OVEN (For ovens with gooseneck fingers)
15c	1	37000-0736	END PLUG - TOP HALF - LEFT, LOWER OVEN
15d	1	<i>Not available</i>	END PLUG - TOP HALF - LEFT, LOWER OVEN (For ovens with gooseneck fingers)

ITEM	QTY.	P/N	DESCRIPTION
16a	1	37000-0737	END PLUG - BOTTOM HALF - LEFT, UPPER OVEN
16b	1	37000-0735	END PLUG - BOTTOM HALF - LEFT, LOWER OVEN
17a	1	35000-1831	END PLUG BRACKET - LH FRONT
17b	1	<i>Not available</i>	END PLUG BRACKET - LH FRONT (For ovens with gooseneck fingers)
18a	1	35000-1833	END PLUG BRACKET - LH REAR
18b	1	<i>Not available</i>	END PLUG BRACKET - LH REAR (For ovens with gooseneck fingers)
19a	1	31943	TOP PANEL (LOWER SINGLE OVEN ONLY)
19b	1	31641	TOP PANEL (UPPER OVEN)
20	1	31402	REAR PANEL
21	A/R	22420-0005	WINDOW GASKET
23	1	32220	SCREEN GUARD (Option) BURNER CHAMBER
24a	1	31403	FRONT PANEL, OUTER, LOWER OVEN
24b	1	31404	FRONT PANEL, OUTER, UPPER OVEN
26	A/R	22131-0004	INSULATION 1" INSIDE OF ALL TOP, FRONT AND REAR PANELS (NOT SHOWN)
27	1	35200-0034	EYEBROW
28	2	21141-0001	WING NUT SS. 1/4-20
29	1	37000-0571	EYEBROW MOUNTING BRACKET
30	2	21292-0001	WASHER HD. SCREW, 2 PT, 310-16 x 3/4" LONG

**P360WB70**  
**Europe**





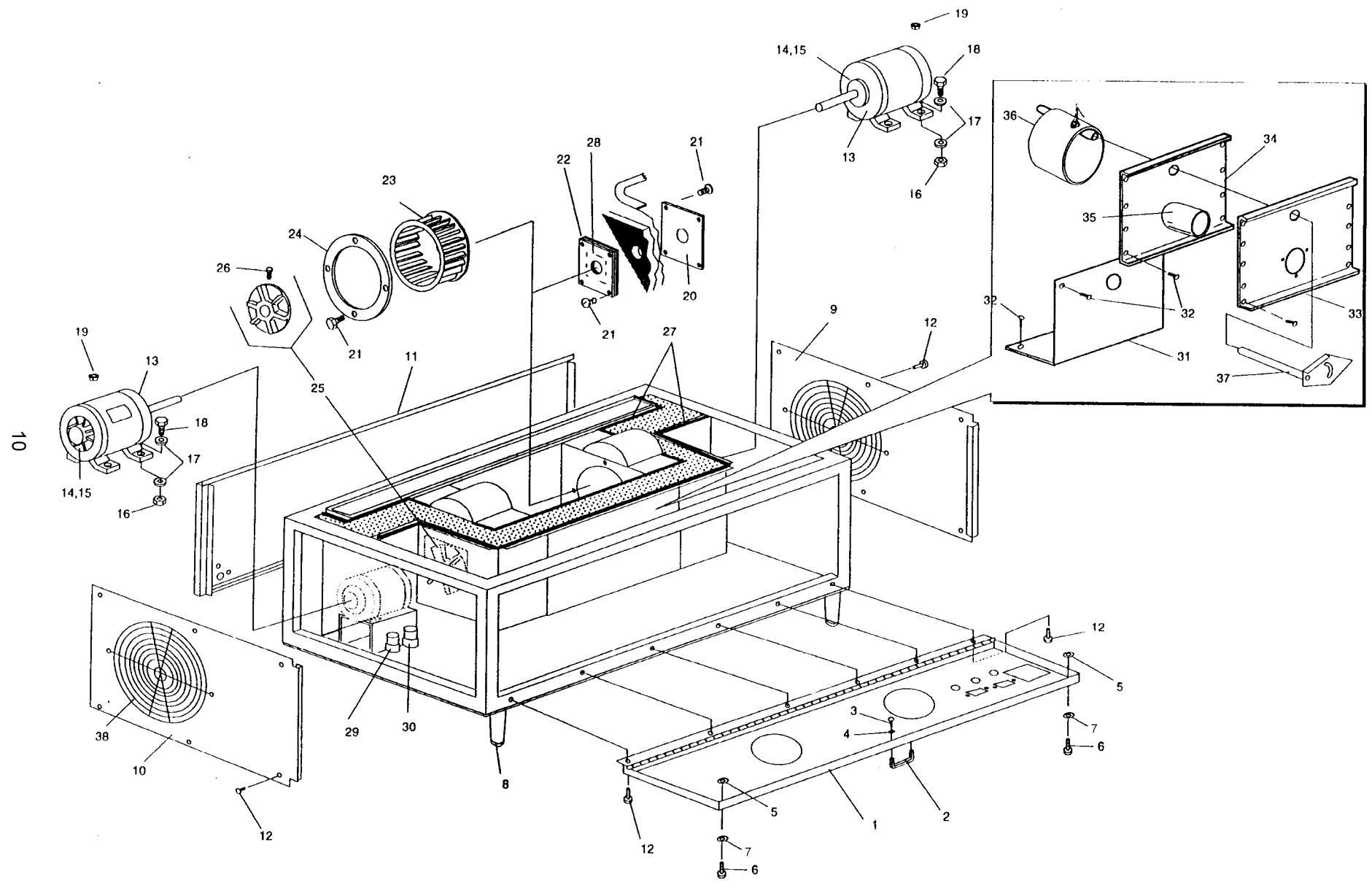
## IV. SHROUDS AND VENTS

<i>ITEM</i>	<i>QTY. SINGLE OVEN</i>	<i>QTY. DOUBLE OVEN</i>	<i>P/N</i>	<i>DESCRIPTION</i>
1a	1	2	31495	FLUEVENT SHROUD, 2" (51mm)
1b	1	2	32137	FLUE VENT SHROUD, 5" (127mm)
2	1	2	30758	VENT MOUNTING BOX
3	1	2	27280-0005	NUT
4	2	4	21256-0008	HEX HEAD SCREW #10-32 X 3/8"
5	1	-	30773	VENT, 14" (356mm) - FOR LOWER OVENS
6	-	1	30760	VENT, 50" (1270mm) - FOR LOWER OVENS
7	1	1	30759	VENT, 29-1/2" (749mm) - FOR UPPER OVENS

<i>ITEM</i>	<i>QTY. SINGLE OVEN</i>	<i>QTY. DOUBLE OVEN</i>	<i>P/N</i>	<i>DESCRIPTION</i>
8	2	4	21292-0001	HEX HEAD SCREW #10-16 X 3/4"
9	1	2	35000-1017	UTILITY SHROUD HANGER
10	4	8	35000-1622	HANGER, REAR SHROUD
11a	1	2	30364	UTILITY SHROUD ASSEMBLY
11b	1	2	32049	UTILITY SHROUD ASSEMBLY (Split Belt Conveyor)
12a	1	2	30363	UTILITY SHROUD, BOTTOM
12b	1	2	32048	UTILITY SHROUD, BOTTOM (Split Belt Conveyor)
13	1	2	21416-0005	WASHER
14	1	2	2000346	SCREW 1/4"-20 X 1/2

6

**P360WB70  
Europe**



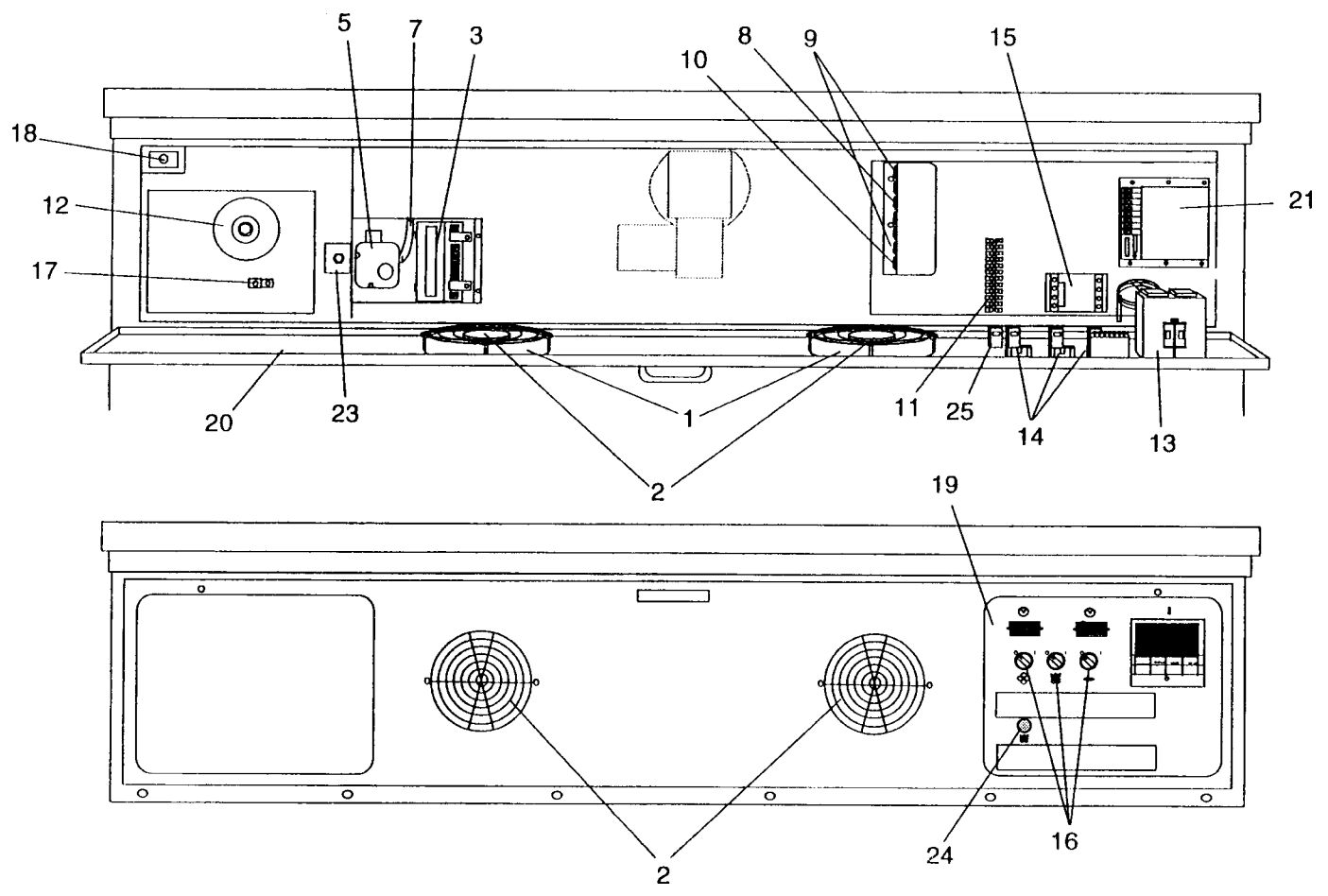
10

## V. MACHINERY COMPARTMENT

ITEM	QTY.	P/N	DESCRIPTION
1	1	31859	CONTROL DOOR
2	1	3101772	CONTROL DOOR HANDLE
3	2	2000177	SCREW, #10-32 x 18
4	2	2001740	WASHER, LOCK
5	2	21186-0010	RETAINER
6	2	2000294	FLAT HEAD SCREW, #10-24 x 1-1/4"
7	2	21475-0001	FINISHING WASHER, #10
8	4	22450-0028	ADJUSTABLE LEG
9	1	31728	END PANEL - RIGHT on Lower Oven, LEFT on Upper Oven
10	1	31727	END PANEL - LEFT on Lower Oven, RIGHT on Upper Oven
11	1	31533	REAR PANEL
12	18	31451	SCREW, #10-24 x 1/2
13	2	31432	MOTOR, 1 HP, 208/230V, 50/60 HZ, 1 PH
--	1 oz.	17110-0018	TUBE OF ANTI-SEIZE LUBRICANT (NOT SHOWN)
16	8	21126-0004	HEX NUT, 5/16"-18
17	18	21412-0005	FLAT WASHER, 5/16"
18	8	A3896	HEX CAP SCREW, 5/16"-18 x 1"
19	2	27221-0013	BUSH, SNAP NYLON
20	2	35000-1780	HEAT SINK PLATE

ITEM	QTY.	P/N	DESCRIPTION
21	A/R	21292-0001	HEX SCREW, #10-16 x 3/4"
22	2	37115-0151	INNER SHAFT SEAL WELDMENT
23a	1	31599	CLOCKWISE BLOWER WHEEL, 9-7/8" D - LH SIDE OF LOWER OVEN, RH SIDE OF UPPER OVEN
23b	1	31600	COUNTERCLOCKWISE BLOWER WHEEL, 9-7/8" D - RH SIDE OF LOWER OVEN, LH SIDE OF UPPER OVEN
24	2	31602	INLET CONE, 9-7/8" D
25	2	27396-0005	HEAT SLINGER ASSEMBLY w/SET SCREW
26	2	21276-0039	SET SCREW, 1/4"-20
27	1 ft.	22420-0002	GASKET, 21.7 FT. (6.6 m) REQUIRED
28	2	35000-1781	TEFLON SEAL
29	2	27170-0269	CAPACITOR, START
30	2	27170-0270	CAPACITOR, RUN
31	1	31477	BURNER SHIELD
32	A/R	21292-0001	HEX SCREW, #10-16 X 3/4"
33	1	35000-1036	BURNER MOUNTING PLATE
34	1	31470	BURNER INNER MOUNTING PLATE
35	1	31471	BURNER TUBE
36	1	31494	ADJUSTABLE FLAME TUBE
37	1	37000-0658	ADJUSTABLE FLAME TUBE INDICATOR
38	2	27470-0039	GRILL, EXHAUST FAN

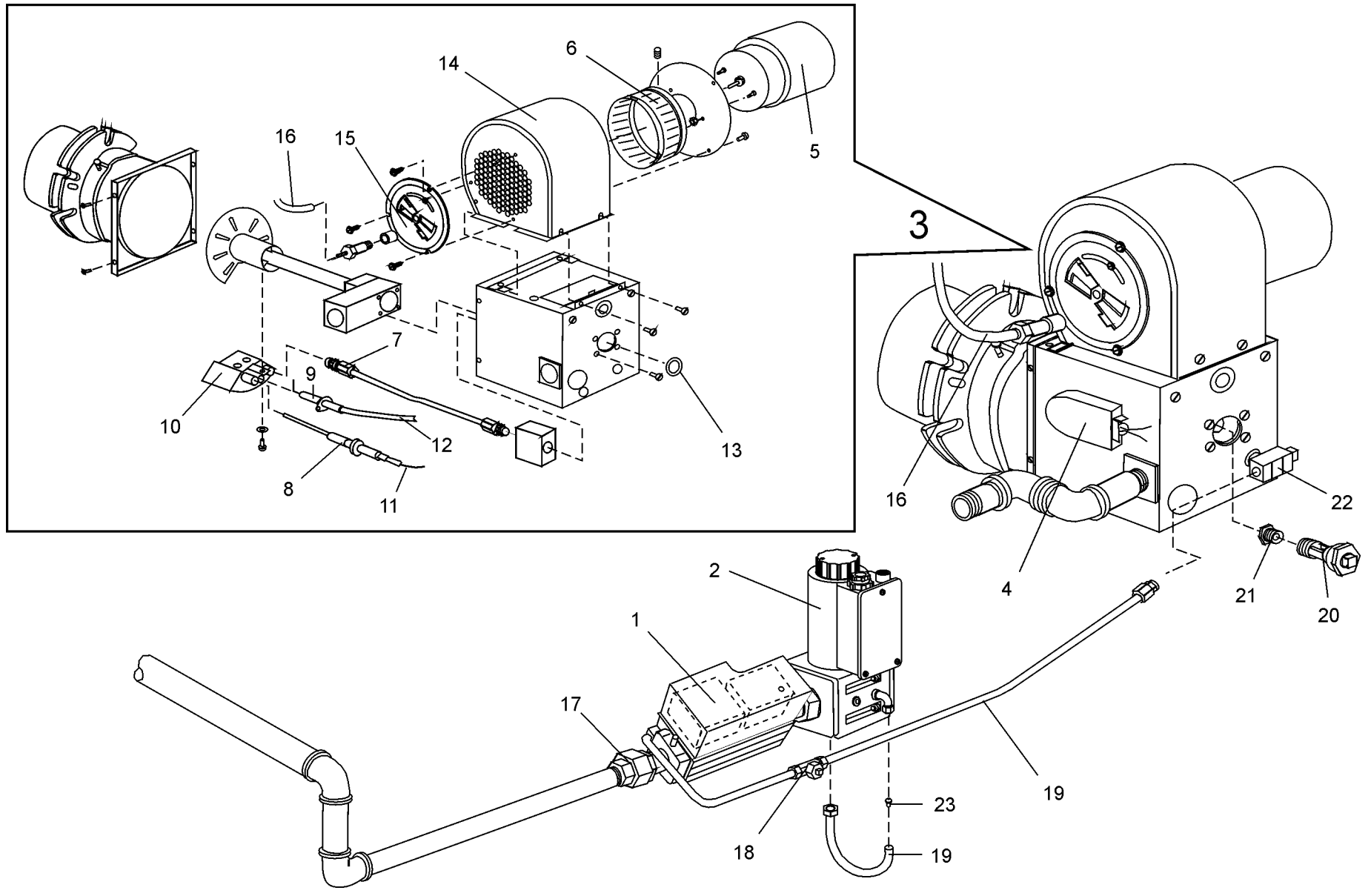
**P360WB70  
Europe**



## VI. CONTROL PANEL AND DOOR ASSEMBLIES

<i>ITEM</i>	<i>QTY.</i>	<i>P/N</i>	<i>DESCRIPTION</i>
1	2	31725	COOLING FAN
2	4	31497	GUARD, COOLING FAN
3a	1	31501	KIT, IGNITION MODULE, FOR ORIGINAL BURNER CONFIGURATION (pp. 14-15)
3b	1	35825	KIT, IGNITION MODULE, FOR CURRENT BURNER CONFIGURATION (pp. 16-17)
5	2	35625	KIT, AIR SWITCH
7	A/R	22450-0297	TUBING, SILICONE RUBBER
8	2	32210	CIRCUIT BREAKER, 6 AMP
9	4	31498	CIRCUIT BREAKER, 10 AMP
10	1	31503	CIRCUIT BREAKER, 2 AMP
11	1	31499	TERMINAL BLOCK
12	1	31504	TRANSFORMER, 200 VA

<i>ITEM</i>	<i>QTY.</i>	<i>P/N</i>	<i>DESCRIPTION</i>
13	1	36939	TEMPERATURE CONTROL
14	3	27060-0012	CONTACT BLOCK WITH BASE
15	1	28041-0011	CONTACTOR
16	3	28021-0062	SWITCH SEL. STD. 2 POS.-BLUE
17	1	27253-0002	GROUND LUG
18	1	28021-0047	DOOR SAFETY SWITCH
19	1	32212	CONTROL FACE PLATE
20	1	32270	LABEL - WIRING DIAGRAM
21	1	37337	CONVEYOR SPEED CONTROL WITH DIGITAL DISPLAY
-	-	37503	DIGITAL DISPLAY ONLY
23	1	28140-0006	HIGH LIMIT THERMOSTAT
24	1	28201-0016	LIGHTED PUSHBUTTON SWITCH
25	1	27073-0007	BULB, NEON, 220V



## VII. GAS BURNER SYSTEM - ORIGINAL CONFIGURATION

<i>ITEM</i>	<i>QTY.</i>	<i>P/N</i>	<i>DESCRIPTION</i>
1	1	28092-0020	MULTIFUNCTION GAS VALVE
2	1	37770	KIT, SOLENOID VALVE
3	1	31441	BURNER ASSEMBLY
4	1	32187	CAPACITOR, START
5	1	32195	BURNER MOTOR
6	1	32194	BLOWER WHEEL
7	1	32193	PILOT ASSEMBLY
8	1	32190	FLAME SENSOR
9	1	32191	SPARK ELECTRODE
10	1	32192	PILOT ASSEMBLY
11	1	32188	FLAME SENSOR CABLE
12	1	32189	SPARK ELECTRODE CABLE

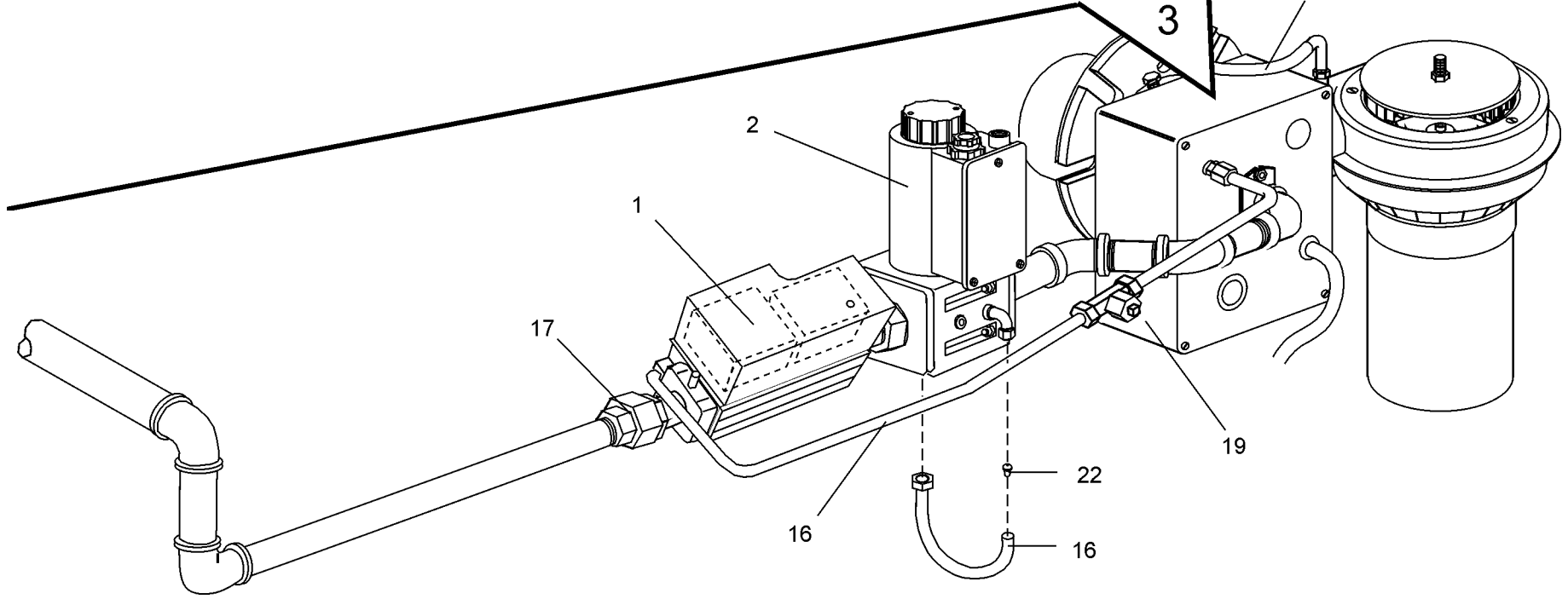
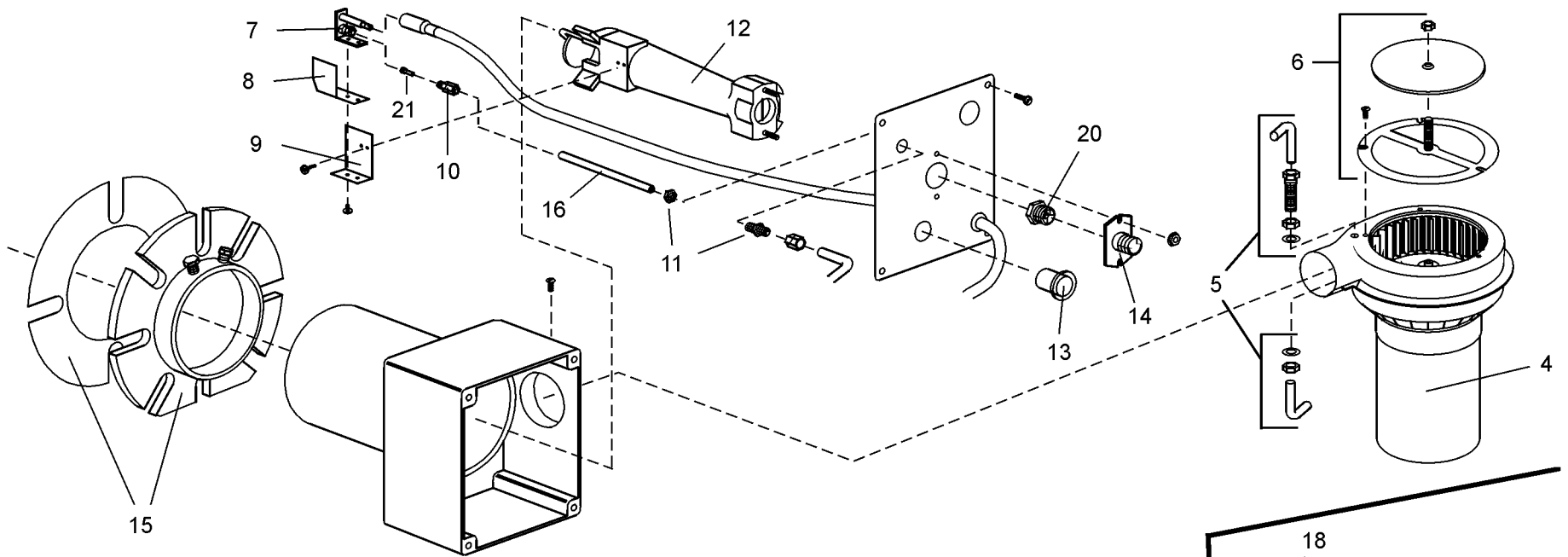
<i>ITEM</i>	<i>QTY.</i>	<i>P/N</i>	<i>DESCRIPTION</i>
13	1	32314	GASKET
14	1	32313	BLOWER HOUSING
15	1	36830	SHUTTER PLATE ASSEMBLY
16	A/R	22450-0297	TUBING, SILICONE RUBBER
17	1	23051-0004	GAS PIPE UNION
18	1	30185	KIT, PILOT PRESSURE TAP (PILOT TEE)
19	A/R	15125-0002	TUBING, ALUMINUM
20	1	32315	ORIFICE HOLDER WITH 1/8" PLUG
21	1	<i>See chart</i>	ORIFICE, MAIN
22	1	<i>See chart</i>	ORIFICE, PILOT
23	1	<i>See chart</i>	ORIFICE, BYPASS

15

### GAS ORIFICES

<i>GAS TYPE</i>		<i>ITEM 21 MAIN ORIFICE</i>		<i>ITEM 22 PILOT ORIFICE</i>		<i>ITEM 23 BYPASS ORIFICE</i>	
Natural	G20	22176-0014	6.4mm	31818	0.81mm	30874	2.30mm
Natural	G25	22176-0014	6.4mm	31818	0.81mm	30874	2.30mm
Natural	G20,G25	22176-0014	6.4mm	31818	0.81mm	31983	2.00mm
Liquid	G30	31984	3.4mm	31819	0.64mm	31313	1.40mm
Liquid	G30,G31	31984	3.4mm	31819	0.64mm	31313	1.40mm

**P360WB70  
Europe**





## VIII. GAS BURNER SYSTEM - CURRENT CONFIGURATION

<i>ITEM</i>	<i>QTY.</i>	<i>P/N</i>	<i>DESCRIPTION</i>
1	1	28092-0020	MULTIFUNCTION GAS VALVE
2	1	37770	KIT, SOLENOID VALVE
3	1	38126	BURNER ASSEMBLY
4	1	27170-0287	BLOWER/MOTOR ASSEMBLY
5	1	42400-0640	PITOT TUBE ASSEMBLY
6	1	42810-0087	EXTERNAL AIR SHUTTER KIT
7	1	42810-0117	KIT, PILOT ASSY WITH IGNITOR
8	1	27170-0204	PILOT SHIELD
9	1	27170-0264	PILOT IGNITOR BRACKET
10	1	38284	PILOT TUBING FITTING
11	1	23052-0007	PILOT BULKHEAD FITTING
12	1	38127	VENTURI ASSEMBLY
13	1	38280	WINDOW PLUG
14	1	38279	ORIFICE HOLDER/GAS INLET CONNECTOR

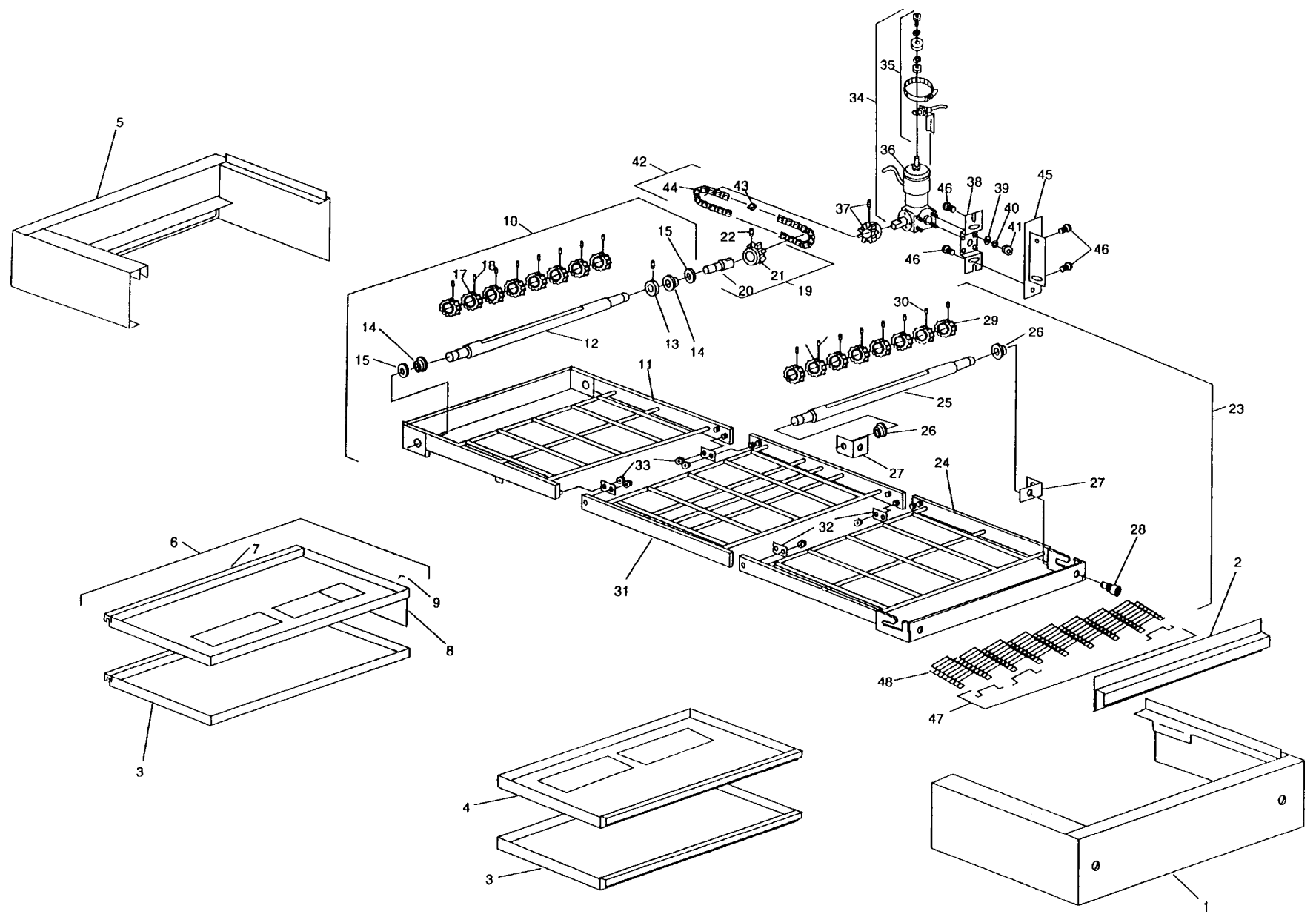
<i>ITEM</i>	<i>QTY.</i>	<i>P/N</i>	<i>DESCRIPTION</i>
15	1	36562	BURNER MOUNTING RING KIT
16	A/R	15125-0002	TUBING, ALUMINUM, 1 FT. (305mm)
17	1	23051-0004	GAS PIPE UNION
18	A/R	22450-0297	TUBING, SILICONE RUBBER
19	1	30185	KIT, PILOT PRESSURE TAP (PILOT TEE)
20	1	<i>See chart</i>	ORIFICE, MAIN
21	1	<i>See chart</i>	ORIFICE, PILOT
22	1	<i>See chart</i>	ORIFICE, BYPASS

17

### GAS ORIFICES

<i>GAS TYPE</i>		<i>ITEM 20 MAIN ORIFICE</i>		<i>ITEM 21 PILOT ORIFICE</i>		<i>ITEM 22 BYPASS ORIFICE</i>	
Natural	G20	22176-0014	6.4mm	–	0.81mm	30874	2.30mm
Natural	G25	22176-0014	6.4mm	–	0.81mm	30874	2.30mm
Natural	G20,G25	22176-0014	6.4mm	–	0.81mm	31983	2.00mm
Liquid	G30	31984	3.4mm	22174-0011	0.64mm	31313	1.40mm
Liquid	G30,G31	31984	3.4mm	22174-0011	0.64mm	31313	1.40mm

**P360WB70**  
**Europe**



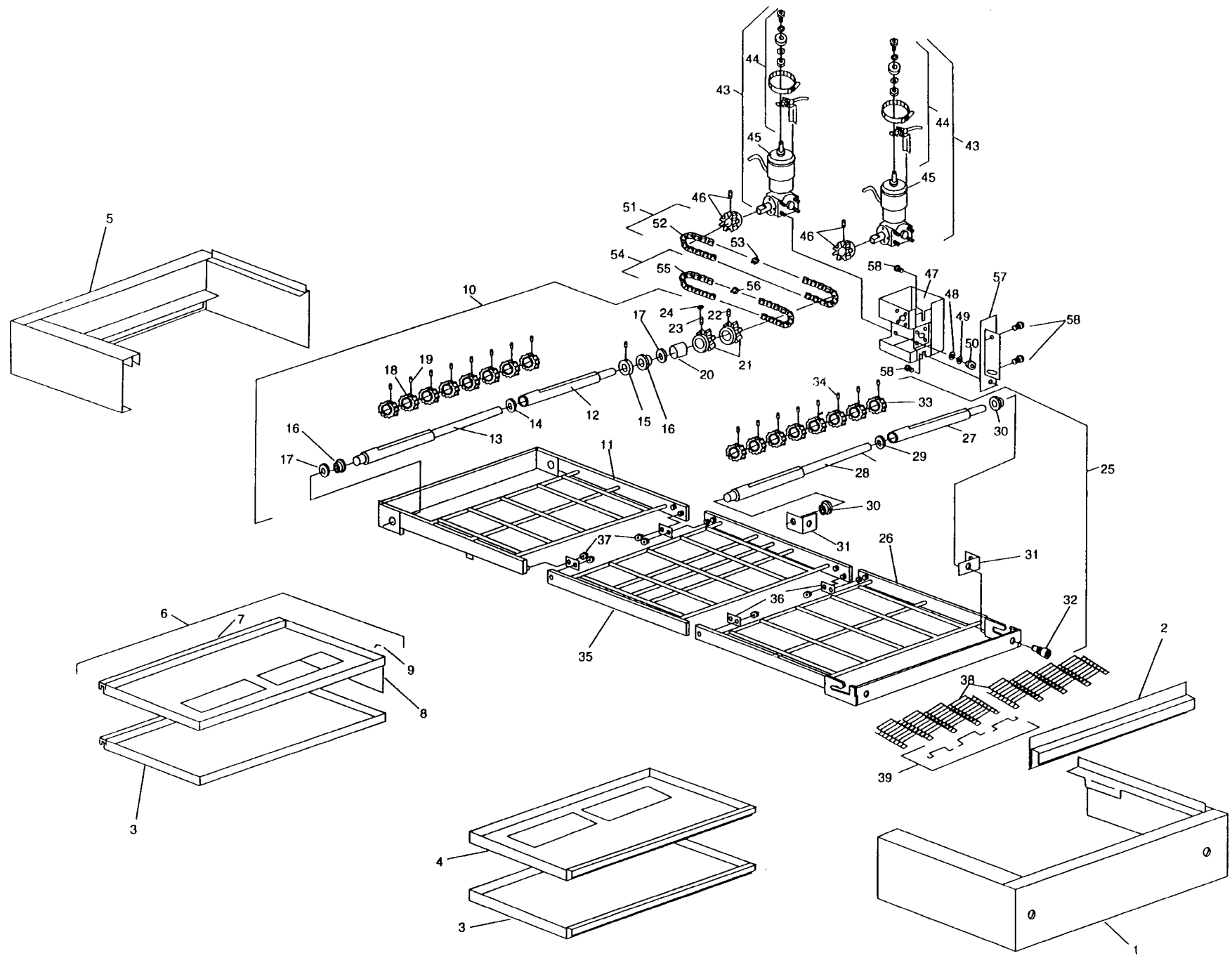
## IX. CONVEYOR ASSEMBLY, SINGLE-BELT OVENS

ITEM	QTY.	P/N	DESCRIPTION
1	1	37000-0023	COVER, CONVEYOR EXTENSION RIGHT
2	1	37000-0524	WIDE STOP, CONVEYOR (OPTIONAL)
3	2	35000-1861	CRUMB PAN (LOWER DOUBLE OR ANY SINGLE OVEN)
4	1	35000-1862	CRUMB PAN - RIGHT (UPPER DOUBLE OVEN)
5	1	37000-0025	COVER - CONVEYOR EXTENSION - LEFT
6	1	42400-0593	CRUMB PAN ASSY - LEFT (UPPER DOUBLE OVEN)
7		35000-1862	CRUMB PAN - LEFT
8	1	35000-1079	HEAT DIVERTER
9	4	21516-0001	POP RIVET - 1/8"
10	1	31418	CONVEYOR ASSEMBLY - COMPLETE WITH BELT
11	1	31480	CONVEYOR FRAME ASS'Y - LEFT
12	1	31420	CONVEYOR FRAME WELDMENT - LEFT
13	1	35000-1864	CONVEYOR DRIVE SHAFT
14	2	22011-0013	SHAFT COLLAR WITH SCREW
15	2	22034-0003	BUSHING 5/8" ID X 3/4" OD X 1/2" LONG
16	1	35000-1080	SPACER - NYLON
17	8	22229-0003	CONVEYOR SPROCKET WITH SCREW
18	8	21276-0039	SOCKET SET SCREW 1/4"-28 X 3/8"
19	1	42400-0309	DRIVE SPROCKET ASS'Y
20	1	35000-1013	DRIVE SHAFT ADAPTER
21	1	22152-0017	ROLLER CHAIN SPROCKET - 9T
22	1	21276-0038	SOCKET SET SCREW #10-24 X 5/16"

ITEM	QTY.	P/N	DESCRIPTION
23	1	31481	CONVEYOR FRAME ASS'Y - RIGHT
24	1	31479	CONVEYOR FRAME WELDMENT - RIGHT
25	1	35000-1865	CONVEYOR IDLER SHAFT
26	2	22034-0003	BUSHING 5/8" ID X 3/4" OD X 1/2" LONG
27	2	37000-0413	IDLER WELDMENT
28	2	35000-1008	CONVEYOR ADJUSTMENT BOLT
29	8	22229-0003	CONVEYOR SPROCKET WITH SCREW
30	8	21276-0039	SOCKET SET SCREW 1/4"-20 X 3/8"
31	1	31412	CONVEYOR INNER FRAME WELDMENT
32	1	35900-0169	CONVEYOR FRAME PIVOT PLATE
33	1	21176-0001	LOCK NUT, HEX 1/4"-20
34	1	42400-0477	GEAR MOTOR WITH PICKUP ASSEMBLY
35	1	27170-0263	PICK UP ASSEMBLY ONLY
36	1	27384-0008	REDUCTION GEAR MOTOR
--	2	22450-0052	BRUSHES - CONVEYOR DRIVE MOTOR
37	1	22152-0018	CHAIN SPROCKET - 15T WITH 1/4"-20 SET SCREW
38	1	35000-1021	CONVEYOR MOTOR MOUNTING BRACKET
39	4	21411-0003	FLAT WASHER 1/4"
40	4	21426-0002	LOCK WASHER 1/4"
41	4	2112B-0009	HEX NUT 1/4"-20
42	1	42400-0163	ROLLER CHAIN ASSEMBLY - 52 LINKS
43	1	22273-0001	MASTER LINK
44	1	31000-0037	ROLLER CHAIN - 52 LINKS
45	1	37000-0427	CONVEYOR MOTOR MOUNTING WELDMENT
46	4	220373	HEX HEAD CAP SCREW 3/8"-16 x 1"
47	1	42400-0598	MASTER LINK KIT (RIGHT, MIDDLE & LEFT LINKS)
48	A/R	31417	CONVEYOR CHAIN

19

**P360WB70**  
**Europe**



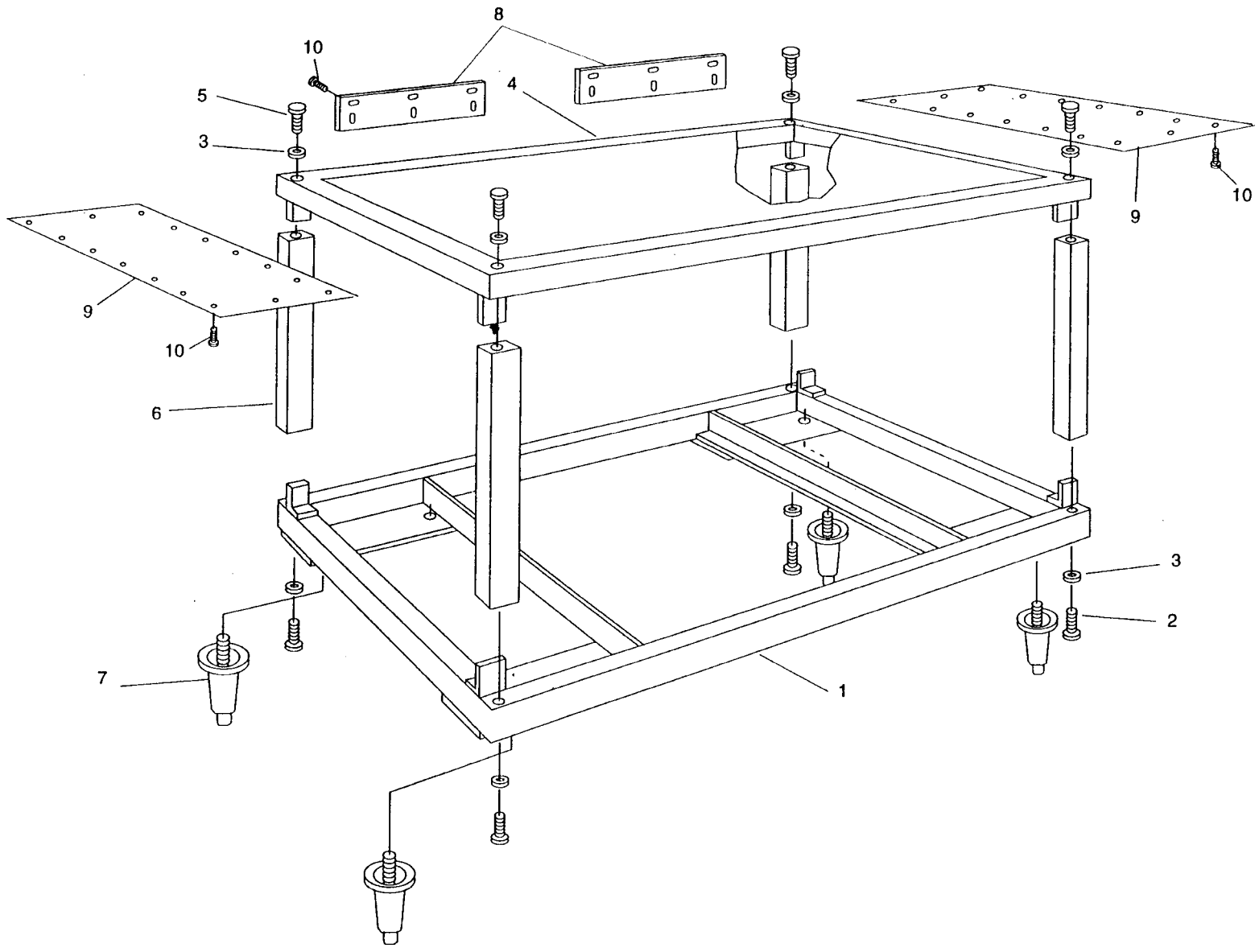
## X. CONVEYOR ASSEMBLY, SPLIT-BELT OVENS

ITEM	QTY.	P/N	DESCRIPTION
1	1	37200-0023	COVER,CONVEYOREXTENSIONRIGHT
2	1	37000-0524	WIDE STOP, CONVEYOR(OPTIONAL)
3	2	35000-1861	CRUMB PAN (LOWER DOUBLE OR ANY SINGLE OVEN)
4	1	35000-1862	CRUMB PAN - RIGHT (UPPER DOUBLE OVEN)
5	1	37000-0025	COVER - CONVEYOREXTENSION - LEFT
6	1	30110	CRUMB PAN ASSY - LEFT (UPPER DOUBLE OVEN)
7	1	35000-1862	CRUMB PAN - LEFT
8	1	35000-1079	HEAT DIVERTER
9	4	21516-0001	POP RIVET - SS. 1/8"
--	1	32217	CONVEYOR ASSEMBLY - COMPLETE WITH BELT
10	1	32218	CONVEYOR FRAME ASSY - LEFT
11	1	31420	CONVEYOR FRAME WELDMENT - LEFT
12	1	35200-0066	REAR CONVEYOR DRIVE SHAFT
13	1	42400-0632	FRONT CONVEYOR DRIVE SHAFT
14	1	21415-0001	FLAT WASHER - BRONZE
15	1	22011-0014	SPLIT LOCKING COLLAR
16	2	22034-0003	BUSHING 5/8" ID X 3/4" OD X 1/2" LONG
17	2	35000-1080	SPACER - NYLON
18	8	22229-0003	CONVEYOR SPROCKET WITH SCREW
19	8	21276-0039	SOCKET SET SCREW 1/4"-28 X 3/8"
20	1	35000-1537	BUSHING SPROCKET, FRONT
21	2	22152-0017	ROLLER CHAIN SPROCKET - 9T
22	1	21266-0009	SOCKET SET SCREW #10-24 X 5/16"
23	1	21276-0049	SOCKET SET SCREW #10-24 X 1/2"
24	1	21126-0001	NUT, HEX #10-24

ITEM	QTY.	P/N	DESCRIPTION
25	1	32219	CONVEYOR FRAME ASSY - RIGHT
26	1	31479	CONVEYOR FRAME WELDMENT - RIGHT
27	1	35200-0065	REAR CONVEYOR IDLER SHAFT
28	1	42400-0631	FRONT CONVEYOR IDLER SHAFT
29	1	21415-0001	FLAT WASHER - BRONZE
30	2	22034-0003	BUSHING 5/8" ID X 3/4" OD X 1/2" LONG
31	2	37000-0413	IDLER WELDMENT
32	2	35000-1008	CONVEYOR ADJUSTMENT BOLT
33	8	22229-0003	CONVEYOR SPROCKET WITH SCREW
34	8	21276-0039	SOCKET SET SCREW 1/4"-28 X 3/8"
35	1	31412	CONVEYOR INNER FRAME WELDMENT
36	4	35900-0169	CONVEYOR FRAME PIVOT PLATE
37	8	21176-0001	LOCK NUT HEX 1/4"-20
38	A/R	22450-0292	CONVEYOR CHAIN
39	2	42400-0598	MASTER LINK KIT (RIGHT, MIDDLE & LEFT LINKS)
43	1	42400-0477	MOTOR WITH PICKUP ASSEMBLY
44	1	27170-0263	PICKUP ASSEMBLY ONLY
45	2	27384-0008	REDUCTION GEAR MOTOR
--	2	22450-0052	BRUSHES - CONVEYOR DRIVE MOTOR
46	2	22152-0018	CHAIN SPROCKET - 15T w/1/4"-20 SET SCREW
47	1	35000-0632	CONVEYOR MOTOR MOUNTING BRACKET
48	8	21411-0003	FLAT WASHER 1/4"
49	8	21426-0002	LOCK WASHER 1/4"
50	1	21126-0009	HEX NUT 1/4"-20
51	1	42400-0163	ROLLER CHAIN ASSY - 52 LINKS
52	1	31000-0037	ROLLER CHAIN - 52 LINKS
53	1	22273-0001	MASTER LINK
54	1	42400-0160	ROLLER CHAIN ASSY - 30 LINKS
55	1	31000-0034	ROLLER CHAIN - 30 LINKS
56	1	22273-0001	MASTER LINK
57	1	37000-0427	CONVEYOR MOTOR MOUNTING WELDMENT
58	4	220373	HEX HEAD CAP SCREW 3/8"-16 x 1"

21

**P360WB70**  
**Europe**



## XI. UPPER OVEN STAND

<i>ITEM</i>	<i>QTY.</i>	<i>P/N</i>	<i>DESCRIPTION</i>
	1	UF360WB	UPPER OVEN STAND ASSEMBLY
1	1	31890	BOTTOM FRAME WELDMENT
2	4	21211-0034	HEX HEAD BOLT, 1/2"-13 X 3"
3	8	21421-0002	LOCKWASHER
4	1	31899	TOP FRAME WELDMENT
5	4	21251-0019	HEX SOCKET HEAD SCREW 1/2"-13 X 1"
6	4	37115-0209	CORNER POST WELDMENT
7	4	22450-0028	6" LEG WITH ADJUSTABLE 3/4" STUD
8	2	35122-0049	TIE PLATE ATTACHMENT STRIP (INCLUDED WITH INSTALLATION KIT)
9	2	32221	COVER PLATE - INSULATION
10	28	21292-0001	HEX WASHER HEAD SCREW, #10-16 X 3/4"

## **WARNING**

**Improper installation, adjustment, alteration, service or maintenance can cause property damage, injury or death. Read the installation, operating and maintenance instructions thoroughly before installing or servicing this equipment.**

### **NOTICE**

During the warranty period, ALL parts replacement and servicing should be performed by your Middleby Marshall Authorized Service Agent. Service that is performed by parties other than your Middleby Marshall Authorized Service Agent may void your warranty.

### **NOTICE**

Using any parts other than genuine Middleby Marshall factory manufactured parts relieves the manufacturer of all warranty and liability.

### **NOTICE**

Middleby Marshall reserves the right to change specifications at any time.

**P360WB70**  
**Europe**

Middleby Cooking Systems Group • 1400 Toastmaster Drive • Elgin, IL 60120 • USA • (847)741-3300 • FAX (847)741-4406

**24-Hour Service Hotline: 1-(800)-238-8444**

***www.middleby.com***

