

WALLOVEN

Repair Parts List

MODEL NUMBER
CWG3600AAB

When requesting service or ordering parts, always provide the following information:

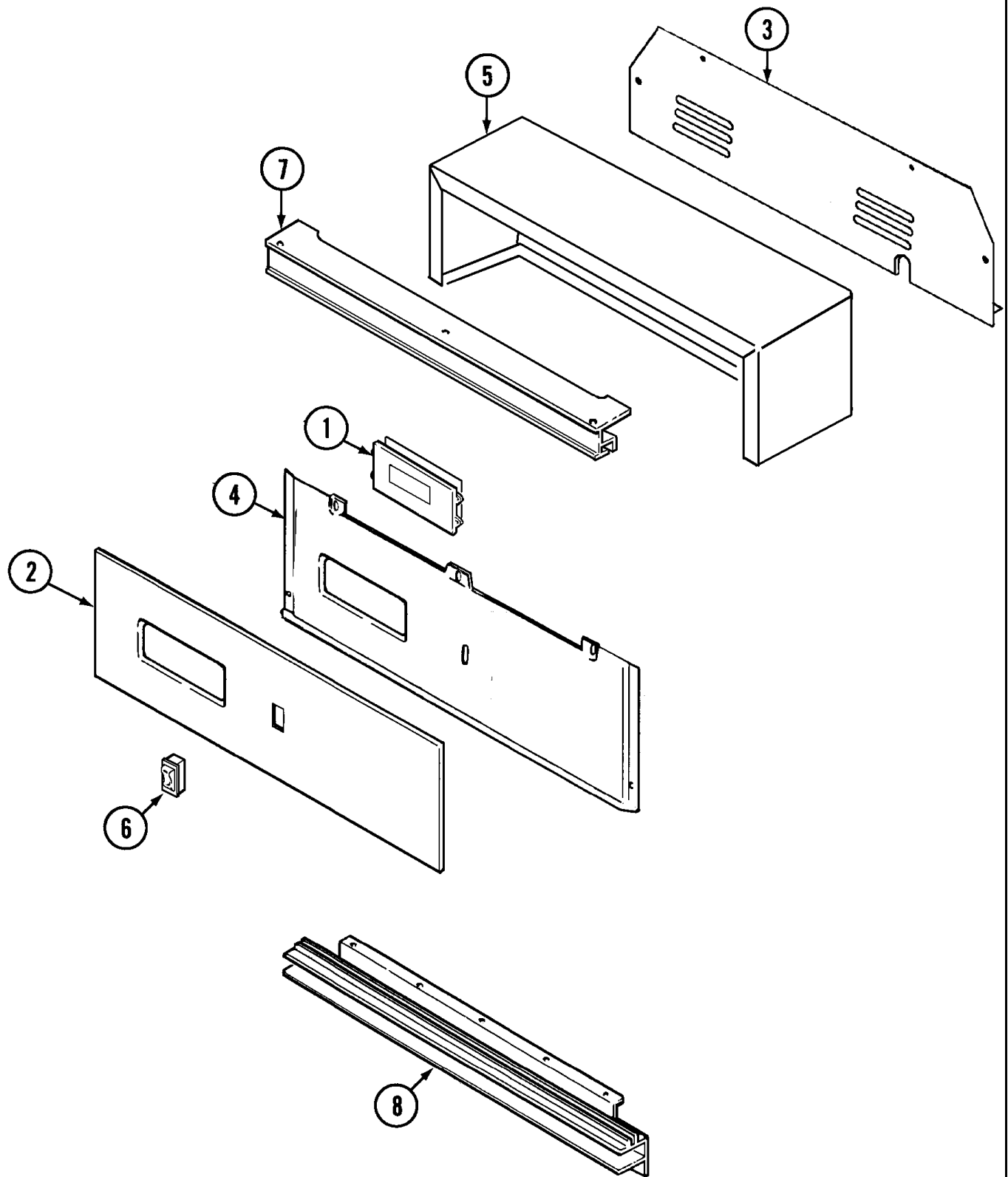
- Product Type
- Part Number
- Model Number
- Part Description

MAYTAG®

©2005 Maytag Services

Section: CONTROL PANEL

Model: CWG3600AAB



C10-291

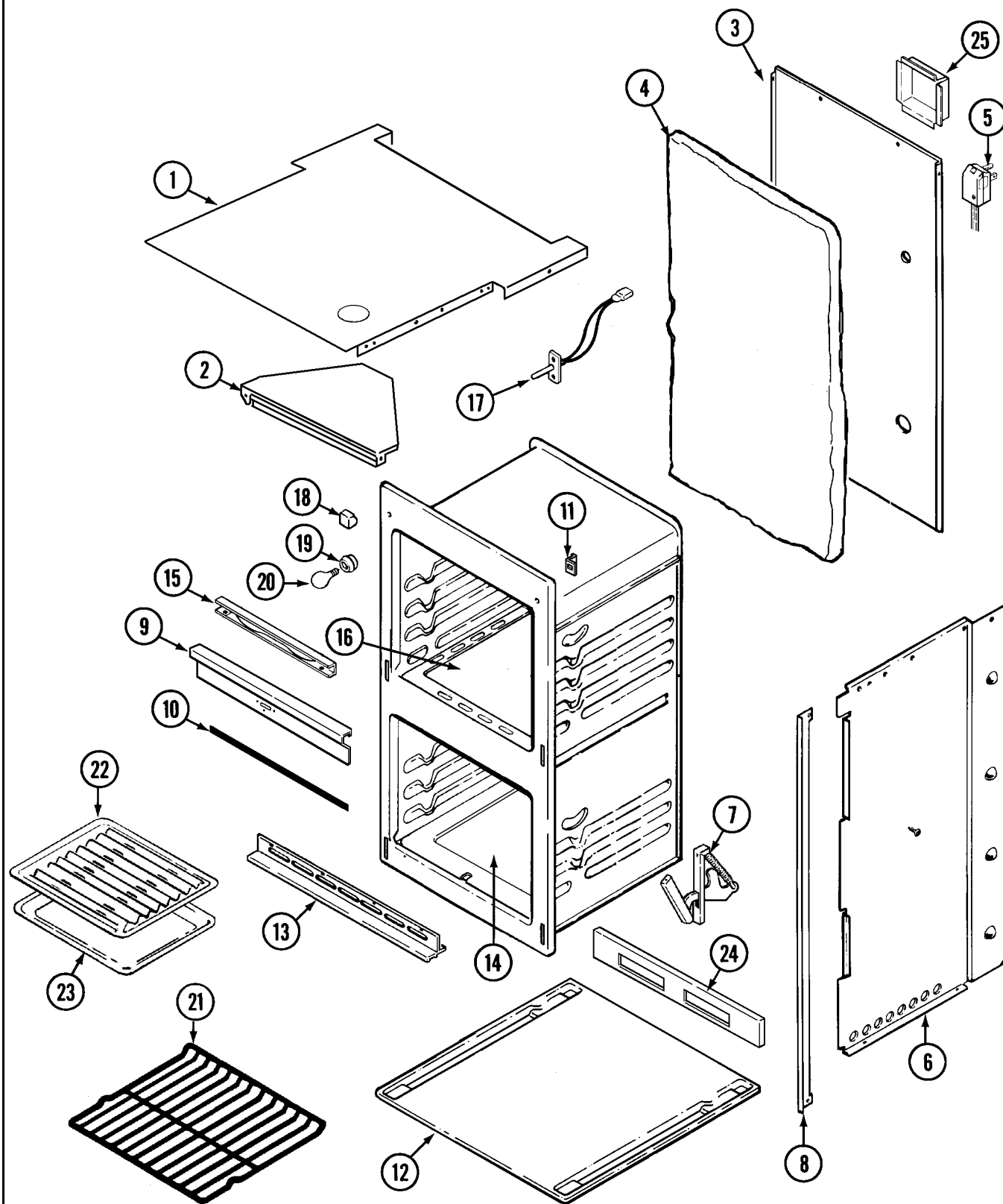
Section: CONTROL PANEL

No.	Part No.	Description	Series	Qty
1	74002007	CLOCK (BLK)	10	1
-	7101P077-60	SCREW (6ABX38-ZN) Note: SCREW, CLOCK	10	4
2	74001408	PANEL, CONTROL (BLK)	10	1
- N	7101P311-60	SCREW----NA Note: SCREW, PANEL	10	4
3	74001913	COVER, REAR WIRE	10	1
-	74001530	SCREW (8AB1/2-NI) Note: SCREW, WIRE COVER	10	4
4	3605F195-80	PLATE, BACKING Note: PLATE, SUPPORT	10	1
5 N	4005F153-51	COVER, WIRE	10	1
-	74001530	SCREW (8AB1/2-NI) Note: SCREW, COVER	10	4
6	7403P102-60	SWITCH, ROCKER (BLK)	10	1
7	74001854	EXTRUSION, TOP FRONT (BLK)	10	1
-	7101P040-60	SCREW (1/2") Note: SCREW, EXTRUSION (BLK)	10	3
8	74004047	EXTRUSION, VENT (BLK)	13	1
8	7756P072-60	EXTRUSION VENT Note: EXTRUSION, VENT (BLK)	10	1
-	7101P040-60	SCREW (1/2") Note: SCREW, EXTRUSION (BLK)	10	2
-	74002010	HARNESS, WIRE (SENSOR)	10	1
- N	74002014	HARNESS, WIRE (CNTRL PNL)	10	1
- N	74004683	HARNESS, CONTROL PANEL Note: HARNESS, WIRE (CNTRL PNL)	11	1
-	74002011	MANUAL, USE & CARE	10	1
-	8112P325-60	MANUAL, USE & CARE	24	1
- N	16000327	GUIDE, QUICK REF. - MAYTAG	10	1

*Color Code (-)=Not Shown #=Series, Serial Prefix or Run No., N=Not Available

Section: OVEN/BODY

Model: CWG3600AAB



C12-145

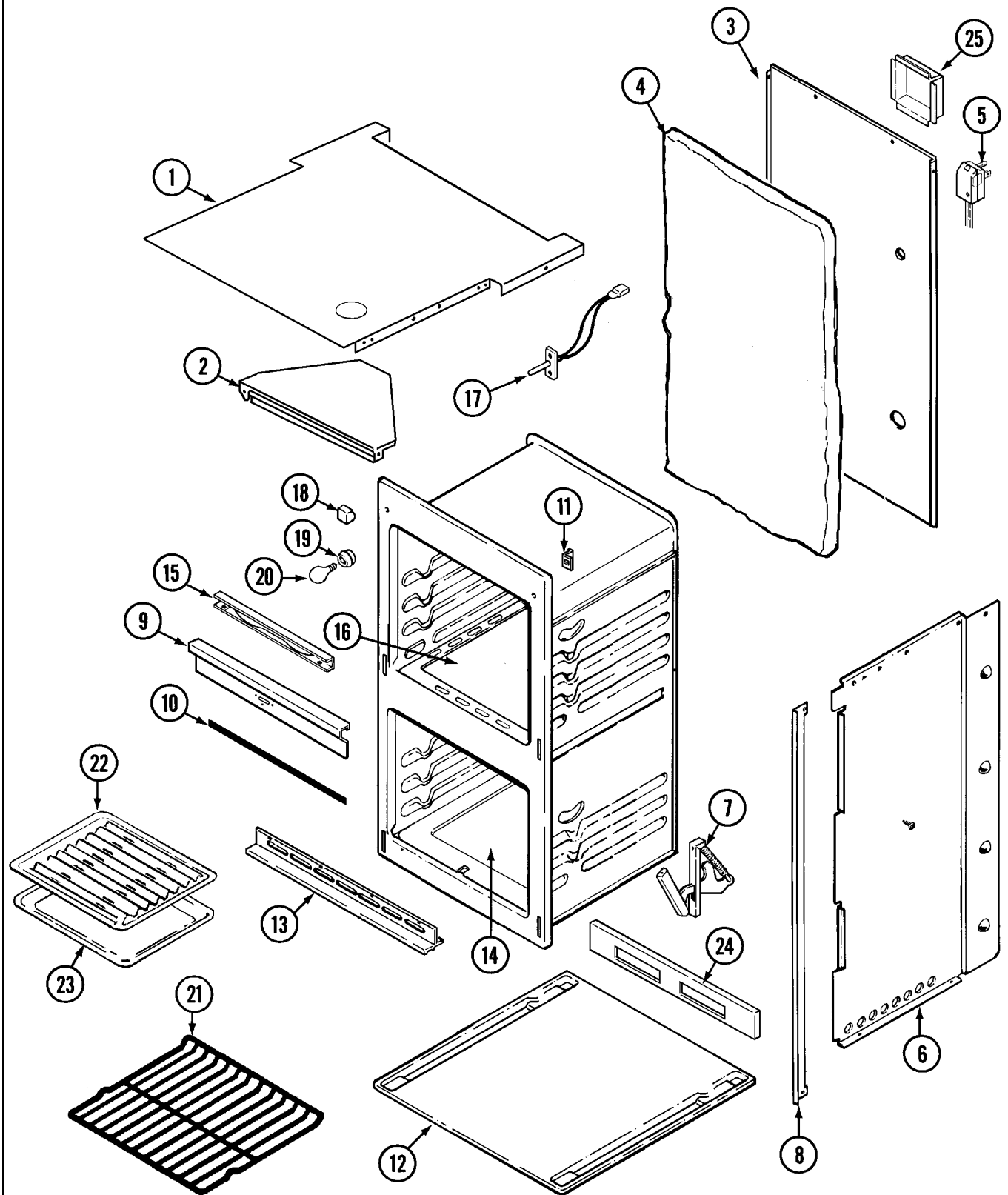
Section: OVEN/BODY

No.	Part No.	Description	Series	Qty
-	7401P037-60	BLOCK, TERMINAL Note: BOARD, TERMINAL	10	1
1	4005F152-51	COVER BOX WALL OVEN Note: COVER, BOX	10	1
-	7101P356-60	SCREW Note: SCREW, COVER	10	3
-	8008P004-60	GROMMET	10	2
2	4006W077-19	BOX, FLUE ASSY Note: BOX, FLUE	10	1
-	7101P287-60	SCREW, METAL GROUNDING Note: SCREW, FLUE BOX	10	4
3	74001988	BACK, MAIN	10	1
-	74001530	SCREW (8AB1/2-NI) Note: SCREW, BACK	10	5
-	74001883	INSULATION, WRAPPER	10	1
4	74001850	INSULATION, WRAPPER Note: INSULATION, TOP & BACK	10	1
5 N	74002963	CORD, POWER	11	1
5 N	74001926	CORD, POWER	10	1
-	7101P356-60	SCREW Note: SCREW, PANEL	10	16
6	2618F115-51	PANEL, SIDE (RT)	10	1
6	2618F116-51	PANEL, SIDE (LT) Note: (LT)	10	1
7	74001882	HINGE, DOOR Note: (LWR)	10	2
7	74001856	HINGE ASSY. Note: HINGE, DOOR (UPR)	10	2
-	7101P115-60	SCREW Note: SCREW, HINGE ASSY.	10	8
7	74004059	HINGE, DOOR Note: HINGE, DOOR (UPR)	15	2
8	74001903	TRIM, SIDE (LT-BLK) Note: (LT-BLK)	10	1
8	74001902	TRIM, SIDE (RT-BLK) Note: EXTRUSION, SIDE (RT-BLK)	10	1
-	7103P039-60	NUT, SNAP (ROUND-WHT) Note: NUT, SNAP (1/16" X 1/2")	10	2
-	7101P040-60	SCREW (1/2") Note: SCREW, EXTRUSION (BLK)	10	2
-	7101P041-60	SCREW (ZINC) Note: (ZINC)	10	10
-	7101P058-60	SCREW Note: SCREW, BAFFLE	10	2
9	3601F109-45	BAFFLE Note: BAFFLE, OVEN FRONT	10	1
-	7103P100-60	NUT, TINNERMAN Note: NUT	10	2
10	7212P014-60	SEAL, DOOR (TOP) Note: SEAL, OVEN	10	1
11	7112P020-60	CLIP, OVEN FRONT	10	2
-	7101P356-60	SCREW Note: SCREW, CLIP	10	2
-	74001530	SCREW (8AB1/2-NI) Note: SCREW, BASE	10	2
12	74001925	BASE, MAIN	10	1
-	7101P060-60	SCREW (10ABX1.0-ZN) Note: SCREW, BASE	10	4
13	74001846	EXTRUSION, BOTTOM (BLK)	10	1
-	7101P040-60	SCREW (1/2") Note: SCREW, EXTRUSION (BLK)	10	4
14	2205F005-19	BOTTOM, OVEN Note: BOTTOM, OVEN (LWR)	10	1
-	7101P287-60	SCREW, METAL GROUNDING Note: SCREW, SUPPORT (UPR)	10	2
15 N	5720A011-23	SUPPORT, OVEN BOTTOM Note: SUPPORT, OVEN BOTTOM (UPR)	10	1
-	7101P058-60	SCREW Note: SCREW, SUPPORT (LWR)	10	2
-	3807F029-80	SUPPORT Note: (LWR)	10	1
16	74004661	BOTTOM, UPPER OVEN Note: BOTTOM, OVEN (UPR)	17	1
16	2205F008-19	BOTTOM, OVEN Note: BOTTOM, OVEN (UPR)	10	1
17	7430P009-60	PROBE, OVEN SENSOR	10	1
-	74001530	SCREW (8AB1/2-NI) Note: SCREW, SENSOR	10	2
18	8003P009-60	BUMPER, DOOR (SQUARE) Note: BUMPER, DOOR	10	2
19	7408P035-60	RECEPTACLE, OVEN BULB Note: RECEPTACLE, LIGHT	10	2
20	7407P103-60	BULB, OVEN	10	2
21	7801P034-60	OVEN RACK Note: RACK, OVEN	10	1
21	7801P005-60	RACK Note: RACK, OVEN	10	2
22	Y3413F01619	INSERT, BROIL PAN	10	1
23	Y3401F02019	PAN, BROIL	10	1
-	7101P356-60	SCREW Note: SCREW, SUPPORT	10	2
24 N	3807F139-80	SUPPORT Note: SUPPORT, OVEN	10	1
25	4005F088-80	COVER Note: COVER, ACCESS	10	2
-	7101P356-60	SCREW Note: SCREW, COVER	10	4
- N	7111P007-60	CLAMP, WIRE	10	1

*Color Code (-)=Not Shown #=Series, Serial Prefix or Run No., N=Not Available

Section: OVEN/BODY

Model: CWG3600AAB



C12-145

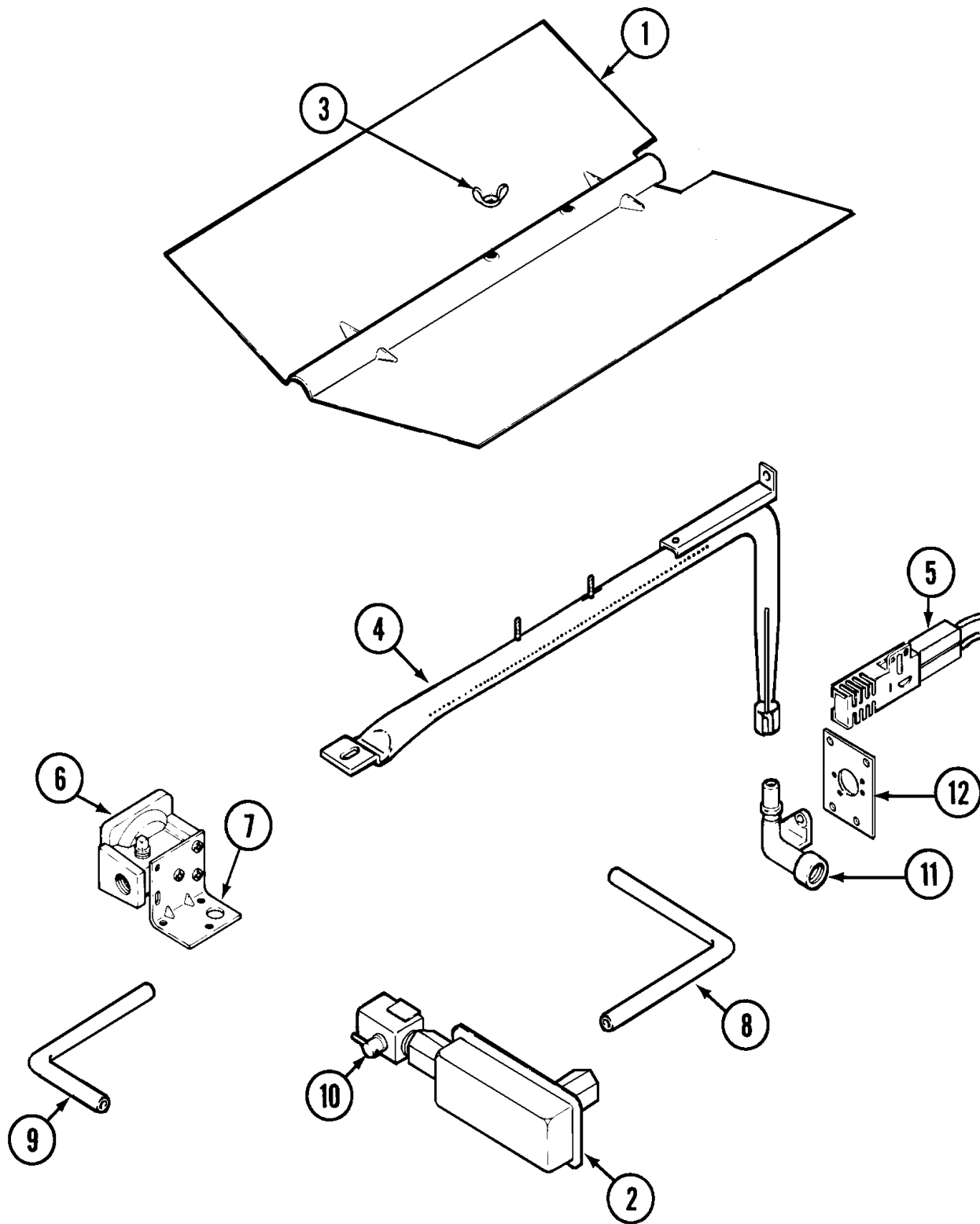
Section: OVEN/BODY

No.	Part No.	Description	Series	Qty
-	7101P287-60	SCREW, METAL GROUNDING Note: SCREW, COVER	10	1
-	7103P040-60	NUT, SNAP (WHT) Note: NUT, SNAP (3/8" X 1/2")	10	2
- N	7103P051-60	NUT, SNAP Note: NUT, SNAP (3/8")	10	4
- N	4005F011-35	COVER, CAP HOLE Note: COVER, CAPILLARY HOLE	10	1
-	74001530	SCREW (8AB1/2-NI) Note: SCREW, CAPILLARY COVER	10	1

*Color Code (-)=Not Shown #=Series, Serial Prefix or Run No., N=Not Available

Section: GAS CONTROLS

Model: CWG3600AAB



C13-152

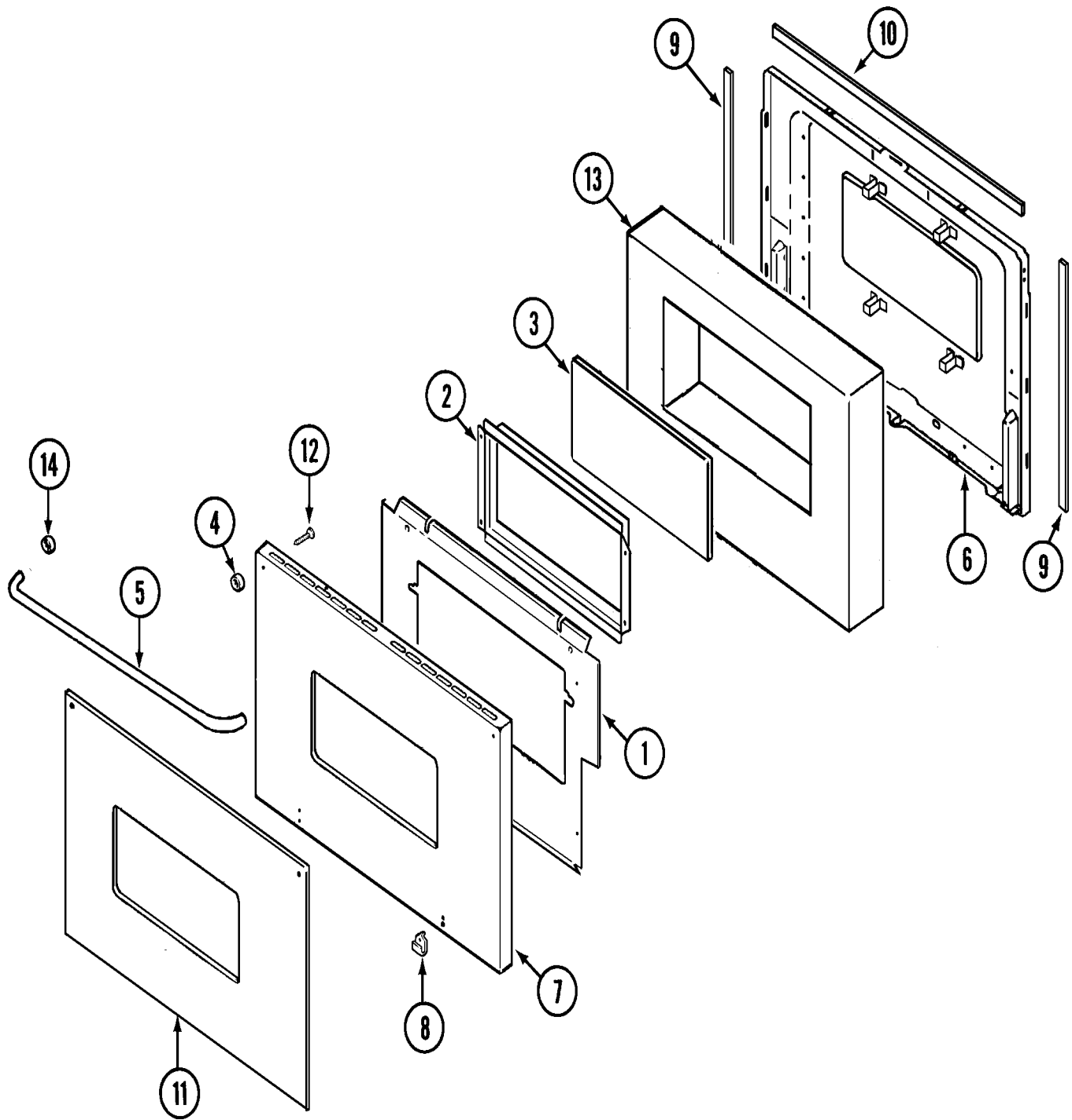
Section: GAS CONTROLS

No.	Part No.	Description	Series	Qty
1	N 3601F215-45	BAFFLE, OVEN BURNER	10	1
-	Y7101P07160	SCREW Note: SCREW, VALVE	10	1
-	W10124350	NOT REQUIRED PART OR SEE NOTE Note: 7101P071-60 NOT REQUIRED @ 21	21	1
2	7501P018-60	VALVE, BAKE Note: VALVE, OVEN (W/LOXIT)	10	1
-	1555251	NUT, LOXIT (3/8") Note: NUT, LOXIT (3/8")	10	1
-	7103P034-60	NUT Note: NUT, WING	10	2
2	74006349	VALVE, OVEN	19	1
2	74007019	VALVE, OVEN	21	1
-	74004310	SCREW, PANEL Note: SCREW, VALVE	21	1
-	7101P072-60	SCREW Note: SCREW, VALVE	10	1
3	7103P030-60	NUT, WING	10	1
4	3403D030-45	BURNER ASSY., OVEN Note: BURNER, OVEN	10	1
-	74001530	SCREW (8AB1/2-NI) Note: SCREW, BURNER	10	1
-	7101P328-60	SCREW Note: SCREW, WIRE COVER	10	2
-	7101P356-60	SCREW Note: SCREW, WIRE COVER	10	1
-	4005F421-45	COVER, IGNITER Note: COVER, IGNITER WIRE	10	1
5	7432P076-60	IGNITER, OVEN Note: IGNITER	10	1
6	74005560	REGULATOR, PRESSURE	18	1
-	1555251	NUT, LOXIT (3/8") Note: NUT, LOXIT (3/8")	10	1
6	7510P036-60	REGULATOR PRESSURE Note: REGULATOR, PRESSURE (W/LOXIT)	10	1
-	7101P074-60	SCREW Note: SCREW, NUT	10	2
7	74001932	SUPPORT, REGULATOR	10	1
-	7101P287-60	SCREW, METAL GROUNDING Note: SCREW, SUPPORT	10	3
8	74006350	TUBING, OVEN VALVE	19	1
8	N 3414F039-44	TUBING, 3/8 X 31 Note: TUBING, VALVE/FITTING	10	1
9	3414F097-44	TUBING, REGULATOR (3/8") Note: TUBING, REGULATOR/VALVE	10	1
10	7502P002-60	VALVE, SHUT OFF	10	1
10	74006866	VALVE, SHUT OFF	20	1
10	74005561	VALVE, SHUT OFF	18	1
11	7507P008-60	FITTING, BAKE BNR.----N Note: FITTING, BURNER	10	1
-	7101P287-60	SCREW, METAL GROUNDING Note: SCREW, FITTING	10	2
11	74006351	FITTING, BURNER Note: FITTING, VALVE	19	1
12	3807F122-34	SUPPORT Note: SUPPORT, FITTING	10	1
-	7101P287-60	SCREW, METAL GROUNDING Note: SCREW, SUPPORT	10	4
-	N 7111P007-60	CLAMP, WIRE	10	1
-	7101P287-60	SCREW, METAL GROUNDING Note: SCREW, CLAMP	10	1
-	N 8019P004-60	STRAP, WIRE TIE	10	2

*Color Code (-)=Not Shown #=Series, Serial Prefix or Run No., N=Not Available

Section: DOOR (UPPER & LOWER)

Model: CWG3600AAB



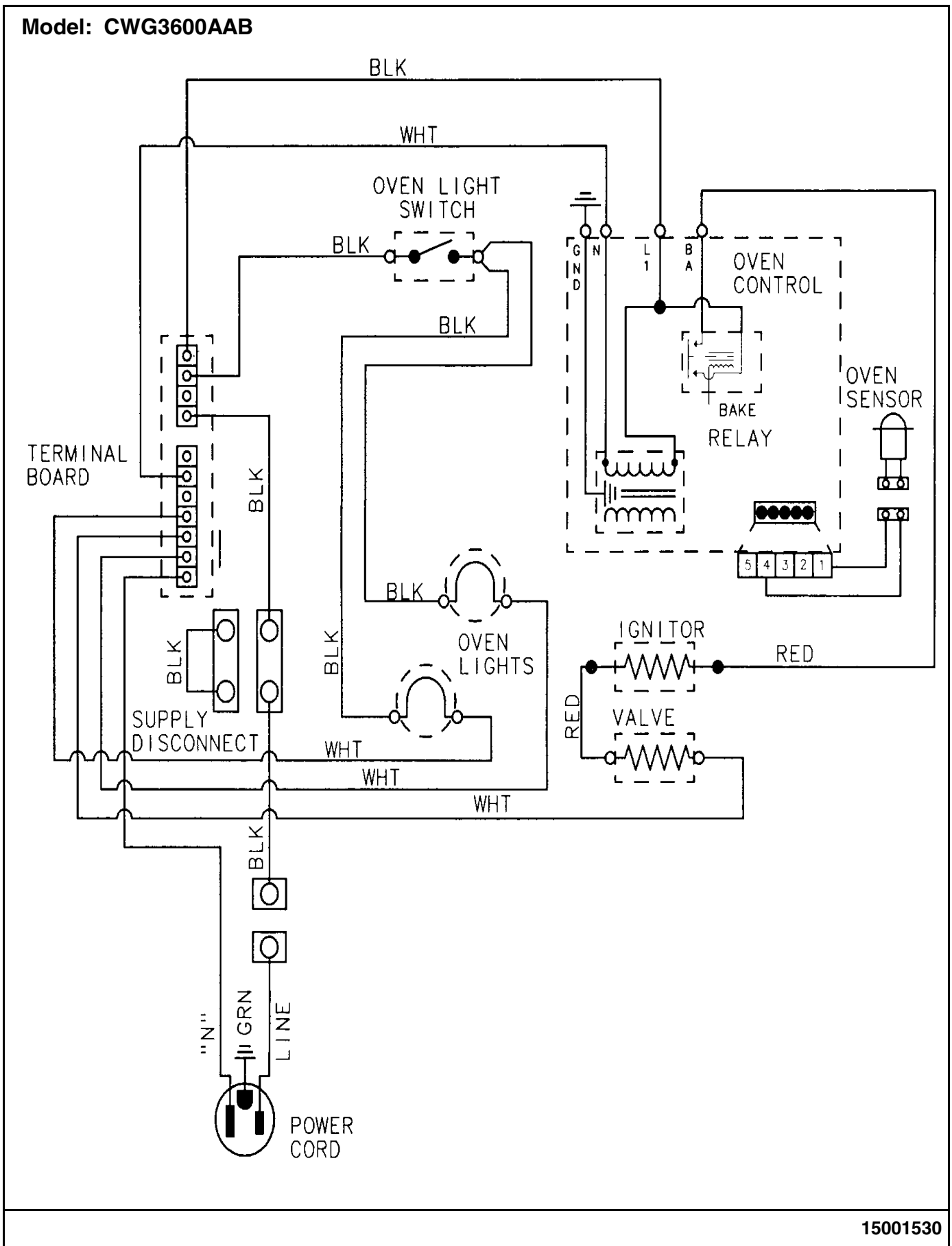
Section: DOOR (UPPER & LOWER)

No.	Part No.	Description	Series	Qty
1	3601F102-51	BAFFLE, UPPER DOOR Note: BAFFLE, DOOR (UPR)	10	1
-	7101P356-60	SCREW Note: SCREW, BAFFLE (5EA UPR/LWR)	10	10
1	3601F103-51	BAFFLE, DOOR Note: (LWR)	10	1
2	N 3603F013-80	FRAME, WINDOW----NA Note: FRAME, WINDOW (2EA UPR/LWR)	10	4
3	7902P386-60	GLASS, INNER Note: GLASS, INNER (UPR/LWR)	10	2
4	8010P016-60	SPACER, GLASS Note: SPACER, GLASS (2EA UPR/LWR)	10	4
5	7701P136-60	HANDLE, OVEN Note: HANDLE, DOOR (UPR/LWR-BLK)	10	2
6	74001851	LINING, DOOR Note: LINING, DOOR (UPR)	10	1
6	74001905	LINING, DOOR Note: (LWR)	10	1
-	7101P276-60	SCREW (BLK) Note: SCREW, PANEL(BLK)(4EA UPR/LWR)	10	8
7	2401F104-70	PANEL, DOOR (BLK) Note: PANEL, DOOR (LWR-BLK)	10	1
7	74001862	PANEL, DOOR (BLK) Note: (UPR-BLK)	10	1
8	7112P093-60	CLIP, GLASS (BLK) Note: CLIP, GLASS RETAINER (BLK) (2EA UPR/LWR)	10	4
-	7101P040-60	SCREW (1/2") Note: SCREW (BLK) (2EA UPR/LWR)	10	4
9	7212P007-60	SEAL, DOOR (VERTICAL) Note: (LWR)	10	2
9	7212P003-60	SEAL, OVEN DOOR Note: SEAL, DOOR (UPR)	10	2
10	7212P006-60	SEAL, DOOR (HORIZONTAL) Note: SEAL, DOOR (1EA UPR/LWR)	10	2
11	7902P335-60	GLASS, OUTER (BLK) Note: GLASS, DOOR (LWR-BLK)	10	1
11	7902P357-60	GLASS, DOOR (BLK) Note: (UPR-BLK)	10	1
12	7101P326-60	SCREW Note: SCREW, HANDLE (2EA UPR/LWR)	10	4
13	7002P019-60	INSULATION, DOOR LOWER Note: (LWR)	10	1
13	7002P015-60	INSULATION, DOOR Note: INSULATION, DOOR (UPR)	10	1
14	8010P090-60	SPACER, HANDLE (BLK) Note: SPACER, HANDLE (BLK) (2EA UPR/LWR)	10	4

*Color Code (-)=Not Shown #=Series, Serial Prefix or Run No., N=Not Available

Section: WIRING INFORMATION

Model: CWG3600AAB



15001530

