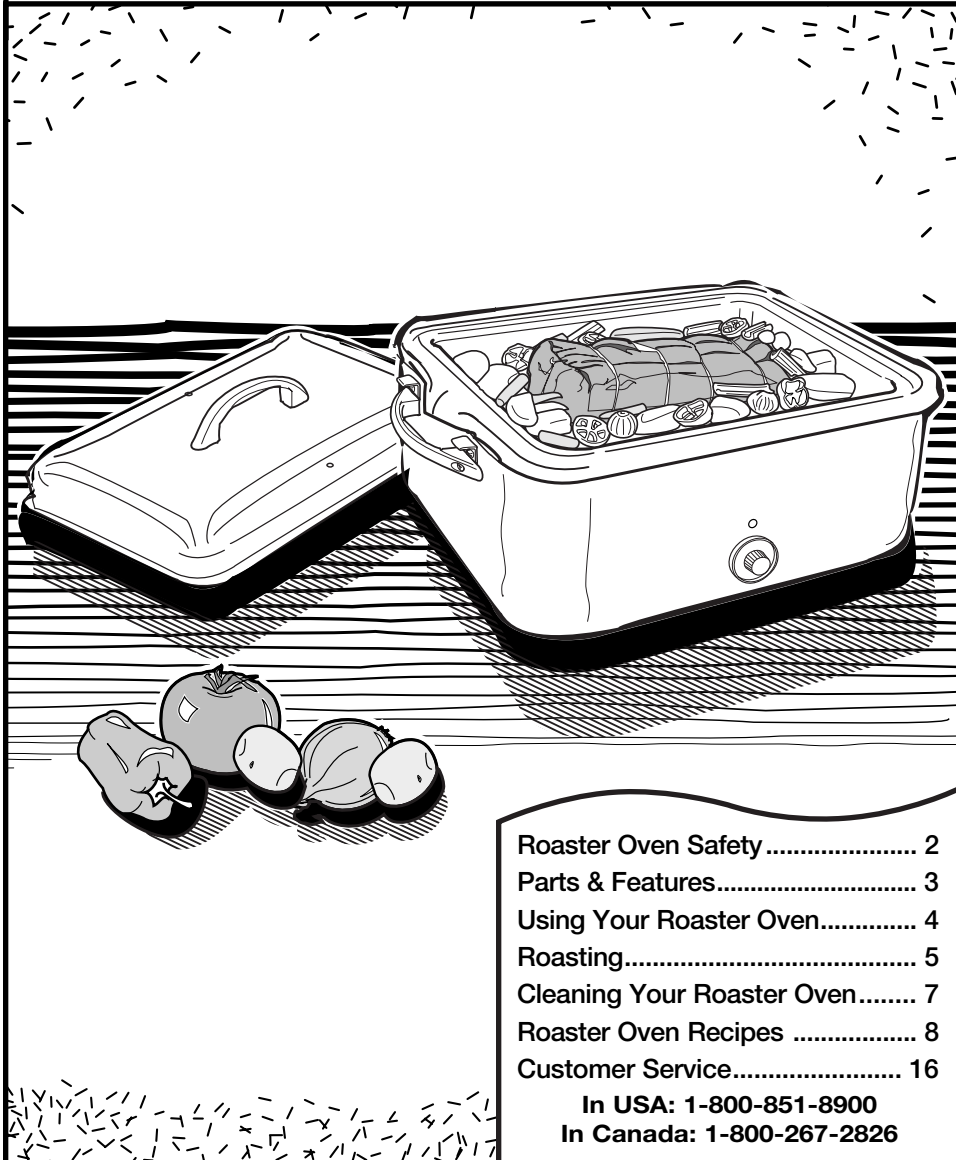


# Hamilton Beach®

## *Roaster Oven*



Roaster Oven Safety .....	2
Parts & Features.....	3
Using Your Roaster Oven.....	4
Roasting.....	5
Cleaning Your Roaster Oven.....	7
Roaster Oven Recipes .....	8
Customer Service.....	16

**In USA: 1-800-851-8900**  
**In Canada: 1-800-267-2826**

840104300

# *Roaster Oven Safety*

## IMPORTANT SAFEGUARDS

When using electrical appliances, basic safety precautions should always be followed, including the following:

1. Read all instructions.
2. Do not touch hot surfaces. Use handles or knobs.
3. Use oven mitts to remove the insert pan from the roaster oven; or to remove a baking pan or cooked food from the insert pan.
4. To protect against electrical shock do not immerse roaster base, cord, or plug in water or other liquid.
5. Close supervision is necessary when any appliance is used by or near children.
6. Unplug from outlet when not in use and before cleaning. Allow to cool before putting on or taking off parts and before cleaning.
7. Do not operate any appliance with a damaged cord or plug, or after the appliance malfunctions or has been dropped or damaged in any manner. Call our toll-free customer service number for information on examination, electrical repair, mechanical repair, or adjustment.
8. The use of accessory attachments not recommended by the appliance manufacturer may cause injuries.
9. Do not use outdoors.
10. Do not let cord hang over edge of table or counter, or touch hot surfaces, including the stove.
11. To disconnect, turn any control to "Off" then remove plug from wall outlet.
12. Do not place on or near a hot gas or electric burner, or in a heated oven.
13. Extreme caution must be used when moving an appliance containing hot oil or other hot liquids.
14. **CAUTION:** Steam escaping from under cover is hot and can burn.
15. Do not use without the insert pan specifically designed for this model.
16. Do not use appliance to melt wax or any other non-food use.
17. Do not allow flammable materials such as curtains, draperies, walls, cabinets, backsplashes and the like to touch any part of the roaster oven while it is in operation.
18. **Do not use appliance for other than intended use.**

## SAVE THESE INSTRUCTIONS!

## Consumer Safety Information

**This roaster oven is not intended for commercial, professional, or industrial-type usage. This roaster oven is designed only for cooking food. It should not be used for melting wax. This appliance is designed, built, and intended for household use only.**

This appliance is equipped with a polarized plug. This type of plug has one blade wider than the other. The plug will fit into an electrical outlet only one way. This is a safety feature intended to help reduce the risk of electrical shock. If you are unable to insert the plug into the outlet, try reversing the plug. If the plug should still fail to fit, contact a qualified electrician to replace the obsolete outlet. Do not attempt to defeat the safety purpose of the polarized plug by modifying the plug in any way.

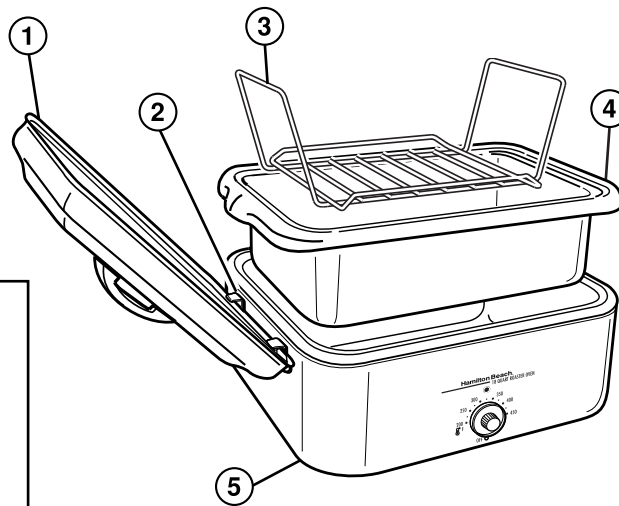
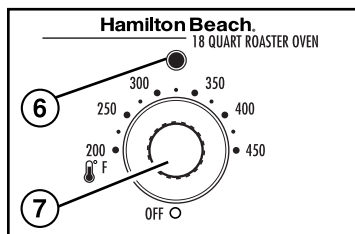
The length of the cord used on this appliance was selected to reduce the hazards of becoming tangled in, or tripping over a longer cord. If a longer cord is necessary an approved extension cord may be used.

The electrical rating of the extension cord must be equal to or greater than the rating of the roaster oven. Care must be taken to arrange the extension cord so that it will not drape over the countertop or tabletop where it can be pulled on by children or accidentally tripped over.

PLEASE READ THIS BOOK!  
THE ROASTER OVEN COOKS  
SOME FOODS FASTER THAN A  
CONVENTIONAL OVEN.

## Parts & Features

1. Cover
2. Cover Holders
3. Rack
4. 18 Quart Removable Insert Pan
5. Base
6. Indicator Light
7. Temperature Control



# Using Your Roaster Oven

**BEFORE FIRST USE:** Wash the insert pan, rack, and cover before using. During the first use of the roaster oven, some smoke and odor may be noticed. The smoke and odor should not occur after this first heating of the oven.

## Tips About Your Roaster Oven

- The insert pan must always be used when cooking in the roaster oven. If cooking large quantities of soups or stews, the insert pan may be used as the cooking pan in the roaster base. It may also be used as a large roasting pan in the roaster base.
- Do not use the insert pan as a baking pan or casserole dish for cakes, breads, or casseroles. A separate pan must be placed in the insert pan when cooking these foods.
- Most heat-resistant glass casserole dishes fit in the roasting oven. Place in insert pan before filling dish to make sure it fits.
- Baking pans and casserole dishes should be placed on the rack for best heat circulation. If necessary, the rack can be removed to fit a large roasting pan or two casseroles in the roaster oven.
- Before baking or roasting in the roaster oven, make sure the pan or dish you plan to use will fit by placing it in the insert pan.
- Foil oven roasting bags can be used in the roaster oven. We do not recommend using plastic oven roasting bags in the roaster oven.
- Do not remove the cover of the roaster oven unless necessary. Removing the cover allows heat to escape and affects the temperature of the roaster oven.
- The indicator light will cycle on and off when the oven is heating to maintain set temperature.

### *Pan Sizes!*

**Following are pan sizes which will fit in the roaster oven:**

- One 9 x 13-inch baking or 10 x 14-inch roasting pan
- Two 9 x 5-inch or 8 x 4-inch loaf pans
- One tube or bundt pan

## How to Use

### *Notes!*

- The insert pan should always be placed in the roaster base when cooking.
- If the recipe calls for a preheated oven, set the temperature control to desired temperature. The red indicator light will go out when the oven has reached the set temperature.

1. Make sure temperature control is turned to OFF. Plug cord into 120 volt AC outlet.
2. Remove rack. Leave insert pan in roaster oven.
3. Set temperature control to desired setting and let preheat 15 minutes.
4. Place food to be cooked in a pan on the rack (or directly in the insert pan). Then place rack in oven and replace the cover.
5. When finished cooking, remove cover. Wearing oven mitts, remove food by using the rack.
6. Turn temperature control to OFF and unplug roaster oven.

## *Roasting*

### Roasting Meats and Poultry

- We recommend the use of a meat thermometer to assure perfectly cooked roasts and poultry every time. If using a meat thermometer, the meat or poultry should be removed from the roaster oven when the thermometer reading is 5 to 10 degrees below the desired temperature. The internal temperature will continue to rise after the meat has been removed from the roaster oven.
- Most hams sold today are labeled as "Cook Before Eating" or "Fully Cooked." Ham labeled "Cook Before Eating" has been smoked or cured but NOT cooked. This ham must be thoroughly cooked to an internal temperature of 155 to 160°F. The "Fully Cooked" hams have been smoked or cured and already cooked. The ham does not require further cooking, but heating to 140°F improves the flavor.
- The roaster oven cooks turkeys in less time than conventional ovens. A 14 to 18 pound unstuffed turkey will cook in approximately 2½ hours. A turkey cooked in the roaster oven is moist and juicy, but does not brown. If you want a turkey with browned skin, please use the Turkey Browning Sauce in the "Recipe" section.
- The Roasting Chart lists cooking times for tender cuts of meat that are usually dry-roasted. These roasts are from the rib or sirloin area. To tenderize cuts from the leg (ham) or shoulder/chuck area, cook in liquid for a longer period of time.
- Times indicated are approximate and should be used only as a general guideline. Individual cuts of meat and personal preference may dictate longer or shorter roasting times.

## Roasting Chart

FOOD	WT.	MEAT THERMOMETER TEMPERATURE	COOKING TIME (at 325°F)
<b>Whole Turkey</b>	14-18 lbs.	180°F	2 to 3 hours
<b>Turkey Breast</b>	5-7 lbs.	180°F	1½ hours
<b>Roasting Chicken</b>	6-8 lbs.	180°F	1½ hours
<b>Beef Roast</b>	5-7 lbs.	160°F (medium)	2½ hours
<b>Fresh Pork Roast</b>	5-7 lbs.	160°F (medium)	2 hours
<b>Picnic Shoulder Ham (Fully Cooked)</b>	7-10 lbs.	140°F	2 to 3 hours
<b>Whole Ham (Fully Cooked)</b>	15-18 lbs.	140°F	2 to 3 hours

## Baking

The roaster oven can bake your favorite cakes, pies, breads, or casseroles like a conventional oven. Pans and dishes should be placed on the rack for best heat circulation. Using the rack is also recommended for convenience in removing hot dishes and pans from the roaster oven.

Do not remove the cover of the roaster oven unless necessary. Removing the cover allows heat to escape and effects the temperature of the roaster oven.

## Steaming

Preheat roaster over to 450°F. To steam in the roaster oven, you will need a stainless steel colander. Place rack in the insert pan. Place insert pan in roaster oven. Pour 1 quart boiling

water into the insert pan. Place food to be steamed in the colander and place colander in insert pan. Cover and steam according to the following times or until desired doneness.

ITEM TO STEAM	AMOUNT OF TIME
2 cauliflower heads, cut up	10 minutes
2 bunches of broccoli, cut up	10 minutes
2 pounds shrimp	10 minutes

## Warming Rolls, Biscuits, etc.

Preheat roaster over to 250°F. You will need two small ovenproof containers to hold water. Emptied and washed food cans are perfect. Fill the cans two-thirds full with hot water and place

in opposite corners of the insert pan. Stack rolls, biscuits, or pancakes in insert pan. Do not let them touch sides of pan. Cover and keep warm up to one hour.

## Quantity Cooking

The insert pan may be used as a large cooking utensil when cooking or heating large quantities, about 4 gallons. It may be used to simmer sauces, soups, or stews, or simply to heat or warm large quantities. When cooking or heating soups or stews in the roaster oven, stir occasionally for quicker, even heating.

For example, set the temperature control at 400°F and the roaster oven will warm vegetable beef soup from refrigerated temperature to serving temperature in about two hours. To cook soups, stews, or sauces, set the temperature control on 225°F and allow 4 to 8 hours to simmer, depending on recipe.

## *Cleaning Your Roaster Oven*

1. Turn temperature control to OFF. Unplug roaster oven from outlet and let cool.
2. Wash cover, rack, and insert pan in hot, soapy water. To remove burned-on food, let soak, then scrub with a nylon scouring pad. Rinse in hot water, then dry.

3. Wipe the inside of the roaster base with a damp cloth.
4. Wipe the outside of the roaster oven with a damp, soapy cloth; then dry.

**NOTE:** Never immerse roaster base in water or other liquid.

# *Roaster Oven Recipes*

Unless otherwise instructed, preheat roaster oven for 15 minutes to the temperature stated in the recipe.

If recipe calls for the use of a baking pan or dish, take the rack out of the oven. Preheat oven to desired temperature. Then place pan on the rack and then place both into the roaster oven. Bake as instructed in the recipe. The rack makes it easier to place or remove pans or dishes in the hot roaster oven.

## *Appetizers*

### **Party Meatballs**

5-pound bag pre-cooked frozen meatballs	12-ounce jar currant jelly
12-ounce jar grape jelly	12-ounce bottle chili sauce
	12-ounce bottle cocktail sauce

Let meatballs thaw overnight in refrigerator. Place meatballs in insert pan. In a large mixing bowl beat together jellies and sauces. Pour over meatballs. Bake at 250°F for 2 hours or until heated through.

### **Baked Crab and Brie Dip**

1 tablespoon vegetable oil	1 cup milk
1 tablespoon minced garlic	1 pound crabmeat
4 green onions, finely chopped (include half of green top)	10 ounces frozen, chopped spinach, thawed and squeezed dry
8 ounces Brie	6-ounce jar marinated artichoke hearts, drained and chopped
8 ounces cream cheese, room temperature	1 tablespoon prepared mustard

In a large skillet over medium heat, sauté the garlic and onion, until the onion is limp. Remove any rind from the Brie and cut into ½ inch pieces. Add to the skillet. Cut cream cheese into cubes and add to the skillet with the milk. Cook and stir just until cheeses melt. Remove from heat and dump into mixing bowl. Pick through crab to remove any pieces of shell. Add spinach, artichoke hearts, crab and mustard. Stir gently to mix then spoon into a greased shallow 2-quart baking dish or casserole. Place in roaster oven and bake at 425°F for 15 to 20 minutes or until lightly browned. Serve with crackers or toasted slices of French bread.

**Makes 8 hors d'oeuvre servings.**



## *Main Dish/Entrees*

### **Quick Roast Turkey**

---

The roaster oven cooks a turkey in about half the time of a regular oven, but use a meat thermometer to make sure your turkey is thoroughly cooked. The roaster oven DOES NOT brown a turkey. The constant dripping of condensation from the cover of the roaster prevents the turkey from browning but also produces a turkey that is moist and juicy.

14 to 18 pound fresh or thawed turkey	1 teaspoon salt
1 onion, cut in half	½ teaspoon pepper
2 stalks celery	¼ cup butter, melted

Remove the rack. Pour ½ cup water into the insert pan, cover and preheat to 325°F. Remove giblets and neck from cavities of turkey. Set aside and use for giblet gravy. Rinse bird inside and out with cold water. Place onion and celery inside turkey. Rub outside with salt and pepper. Place on rack. Brush whole turkey with butter. Place in roaster. Cover and cook at 325°F for 2 to 2½ hours. Check meat thermometer reading. Continue cooking until meat thermometer registers 180°F.

### **Turkey Browning Sauce**

---

For turkey with a brown skin, use the following recipe before cooking:

¼ cup melted butter or margarine
1½ teaspoons browning sauce, like Kitchen Bouquet
1 teaspoon paprika

Wash turkey with cold water. Pat dry. Paint turkey with the browning mixture and cook as directed.

### **Whole Baked Ham**

---

15 pound fully-cooked smoked ham	½ cup orange juice
2 cups water	1 cup brown sugar
½ cup honey	

Trim thick part of fat off of ham, down to ¼-inch. Score remaining layer of fat into diamond design; this will help hold glaze. Place ham on rack and place in roaster. Pour 2 cups water into insert pan. Cover and roast at 325°F for 1 hour. Combine remaining ingredients to make glaze. Remove cover and spoon half of glaze over ham. Cover and bake 1 more hour. Remove cover and spoon remaining glaze over ham. Replace cover, increase temperature to 400°F and bake for 10 minutes to set glaze.

## North Carolina Pork Barbeque

---

10 to 12 pounds Boston blade pork roasts	½ cup water
2 28-ounce cans whole tomatoes	1 tablespoon black pepper
1½ cups vinegar	2 tablespoons salt
½ cup Worcestershire sauce	3 tablespoons sugar
	1 to 2 tablespoons crushed red peppers

Place pork in insert pan. In a large mixing bowl, combine remaining ingredients. Stir to mix and break up whole tomatoes. Pour tomato/vinegar mixture over pork. Cover and roast at 250°F. Cook for 5 hours or until meat falls away from bone. Remove meat and slice or mince. Puree remaining sauce that pork was cooked with. Serve on buns with sauce and coleslaw. **Makes 24 servings.**

## Chili

---

2 tablespoons oil	4 tablespoons canned, sliced jalapeno peppers (about half of 4-ounce can)
2 pounds beef chuck, cut into small pieces	1 tablespoon minced garlic
1 pound hot Italian sausage, removed from casings	4 tablespoons chili powder
1 pound sweet Italian sausage, removed from casings	2 tablespoons ground cumin
2 large onions, chopped	1 teaspoon black pepper
1 large green pepper, seeded and chopped	2 16-ounce can kidney beans
	28-ounce can diced tomatoes, undrained
	12-ounce can tomato paste
	2 15-ounce cans chicken broth

Set temperature dial to 400°F. In insert pan, heat the oil. Add the beef and sausage and cook about 20 minutes. Add the onions, pepper, jalapeno, and garlic and cook 5 minutes. Stir in remaining ingredients. Reduce temperature to 275°F. Cover and bake for 2 hours, stirring halfway though. **Makes 5 quarts.**

## Roast Chicken with Honey Mustard Glaze

---

6 to 7 pound roaster chicken	½ cup honey
½ teaspoon salt	3 tablespoons prepared mustard
¼ teaspoon pepper	

Remove giblets from roaster cavity and use for giblet gravy, if desired. Rinse chicken with cold water; pat dry. Sprinkle with salt and pepper. In a small bowl combine honey and mustard. Brush chicken with half of mixture. Place on rack and put into roaster oven. Cover and roast at 350°F for 1 hour. Brush with remaining glaze. Continue to cook another 45 minutes or until done.

## Whole Beef Tenderloin

---

1 whole beef tenderloin, 7-9 pounds  
2 teaspoons each: oregano, basil,  
thyme, and salt

1 teaspoon each: ground red pepper,  
black pepper, chili powder, and  
onion powder

Trim off most of the fat covering the tenderloin. Fold thin, flat end of the tenderloin back toward middle and tie with kitchen twine. This is so the roast will cook more evenly. Combine all seasonings and rub over roast. Place roast on rack and place rack in roaster. Cover and roast at 400°F for 1½ hours before removing cover to check with meat thermometer. Cook to a minimum internal temperature of 140°F for rare. **Yield: 14 to 20 servings.**

## Blue Cheese Shrimp

---

4 ounces blue cheese, crumbled  
8 ounces cream cheese, cut in cubes  
and at room temperature  
1 tablespoon chopped fresh chives  
1 tablespoon chopped fresh parsley

1 clove garlic, minced  
⅓ cup white wine\*  
2 pounds shelled raw shrimp  
Cooked rice or pasta

In a medium mixing bowl combine the blue cheese, cream cheese, chives, parsley, garlic, and wine. Beat until smooth. Fold in shrimp by hand. Pour into a greased shallow 2-quart casserole dish. Place in roaster oven and bake at 400°F for 20 minutes or until mixture is bubbly and shrimp are just done. Mixture will be soupy. Serve over hot rice or pasta. **Makes 6 servings.**

\* You may substitute ¼ cup gingerale + 1 tablespoon lemon juice for the wine.

## Side Dishes

### Seasoned Rice

---

8 cups regular or converted  
white rice (uncooked)  
2 tablespoons dried minced onion

8 cups beef or chicken broth or bouillon  
8 cups boiling water  
½ cup butter or margarine, melted

Remove insert pan from roaster oven. Preheat oven to 350°F. Place all ingredients in insert pan. Stir to mix. Place insert pan in roaster oven. Cover and bake at 350°F for 1½ hours. **Makes 30 servings.**

### Baked Potatoes

---

10 pounds baking potatoes

Wash and scrub the potatoes. Pierce all the potatoes, several times. Stack in the roaster oven so that they are not touching the sides of the insert pan. Bake at 400°F for 1 hour, or until done. Check for doneness by piercing with a fork.

## Southern Baked Beans

---

1 pound lean ground beef	$\frac{3}{4}$ cup ketchup
1 envelope dry onion soup mix	2 tablespoons prepared mustard
2 16-ounce cans pork and beans	1 tablespoon vinegar
1 16-ounce can kidney beans	

Do not drain beans. In a large skillet brown ground beef until done. Discard grease. Place browned ground beef, soup mix, pork and beans, kidney beans, ketchup, mustard, and vinegar into a 3-quart casserole or baking dish. Mix thoroughly. Place in roaster oven and bake at 350°F for 35 to 45 minutes.

**Makes 10 servings.**

## Corn Pudding

---

$\frac{1}{4}$ cup butter, melted	$\frac{1}{2}$ teaspoon pepper
$\frac{1}{4}$ cup flour	3 cups milk
6 tablespoons sugar	6 eggs
2 teaspoon salt	2 16-ounce cans whole kernel corn, drained

Pour butter into a 9x13-inch baking dish or pan. Tilt to coat bottom and sides of pan. In a small bowl combine flour, sugar, salt, and pepper; set aside. In a large mixing bowl, whisk together milk and eggs. Stir in corn. Sprinkle flour-sugar mixture over top of corn mixture, then stir to blend. Pour into prepared pan. Place in roaster oven and bake at 350°F for 35 to 45 minutes or until set.

**Makes 10 to 12 servings.**

## Creamed Potatoes

---

4 pounds white potatoes, about 15 medium	$1\frac{1}{2}$ teaspoons salt
3 cups half and half	$\frac{1}{4}$ teaspoon pepper
3 tablespoons finely minced onion	4 tablespoons butter

Scrub the potatoes but do not peel. Place in a large pot and cover with water. Place over high heat and bring to boil. Reduce to simmer and cook until done, about 45 minutes. Refrigerate overnight. Grate the potatoes. It is not necessary to peel them. Place grated potatoes, half and half, onion, salt, and pepper in a large bowl and stir to mix. Put butter in a 9x13-inch baking dish and rotate dish to coat. Spoon in potato mixture. Place in roaster oven and bake at 375°F for 1 hour.

**Makes 10 servings.**

## Cheddar Onion Cornbread

¼ cup butter	2 eggs
1½ cups chopped onion	1 cup milk
8-ounce container sour cream	2 8-ounce packages corn muffin mix
1½ cups grated cheddar cheese, divided	15-ounce can cream corn
	3 drops hot pepper sauce

In a skillet over medium high heat, sauté onions in butter until soft. Transfer to a medium mixing bowl and let cool. Stir in sour cream and 1 cup of the cheddar cheese. Set aside.

In another bowl, whisk eggs. Then add milk, muffin mix, cream corn, and pepper sauce. Stir until mixed. Spread muffin batter into a greased 9x13-inch baking pan. Dollop sour cream mixture over top of batter. Sprinkle remaining cheddar cheese over all. Place in roaster oven and bake at 425°F for 30 to 35 minutes. Let set for 5 minutes before cutting.

## Desserts

### Gingerbread with Lemon Sauce

#### Gingerbread

½ cup butter, softened	½ teaspoon baking soda
1 cup brown sugar	⅛ teaspoon salt
2 eggs	1 tablespoon ground ginger
1 cup milk	¼ teaspoon cinnamon
1 cup molasses	¼ teaspoon cloves
2½ cups flour	¼ teaspoon nutmeg

Grease a 9x13-inch baking pan. In a large bowl, cream together butter and sugar. Add eggs and mix well. Add milk and molasses and mix thoroughly. Add flour, baking soda, salt, ginger, cinnamon, cloves, and nutmeg. Beat well. Pour batter into greased pan. Place in roaster oven and bake for 35 to 40 minutes at 350°F until gingerbread begins to pull away slightly from sides of pan.

#### Lemon Sauce

2 tablespoons cornstarch	1 cup hot water
½ cup sugar	2 tablespoons butter
⅛ teaspoon salt	Juice and grated peel from one lemon

In a medium saucepan, combine cornstarch, sugar, and salt. Blend in hot water. Cook over medium-high heat, stirring constantly until mixture boils and is slightly thickened. Stir in butter, juice of lemon, and grated lemon peel, mixing well until butter is melted. Serve warm or cold over gingerbread. **Makes 1½ cups.**

## Lemon Squares

1 cup butter	½ cup flour
½ cup sugar	1 teaspoon baking powder
2 cups flour	4 tablespoons lemon juice
4 eggs	2 tablespoons lime juice
2 cups sugar	Grated zest of 1 lemon (yellow part of peel)
½ teaspoon vanilla	

Place butter and sugar in mixing bowl and beat until mixed. Add flour and mix until blended and crumbly. Press mixture into bottom of 9x13-inch baking pan. Place in roaster oven and bake at 350°F for 20 minutes or until edges just turn brown. Meanwhile in same bowl (do not need to wash) beat eggs. Slowly add sugar then vanilla, flour, baking powder, juices, and zest. When crust is done pour egg mixture over crust. Return to oven and bake an additional 20 to 25 minutes or until set. Cool in pan then cut into squares.

## The Perfect Cheesecake

You need a springform pan for this, but cheesecakes are easy to make. The roaster oven cooks the cheesecake with gentle heat by surrounding it with water like the professionals do.

Butter	1½ cups sugar
½ cup graham cracker crumbs	5 eggs
6 8-ounce packages cream cheese, room temperature	1 teaspoon vanilla
	1 tablespoon lemon juice

Generously butter bottom and sides of 9½ inch springform pan. Sprinkle crumbs evenly over bottom of pan. In a large mixing bowl beat cream cheese until smooth. Add sugar and continue to beat until smooth. Add eggs beating well after each addition. Stir in vanilla and lemon juice. Pour into prepared springform pan. Cover springform pan with aluminum foil. (This prevents condensation in roaster from dripping onto cake.) Pour 3 quarts hot water into insert pan. Place springform pan on rack and place in roaster. Cover and bake at 325°F for 1½ hours. Carefully remove and let cool, then refrigerate thoroughly before serving.

**Yield: 16 to 20 servings.**

## Harvest Apple Cake

1 cup sugar	1 teaspoon baking soda
1 cup light brown sugar	1 teaspoon salt
1½ cups vegetable oil	½ teaspoon cinnamon
3 eggs	½ teaspoon nutmeg
2 teaspoons vanilla extract	2 cups finely chopped apples
3 cups flour	1 cup chopped pecans

Preheat roaster oven to 325°F. In a large mixing bowl beat together sugars, oil, eggs, and vanilla. Add flour, soda, salt, cinnamon, and nutmeg. Mix until blended. Stir in apples and nuts. Pour into greased 10-12 cup bundt or tube pan. Place in roaster oven and bake 1 hour or until toothpick inserted in center comes out clean. Let cool in pan 5 minutes then invert on cookie rack to cool.

## Mocha Souffle Cake

---

6 ounces semisweet baking chocolate	1 cup butter
2 ounces unsweetened baking chocolate	1 tablespoon instant coffee
<b>OR</b>	8 eggs, separated
	¼ teaspoon salt
8 ounces bittersweet chocolate	1 cup sugar
	1 teaspoon vanilla

In double boiler or heavy saucepan over low heat, melt chocolate, butter, and instant coffee. Set aside. In mixing bowl beat egg whites and salt until whites hold a point but not stiff. Set aside. In a mixing bowl whisk egg yolks. Add some of the melted chocolate to the yolks, then whisking quickly, add remaining chocolate to the yolks. Stir in sugar and vanilla. Add a few large spoonfuls of egg whites to the chocolate. Fold in. Add remaining whites and fold until combined. Generously butter a bundt or 10-inch tube pan then generously coat with sugar. Pour in chocolate mixture. Place in roaster oven and bake at 300°F for 2 hours. The cake will rise then fall during baking. Remove from oven and let sit in pan 5 minutes. Invert onto serving plate. Best if served warm with whipped cream or ice cream.

## Breakfast Foods

### Baked Eggs

---

1½ cups milk	½ teaspoon pepper
3 dozen eggs	¼ cup melted butter
1 teaspoon salt	

In a large bowl, beat milk, eggs, salt, and pepper with mixer. Pour melted butter into 9x13-inch baking pan and tilt pan to coat bottom and sides. Pour egg mixture into pan. Place in roaster oven and bake eggs at 400°F for 30 minutes, stirring and scraping sides of pan with a rubber spatula every 10 minutes to ensure even cooking. **Makes 15 servings.**

### Overnight Sticky Buns

---

⅔ cup finely chopped pecans	¼ cup butter, melted
1 pound, 9-ounce bag frozen roll dough	½ cup brown sugar
4 tablespoons + 1 teaspoon butterscotch cook & serve pudding mix, (½ of a 3.5 ounce box)	1 teaspoon cinnamon

Grease a 10-inch tube or bundt pan. Sprinkle pecans in bottom of pan. Place frozen rolls in pan. Sprinkle with pudding mix. Pour melted butter over rolls. Combine brown sugar and cinnamon and sprinkle over rolls. Cover with wax paper and let sit at room temperature overnight. In the morning, remove wax paper, place in roaster oven, and bake at 350°F for 20 to 30 minutes. Remove from oven and immediately place serving plate on top of pan. Use hot mitts and flip the pan to remove sticky buns.

# Customer Service

If you have a question about your roaster oven, call our toll-free customer service number. Before calling, please note the model, type, and series numbers and fill in that information below. These numbers can be found on the bottom of your roaster oven. This information will help us answer your question much more quickly.

**MODEL:** \_\_\_\_\_ **TYPE:** \_\_\_\_\_ **SERIES:** \_\_\_\_\_

## LIMITED WARRANTY

This product is warranted to be free from defects in material and workmanship for a period of two (2) years for Hamilton Beach Portfolio products or one (1) year for Hamilton Beach products from the date of original purchase, except as noted below. During this period, we will repair or replace this product, at our option, at no cost. THE FOREGOING WARRANTY IS IN LIEU OF ANY OTHER WARRANTY, WHETHER EXPRESS OR IMPLIED, WRITTEN OR ORAL INCLUDING ANY WARRANTY OF MERCHANTABILITY OR FITNESS FOR A PARTICULAR PURPOSE. ANY LIABILITY IS EXPRESSLY LIMITED TO AN AMOUNT EQUAL TO THE PURCHASE PRICE PAID, AND ALL CLAIMS FOR SPECIAL, INCIDENTAL AND CONSEQUENTIAL DAMAGES ARE HEREBY EXCLUDED. There is no warranty with respect to the following, which may be supplied with this product: glass parts, glass containers, cutter/strainer, blades, and/or agitators. This warranty extends only to the original consumer purchaser and does not cover a defect resulting from abuse, misuse, neglect, use for commercial purposes, or any use not in conformity with the printed directions. This warranty gives you specific legal rights, and you may also have other legal rights which vary from state to state, or province to province. Some states or provinces do not allow limitations on implied warranties or special, incidental or consequential damages, so the foregoing limitations may not apply to you.

If you have a claim under this warranty, DO NOT RETURN THE APPLIANCE TO THE STORE! Please call our CUSTOMER SERVICE NUMBER. (For faster service please have model, series, and type numbers ready for operator to assist you.)

## CUSTOMER SERVICE NUMBERS

In the U.S. 1-800-851-8900

In Canada 1-800-267-2826

Web site address: [www.hamiltonbeach.com](http://www.hamiltonbeach.com)

**KEEP THESE NUMBERS FOR FUTURE REFERENCE!**

HAMILTON BEACH ♦ PROCTOR-SILEX, INC.

263 Yadkin Road, Southern Pines, NC 28387

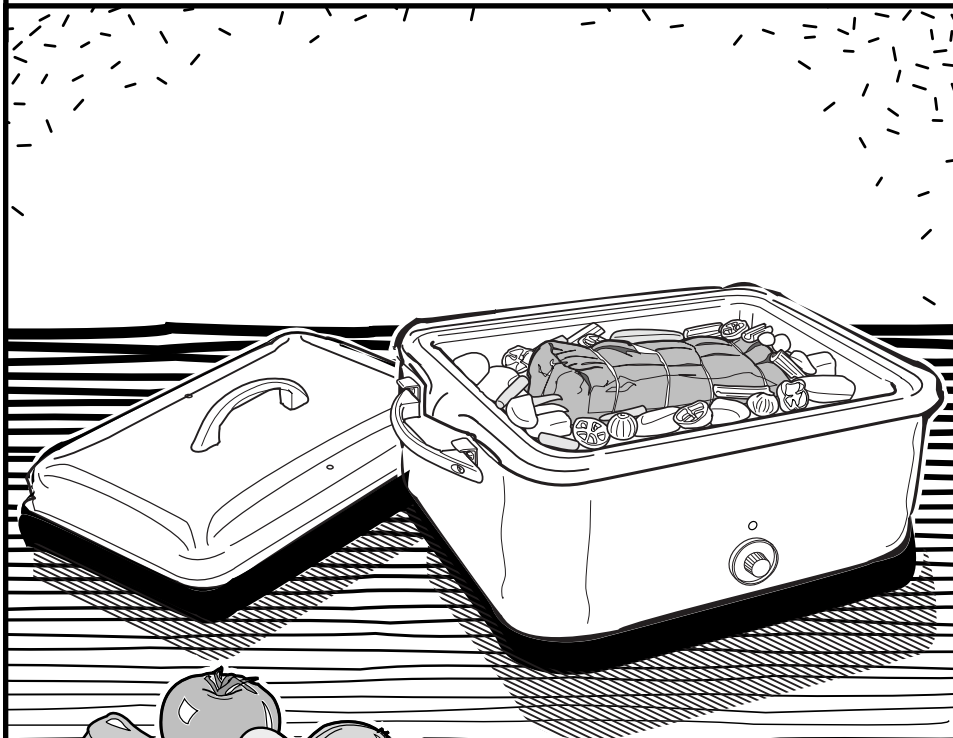
PROCTOR-SILEX CANADA, INC.

Pictou, Ontario K0K 2T0



# Hamilton Beach®

## *Rôtissoire*



Sécurité de la rôtissoire .....	2
Pièces et caractéristiques .....	3
Utilisation de la rôtissoire.....	3
Rôtissage au four .....	4
Nettoyage de la rôtissoire.....	7
Recettes.....	7
Service aux clients.....	16

Aux É.-U. : 1-800-851-8900  
Au Canada : 1-800-267-2826

# Sécurité de la rôtissoire

## IMPORTANTES INSTRUCTIONS

Lors de l'utilisation d'appareils électroménagers, des précautions fondamentales de sécurité doivent toujours être observées, y compris ce qui suit :

1. Lire toutes les instructions.
2. Ne pas toucher les surfaces chaudes. Utiliser les poignées ou boutons.
3. Utiliser des gants de cuisine pour retirer le contenant intérieur de la rôtissoire; ou pour sortir un moule à gâteau ou des aliments cuits du contenant intérieur.
4. Pour protéger contre le risque de choc électrique, ne pas immerger la base de la rôtissoire, le cordon ou la fiche dans l'eau ou autre liquide.
5. Une bonne surveillance est nécessaire pour tout appareil utilisé par des enfants ou près d'eux.
6. Débrancher l'appareil de la prise de courant électrique lorsqu'il n'est pas utilisé et avant un nettoyage. Le laisser refroidir avant d'y placer ou d'y enlever des pièces et avant un nettoyage.
7. Ne pas faire fonctionner un appareil électroménager avec une fiche ou un cordon endommagé, ou lorsque l'appareil ne fonctionne pas bien ou a été échappé ou endommagé d'une manière quelconque. Composer notre numéro de service aux clients, sans frais d'interurbain, pour des renseignements concernant l'examen, la réparation électrique, la réparation mécanique ou l'ajustement.
8. L'utilisation d'accessoires non recommandés par le fabricant de l'appareil ménager peut causer des blessures.
9. Ne pas utiliser à l'extérieur.
10. Ne pas laisser le cordon pendre du bord d'une table ou d'un comptoir, ni toucher des surfaces chaudes, y compris la cuisinière.
11. Pour déconnecter, tourner la commande de température à « Off », puis débrancher la fiche de la prise murale.
12. Ne pas placer l'appareil sur ou près d'un brûleur à gaz chaud, ou d'un élément électrique, ou dans un four chauffé.
13. Une grande précaution doit être prise lors de l'utilisation d'un appareil électroménager contenant de l'huile chaude ou autres liquides chauds.
14. **MISE EN GARDE** : La vapeur s'échappant de dessous le couvercle est chaude et peut causer des brûlures.
15. Ne pas utiliser sans le plat amovible conçu spécialement pour ce modèle.
16. Ne pas utiliser cet appareil pour faire fondre de la cire ou pour tout autre usage non alimentaire.
17. Veiller à ce que les matériaux inflammables tels que les rideaux, tentures, murs, armoires, dossierers, etc. ne touchent aucune partie de la rôtissoire durant son utilisation.
18. **Ne pas utiliser l'appareil électroménager à une fin autre que l'utilisation prévue.**

## CONSERVER CES INSTRUCTIONS!

### Renseignements de sécurité aux consommateurs

**Cette rôtissoire n'est pas destinée à un usage commercial, professionnel ou industriel. Elle est conçue uniquement pour la cuisson d'aliments. Elle ne doit pas être utilisée pour faire fondre de la cire. Cet appareil est conçu, fabriqué et destiné à l'usage ménager seulement.**

Cet appareil est muni d'une fiche polarisée. Ce type de fiche présente une broche plus large que l'autre. Par mesure de sécurité, la fiche peut être introduite dans une prise que dans un sens seulement. Il s'agit d'une

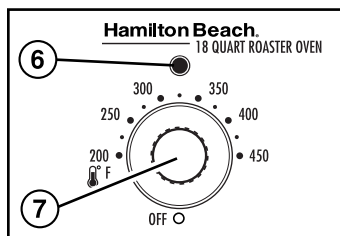
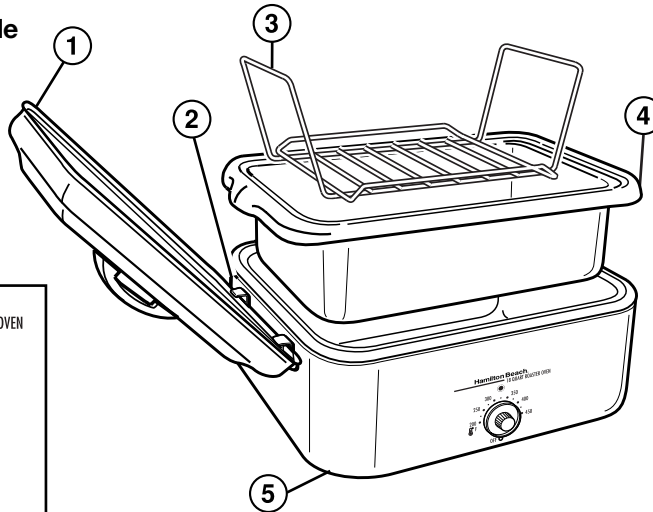
caractéristique de sécurité visant à réduire le risque de choc électrique. Si la fiche ne peut pas être insérée dans la prise, la tourner dans l'autre sens. Si elle ne peut toujours pas être insérée dans la prise, contacter un électricien pour qu'il remplace la prise désuète. Ne pas essayer de contourner l'objectif de sécurité de la fiche polarisée en la modifiant de quelque manière que ce soit. La longueur du cordon de cet appareil a été choisie de façon à ce que l'on ne risque pas de trébucher dessus. Si un cordon plus long est nécessaire, utiliser une rallonge appropriée. Le calibrage de la rallonge doit

être le même que celui de l'appareil ou supérieur. Lorsqu'on utilise une rallonge, s'assurer qu'elle ne traverse pas la zone de travail, que des enfants ne puissent pas tirer dessus par inadvertance et qu'on ne puisse pas trébucher dessus.

VEUILLEZ LIRE CE LIVRET!  
LA RÔTISSOIRE CUIT CERTAINS  
ALIMENTS PLUS RAPIDEMENT  
QU'UN FOUR CONVENTIONNEL.

## Pièces et caractéristiques

1. Couvercle
2. Supports de couvercle
3. Grille
4. Plat amovible de 18 pintes
5. Base
6. Indicateur lumineux
7. Commande de température



## Utilisation de la rôtissoire

**AVANT L'UTILISATION INITIALE :** Laver le plat, grille, et le couvercle. Lors de l'utilisation initiale de la rôtissoire, on remarquera peut-être de la fumée et une odeur. On ne devrait pas percevoir de fumée ou d'odeur après le premier chauffage de la rôtissoire.

### Conseils à propos de la rôtissoire

- Le plat amovible devrait toujours être utilisé lors de la cuisson dans la rôtissoire. Si l'on prépare de grandes quantités de soupes ou de ragoûts, le plat amovible peut être utilisé comme plat de cuisson dans la base de la rôtissoire. Il peut également servir de grande rôtissoire dans la base.
- Ne pas utiliser le plat amovible comme plat de cuisson au four ou cocotte pour les gâteaux, pains ou mets en sauce. Un plat distinct doit être placé dans le plat amovible lors de la cuisson de ces aliments.
- La plupart des plats en verre réfractaire conviennent à la rôtissoire. Avant de remplir le plat, le mettre dans le plat amovible pour s'assurer qu'il convient.
- Les plats pour la cuisson devraient être placés sur la grille pour une circulation maximale de la chaleur. Si nécessaire, la grille peut être retirée pour accommoder un grand plat ou deux plats dans la rôtissoire.

## *Dimensions des plats!*

### Les plats de tailles suivantes conviennent à la rôtissoire :

- Un plat de cuisson de 9 x 13 po ou une plaque à rôtir de 10 x 14 po
  - Deux moules à pain de 9 x 5 po ou 8 x 4 po
  - Un moule à cheminée
- Avant de faire cuire ou de rôtir dans la rôtissoire, s'assurer que le plat que vous prévoyez utiliser conviendra en le plaçant dans le plat amovible.

- Les sacs de rôtissage au four en papier d'aluminium peuvent être utilisés dans la rôtissoire. Nous ne recommandons pas d'utiliser des sacs plastique de rôtissage au four dans la rôtissoire.
- Ne pas enlever le couvercle de la rôtissoire inutilement. Enlever le couvercle laisse la chaleur s'échapper et affecte la température de la rôtissoire.
- L'indicateur lumineux s'allume et s'éteint pendant la cuisson pour maintenir la température réglée.

## Mode d'emploi

### *Remarques!*

- Le plat amovible devrait toujours être placé dans la rôtissoire lors de la cuisson.
- Si la recette demande un four préchauffé, régler la commande à la température désirée. Le témoin lumineux rouge s'éteindra lorsque le four atteindra la température réglée.

1. S'assurer que la commande de température est tournée à OFF. Brancher le cordon dans une prise de 120 V CA.

2. Enlever la grille. Laisser le plat amovible dans la rôtissoire.
3. Régler la température tel que désiré et laisser préchauffer 15 minutes.
4. Placer la nourriture à faire cuire dans une grille (ou directement dans le plat amovible). Placer dans la rôtissoire et replacer le couvercle.
5. Une fois la cuisson terminée, enlever le couvercle. Avec des gants de cuisine, sortir prudemment les aliments au moyen de la grille.
6. Tourner la commande de température à OFF, puis débrancher la rôtissoire.

## *Rôtissage au four*

### Rôtissage de viandes et volailles

- Nous recommandons l'utilisation d'un thermomètre à viande pour assurer une cuisson parfaite des rôtis et de la volaille à chaque fois. Si on utilise un thermomètre à viande, la viande ou la volaille devrait être retirée de la rôtissoire lorsque la température

sur le thermomètre est de 5 à 10° en-dessous de la température désirée. La température interne continuera de s'élever après que la viande a été retirée de la rôtissoire.

- La plupart des jambons vendus de nos jours sont étiquetés « Faire cuire avant de manger » ou « Entièrement cuit ». Le jambon étiqueté « Faire cuire avant de manger » a été fumé ou salaisonné, mais n'a PAS été cuit. On doit faire cuire ce jambon entièrement jusqu'à une température interne de 155 à 160°F. Le jambon « Entièrement cuit » a été fumé ou salaisonné et cuit. Il n'est pas nécessaire de faire cuire ce jambon, mais porter sa température à 140°F améliorera sa saveur.
- La rôtissoire cuit les dindes en moins de temps que les fours conventionnels. Une dinde non farcie de 14 à 18 livres cuira en environ 2½ heures. Une dinde cuite dans une rôtissoire est humide et juteuse, mais ne brunit pas. Si on désire une dinde brunie, utiliser la sauce à brunir pour dinde dans la section « Recettes ».
- Le Tableau de rôtissage donne les durées de cuisson pour les pièces de viande tendres habituellement rôties à sec. Ces rôtis proviennent des côtes ou de la surlonge. Pour attendrir les pièces provenant de la cuisse (jambon) ou de l'épaule/bas de palette, faire cuire dans le liquide pendant une période plus longue.
- Les durées indiquées sont approximatives et ne devraient servir qu'à titre indicatif. Les pièces de viande individuelles et les préférences personnelles peuvent nécessiter des durées de rôtissage plus longues ou plus courtes.

## Tableau de rôtissage

ALIMENT	POIDS	TEMPÉRATURE DU THERMOMÈTRE À VIANDE	DURÉE DE CUISSON (à 325°F)
<b>Dinde entière</b>	14 à 18 lb	180°F	2 à 3 heures
<b>Poitrine de dinde</b>	5 à 7 lb	180°F	1½ heure
<b>Poulet</b>	6 à 8 lb	180°F	1½ heure
<b>Rôti de bœuf</b>	5 à 7 lb	160°F (à point)	2½ heures
<b>Rôti de porc frais</b>	5 à 7 lb	160°F (à point)	2 heures
<b>Épaule pique-nique de jambon (entièrement cuite)</b>	7 à 10 lb	140°F	2 à 3 heures
<b>Jambon entier (entièrement cuit)</b>	15 à 18 lb	140°F	2 à 3 heures

## Cuisson au four

La rôtissoire peut cuire vos gâteaux, tartes, pains ou mets en sauce favoris comme un four conventionnel. Les plats devraient être placés sur la grille pour la meilleure circulation de la chaleur. L'utilisation de la grille est aussi recommandée pour la commodité

de sortir les plats chauds de la rôtissoire.

Ne pas ôter le couvercle de la rôtissoire inutilement. Ôter le couvercle laisse la chaleur s'échapper et affecte la température de la rôtissoire.

## Étuvage

Préchauffer la rôtissoire à 450°F. Pour cuire à la vapeur dans la rôtissoire, il vous faudra une passoire en acier inoxydable. Placer la grille dans le plat amovible. Placer le plat amovible dans la rôtissoire. Verser une pinte d'eau bouillante dans le plat amovible.

Placer les aliments à faire cuire à la vapeur dans la passoire et placer la passoire dans le plat amovible. Couvrir et cuire à la vapeur pour les durées ci-dessous ou jusqu'au degré de cuisson désiré.

ALIMENT À FAIRE CUIRE À LA VAPEUR	DURÉE DE CUISSON
2 têtes de choux-fleurs coupées	10 minutes
2 branches de brocoli coupées	10 minutes
2 livres de crevettes	10 minutes

## Réchauffage de petits pains, biscuits, etc.

Préchauffer la rôtissoire à 250°F. Vous aurez besoin de deux petits contenants allant au four pour contenir l'eau. Les boîtes de conserve vides et lavées conviennent parfaitement. Remplir les boîtes aux deux tiers d'eau chaude et

les placer dans les coins opposés du plat amovible. Empiler les petits pains, biscuits ou crêpes dans le plat amovible. Ne pas les laisser toucher les côtés du plat. Couvrir et garder au chaud pendant 1 heure.

## Cuisson en quantité

La plat amovible peut servir pour la cuisson ou le réchauffage de grandes quantités, environ 4 gallons. Il peut servir pour faire mijoter les sauces, soupes ou ragoûts, ou simplement pour faire chauffer ou réchauffer de grandes quantités. Lors de la cuisson ou de réchauffage de soupes ou de ragoûts dans la rôtissoire, remuer occasionnellement pour réchauffage plus rapide et uniforme.

Par exemple, régler la commande de température à 400°F et la rôtissoire réchauffera une soupe aux légumes et au boeuf d'une température réfrigérée à une température de service en environ deux heures. Pour faire cuire des soupes, ragoûts ou sauces, régler la commande de température à 225°F et prévoir 4 à 8 heures de mijotage selon la recette.

## Nettoyage de la rôtissoire

1. Tourner la commande de température à OFF. Débrancher la rôtissoire de la prise et la laisser refroidir.
2. Laver le couvercle et le plat amovible dans de l'eau chaude savonneuse. Pour enlever les aliments brûlés sur la surface, faire tremper, puis frotter avec un tampon de récurage en nylon. Rincer dans de l'eau chaude, puis sécher.
3. Essuyer l'intérieur de la base de la rôtissoire avec un linge humide.
4. Essuyer l'extérieur de la rôtissoire avec un linge humide savonneux, puis sécher.

**REMARQUE :** Ne pas laver le contenant intérieur dans le lave-vaisselle.

## Recettes - Hors-d'œuvre

À moins d'indication contraire, préchauffer la rôtissoire 15 minutes à la température demandée dans la recette.

Si la recette nécessite l'utilisation d'une casserole ou d'un moule, enlever la grille de la rôtissoire. Préchauffer à la température désirée. Mettre la casserole ou le moule sur la grille, puis mettre les deux ensemble dans la rôtissoire. Cuire selon les instructions de la recette. La grille permet de mettre et de retirer plus facilement la casserole ou le moule dans la rôtissoire chaude.

### Boulettes de viande

5 lb de boulettes de viande précuites surgelées  
Bocal de 12 oz de gelée de raisin

Bocal de 12 oz de gelée de groseilles  
Bouteille de 12 oz de sauce chili  
Bouteille de 12 oz de sauce cocktail

Laisser les boulettes de viande décongeler pendant la nuit au réfrigérateur. Placer les boulettes dans le plat amovible. Dans un grand bol à mélanger, battre ensemble les gelées et sauces. Les verser sur les boulettes. Cuire à 250°F pendant 2 heures ou jusqu'à ce qu'elles soient bien chauffées.

### Trempe de crabe et brie cuite au four

1 c. à soupe d'huile végétale  
1 c. à soupe d'ail émincé  
4 oignons verts, hachés finement (inclure la moitié des feuilles vertes)  
8 oz de brie  
8 oz de fromage à la crème, à la température de la pièce  
1 tasse de lait

1 livre de chair de crabe  
Paquet de 10 oz d'épinards hachés congelés, décongelés et pressés pour en extraire l'eau  
Bocal de 6 oz de coeurs d'artichauts, égouttés et hachés  
1 c. à soupe de moutarde préparée

Dans une grande poêle, sauter l'ail et l'oignon à feu moyen jusqu'à ce que l'oignon soit ramolli. Enlever toute croûte du brie et le couper morceaux de ½ po. Ajouter à la poêle. Couper le fromage à la crème en dés et l'ajouter à la poêle avec le lait. Cuire et remuer jusqu'à ce que les fromages soient fondus. Retirer du feu et verser dans le bol à mélanger. Examiner la chair de crabe et ôter tout morceau de carapace. Ajouter les épinards, coeurs d'artichaut, le crabe et la moutarde. Mélanger en remuant doucement, puis transférer à la cuiller dans un

plat peu profond graissé de 2 pintes ou dans une cocotte. Placer dans la rôtissoire et cuire à 425°F pendant 15 à 20 minutes ou jusqu'à un léger brunissement. Servir avec des craquelins ou des tranches de baguette rôties.

**Donne 8 hors-d'oeuvre.**

## *Plats principaux*

### **Dinde rôtie rapide**

La rôtissoire cuit une dinde en environ la moitié du temps d'un four ordinaire, mais utiliser un thermomètre à viande pour s'assurer que la dinde est cuite complètement. La rôtissoire NE brunit PAS la dinde. La condensation qui dégoutte constamment du couvercle de la rôtissoire empêche la dinde de brunir, mais produit une dinde humide et juteuse.

Dinde fraîche ou décongelée de 14 à 18 lb	1 c. à thé de sel
1 oignon, coupé en deux	½ c. à thé de poivre
2 branches de céleri	¼ de tasse de beurre, fondu

Sortir la grille de levage. Verser ½ tasse d'eau dans le plat amovible, couvrir et préchauffer à 325°F. Ôter les abattis et le cou de la cavité de la dinde. Mettre de côté pour la sauce aux abattis. Rincer l'extérieur et l'intérieur de la dinde à l'eau froide. Placer l'oignon et le céleri dans la cavité. Frotter l'extérieur avec du sel et du poivre. Placer sur la grille. Badigeonner toute la dinde avec le beurre. Placer dans la rôtissoire. Couvrir et cuire à 325°F pendant 2 à 2½ heures. Vérifier la lecture sur le thermomètre à viande. Continuer la cuisson jusqu'à ce que le thermomètre indique 180°F.

### **Sauce à brunir pour dinde**

Pour rôtir une dinde avec une peau brune, utiliser la recette suivante avant la cuisson :

¼ de tasse de margarine ou beurre fondu
1½ c. à thé de sauce à brunir, comme Kitchen Bouquet
1 c. à thé de paprika

Laver la dinde à l'eau froide. L'assécher en tapotant. Badigeonner la dinde avec le mélange à brunir et cuire selon les instructions.

### **Jambon entier cuit**

Jambon fumé de 15 lb entièrement cuit	½ tasse de jus d'orange
2 tasses d'eau	1 tasse de cassonade
½ tasse de miel	

Réduire la partie épaisse de gras du jambon à ¼ po. Inciser la couche de gras qui reste en losanges; ceci aidera à retenir le glaçage. Placer le jambon sur la grille, puis dans la rôtissoire. Verser 2 tasses d'eau dans le plat amovible. Couvrir et rôtir à 325°F pendant une heure. Combiner le reste des ingrédients pour le glaçage. Ôter le couvercle et verser la moitié du glaçage sur le jambon avec une cuillère. Couvrir et cuire une heure de plus. Ôter le couvercle et verser le reste du glaçage



sur le jambon avec une cuillère. Remettre le couvercle, augmenter la température à 400°F et cuire pendant 10 minutes pour fixer le glaçage.

## **Barbecue de porc de la Caroline du Nord**

Rôti de soc de porc de 10 à 12 lb	1 c. à soupe de poivre noir
2 btes de 28 oz de tomates entières	2 c. à soupe de sel
1½ tasse de vinaigre	3 c. à soupe de sucre
½ tasse de sauce Worcestershire	1-2 c. à soupe de poivre de Cayenne
½ tasse d'eau	broyé

Placer le porc dans le plat amovible. Dans un grand bol à mélanger, combiner le reste des ingrédients. Mélanger en remuant et briser les tomates entières. Verser le mélange de tomate et vinaigre sur le porc. Couvrir et rôtir à 250°F. Cuire pendant 5 heures ou jusqu'à ce que la viande se détache de l'os. Ôter la viande et la trancher ou l'émincer. Mettre en purée le reste de la sauce dans lequel le porc a cuit. Servir sur de petits pains avec de la sauce et de la salade de chou.

**Donne 24 portions.**

## **Chili**

2 c. à soupe d'huile	1 c. à soupe d'ail émincé
2 lb de bas de palette de boeuf, coupée en petits morceaux	4 c. à soupe poudre de chili
1 lb de saucisses italiennes épicées, sorties des boyaux	2 c. à soupe de cumin moulu
1 lb de saucisses italiennes douces, sorties des boyaux	1 c. à thé de poivre noir
2 gros oignons, hachés	2 btes (16 oz) de haricots rouges
1 gros poivron vert, épépiné et haché	1 bte de 28 oz de tomates en dés, non égouttées
4 c. à soupe de piment jalapeno en boîte, tranché (environ la moitié d'une bte de 4 oz)	1 bte de 12 oz de purée de tomate
	2 btes de 15 oz de bouillon de poulet

Régler le cadran de la température à 400°F. Faire chauffer l'huile dans le plat amovible. Ajouter le boeuf et la saucisse et cuire environ 20 minutes. Ajouter les oignons, le poivron, le piment et l'ail, et cuire 5 minutes. Ajouter le reste des ingrédients en remuant. Réduire la température à 275°F. Couvrir et cuire pendant 2 heures, en remuant au bout d'une heure. **Donne 5 pintes.**

## **Poulet rôti glacé à la moutarde au miel**

Poulet à rôtir de 6 à 7 lb	½ tasse de miel
½ c. à thé de sel	3 c. à soupe de moutarde préparée
¼ c. à thé de poivre	

Ôter les abattis de la cavité et les utiliser pour la sauce aux abattis, si désiré. Rincer le poulet à l'eau froide. Le sécher en tapotant. Saupoudrer de sel et de poivre. Dans un petit bol, combiner le miel et la moutarde. Badigeonner le poulet avec la moitié du mélange. Placer le poulet sur la grille, puis dans la rôtissoire. Couvrir et rôtir à 350°F pendant 1 heure. Badigeonner avec le reste du mélange à glacer. Continuer de faire cuire pendant 45 minutes ou jusqu'à cuisson complète.

## Filet de bœuf entier

- 1 filet de bœuf entier, 7 à 9 lb
- 2 c. à thé chacune de : origan, basilic, thym et sel
- 1 c. à thé chacune de : poivre de Cayenne, poivre noir, poudre de chili, et poudre d'oignon

Enlever la majeure partie du gras couvrant le filet. Replier l'extrémité mince et plate du filet vers le milieu et l'attacher avec de la ficelle de cuisine pour que le rôti cuise plus uniformément. Combiner tous les assaisonnements et les frotter sur le rôti. Placer le rôti sur la grille et la grille dans la rôtissoire. Couvrir et rôtir à 400°F pendant 1½ heure avant de retirer le couvercle pour vérifier avec un thermomètre à viande. Cuire jusqu'à une température interne de 140°F pour une viande saignante.

**Donne : 14 à 20 portions.**

## Crevettes au fromagé bleu

- |                                               |                                       |
|-----------------------------------------------|---------------------------------------|
| 4 oz de fromage bleu, émietté                 | 1 gousse d'ail, émincée               |
| 8 oz de fromage à la crème,<br>coupé en dés   | ⅓ de tasse de vin blanc*              |
| 1 c. à soupe de ciboulette fraîche,<br>hachée | 2 lb de crevettes crues, décortiquées |
| 1 c. à soupe de persil frais, haché           | Riz ou pâtes cuits                    |

Dans un bol à mélanger moyen, combiner le fromage bleu, le fromage à la crème, la ciboulette, le persil, l'ail et le vin. Battre jusqu'à consistance homogène. Incorporer les crevettes à la main. Verser dans un plat peu profond graissé de 2 pintes. Cuire à 400°F pendant 20 minutes ou jusqu'à ce que le mélange bouillonne et que les crevettes soient à point. Le mélange sera sirupeux. Servir sur des pâtes ou du riz chauds. **Donne 6 portions.**

\* On peut substituer ¼ de tasse de soda au gingembre + 1 c. à soupe de jus de citron au vin.

# Plats d'accompagnement

## Riz assaisonné

- 8 tasses de riz blanc ordinaire ou étuvé (cru, c.-à-d. non cuit)
- 2 c. à soupe d'oignon séché émincé
- 8 tasses de bouillon de bœuf ou de poulet
- 8 tasses d'eau bouillante
- ½ tasse de margarine ou de beurre, fondu

Sortir le plat amovible de la rôtissoire. Préchauffer la rôtissoire à 350°F. Placer tous les ingrédients dans le plat amovible. Mélanger en remuant. Placer le plat amovible dans la rôtissoire. Couvrir et cuire à 350°F pendant 1½ h.

**Donne 30 portions.**

## Pommes de terre au four

10 lb de pommes de terre au four

Laver les pommes de terre et les nettoyer à la brosse. Percer toutes les pommes de terre plusieurs fois. Les empiler dans la rôtissoire de manière qu'elles ne touchent pas les côtés du plat amovible. Cuire à 400°F pendant 1 heure, ou jusqu'à ce qu'elles soient bien cuites. Vérifier la cuisson en perçant avec une fourchette.

## “Fèves au lard” à la mode du Sud

1 lb boeuf haché maigre	1 bte de 16 oz de haricots rouges
1 enveloppe de mélange de soupe à l'oignon	¾ tasse de ketchup
2 btes de 16 oz de “fèves au lard”	2 c. à soupe de moutarde préparée
	1 c. à soupe de vinaigre

Ne pas égoutter les fèves. Dans une grande poêle, faire brunir le boeuf haché jusqu'à ce qu'il soit bien cuit. Jeter la graisse. Placer le boeuf haché bruni, le mélange à soupe, les fèves au lard, les haricots rouges, le ketchup, la moutarde et le vinaigre dans une cocotte de 3 pintes. Bien mélanger. Placer dans la rôtissoire et cuire à 350°F pendant 35 à 45 minutes. **Donne 10 portions.**

## Pouding de maïs

¼ tasse de beurre, fondu	3 tasses de lait
¼ tasse de farine	6 oeufs
6 c. à soupe de sucre	2 btes de 16 oz de grains de maïs entiers, égouttés
2 c. à thé de sel	
½ c. à thé de poivre	

Verser le beurre dans un plat de cuisson de 9 x 13 po. Pencher le plat pour enduire le fond et les côtés. Dans un petit bol, combiner la farine, le sucre, le sel et le poivre. Mettre de côté. Dans un grand bol à mélanger, battre ensemble le lait et les oeufs. Y remuer le maïs. Saupoudrer le mélange de sucre et farine sur le mélange de maïs, puis mélanger en remuant. Verser dans le plat préparé. Placer dans la rôtissoire et cuire à 350°F pendant 35 à 45 minutes ou jusqu'à ce que le mets soit pris. **Donne 10 à 12 portions.**

## Pommes de terre en crème

4 lb de pommes de terre blanches, 1½ c. à thé de sel  
 environ 15 pommes de terre moyennes ¼ c. à thé de poivre  
 3 tasses de moitié-moitié 4 c. à soupe de beurre  
 3 c. à soupe d'oignon émincé finement

Nettoyer les pommes de terre en les brossant, mais ne pas les peler. Les mettre dans une grande casserole et les couvrir d'eau. Porter à ébullition à feu vif. Réduire à mijotage et cuire jusqu'à cuisson complète, environ 45 minutes. Les réfrigérer jusqu'au lendemain. Râper les pommes de terre. Il n'est pas nécessaire de les peler. Placer les pommes de terre râpées, la moitié-moitié, l'oignon, le sel et le poivre dans un grand bol et remuer en mélangeant. Mettre le beurre dans un plat de cuisson de 9 x 13 po et faire tourner le plat pour l'enduire. Y mettre le mélange de pommes de terre avec une cuiller. Placer dans la rôtissoire et cuire à 375°F pendant 1 heure. **Donne 10 portions.**

## Pain de maïs au cheddar et à l'oignon

¼ tasse de beurre 1 tasse de lait  
 1½ tasse d'oignon haché 2 paq. de 8 oz de mélange pour  
 Contenant de 8 oz de crème sure muffin au maïs  
 1½ tasse de fromage cheddar Bte de 15 oz de maïs en crème  
 râpé, divisé 3 gouttes de sauce au poivre forte  
 2 oeufs

Dans une poêle, faire sauter les oignons dans du beurre à feu moyen jusqu'à ce qu'ils soient ramollis. Les transférer à un bol à mélanger moyen et laisser refroidir. Y mélanger la crème sure et une tasse de cheddar. Mettre de côté.

Dans un autre bol, battre les oeufs. Ajouter le lait, le mélange à muffin, le maïs en crème et la sauce au poivre. Remuer jusqu'à ce que les ingrédients soient mélangés. Étendre la pâte dans un plat de cuisson graissé de 9 x 13 po. Mettre des cuillerées du mélange de crème sure sur la pâte. Saupoudrer le tout de fromage. Placer dans la rôtissoire et cuire à 425°F pendant 30 à 35 minutes. Laisser reposer pendant 5 minutes avant de couper.

# Desserts

## Pain d'épice avec sauce au citron

### Pain d'épice

½ tasse de beurre, ramolli	½ c. à thé de bicarbonate de soude
1 tasse de cassonade	⅛ c. à thé de sel
2 oeufs	1 c. à soupe de gingembre moulu
1 tasse de lait	¼ c. à thé de cannelle
1 tasse de mélasse	¼ c. à thé de clous de girofle moulus
2½ tasses de farine	¼ c. à thé de muscade

Graisser un moule de 9 x 13 po. Dans un grand bol, mettre en crème le beurre et le sucre. Ajouter les oeufs et bien mélanger. Ajouter le lait et la mélasse et bien mélanger. Ajouter la farine, le bicarbonate de soude, le sel, le gingembre, la cannelle, les clous de girofle moulus et la muscade. Bien battre. Verser la pâte dans le plat graissé. Placer dans la rôtissoire et cuire de 35 à 40 minutes à 350°F jusqu'à ce que le pain d'épice commence à se séparer légèrement des côtés du moule.

### Sauce au citron

2 c. à soupe d'amidon de maïs	1 tasse d'eau chaude
½ tasse de sucre	2 c. à soupe de beurre
⅛ c. à thé de sel	Jus et zeste de 1 citron râpé

Dans une casserole moyenne, combiner l'amidon, le sucre et le sel. Y mélanger l'eau chaude. Cuire à feu moyen-élevé, en remuant constamment jusqu'à ce que le mélange bouillonne et épaississe légèrement. Y remuer le beurre, le jus et le zeste de citron râpé, et bien mélanger jusqu'à ce que le beurre soit fondu. Servir la sauce tiède ou froide sur le pain d'épice. **Donne 1½ tasse.**

## Carrés au citron

1 tasse de beurre	½ tasse de farine
½ tasse de sucre	1 c. à thé de poudre levante
2 tasses de farine	4 c. à soupe de jus de citron
4 oeufs	2 c. à soupe de jus de limette
2 tasses de sucre	Zeste de 1 citron râpé
½ c. à thé de vanille	(partie jaune de la pelure)

Mettre le beurre et le sucre dans un bol à mélanger et battre jusqu'à consistance uniforme. Ajouter la farine et mélanger jusqu'à ce que le mélange soit friable. Presser le mélange dans le fond d'un moule de 9 x 13 po. Placer dans la rôtissoire et cuire à 350°F pendant 20 minutes ou jusqu'à ce que les bords brunissent. Entre-temps, dans le même bol (il n'est pas nécessaire de le laver), battre les oeufs. Ajouter lentement le sucre, puis la vanille, la farine, la poudre levante, les jus et le zeste. Une fois que la croûte est cuite, verser le mélange d'oeufs sur la croûte. Remettre au four et cuire 20 à 25 minutes de plus ou jusqu'à ce qu'elle soit prise. Laisser refroidir dans le plat, puis couper en carrés.

## Le parfait gâteau au fromage

Il vous faut un moule à charnière pour cette recette, mais les gâteaux au fromage sont faciles à préparer. La rôtissoire cuit le gâteau au fromage dans une chaleur douce en l'entourant d'eau comme le font les professionnels.

Beurre	1½ tasse de sucre
½ tasse de craquelins Graham émiettés	5 oeufs
6 paq. de 8 oz de fromage à la crème, à la température de la pièce	1 c. à thé de vanille
	1 c. à soupe de jus de citron

Beurrer généreusement le fond et les côtés d'un moule à charnière de 9½ po. Saupoudrer les miettes uniformément sur le fond du moule. Dans un grand bol à mélanger, battre le fromage à la crème jusqu'à consistance homogène. Ajouter le sucre et continuer de battre jusqu'à consistance homogène. Ajouter les oeufs, bien battre après chacun. Y mélanger la vanille et le jus de citron. Verser dans le moule à charnière préparé. Couvrir le moule à charnière de papier d'aluminium. (Ceci empêche la condensation dans la rôtissoire de dégoutter sur le gâteau). Verser 3 pintes d'eau chaude dans le plat amovible. Placer le moule à charnière sur la grille, puis dans la rôtissoire. Couvrir et cuire à 325°F pendant 1½ h. Retirer soigneusement et laisser refroidir, puis réfrigérer complètement avant de servir.

**Donne 16 à 20 portions.**

## Gâteau aux pommes

1 tasse de sucre	1 c. à thé de bicarbonate de soude
1 tasse de cassonade dorée	1 c. à thé de sel
1½ tasse d'huile végétale	½ c. à thé de cannelle
3 oeufs	½ c. à thé de muscade
2 c. à thé d'extrait de vanille	2 tasses de pommes hachées finement
3 tasses de farine	1 tasse de pacanes hachées

Préchauffer la rôtissoire à 325°F. Dans un grand bol à mélanger, battre ensemble les sucres, l'huile, les oeufs et la vanille. Ajouter la farine, le bicarbonate de soude, le sel, la cannelle et la muscade. Bien mélanger. Y remuer les pommes et les pacanes. Verser dans un moule à cheminée graissé de 10 à 12 tasses. Placer dans la rôtissoire et cuire 1 heure ou jusqu'à ce qu'un cure-dents inséré au centre sorte propre. Laisser refroidir dans le moule pendant 5 minutes, puis renverser sur une grille pour refroidir.

## Soufflé au moka

6 oz de chocolat mi-sucré	1 tasse de beurre
2 oz de chocolat non sucré	1 c. à soupe de café instantané
<b>OU</b>	8 oeufs, séparés
8 oz de chocolat aigre-doux	¼ c. à thé de sel
	1 tasse de sucre
	1 c. à thé de vanille

Dans un bain-marie ou une casserole épaisse, faire fondre le chocolat, le beurre et le café instantané à feu doux. Mettre de côté. Dans un bol à mélanger, battre les blancs d'œufs et le sel jusqu'à ce que les blancs soient en neige. Mettre de côté. Dans un bol à mélanger, fouetter les jaunes d'œufs. Ajouter un peu de chocolat fondu aux jaunes d'œufs, puis fouetter rapidement, ajouter le reste du chocolat aux jaunes d'œufs. Y remuer le sucre et la vanille. Ajouter quelques grandes cuillerées de blancs d'œufs au chocolat. Incorporer. Ajouter le reste des blancs d'œufs et incorporer jusqu'à l'obtention d'un mélange. Beurrer généreusement un moule à cheminée de 10 po, puis le saupoudrer généreusement de sucre. Y verser le mélange au chocolat. Placer dans la rôtissoire et cuire à 300°F pendant 2 heures. Le soufflé lèvera, puis baissera durant la cuisson. Le sortir du four et le laisser reposer dans le moule pendant 5 minutes. Le renverser sur une assiette de service. Il est préférable de le servir chaud avec de la crème fouettée ou de la crème glacée.

## *Aliments pour petit déjeuner*

### **Œufs cuits au four**

1½ tasse de lait	½ c. à thé de poivre
3 douzaines d'œufs	¼ tasse de beurre fondu
1 c. à thé de sel	

Dans un grand bol, battre le lait, les œufs, le sel et le poivre avec un batteur. Verser le beurre fondu dans un plat de cuisson de 9 x 13 po et le pencher pour enduire le fond et les côtés. Verser le mélange d'œufs dans le plat. Placer dans la rôtissoire et cuire les œufs à 400°F pendant 30 minutes, en remuant et en grattant les côtés du plat avec une spatule en caoutchouc toutes les 10 minutes pour assurer une cuisson uniforme. **Donne 15 portions.**

### **Brioches collantes**

⅔ tasse de pacanes hachées finement	¼ tasse de beurre, fondu
1 sac de 1 lb et 9 oz de pâte à brioches congelée	½ tasse de cassonade
4 c. à soupe + 1 c. à thé de mélange à pouding au caramel à cuire et servir, (la moitié d'une bte de 3,5 oz)	1 c. à thé de cannelle

Graisser un moule à cheminée de 10 po. Saupoudrer les pacanes dans le fond du moule. Placer les brioches congelées dans le moule. Saupoudrer avec le mélange à pouding. Verser le beurre fondu sur les brioches. Combiner la cassonade et la cannelle et saupoudrer sur les brioches. Couvrir avec du papier ciré et laisser reposer à la température de la pièce pendant la nuit. Le matin, enlever le papier ciré, placer dans la rôtissoire et cuire à 350°F pendant 20 à 30 minutes. Sortir de la rôtissoire et placer immédiatement une assiette sur le dessus du moule. Utiliser des gants de cuisine et renverser le moule pour sortir les brioches collantes.

## *Service aux clients*

Si vous avez une question au sujet de votre rôtissoire, composer notre numéro sans frais d'interurbain de service aux clients. Avant de faire un appel, veuillez noter le modèle, le type et les numéros de série, et fournir ces renseignements ci-dessous. Ces numéros se trouvent à la base de la rôtissoire. Ces renseignements nous aideront à répondre beaucoup plus vite à toute question.

**MODÈLE :** \_\_\_\_\_ **TYPE :** \_\_\_\_\_ **SÉRIE :** \_\_\_\_\_

### **GARANTIE LIMITÉE**

Ce produit est garanti exempt de vices de matériau et de fabrication pendant une période de deux (2) ans pour les produits Hamilton Beach Portfolio ou pendant un (1) an pour les produits Hamilton Beach à partir de la date de l'achat original, excepté ce qui est noté ci-dessous. Au cours de cette période, nous réparerons ou remplacerons ce produit sans frais, à notre discrétion. LA GARANTIE CI-DESSUS REMPLACE TOUTE AUTRE GARANTIE EXPRESSE OU IMPLICITE, ÉCRITE OU ORALE, Y COMPRIS TOUTE GARANTIE DE QUALITÉ MARCHANDE OU DE CONFORMITÉ À UNE FIN PARTICULIÈRE. TOUTE RESPONSABILITÉ EST EXPRESSÉMENT LIMITÉE À UN MONTANT ÉGAL AU PRIX D'ACHAT PAYÉ ET TOUTES LES RÉCLAMATIONS POUR DOMMAGES SPÉCIAUX ET INDIRECTS SONT PAR LES PRÉSENTES EXCLUES.

La garantie ne s'applique pas aux accessoires suivants qui pourraient être vendus avec ce produit : pièces en verre, récipients en verre, couteau/tamis, lames et/ou agitateurs. Cette garantie ne s'applique qu'à l'acheteur d'origine et ne couvre pas un vice causé par l'abus, le mésusage, la négligence, l'usage à des fins commerciales ou tout autre usage non prescrit dans le mode d'emploi. Cette garantie vous confère des droits juridiques spécifiques et vous pouvez aussi jouir d'autres droits juridiques qui peuvent varier d'un État à un autre ou d'une province à une autre. Certains États ou provinces ne permettent pas les limitations sur les garanties implicites ou les dommages spéciaux ou indirects de telle sorte que les limitations ci-dessus ne s'appliquent peut-être pas dans votre cas.

Si vous désirez procéder à une réclamation en vertu de cette garantie, NE RETOURNEZ PAS L'APPAREIL AU MAGASIN! Veuillez téléphoner au NUMÉRO DU SERVICE À LA CLIENTÈLE. (Pour un service plus rapide, ayez à portée de la main les numéros de série et de modèle et de type de votre appareil lorsque vous communiquez avec un représentant.)

### **NUMÉROS DU SERVICE À LA CLIENTÈLE**

Aux États-Unis 1-800-851-8900

Au Canada 1-800-267-2826

Adresse du site Web : [www.hamiltonbeach.com](http://www.hamiltonbeach.com)

**CONSERVEZ CES NUMÉROS POUR RÉFÉRENCE ULTÉRIEURE!**

HAMILTON BEACH ♦ PROCTOR-SILEX, INC.

263 Yadkin Road, Southern Pines, NC 28387

PROCTOR-SILEX CANADA, INC.

Picton, Ontario K0K 2T0