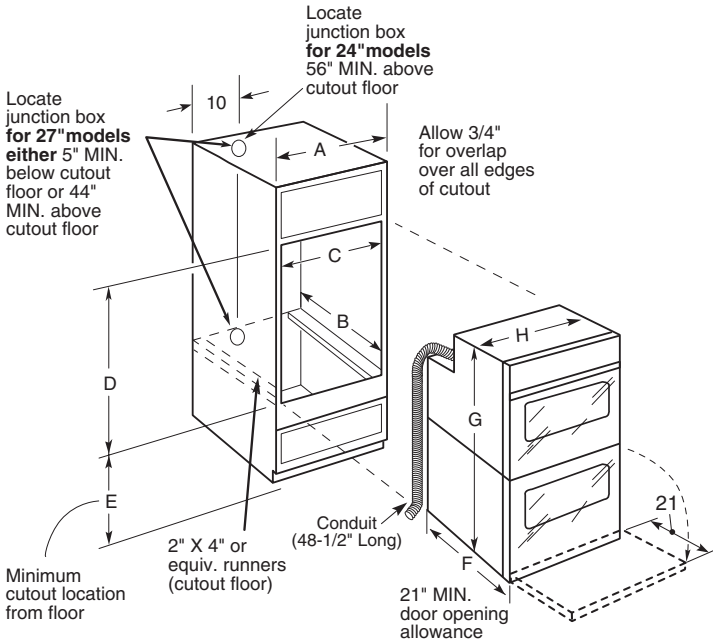


27" built-in double ovens (continued)

27" built-in double oven dimensions (in inches) 27" models PK956, JKP75, JKP55, JKP35



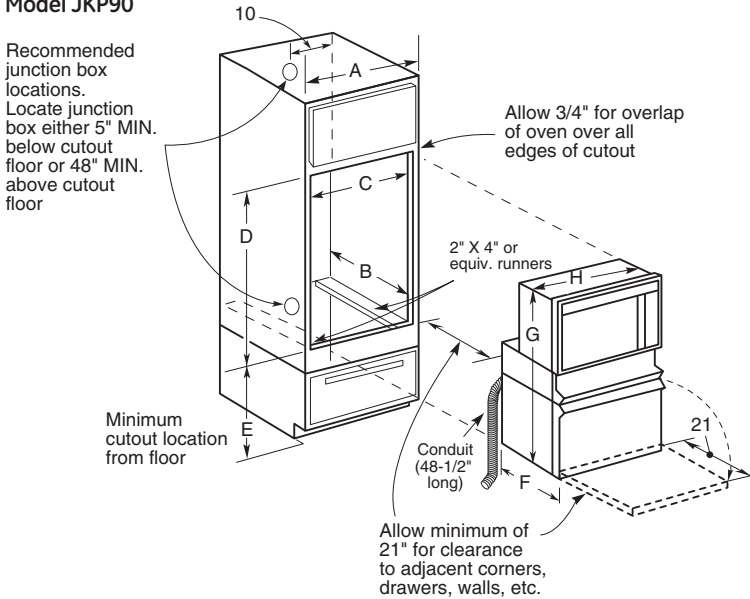
Note: Cabinets installed adjacent to wall ovens must have an adhesion spec of at least a 194°F temperature rating.

Note: If marks, blemishes or the cutout opening is visible above the installed oven, it may be necessary to add wood shims under the runners and front trim until the marks or openings are covered.

Note: Door handle protrudes 3" from door face. Cabinets and drawers on adjacent 45° and 90° walls should be placed to avoid interference with the handle.

27" built-in microwave double oven dimensions (in inches)

Model JKP90



Note: Door handle protrudes 3" from door face. Cabinets and drawers on adjacent 45° and 90° walls should be placed to avoid interference with the handle.

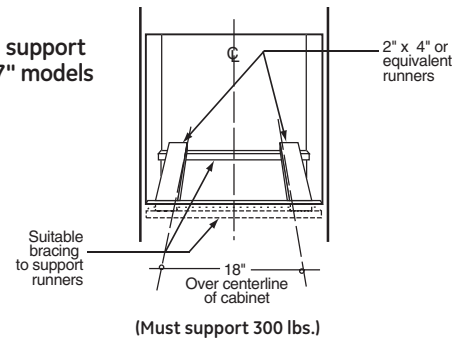
Note: Cabinets installed adjacent to wall ovens must have an adhesion spec of at least a 194°F temperature rating.

Note: If marks, blemishes or the cutout opening is visible above the installed oven, it may be necessary to add wood shims under the runners and front trim until the marks or openings are covered.

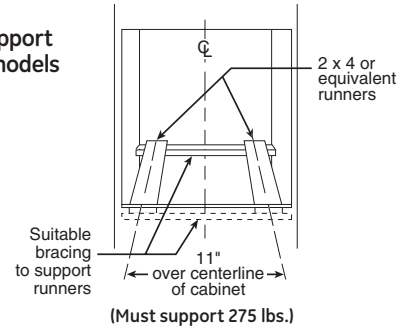
Electric wall ovens are not approved for installation with a plug and receptacle. They must be hard wired in accordance with installation instructions.

Installation information: Before installing, consult installation instructions packed with product for current dimensional data.

Oven support for 27" models

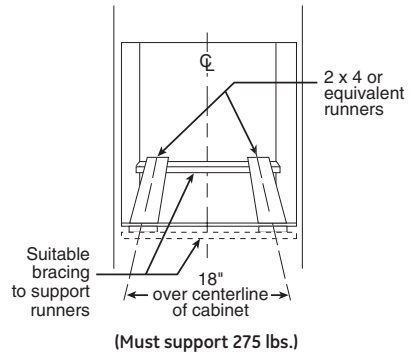


Oven support for 24" models



Cabinet	JKP956/JKP75/55/35
A - Cabinet width required	27" min.
B - Minimum cabinet depth	23-5/8"
C - Opening width	25" min. - 25-1/4" max.
D - Opening height	50-1/8" max.
E - Recommended minimum cutout location from floor	13-1/4"
Oven	
F - Overall depth*	23-5/8"
	w/o trim 51"
G - Overall height with trim	51-7/8" - 52-3/4"
H - Overall width	26-5/8"

*Depth including door handle is approximately 26-7/10" min. to 26-8/10" max. on models PK956, JKP75/55/35.



Cabinet	27"
A - Cabinet width required	27" min.
B - Minimum cabinet depth	23-5/8"
C - Opening width	25" min. - 25-1/4" max.
D - Opening height	41-1/4" max.
E - Minimum cutout location from floor	22"
Oven	
F - Overall depth*	23-5/8"
	w/o trim 42-1/8"
G - Overall height with trim	43" - 43-7/8"
H - Overall width	26-5/8"

*Depth including door handle is approximately 26-7/10" min. to 26-8/10" max.