

JTP30BM/CM/WM

GE® 30" Built-In Single Wall Oven

Dimensions and Installation Information (in inches)

KW Rating	
240V	4.5
208V	3.4
Breaker Size	
240V	20 Amps
208V	20 Amps

Most 30" Wall Cabinets can be used with this unit.

Note: These ovens are not approved for stackable installations.

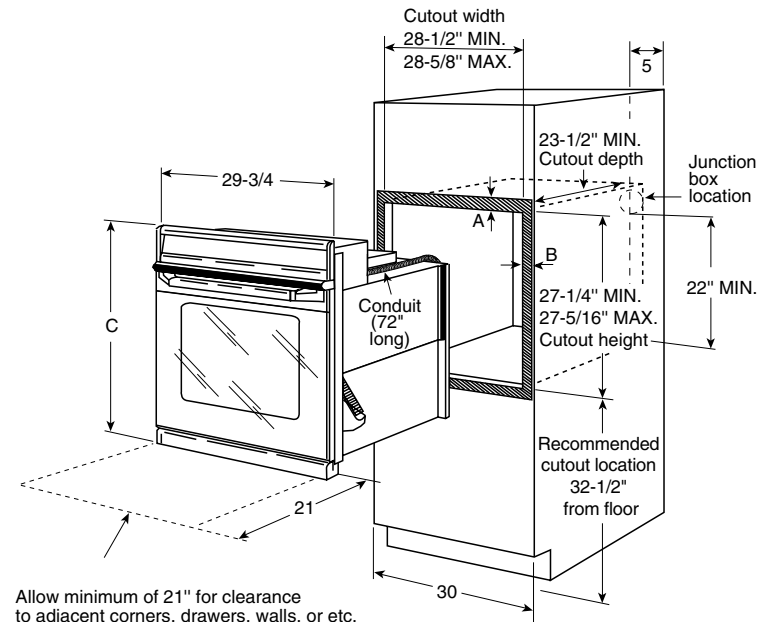
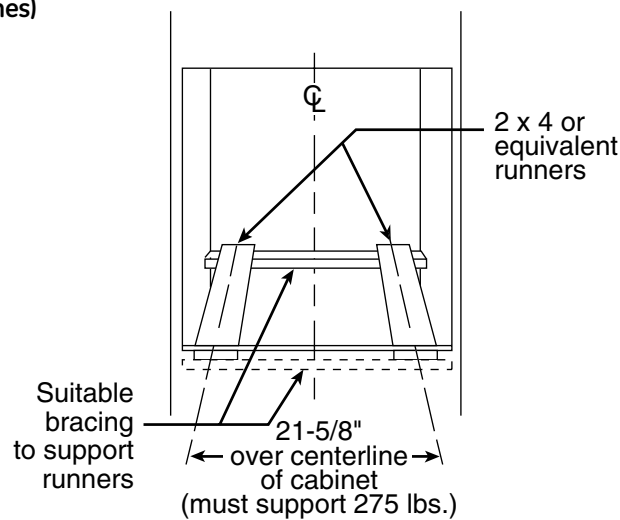
Note: Cabinets installed adjacent to wall ovens must have an adhesion spec of at least a 194°F temperature rating.

Door handle protrudes 3" from door face. Cabinets and drawers on adjacent 45° and 90° walls should be placed to avoid interference with the handle.

Installation Information: Before installing, consult installation instructions packed with product for current dimensional data.

Electric wall ovens are not approved for installation with a plug and receptacle. They must be hard wired in accordance with installation instructions.

Side-by-side installations require at least 2" between cutouts.



Allow minimum of 21" for clearance to adjacent corners, drawers, walls, or etc.

A=Allow 1" overlap of oven over top and bottom edges of cutout.
 B=Allow 11/16"-3/4" for overlap of oven over side edges of cutout.
 C=28-1/4" without trim and 28-3/4" with trim.

For answers to your Monogram®, GE Profile™ or GE® appliance questions, visit our website at ge.com or call GE Answer Center® service, 800.626.2000.

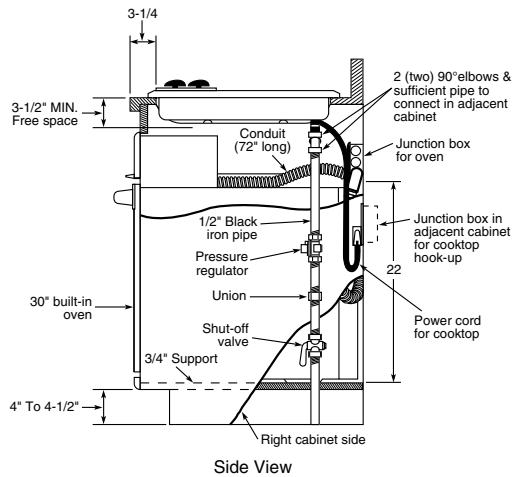


JTP30BM/CM/WM

GE® 30" Built-In Single Wall Oven

Dimensions and Installation Information (in inches)

Optional Undercounter Installation with 36" Gas Cooktop



Note: 36" ribbon cooktops are approved for use over GE 30" single wall ovens only. 30" ribbon cooktops are approved for use over GE 30" and GE 27" single wall ovens. Refer to cooktop and wall oven installation information packed with products for current dimensional data.

Installation Information: Before installing, consult installation instructions packed with product for current dimensional data.

For answers to your Monogram®, GE Profile™ or GE® appliance questions, visit our website at ge.com or call GE Answer Center® service, 800.626.2000.

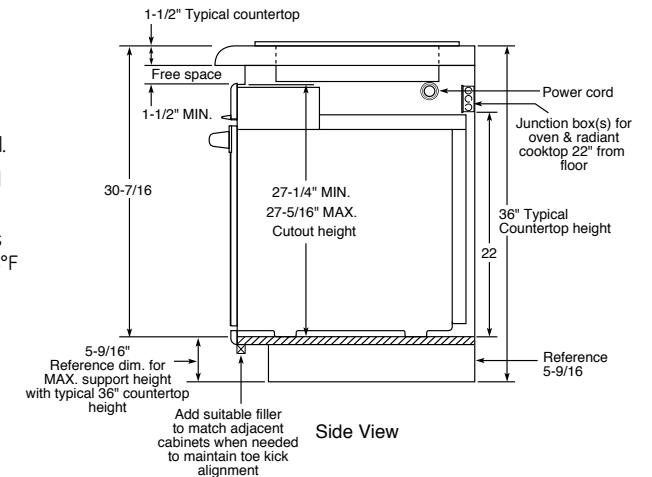


Optional Undercounter Installation With 30" CleanDesign or Sealed Burner Gas Cooktop

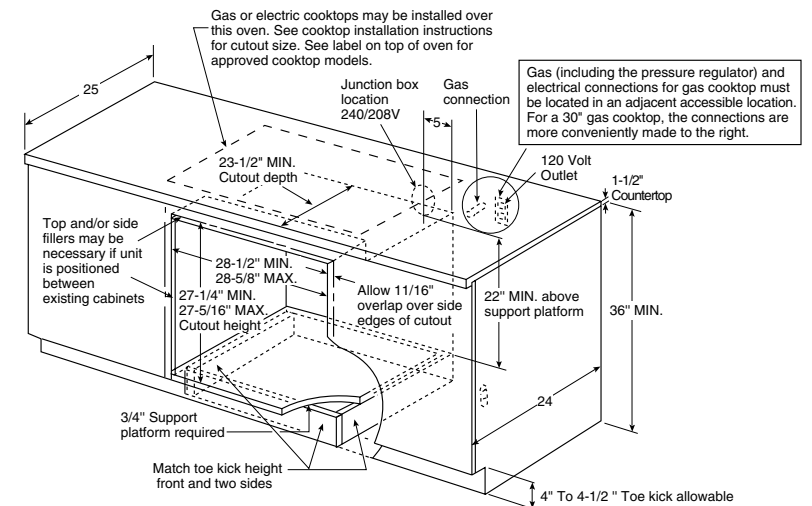
This installation is to achieve minimum gap between bottom of countertop and control panel.

Note: For this installation, the bottom trim will not be flush with a typical 4" toe kick.

Note: Cabinets installed adjacent to wall ovens must have an adhesion spec of at least a 194°F temperature rating.



Undercounter Installation



JTP30BM/CM/WM

GE® 30" Built-In Single Wall Oven

Dimensions and Installation Information (in inches)

Features and Benefits

- Self Clean Oven - Conveniently cleans the oven cavity without need of scrubbing
- Extra-Large Oven Capacity - Provides a large oven interior ideal for cooking more items at once
- Electronic Oven Controls - One-touch electronic pads are easy-to-use and allow for simple oven operation
- TrueTemp™ System - Delivers even heat distribution and maximum oven control
- Hidden Bake Oven Interior - Hides previously exposed bottom element to deliver a clean interior appearance
- Improved Lighting - Positions lamps diagonally across the top of the oven to promote better viewing
- Eight-Pass Bake Element - A powerful, continuous heating element loops throughout the oven, delivering evenly cooked foods
- Two Oven Racks - Feature a durable construction to help accommodate any size or type of cookware
- Model JTP30BMBB – Black on black
- Model JTP30CMCC – Bisque on bisque
- Model JTP30WMWW – White on white

For answers to your Monogram®, GE Profile™ or GE® appliance questions, visit our website at ge.com or call GE Answer Center® service, 800.626.2000.

