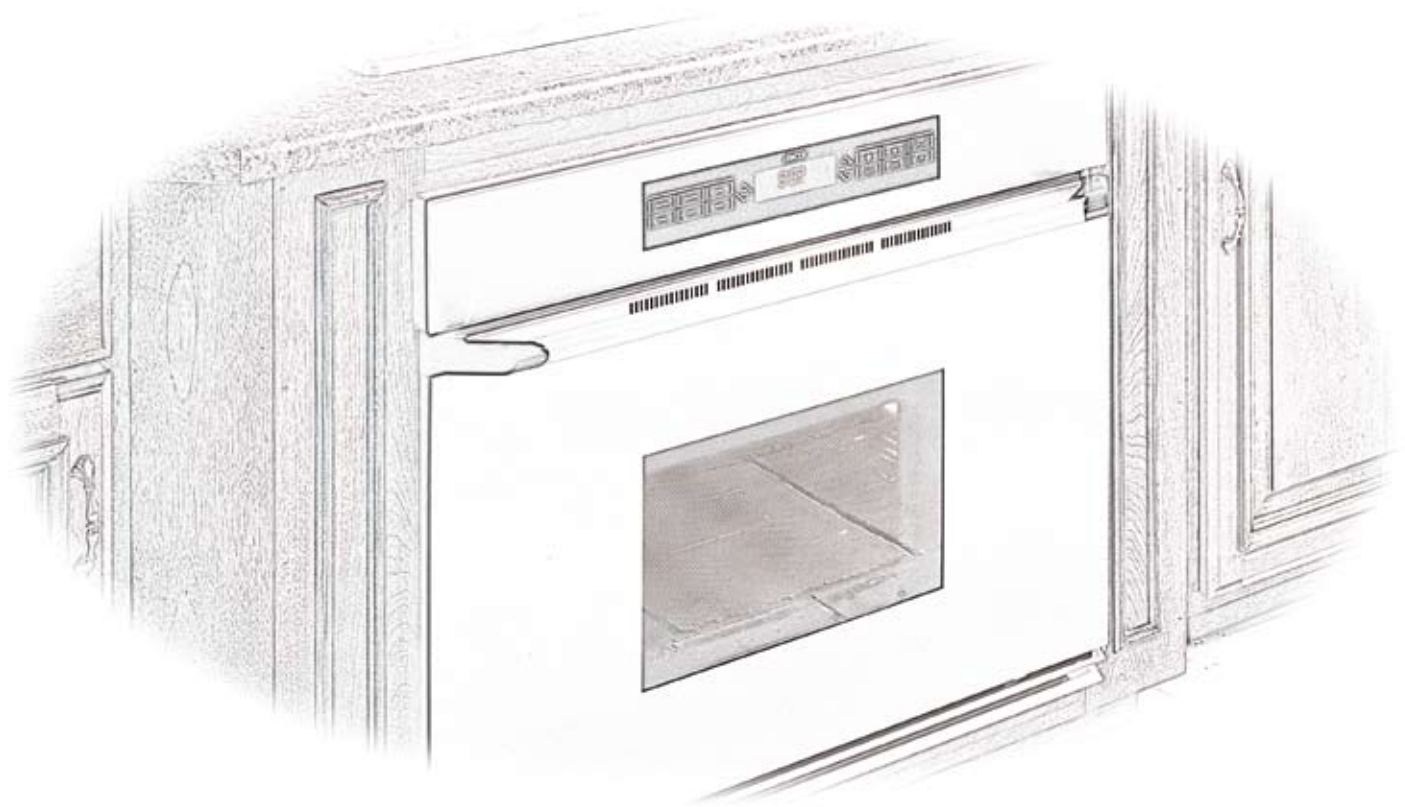


# USE AND CARE MANUAL

## CLASSIC WALL OVEN

For use with ECD, ECS, MCD, MCS, PCD and PCS series models



### Table of Contents

Important Safety Instructions .....	1-2
Oven Operation .....	3-11
Care and Cleaning .....	12-15
Before You Call For Service .....	16-17
Service and Product Warranty .....	18
Notes .....	19-20

Place Serial Number Label Here



To Our Valued Customer:

Congratulations on your purchase of the very latest in Dacor® products! Our unique combination of features, style and performance make us The Life of the Kitchen™, and a great addition to your home.

In order to familiarize yourself with the controls, functions, and full potential of your new Distinctive Appliance, we suggest that you thoroughly read this use and care manual, beginning with the **Important Safety Instructions** section.

All Dacor appliances are designed and manufactured with quality and pride, while working within the framework of our company value. Should you ever experience a problem with your product, please first check the **Before You Call for Service** section of this manual for guidance. It provides useful suggestions and remedies prior to calling for service.

Valuable customer input helps us to continuously improve our products and services, so please feel free to contact our Customer Service Team for assistance with any of your product support needs.

Dacor Customer Service Team  
1440 Bridge Gate Drive  
Diamond Bar, CA 91765

Telephone: (800) 793-0093

Fax: (626) 403-3130

Hours of Operation: Monday through Friday  
6:00 A.M. to 5:00 P.M. Pacific Time

Web Site: [www.Dacor.com](http://www.Dacor.com)

Thank you for choosing Dacor for your home. We are a company built by families for families and we are dedicated to serving yours. We are confident that your new Dacor product will deliver a high level of performance and enjoyment for many years to come.

Sincerely,

*The Dacor Customer Service Team*

# IMPORTANT SAFETY INSTRUCTIONS

**INSTALLER:** LEAVE THESE INSTRUCTIONS WITH THE APPLIANCE.

**CONSUMER: READ THIS USE AND CARE MANUAL COMPLETELY BEFORE USING THIS APPLIANCE. SAVE IT FOR FUTURE REFERENCE. IT CONTAINS IMPORTANT USE AND CARE INFORMATION. KEEP YOUR SALES RECEIPT OR CANCELED CHECK IN A SAFE PLACE. PROOF OF ORIGINAL PURCHASE DATE IS REQUIRED FOR WARRANTY SERVICE.**

If you have any questions, call:

Dacor Customer Service  
(800) 793-0093 (U.S.A. and Canada)  
Monday — Friday 6:00 A.M. to 5:00 P.M. Pacific Time

Web site: [www.Dacor.com](http://www.Dacor.com)

Have the complete model and serial number identification of your appliance ready.

Model Number \_\_\_\_\_

Serial Number \_\_\_\_\_

Date of Purchase \_\_\_\_\_

**For service and warranty information, see page 18.**

Since Dacor is constantly improving the quality and performance of our appliances, we may need to make changes to the appliance without revising this manual.

## Important Information About Safety Instructions

The *Important Safety Instructions* and warnings in this manual cannot cover all possible problems and conditions that can occur. Use common sense and caution when installing, maintaining or operating this appliance.

Always contact the manufacturer about problems or conditions you do not understand.

## Safety Symbols and Labels

### **DANGER**

**DANGER** – Immediate hazards that **WILL** result in severe personal injury or death.

### **WARNING**

**WARNING** – Hazards or unsafe practices that **COULD** result in severe personal injury or death.

### **CAUTION**

**CAUTION** – Hazards or unsafe practices that **COULD** result in minor personal injury or property damage.

### **DANGER**

**IMPORTANT:** To avoid the possibility of explosion or fire, do not store or use combustible, flammable or explosive vapors and liquids (such as gasoline) inside or in the vicinity of this or any other appliance. Keep items that could explode, such as aerosol cans away from the burners and oven. Do not store flammable or explosive materials in adjacent cabinets or areas.

### **WARNING**

**WARNING – NEVER** use this appliance as a space heater to heat or warm the room. Doing so may result in carbon monoxide poisoning and overheating of the appliance.

### **WARNING**

**WARNING - NEVER** cover any slots, holes or passages in the oven bottom or cover an entire rack with materials such as aluminum foil. Doing so blocks air flow through the oven and may cause carbon monoxide poisoning. Aluminum foil linings may also trap heat, causing a fire hazard.

# READ AND SAVE THESE INSTRUCTIONS

# IMPORTANT SAFETY INSTRUCTIONS

## General Safety Precautions

To reduce the risk of fire, electric shock, serious injury or death when using your oven, follow basic safety precautions, including the following:

### WARNING

- If you receive a damaged product, immediately contact your dealer or builder. Do not install or use a damaged appliance.
- Make sure that the oven has been properly installed and grounded by a qualified installer according to the accompanying installation instructions. Have the installer show you the location of the fuse or junction box so that you know where and how to turn off power to the oven.
- Do not install, repair or replace any part of the oven unless specifically recommended in the literature accompanying it. A qualified service technician should perform all other service.
- Before performing any type of service, make sure that the electrical power to the oven is turned off at the circuit breaker or fuse box.
- Only use the oven for cooking tasks expected of a home appliance as outlined in this manual. This oven is not intended for commercial use.
- **DO NOT TOUCH THE INTERIOR SURFACES OF THE OVEN DURING OR IMMEDIATELY AFTER USE.**
- Make sure individuals who use the oven are able to operate it properly.
- Never allow anyone, including children to sit, stand or climb on any part of the oven including the door. Doing so may cause tipping, damage, serious injury or death.
- Do not leave children alone or unattended in the area around the oven. Do not allow children to play with the controls, pull on the handle(s) or touch other parts of the oven. Do not store items of interest to children above the oven. Children could be burned or injured while climbing on the appliance.
- Do not tamper with the controls.
- To prevent the unit from tipping forward and to provide stable installation, make sure the oven is secured to the cabinet according to the accompanying installation instructions.
- Do not heat unopened food containers such as baby food jars and cans. Pressure build up may cause the container to burst and cause injury.
- Do not use water on grease fires. A violent steam explosion may result. Smother any flames with a lid, cookie sheet or flat tray. Use baking soda or a foam extinguisher to extinguish flaming grease. Be careful to avoid getting burned.
- Keep flammable items, such as paper, cardboard, plastic and cloth away from and out of the oven. Do not allow pot holders to touch hot surfaces.
- Do not use towels or bulky cloth as pot holders. Do not wear loose or hanging apparel while using the oven. Do not allow clothing to come into contact with the interior of the oven and surrounding areas during and immediately after use.

### WARNING

- Do not use the oven for storage.
- Clean and maintain the oven regularly as instructed in this manual. Keep the entire oven free of grease that could catch fire. Clean only those parts listed in this manual.
- Do not touch the outside surfaces of the oven during the self-clean cycle. They will be hot.
- Use cookware only for its intended purpose. Check the manufacturer's recommendations before use to determine if a utensil is suitable for use in an oven. Certain types of glass, ceramic and earthenware are not suitable for use in the oven. Personal injury or damage may result from the improper use of cookware.
- Exercise caution when opening the oven door. Let hot air or steam escape before looking or reaching inside.
- Use extreme caution if adding water to food in the oven. The steam can cause serious burns or scalds.
- Use only dry pot holders when removing food and cookware from the oven. Wet pot holders can cause steam burns.
- For your safety, do not use the oven to cook without the convection filter(s) installed. When the filter is not installed, the spinning fan blades at the back of the oven are exposed.
- Do not allow food to sit in the oven for more than one hour before or after cooking. Eating spoiled food can result in food poisoning.
- Do not leave metal objects, such as aluminum foil, the meat probe or cookie sheets on the bottom of the oven. Do not allow the broil elements on the ceiling of the oven chamber to be covered up. Do not line the oven with aluminum foil or other materials. Doing so may cause the oven or the items in it to overheat, creating a fire hazard or causing property damage.
- Non-stick coatings, when heated, can be harmful to birds. Remove birds to a separate, well-ventilated room during cooking.
- Before Self-Cleaning the oven, remove the broiler grill and pan, oven racks, convection filter and any other utensils, and wipe up excess spills. **DO NOT LEAVE FOOD OR COOKING UTENSILS, ETC., IN THE OVEN DURING THE SELF-CLEAN CYCLE.**
- Do not clean the door gasket, because rubbing, moving or in any way damaging the gasket, may eliminate the required tight door seal.
- Do not use commercial oven cleaners or oven liner protective coatings on any part of the oven. Do not use caustic cleaners or detergents on this appliance, as these may cause permanent damage. Do not use aerosol cleaners, as these may be flammable or cause corrosion of metal parts.
- Do not allow acids (citrus juices, tomato sauces, etc.) to remain on the oven cell surfaces. The porcelain finish may stain.

# OVEN OPERATION

## Getting Started

Before using your oven, become familiar with the features and control panel layout (see pages 4 and 5).

Below the oven mode touch keys are three touch keys labeled **CANCEL • SECURE**, **LIGHT** and **COOK TIME**. The **CANCEL•SECURE** key enables the user to cancel the selection of an oven mode or delay timed program, or disable the control panel. The **LIGHT** key turns the interior oven light on and off. The **LIGHT** key will remain functional if the control panel has been disabled. The **COOK TIME** key is used to select the length of time for a cooking process in delay timed cooking mode.

Clock functions are selected by pressing the keys located below the clock display and oven mode keys. Oven functions are chosen by pressing the key for the desired mode. Once a clock or oven function has been chosen, a description of the selection will flash in the clock display area.

**IMPORTANT:** After choosing a clock function or oven mode, you have six seconds to perform the next programming step. If the next step is not complete within six (6) seconds, the program selection displayed on the clock will disappear. Should this occur, just repeat the initial function selection.

## Setting The Time Of Day

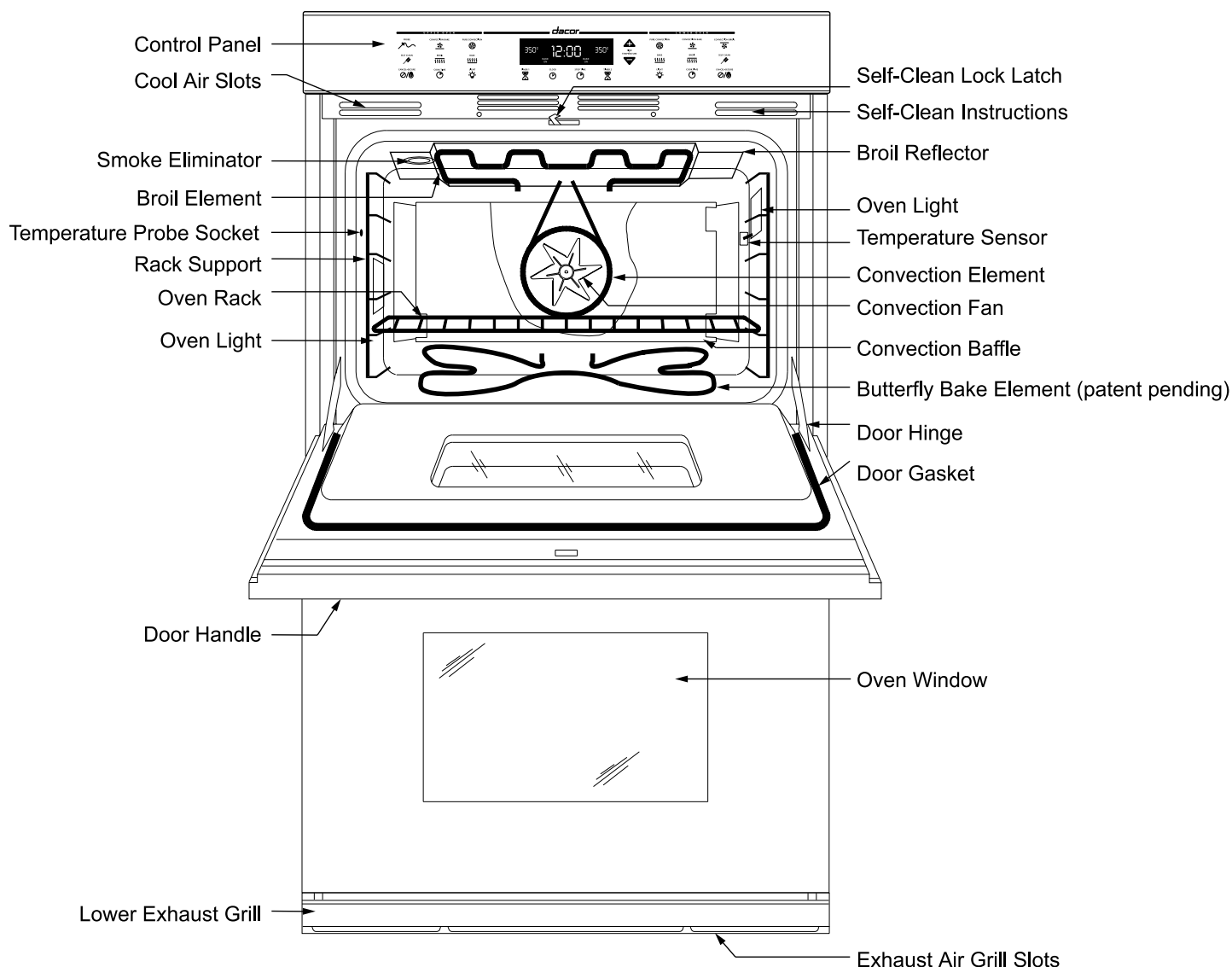
Follow these two steps to set the correct time of day:

1. Press the **CLOCK** key. The time of day will flash, “**AM**” or “**PM**” will be displayed, and “**TIME**” will flash in the display.
2. Press the key “**+**” or “**-**” until the correct time of day is displayed and release.

## Securing the Controls

To avoid accidentally turning the oven on, activate the secure feature. Press and hold the **CANCEL • SECURE** key for approximately three seconds. Doing so will disable the control panel and allow cleaning the controls without accidentally starting any functions. Three beeps will sound and “**OFF**” will appear in the display when the control panel has been secured.

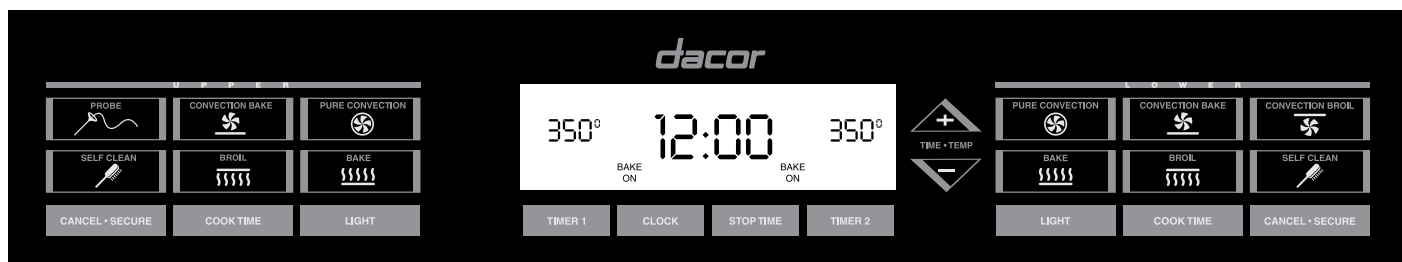
To re-activate the control panel, again push and hold the **CANCEL • SECURE** key for three seconds. Three beeps will sound and “**OFF**” will disappear from the display.



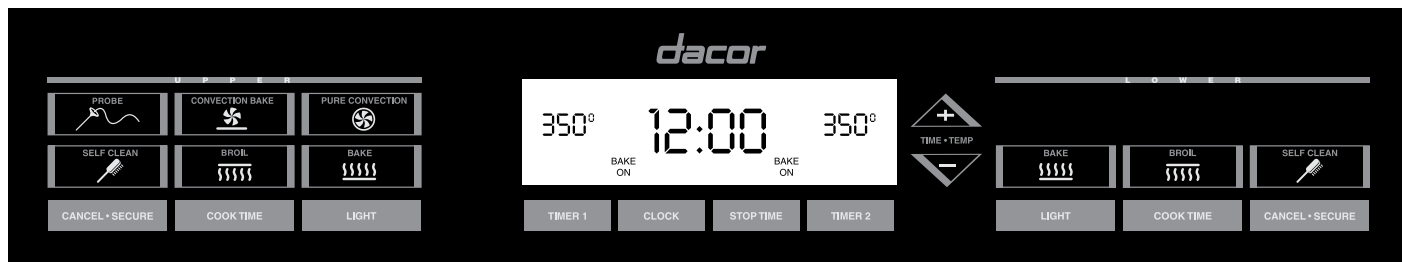
Oven Features

# OVEN OPERATION

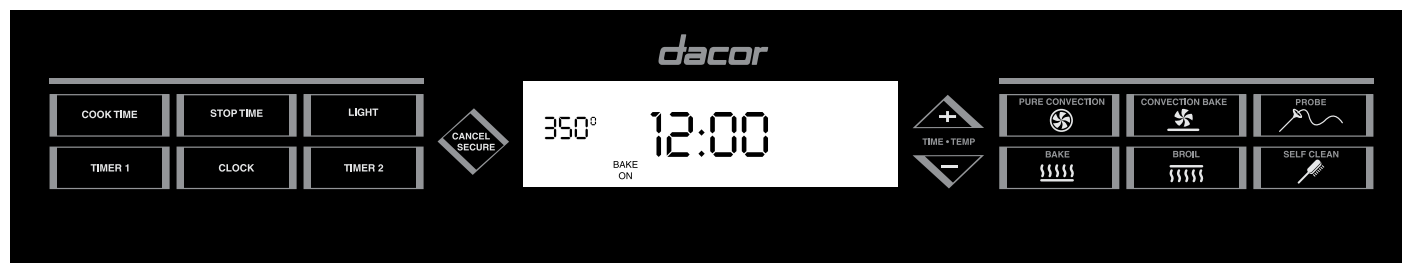
## Control Panel



Control Panel - Epicure® Models ECD227 and ECD230



Control Panel - Epicure® Models ECS227 and ECS230



Control Panel - Epicure® Models ECS127, ECS130 and ECS136



Control Panel - Millennia™ Models MCD227 and MCD230

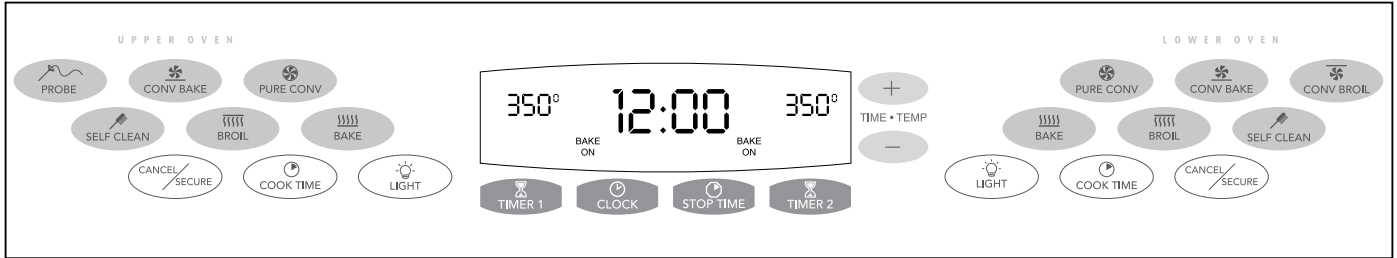


Control Panel - Millennia™ Models MCS227 and MCS230

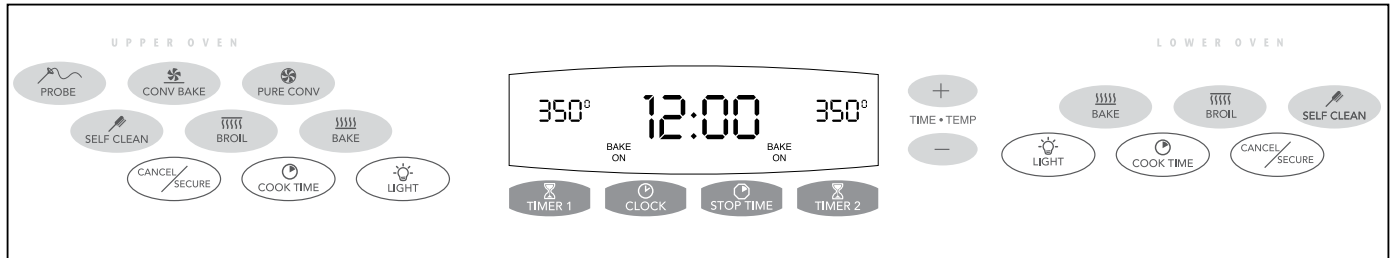
# OVEN OPERATION



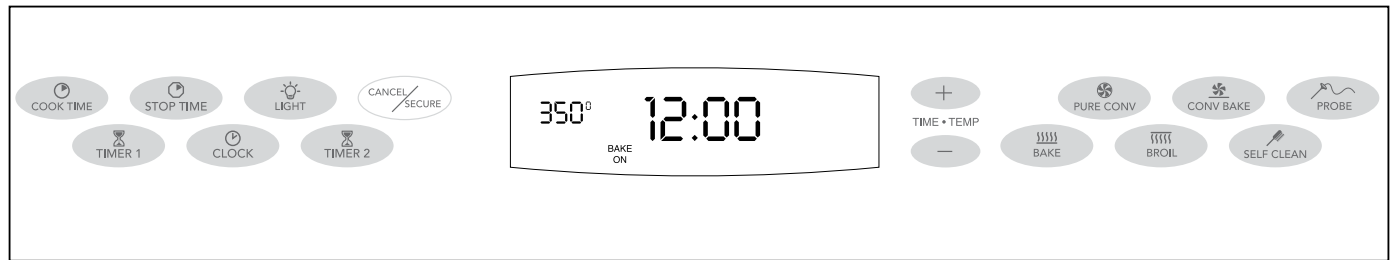
**Control Panel - Millennia™ Models MCS127 and MCS130**



**Control Panel - Preference™ Models PCD227 and PCD230**



**Control Panel - Preference™ Model PCS230**



**Control Panel - Preference™ Model PCS130**



# OVEN OPERATION

## Oven Racks and Support

Three chrome-plated convection racks are provided in the oven. Always remember to position the racks prior to heating the oven. Also, remove the oven racks prior to self-cleaning to prevent permanent discoloration of the racks.

The porcelain rack supports provide six heights for positioning of the oven racks.

To install a rack, align the left and right edges of the rack with the horizontal guide rails of the rack supports, then slide the rack into the oven.

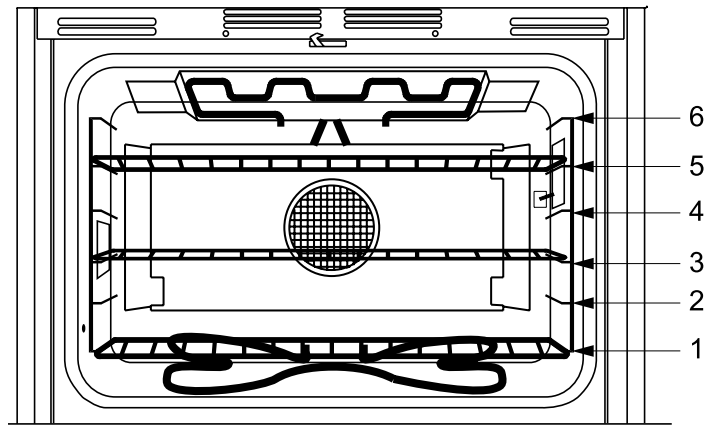
## GlideRack™ Oven Rack

Dacor's GlideRack oven rack is designed to install effortlessly and glide at a full extension. The full extension of the rack allows you to slide pizza on and off with great ease when using Dacor's optional pizza stone (model number ABS20). It is also great for large roasts in large roasting pans. It will also allow you to baste more easily and check temperatures of the food more safely and quickly.

**NOTE:** When fully extending the rack while in the first position, the rack may rest on the inner door.

### Installation:

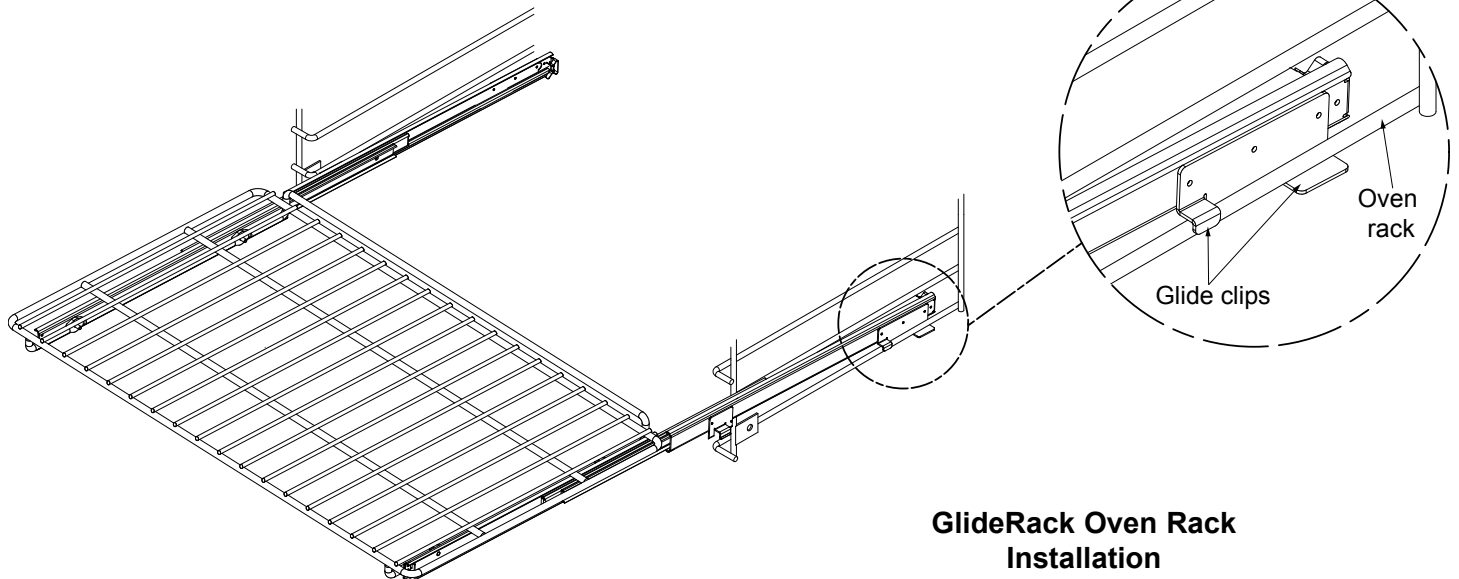
1. Fully extend the two side guides. Align the two small clips on the bottom at the rear of the rack with the black porcelain rack guides in the oven.
2. Begin to slide the rack in, then lift up. The GlideRack oven rack must be in between the two clips on the upper and lower side of the rack rear.
3. Push the rack all the way to the back.
4. Grasp the rack in the front center and pull. The rack should come forward while the side guides remain in place.



Oven Rack Positions

### Helpful Hints When Using Your GlideRack Oven Rack

- The GlideRack oven rack works particularly well with heavier items, but you can use it during any type of baking, broiling or roasting in your Dacor oven.
- The GlideRack racks need to be spaced out when using more than one in the oven at a time. For instance, they should be used in rack positions 1, 3 and 5 or 2 and 4, counting up from the bottom, instead of positions 2, 3 and 4.
- When using the GlideRack rack with Dacor's ABS20 baking stone, use rack position 1 for best results.
- Heavier roasting pans and dishes will also cook better on rack position 1.
- Do not leave any of the racks in the oven during self-clean. They may be damaged and/or will become difficult to slide in and out if self-cleaned. In addition, remove the convection filter in the back of the oven before self-cleaning.
- To clean the racks, use hot, soapy water and the rough side of a sponge.



GlideRack Oven Rack Installation



# OVEN OPERATION

## Oven Modes

All oven modes are described below:



**STANDARD BAKE** – In standard bake mode, the bottom heating element provides conventional radiant heat. Temperatures may be set from 135°F to 555°F in 5°F increments. Use standard bake for single rack baking and roasting.



**STANDARD BROIL** – The high wattage, top heating element supplies the heat in Broil mode. The broil temperature is adjustable from 135°F, to the “HI” setting (equivalent to 555°F) for greater cooking flexibility. Broiling is always performed with the door closed.



**CONVECTION BROIL** – The high wattage, top heating element supplies the heat in broil mode in combination with the convection fan for better heat distribution. The broil temperature is adjustable from 135°F to the “HI” setting (equivalent to 555°F) for greater cooking flexibility. This mode is available only on models ECD230, PCD230, and MCD230. Convection broil is always performed with the door closed.



**PURE CONVECTION**™ – In Pure Convection mode a third heating element, encircling the convection fan located in the rear of the oven chamber, acts as the heat source. The convection fan draws air from the oven chamber, then forces it across the hot convection heating element. The heated air is directed back into the oven chamber through the convection baffle. The baffle distributes the heated air evenly to ensure uniform results. Temperatures may be set from 135°F to 555°F in 5°F increments. Use this mode for single rack baking, multiple rack baking, roasting and preparation of complete meals.



**CONVECTION BAKE** – In this combination convection-radiant mode, the lower element provides the heat. As in Pure Convection mode, the convection fan and baffle combine to circulate heated air evenly throughout the oven chamber. Temperatures may be set from 135°F to 555°F in 5°F increments. Use this mode for single rack baking, multiple rack baking and roasting.



**TEMPERATURE PROBE** – The temperature probe can be used in combination with standard bake, Pure Convection, or convection bake modes. The temperature probe takes the guesswork out of roasting by cooking food to the exact internal temperature you desire. The temperature range that the probe will read is from 100°F to 200°F.



**SELF-CLEAN** – In the pyrolytic self-clean mode, the oven reaches temperatures of 850°F, thereby burning off oven soil automatically. The self-clean time is adjustable up to four hours so that varying degrees of oven soil can be successfully removed. Also, the self-clean cycle can be delayed to start at a later time if desired.

## Oven Mode Selection

Follow these steps to manually operate the oven in standard bake, Pure Convection or convection bake mode:

1. Position oven rack(s) at the proper height(s).
2. Press the **BAKE**, **PURE CONVECTION** or **CONVECTION BAKE** key. The oven will beep once, the selected cooking mode will flash, and “- - -” will be displayed.
3. Press either the “+” or “-” key. The default temperature of 350°F will be displayed.
4. To adjust the cooking temperature from 350°F, press and hold the **TIME • TEMP** key. (Press “+” key to increase the temperature setting, “-” to decrease). “PRE” and “ON” will appear in the clock display, and the oven will begin to heat. The convection fan will turn on to help stabilize the oven temperature during pre-heat. In standard bake mode, the convection fan will turn off once the desired temperature is attained. If in a convection mode, the convection fan will turn on. Also, the clock display will change from the desired cooking temperature to the actual oven temperature, starting with 135°F. The temperature display will increase in 5°F increments until the desired temperature is reached. The cooling fan will turn on when the oven temperature reaches 200°F. When the desired temperature is attained, the pre-heat cycle is complete. The clock will beep once and “PRE” and “ON” will disappear from the display. (From this time forward, the “ON” display will cycle on and off with the heating elements.)
5. Carefully place the food onto the desired rack(s) within the pre-heated oven.
6. It is recommended that you set a minute timer to time the cooking process (see page 11).
7. When the time expires and/or the food is done cooking, press the **CANCEL • SECURE** key to turn off the oven.

### Pre-Heating the Oven

The oven features an automatic pre-heat cycle that rapidly brings the oven chamber up to temperature. Simply by choosing a cooking mode and setting a temperature, the oven will automatically perform the pre-heat function. The pre-heat cycle operates in standard bake, Pure Convection and convection bake modes. There is no pre-heat cycle for the broil or convection broil modes.

### NOTE:

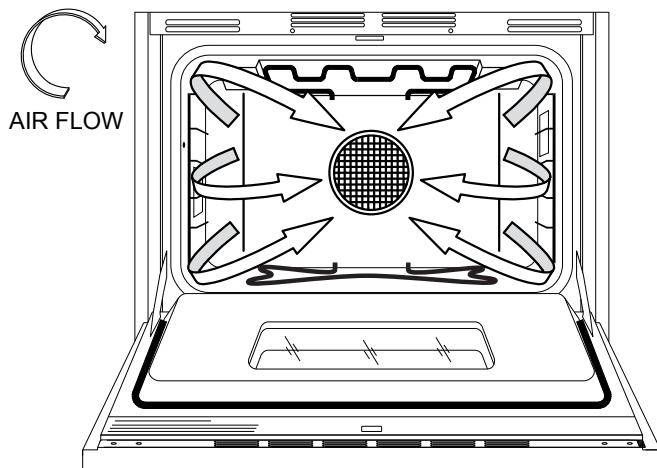
- For faster heat up, the broil element comes on during pre-heat. For best results, allow the oven to pre-heat prior to placing food inside.

# OVEN OPERATION

## What Is Pure Convection?

Your new oven has the best cooking system available today, Pure Convection. Pure Convection is a total system approach to cooking. The heat source is a third element outside the cooking cell behind a baffle. Not only does the baffle separate the food from the heat source, it channels the air from the convection fan evenly into the cell eliminating any hot or cool spots in the oven. This system is what allows multi-rack cooking while achieving even results from one rack to another.

The other component in Pure Convection is the filter. The filter eliminates the transference of flavors when cooking entire meals and also keeps the oven cleaner.



Heated Air Circulation in Convection Modes

## Baking and Roasting Tips

All modes can be used to successfully prepare meals using standard recipes or your own personal favorites.

Because of variations in food density, surface texture and consistency, there are a few foods that may be prepared more successfully in the standard bake mode. For this reason, standard bake mode is recommended when preparing baked goods such as custard. The user may find other foods that are also prepared more consistently in standard bake mode. This is perfectly normal.

- As a general rule, to convert conventional Standard Bake recipes to convection recipes, reduce temperature by 25°F and the cooking time by approximately 10%.
- Some recipes, especially those that are homemade, may require adjustment and testing when converting from standard to convection modes. If unsure how to convert a recipe, begin by preparing the recipe in standard bake mode. After achieving acceptable results this way, follow the convection guidelines listed. If the food is not prepared to your satisfaction during this first convection trial, adjust only one recipe variable at a time (such as cooking time, rack position or temperature) and repeat the convection test. If necessary, continue adjusting one recipe variable at a time until satisfactory results are achieved. See **Common Baking Problems** on the facing page for additional information.
- Do not open the oven door frequently during baking. Look through the door window to check the progress of baking whenever possible.
- Use the minute timers to time baking functions (see page 11).

- Wait until the shortest recommended baking time before checking food. For baked goods, a wooden pick placed in the center should come clean when the food is done.
- Place pans carefully on the oven racks. Turn pans on the racks so that the long sides run left to right, parallel to the door.
- Adjustments to recipe times and temperatures need to be made when baking at high altitudes. Consult a cookbook on high-altitude cooking.

### Bakeware Tips:

- Cakes, quick breads, muffins and cookies should be baked in shiny, reflective pans for light, golden crusts.
- Medium gauge aluminum sheets with low sides should be used when preparing cookies, biscuits and cream puffs.
- Bake most frozen foods in their original foil containers placed on a flat cookie sheet. Follow the package recommendations.
- When using glass bakeware, reduce the recipe temperature by 25°F, except when baking pies or yeast breads. Follow the standard recipe baking time for pies and yeast breads.

## Multiple Rack Baking

The uniform air circulation provided by Pure Convection cooking enables the full oven capacity to be utilized. Many foods, such as pizzas, cakes, cookies, biscuits, muffins, rolls and frozen convenience foods can be successfully prepared on either two or three racks at the same time. Additionally, complete meals can be prepared by using multiple racks. See below for specific recommendations. Follow the steps in the **Oven Modes** section to manually operate the oven, or refer to the **Delay Timed Cooking** section below for automatic operation.

### Multiple Rack Baking Tips:

- Typically, when baking on two racks, use rack positions 2 and 4 or 3 and 5. When baking on three racks, use rack positions 1, 3 and 5.
- When adapting a single rack recipe to multiple rack baking, it may be necessary to add to the baking time. This is due to the extra amount of food in the oven.

## Broiling

Broiling is a quick and flavorful way to prepare many foods, including steaks, chicken, chops, hamburgers and fish. Broiling in the oven is performed with the oven door completely shut. It is normal and necessary for some smoke to be present to give the food a broiled flavor. The broil temperature may be adjusted in 5°F increments from 135°F up to the maximum setting of "HI". The "HI" setting is equivalent to 555°F.



Clock Displaying Broil (double oven)

# OVEN OPERATION

## To operate the oven in standard broil or convection broil modes:

1. Close the door tightly.
2. Press the **BROIL** or **CONVECTION BROIL** key.
3. Press the **TIME • TEMP +** or **TIME • TEMP –** key and the default temperature setting “**HI**” will be displayed. “**HI**” is equivalent to 555°F.
4. If a temperature other than “**HI**” is desired, press the **TIME • TEMP –** key to reduce the temperature. Six seconds after setting the temperature, the “**ON**” indicator will light up in the clock display, the broiler element will begin heating.
5. Dacor recommends that you set the minute timer(s) to time the broiling process (see page 11).
6. When the minute timer expires and/or the food is cooked, press the **CANCEL • SECURE** key to turn off the oven. The cooling fan will continue to run for 30 to 45 minutes depending upon the length and temperature of the broiling process.

## BROILING TIPS:

1. Always use a broiler pan and grill to provide drainage for excess fat and grease. Doing so will reduce spatter, smoke and flare-ups.
2. Pre-heat the broiler for 10 minutes prior to cooking.
3. Begin with a room temperature broiler pan for even cooking.
4. Use tongs or a spatula to turn and remove meats. Never pierce meat with a fork. The natural juices will escape.
5. Broil food on the first side for slightly more than half of the recommended time, then season and turn. Season the second side just before removing.
6. To prevent sticking, lightly grease the broiler grill. Excess grease will result in heavy smoke. For easier cleaning, remove the broiler pan and grill when the food is removed. While the pan and grill are still warm, soak the pan and grill in a solution of hot water and dishwashing liquid, then scrub them with an abrasive pad.

## Common Baking Problems

PROBLEM	PROBABLE CAUSE	CORRECTION
Cookies and biscuits burn on the bottom.	Oven door opened too often	Use door window to check food or set minute timer to shortest recommended time and check food when timer beeps.
	Incorrect rack position being used. Pan too close to bake element.	Change rack position. Use Pure Convection mode.
	Standard bake or convection bake mode being used.	Use Pure Convection mode.
Cookies and biscuits are too brown on top.	Rack position being used is too high.	Change rack position.
	Food was placed in the oven during pre-heat.	Wait until oven is pre-heated
Cakes burn on the sides or are not done in center.	Oven was too hot.	Reduce temperature.
Cakes crack on top.	Oven temperature was too high.	Reduce temperature.
Cakes are not level.	Oven and/or oven rack was not level.	Level oven and rack as needed.
Pies burn around edges or are not done in center.	Oven was too hot.	Reduce temperature.
	Dark, heat absorbing pan being used.	Use shiny, reflective pans.
Pies are too light in color on top.	Oven was not hot enough.	Increase oven temperature.
	Oven and/or rack over crowded.	Reduce number of pans.

## Delay Timed Cooking

This function allows the user to finish and/or start a cooking cycle automatically. It is especially useful for preparing meals in advance or cooking while you are at work or play. Timed cooking can only be used with standard bake, Pure Convection and convection bake modes. Timed cooking does not function in the broil modes.

### IMPORTANT:

- **COOK TIME** refers to the length of the cooking cycle. It does not refer to the start time.
- The time required to pre-heat the oven must be included in the **COOK TIME**. Allow for about 8 to 12 minutes pre-heat time depending upon the temperature setting. The top element does not come on to pre-heat in the delay mode, so you will not pre-maturely brown foods.

### WARNING

Food safety is an important consideration when using delayed cooking modes. To avoid potential sickness and spoiling of food, take the following steps:

- Avoid using foods that will spoil while waiting for the cooking cycle to begin. Typical foods to avoid include those containing eggs and dairy products, cream soups, and cooked or uncooked meats, poultry and fish.
- If cooking will not begin immediately, place only very cold or frozen food into the oven. Most unfrozen foods should never stand in the oven for more than two hours before cooking begins.
- Do not allow foods to remain in the oven more than one hour after completion of the cooking cycle. When the temperature drops below 140°, bacteria can develop.

# OVEN OPERATION

## Delay Timed Cooking (Continued)

To begin cooking immediately and turn off at the desired time:

1. Position oven rack(s) at the proper height(s).
2. Place the food onto the center of the oven rack(s).
3. Select the desired cooking mode and temperature.
4. Press the **COOK TIME** key and “**TIME**” will appear in the clock display. Press the **TIME • TEMP +** key to set the length of time that the food will be cooked. The cook time can be set from 5 minutes to 11 hours, 50 minutes.



### Setting the Oven for Delay Timed Cooking

5. After the cook time has expired, the clock will beep three times, and “**Hold**” will be displayed. If cooking in a convection mode, the convection fan will also turn off at this time. While in hold mode, the oven temperature will be maintained at 150°F for a period of two hours. Hold mode can be cancelled by pressing the **CANCEL • SECURE** key. The cooling fan will continue to run depending upon the length and temperature of the cooking process.

To start at a later time and finish at the desired time:

1. Follow steps 1 thru 4 in the previous instructions for timed cooking.
2. Press the **STOP TIME** key.
3. “**STOP**” will appear in the clock display. Press the **TIME • TEMP +** key to enter the time of day that you wish the oven to shut off. “**DELAY**” will appear on the display. The oven will calculate the correct start time. After the cook time has expired, the clock will beep three times, and “**Hold**” will appear on the display. If cooking in a convection mode, the convection fan will also turn off at this time. While in hold mode, the oven temperature will be maintained at 150°F for a period of two hours. Hold mode can be cancelled by pressing the **CANCEL • SECURE** key. The cooling fan will continue to run depending upon the length and temperature of the cooking process.

#### NOTE:

- For double ovens, both the upper and lower chambers can be set for delay timed cooking. However, both chambers must have the same cook times and stop times.
- Do not use foods containing baking powder or yeast in delay timed cooking mode. These foods will not rise properly.

## Using the Meat Probe

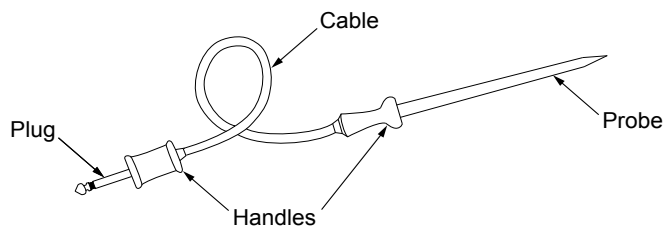
For many foods, especially roasts and poultry, internal food temperature is the best test for properly cooked food. The meat probe takes the guesswork out of roasting by cooking food to the exact temperature you desire.

### Important things to know about the meat probe:

- Double oven models have a meat probe connector in the upper oven only.
- If the internal temperature of the meat you are cooking is less than 55°F, you need to wait to insert the meat probe for proper operation.
- Make sure the food is completely defrosted before inserting the meat probe to avoid breaking the probe.
- For fully defrosted meat: allow it to come to room temperature by leaving it out for at least 15 minutes, but no more than 2 hours. Fully defrosted meat allowed to come to room temperature before cooking can improve cooking results for searing, roasting and meat cooked rare.
- For partially frozen meat: first fully defrost and follow the steps above.
- To avoid the possibility of burns, unplug the meat probe using hot pads.
- To prevent damage, use the handles of the meat probe and plug to insert and remove them from the food and connector. Do not use tongs to pull on the cable when removing the probe.
- Never leave the meat probe inside the oven when the oven is not in use and especially during self-clean mode.
- To prevent damage to the oven, do not use probes other than the one provided with your wall oven.

### Probe Placement:

1. Lay the probe on the outside of the meat along the top or side and mark with your finger where the edge of the meat comes to the probe. The point should rest in the center of the thickest meaty part of the roast.



### Meat Probe

2. Insert the probe into the meat to the point marked by your finger. The probe should not touch the bone, fat, gristle or the bottom of the pan.
  - For roasts with no bone, insert the probe into the side of the roast in the center. For bone-in ham or lamb, insert the probe into the center of the lowest large muscle or joint.
  - For dishes such as meat loaf or casseroles, insert the probe into the center of the dish. When cooking fish, insert the probe from just above the gill into the meatiest area, parallel to the backbone.
  - Insert the probe into the meatiest part of the inner thigh from below, and parallel to the leg of a whole turkey.



# OVEN OPERATION

## Setting the Oven When Using the Temperature Probe:

1. Pre-heat the oven to the desired temperature.
2. Insert the meat probe into the food. (See **Probe Placement**).
3. After the oven cell has reached the desired temperature, place the food into the oven.
4. Wearing an oven mitt, lift the meat probe connector cover in the oven and plug in the meat probe. The connector is located on the left inside oven wall near the front of the oven. Make sure the plug is pushed all the way in.
5. Close the oven door.
6. Press the **PROBE** key. The display will flash "**PRB**" and beep if the probe is not connected properly.
7. Adjust the temperature to the desired setting using the **TIME • TEMPERATURE** keys. A "jump-in" temperature of 160° will appear when the **TIME • TEMPERATURE** key is first pressed. To change to a different temperature, press the **TIME • TEMPERATURE** key repeatedly until you reach the desired temperature. The temperature can be set from 100-200°F. See the chart below for the **Minimum Safe Internal Temperatures for Various Foods**.
8. After the temperature is set, the control panel temperature readout will default to 95°F, even if the food has not reached that temperature. The temperature readout will increase in 1°F increments until the food reaches the set temperature.
9. The oven will go into hold mode for 2 hours after the internal temperature of the food has reached the desired temperature and will hold the oven temperature at 150°F. The residual heat of the oven will cause the internal temperature of the food to continue to climb. Use hot pads to remove the meat probe from the food.

### NOTES:

- After meat is pulled out of the oven, it will continue to cook. Carry-over cooking affects all foods. The larger the item, the longer the carry-over. It is best to let the meat rest after it comes out of the oven for 10 to 15 minutes. Doing so allows meat to retain its juices and continue to set, making it easier to carve.
- If the probe is left attached to the connector when not in use, the control panel will beep and flash "**PRB**" until the probe is unplugged. Unplugging the probe from the oven turns the oven off.

Minimum Safe Internal Temperatures for Various Foods	
Type and Cut	Internal Temp.
Pork, ham, sausage and bacon	180°F
All foods previously served and cooled that are reheated	165°F*
All poultry and game birds (turkey, chicken, cornish game hen, duck, etc.)	180°F
Stuffed meats	165°F
Stuffing	165°F
Fish and most other potentially hazardous food not listed in this table	165°F
Beef steaks (rare)	145°F
Beef roasts (rare)	145°F

\* Within two hours

## Dehydrating/Defrosting

The oven can be used to dehydrate or defrost foods at low heat settings in Pure Convection mode.

### Follow these steps to dehydrate or defrost foods:

1. Position oven rack(s) at the proper height(s).
2. Place the food onto the center of the oven rack. For dehydrating, prepare food as recommended then place food onto a drying rack.
3. Press the **PURE CONVECTION** key.
4. Set the temperature to 135°F, the minimum temperature that can be set. For dehydrating, a higher temperature setting may be required. Follow the recommended temperature for the type of food being prepared.
5. Dacor recommends that you set the minute timer(s) to time the process (see page 11).

## Using the Minute Timer

The clock features two timers that may be used to time cooking or other processes up to 11 hours 50 minutes in length.

### To use the minute timer:

1. Press the key labeled **TIMER 1**, or **TIMER 2**. The clock will display "**00:00**", and "**TIMER 1**" or "**TIMER 2**" will flash.
2. Press the **+** key repeatedly until the desired time is displayed on the clock.
3. After **TIMER 1** has expired, the clock will sound off with one second beeps and "**TIMER 1**" will appear in the display. After the **TIMER 2** minute timer has expired, the clock will sound alternating one and two second beeps and "**TIMER 2**" will appear in the display. The beeper can be silenced by pressing the **TIMER** key while the beeper is sounding.

**IMPORTANT:** Cancellation of the minute timer does not turn off the oven if it is operating. You must manually shut the oven off by pressing the **CANCEL • SECURE** key. (See the **Delay Timed Cooking** section for automatic oven turn on and turn off.)

### NOTES:

1. To view the current time of day rather than the minute timer display, press the **CLOCK** key. To change back to a minute timer display, press the **TIMER 1** or **TIMER 2** key.
2. To cancel the minute timer while in progress, press the **TIMER 1** or **TIMER 2** key twice. The clock display will return to the time of day.
3. The minute timers may be used at the same time as delay timed cooking or self-clean.
4. The minute timers will beep for 2 minutes (if not cancelled) before automatically shutting off.
5. Pressing the **CANCEL • SECURE** key when the beeper is sounding will cancel both the beeper and the cooking function.

# CARE AND CLEANING

## **⚠ WARNING**

- To avoid electrical shock or burns, turn off all controls and ensure the oven is cool before cleaning.
- Do not use harsh or abrasive cleaning agents, waxes, polishes or commercial oven cleaners to clean the oven.
- Do not use commercial oven cleaners inside the oven. Use of these cleaners can produce hazardous fumes or can permanently damage the porcelain finishes.

Read and follow these **Care and Cleaning** instructions completely to maintain proper oven operation and appearance throughout the life of the product. Several materials and finishes are used in the oven. Each material and finish must be properly cleaned according to the following recommendations. Failure to follow these recommendations may result in permanent damage to the oven.

## Control Panel

- To avoid accidentally turning the oven on while cleaning the control panel, activate the secure feature. Press and hold the **CANCEL • SECURE** key for approximately three seconds. This will disable the control panel and allow cleaning the controls without accidentally starting any functions. **"OFF"** will appear in the display when the control panel has been secured.
- To re-activate the control panel, again push and hold the **CANCEL • SECURE** key for three seconds. **"OFF"** will disappear from the display.
- Clean the control panel with a solution of mild detergent and warm water. **DO NOT USE ABRASIVE CLEANERS OR SCRUBBERS. THEY WILL PERMANENTLY DAMAGE THE FINISH.** Dry the control panel completely with a soft, lint-free cloth.

## Door Handle/Control Housing

- Clean the door handle and control panel housing with a solution of mild detergent and hot water. Rinse and dry with a soft cloth. **DO NOT USE ABRASIVE CLEANERS OR SCRUBBERS. THEY WILL PERMANENTLY DAMAGE THE FINISH.**

## Door Glass

- Clean all glass surfaces with a solution of mild detergent and hot water. Use a mild glass cleaner to remove fingerprints or smears. Dry completely with a soft, lint-free cloth.

## Stainless Steel Surfaces

- On stainless steel ovens, the control panel, door(s) and exhaust grill are covered with stainless steel panels. Clean these surfaces with a solution of mild detergent and warm water. Rinse and dry with a soft, lint-free cloth.

### **IMPORTANT:**

- If commercially available stainless steel cleaners are used, it is important to read the labels for chlorine compounds. Chlorine is a corrosive substance. If these compounds are present, rinse thoroughly and dry with a soft, lint-free cloth.
- Always wipe stainless steel surfaces with the grain.

## Porcelain Surfaces

- The oven interior and inner door liners are finished in porcelain enamel. Clean these surfaces with a solution of mild detergent and hot water. Rinse and dry with a soft cloth. **Do not use abrasives or commercial oven cleaners.** Always remove excess grease and soil from the oven interior and door prior to using the self-cleaning cycle.

## Brass, Chrome and Copper Surfaces

- Clean these surfaces with a solution of mild detergent and warm water. Rinse, dry and polish with a soft, lint-free cloth.
- Brass, chrome, and copper finishes are protected with a clear coat enamel and should not be cleaned with metal polishes.

## Broiler Pan and Grill

- The oven broiler pan and grill are finished in porcelain enamel. Clean both components in a solution of detergent and hot water. For heavy soil conditions, use a scouring pad such as steel wool with plenty of water. Rinse well after cleaning.

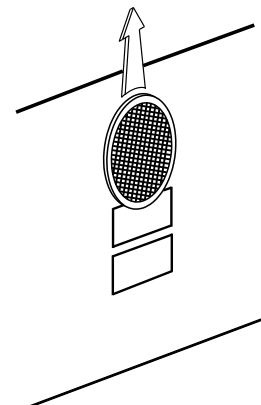
## Oven Racks

- The oven racks are chrome-plated. For everyday cleaning, apply a solution of detergent and hot water. To clean heavy soil, use a scouring pad such as steel wool with plenty of water, or use a solution of 1 cup ammonia to 2 gallons of water. Remove the racks during self-cleaning. If the racks are left in the oven during self-cleaning, they will permanently discolor.

## Convection Filter

### **⚠ WARNING**

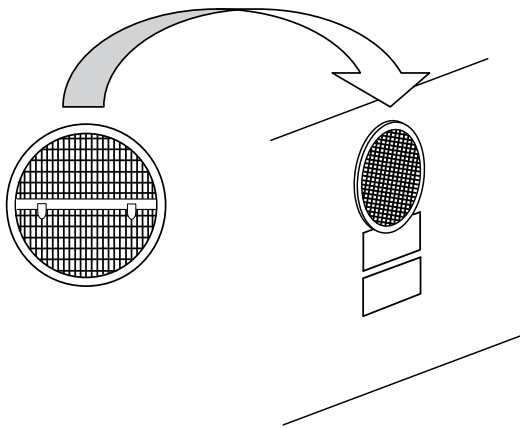
- Remove the filter only when it is cool.
- Remove the filter during self-cleaning. If the filter is left in the oven during self-cleaning it will permanently discolor. Re-install the filter before cooking in the oven again. Failure to do so will expose the convection fan blade that rotates at high speed during convection modes.
- The convection filter is made of stainless steel. Remove the filter regularly for cleaning. A clogged filter will reduce the effectiveness of the convection cooking modes.



**Convection Filter Removal**

# CARE AND CLEANING

- Soak the filter in hot soapy water.
- Dry the filter completely before re-installing.
- To re-install the filter, orient the two mounting tabs towards the rear, open end down. Hook the two mounting tabs over the center horizontal bar.



Convection Filter Installation

## Self-Cleaning

### ⚠ WARNING

1. DO NOT OPERATE THE OVEN LIGHTS IN THE SELF-CLEAN MODE.
2. Do not touch the outside surfaces of the oven during the self-clean cycle.

The oven features an automatic pyrolytic self-cleaning cycle to eliminate the need for difficult and time-consuming manual scrubbing of interior surfaces. During this cycle, the oven reaches temperatures of 850°F to burn off soil and deposits. A powder ash residue is left in the bottom of the oven after completion of the self-clean cycle.

The self-clean time is variable from 2 to 4 hours to offer flexibility in handling various soil conditions. A 2-hour cycle normally handles a moderately soiled oven, whereas a 4-hour cycle is recommended for heavy soil. The self-clean cycle can also be delayed to start at a later time if desired.

### IMPORTANT:

- It is normal for some smoke to be emitted during the first few self-clean cycles.
- Popping sounds are normal during self-clean. These sounds are caused by the expansion and contraction of metal surfaces during heat-up and cool-down.
- Do not line the oven with aluminum foil or other materials. These items can melt or burn during a self-clean cycle, causing permanent damage to the oven.

### To Prepare the Oven for Self-Cleaning:

1. Clean soil from the oven front frame area and the oven door outside of the door gasket. Do not clean the door gasket. Cleaning the door gasket by hand can cause it to bend or move. A tight door seal is essential for proper baking and self-cleaning. Rinse surfaces well with a solution of vinegar and water, then wipe dry. Heavily soiled areas may be cleaned with a non-scratching scouring pad.

2. Remove the broiler pan and grill, all cookware, utensils and other loose items from the oven chamber. Also, remove all oven racks and the convection fan filter to prevent them from permanently discoloring. However, to clean stubborn particles in the convection filter you may elect to simply leave it in place during self-clean. The filter will discolor due to the high heat, but the filtering capabilities will not be affected.
3. Wipe up excess grease and other food spills with a damp cloth. This will minimize smoke and increase the efficiency of the self-clean cycle.
4. Turn on kitchen fans or vents to help remove odors during the process.

### IMPORTANT:

If racks are left in the oven during a self-clean cycle, it will affect their ability to slide in and out easily. If damage occurs, polish the rack edges with a soapy steel wool pad, then apply a small amount of vegetable oil to the edges so that the racks will slide more easily.

### To Start the Self-Clean Cycle:

1. Close the oven door completely.
2. Press the **SELF-CLEAN** key. The oven will beep once, “**CLEAN**” will flash, and “- -: -” will be displayed.
3. Press the **TIME • TEMP +** key and the default time of “**2:00**” hours will be displayed.
4. Increase the self-clean time up to 4 hours (depending upon the amount of oven soil) by holding the **TIME • TEMP +** key.
5. To delay the self-clean start to a more convenient time, press the **STOP TIME** key. Then, press the **TIME • TEMP +** key to set the time of day for the cycle to be complete. “**DELAY TIMED**” will appear in the clock display. The cycle can be delayed up to 11 hours and 50 minutes.
6. Approximately 30 to 60 seconds after selecting self-clean, the automatic door latch will lock the door. “**LOCK**” and “**ON**” will appear in the clock display. The oven will begin heating. The “**ON**” indicator will cycle on and off with the burner.

### NOTE:

If delay timed mode has been set, the “**ON**” display and the oven heat will not turn on until the programmed time has been reached.

### IMPORTANT:

The electric door latch is a convenient safety feature that keeps the door locked when the interior is too hot. If the door is not closed



### Display - Self-Cleaning Mode

completely, the automatic door latch will not lock the door when the self-clean is selected. In this case, “Door” will flash in the display, Press the **CANCEL • SECURE** key and wait about 1 minute. Repeat the self-clean steps from the beginning, being certain to close the door completely. Do not try to force the door open after it is locked, because damage can occur. If you need to unlock the door, press the **CANCEL • SECURE** key to turn off the self-clean cycle. After about 1 minute, “**LOCK**” will disappear from the clock display, and the door will unlock. The door will remain locked until the oven temperature falls below 390°F.

Continued...



# CARE AND CLEANING

## Self-Cleaning (Continued)

7. About 50 to 60 minutes is required for the oven to reach the self-clean temperature of 850°F.
8. The self-clean cycle can be stopped at any time by pressing **CANCEL • SECURE**.
9. After completion of the self-clean cycle, the oven will stop heating and the “**ON**” and “**CLEAN**” indicators will disappear from the clock display. Press the **CANCEL • SECURE** key.
10. After the interior oven temperature falls below 390°F, the door latch will release and “**LOCK**” will disappear from the display. The door can be opened. Do not select any cooking function until the oven door is unlocked.
11. Open the door. After ensuring that the oven has cooled sufficiently to be safe, use a damp cloth or sponge to wipe out the powder residue found in the bottom of the oven. If white spots remain in the oven, remove them with a non-scratch scouring pad before using the oven again. These spots are normally salt that cannot be removed by the self-clean cycle.
12. Re-install the oven racks and convection filter before cooking in the oven.

### Self-Cleaning Tips:

- If any soil remains in the oven after completion of a self-clean cycle, repeat the cycle if desired. Increase the cleaning time during future cycles.
- Clean the oven regularly to prevent excessive soil build-up. Doing so will increase the efficiency of the self-clean cycle and reduce the amount of smoke and odors generated.
- Self-clean in the cooler evening hours after cooking is complete and when electricity rates are lower.
- On double oven models, if one oven is in the self-clean mode the other oven is inoperable.

## Adjusting the Oven Temperature

### IMPORTANT:

You may find the temperature in their new oven to be different from that of their previously-owned appliance. Familiarity with the old appliance sometimes makes it difficult to get used to a new oven. If you feel that the oven temperature is consistently high or low, the temperature of the new oven can be calibrated. The calibration needs to be done only once.

### To calibrate the oven temperature:

1. Press the **BAKE** key.
2. Press the **TIME • TEMP +** pad to set a temperature of 500°F or higher.
3. Press and hold the **BAKE** key. After approximately 5 seconds the temperature display is replaced by “00”. The **BAKE** key can be released. The calibration mode has been accessed.



### Display When Calibrating the Oven

4. Press the **TIME • TEMP +** or **TIME • TEMP –** key to set the amount of temperature adjustment. The temperature can be changed a maximum of 35°F higher or lower. Set the adjustment to positive (+) numbers to increase the oven temperature; set the adjustment to negative (–) numbers to reduce the oven temperature. Temperatures can be adjusted in increments of 5°F.
5. After setting the desired temperature adjustment, press the **CANCEL • SECURE** key to exit the calibration mode and to reset the clock display.

### NOTE:

1. If the **CANCEL • SECURE** key is not pressed after setting the adjustment, the clock display will automatically reset in 6 seconds.
2. The amount of temperature adjustment may be changed again by repeating the calibration procedure. The oven will only retain the most recent temperature adjustment.
3. The temperature adjustment is not affected by an electrical power failure
4. The temperature adjustment only affects standard bake and convection bake modes. Broil and self-clean temperatures cannot be adjusted.

# CARE AND CLEANING

## Replacing the Oven Light

### **⚠ WARNING**

To prevent electrical shock and/or personal injury:

- Make certain that the appliance and light bulb are cool and that power to the appliance has been turned off before replacing the light bulb.
- Always ensure that the lens cover is in place when using the appliance. The lens cover protects the bulb from breakage caused by high temperatures or mechanical shock.

The light assembly consists of a removable lens cover and 10-watt 12 Vac halogen bulb, as well as a light fixture housing. Light bulb replacement is considered to be a homeowner maintenance operation.

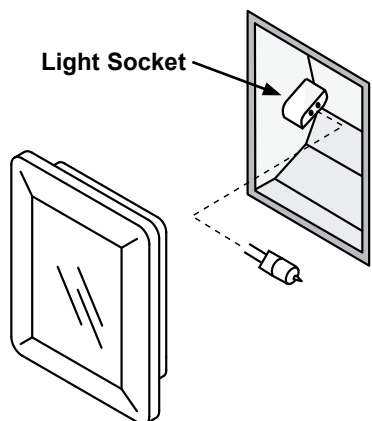
**To replace a light bulb, follow these steps:**

1. Turn off the power at the main power supply.
2. Remove the lens cover from the housing by pulling straight out.

### **NOTE:**

In some cases the lens cover may be tightly in place and require removal using the included lens pry stick. The pry stick should be used with caution. Do not cause uneven stress on the lens cover. Gently insert the pointed end of the pry stick under the center edge of the lens cover on the side facing the oven door. Hold your hand under the lens for support then pry out to remove the lens cover.

3. Pull the light bulb out and replace it with a special 10-watt halogen bulb rated for use in a self-cleaning oven. Use Dacor Part No. 86364 available from any authorized Dacor parts distributor or dealer.
4. Reinstall the lens cover by aligning the cover over the opening and gently pressing it into its original position.  
**IMPORTANT:** Make sure the cutout in the lens is lined up with the socket to prevent damage to the light fixture.
5. Turn the power back on at the main power supply.



**Oven Light Assembly**

## Accessories

**For accessories call your local Dacor dealer or visit [www.everythingdacor.com](http://www.everythingdacor.com).**

Accessory Cookie sheets (3 in a carton): These Full sized cookie sheets maximize oven rack baking capabilities by allowing the total usable rack area.

- 27" Oven - Model No. ACS273
- 30" Oven - Model No. ACS303
- 36" Oven - Model No. ACS363

### **Replacement Oven Light Bulb**

- Part No. 86364

### **Stainless Steel Cleaner**

- Part No. A302

# BEFORE YOU CALL FOR SERVICE

## Problem Solution Guide

Unnecessary service calls may be expensive, frustrating and time-consuming. Before you call for service, please review the potential problems, possible causes and remedies shown below. Also, see the facing page for various oven failure codes that can be displayed on the control panel. Failure codes will appear where the temperature is normally displayed on the control panel.

PROBLEM	POSSIBLE CAUSE	POSSIBLE SOLUTION
Nothing works.	Oven is not connected to electrical power.	Have oven connected to a properly sized electrical power supply by a qualified electrician.
	Power supply is not energized.	Check for tripped circuit breaker or blown fuse. Have an electrician check power supply.
Oven will not heat.	Oven settings are not correct.	Follow mode selection and clock settings as specified in <b>OVEN OPERATION</b> section.
	Oven is set for delay-timed cooking.	Oven will turn on automatically at time set. If desired, press <b>CANCEL • SECURE</b> key to cancel out of delay timed cooking.
Clock displays incorrect time of day.	Time of day is not set.	Press <b>CLOCK</b> touch pad, then press <b>TIME • TEMP +</b> or <b>TIME • TEMP -</b> key to set correct time of day.
	Power supply has been interrupted.	Reset time of day.
Foods over-cook.	Incorrect cooking time, temperature or rack position being used.	Adjust temperature or time settings.
	Oven temperature calibration differs from your previous oven.	Calibrate temperature according to <b>Adjusting the Oven Temperature</b> section (see <b>Care and Cleaning</b> ).
Foods under-cook.	Incorrect cooking time, temperature or rack position being used.	Adjust temperature or time settings.
	Oven temperature calibration differs from your previous oven.	Calibrate temperature according to <b>Adjusting the Oven Temperature</b> section (see <b>Care and Cleaning</b> ).
Oven does not self-clean.	Door is not shut tight so automatic door latch will not lock.	Close door tightly.
	Oven settings are not correct.	Follow mode selection and clock settings as specified in the <b>Self-Cleaning</b> section (see <b>Care and Cleaning</b> ).
	Oven is set for delay timed cleaning.	Oven will turn on automatically at time set. If desired, press <b>CANCEL • SECURE</b> key to cancel out delay-timed cleaning.
Oven light will not work.	Light bulb is burned out.	Follow <b>Replacing the Oven Light</b> section (see <b>Care and Cleaning</b> ).
Door will not open.	Oven is in self-clean mode.	If oven is hot, door latch will release automatically when oven temperature falls below 390°F at end of cycle.
		If <b>SELF-CLEAN</b> was just selected and the oven is still cool, press <b>CANCEL • SECURE</b> key to turn off self-clean. The door will open in about 30 seconds.
	Oven is set to self-clean in delay-timed mode.	Oven will turn on automatically at time set. If desired, press <b>CANCEL • SECURE</b> key to cancel out of delay-timed mode.

# BEFORE YOU CALL FOR SERVICE

## IMPORTANT:

If a failure code is displayed, the oven will beep continuously until the user presses the **CANCEL • SECURE** key. The oven will not heat after a failure code is displayed. Call a qualified appliance technician to repair the oven.

Clock Display	Cause
F0.	Touch pad is stuck in depressed position.
F1.	Relay circuit failure.
F2.	Oven temperature exceeded the clean runaway temperature (self-clean mode only) or the cooking runaway temperature (cooking modes only).
F3.	Short circuit in the oven temperature sensor.
F4.	Open circuit in the oven temperature sensor.
F6.	Failure in the EEPROM check comparison. (Only time of day and timer will operate.)
F7	Failure of the self-clean automatic door latch circuit.
F8.	Failure of the door latch motor. Occurs when the motor runs for two minutes without the door locking in self-clean mode.

### Oven Failure Codes

# SERVICE AND PRODUCT WARRANTY

## Product Maintenance

No maintenance, other than that in the **CARE AND CLEANING** section of this use and care manual, should be attempted by the owner/operator. All other maintenance and service must be performed by a qualified appliance technician.

## If You Need Service...

First, review the recommended checks listed in the preceding **Before You Call for Service** section. Then, be certain that the appliance has been installed properly and is being operated correctly. Familiarize yourself with the warranty terms and conditions listed in this section.

If the above mentioned checks have been completed and the problem has not yet been remedied, call your local authorized DACOR service representative. Your dealer can normally provide the name and telephone number of the nearest service company.

*DACOR works diligently to ensure your satisfaction when service is necessary. However, if you are not completely satisfied with the service provided, contact the company that performed the service and express why you are not pleased. Normally, they will be willing and able to resolve the problem.*

*If the service agency is not able to respond effectively, call or write the DACOR Customer Service Department. The phone number and address of this department are listed on the inside front cover of this manual. Please include your telephone number if you choose to write. We will then do our utmost to assure your happiness and satisfaction.*

## What Is Covered

### CERTIFICATE OF WARRANTIES

#### DACOR WALL OVENS

#### WITHIN THE FIFTY STATES OF THE U.S.A., THE DISTRICT OF COLUMBIA AND CANADA\*:

##### FULL ONE YEAR WARRANTY

If your DACOR product fails to function within one year of the original date of purchase, due to a defect in material or workmanship, DACOR will remedy the defect without charge to you or subsequent users. The owner must provide proof of purchase upon request and have the appliance accessible for service.

\* Warranty is null and void if non-CSA approved product is transported from the U.S.

#### OUTSIDE THE FIFTY STATES OF THE U.S.A., THE DISTRICT OF COLUMBIA AND CANADA:

##### LIMITED FIRST YEAR WARRANTY

If your DACOR product fails to function within one year of the original date of purchase, due to a defect in material or workmanship, DACOR will furnish a new part, F.O.B. factory, to replace the defective part. All delivery, installation and labor costs are the responsibility of the purchaser. The owner must provide proof of purchase upon request and have the appliance accessible for service.

## What Is Not Covered

- Failure of the product caused by faulty installation, improper usage, or neglect of required maintenance.
- Service calls to educate the customer in the proper use and care of the product.
- Failure of the product when used for commercial, business, rental or any application other than for residential consumer use.
- Replacement of house fuses or fuse boxes, or resetting of circuit breakers.
- Damage to the product caused by accident, fire, flood or other acts of God.
- Breakage, discoloration or damage to glass, metal surfaces, plastic components, trim, paint, porcelain or other cosmetic finish, caused by improper usage or care, abuse, or neglect.

THE REMEDIES PROVIDED FOR THE ABOVE EXPRESS WARRANTIES ARE THE SOLE AND EXCLUSIVE REMEDIES. THEREFORE, NO OTHER EXPRESS WARRANTIES ARE MADE, AND OUTSIDE THE FIFTY STATES OF THE UNITED STATES AND THE DISTRICT OF COLUMBIA, ALL IMPLIED WARRANTIES, INCLUDING BUT NOT LIMITED TO, ANY IMPLIED WARRANTY OF MERCHANTABILITY OR FITNESS FOR A PARTICULAR USE OR PURPOSE ARE LIMITED IN DURATION TO ONE YEAR FROM THE DATE OF ORIGINAL PURCHASE. IN NO EVENT SHALL DACOR® BE LIABLE FOR INCIDENTAL EXPENSE OR CONSEQUENTIAL DAMAGES. NO WARRANTIES, EXPRESSED OR IMPLIED, ARE MADE TO ANY BUYER FOR RESALE.

Some states do not allow limitations on how long an implied warranty lasts or do not allow the exclusion or limitation of incidental or consequential damages, so the above limitations or exclusions may not apply to you. This warranty gives you specific legal rights, and you may also have other rights that vary from state to state.

# NOTES

# NOTES



fold here

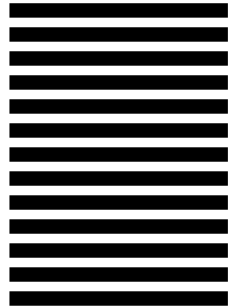


NO POSTAGE  
NECESSARY  
IF MAILED  
IN THE  
UNITED STATES

**BUSINESS REPLY MAIL**  
FIRST-CLASS MAIL      PERMIT NO. 4507      DIAMOND BAR CA

POSTAGE WILL BE PAID BY ADDRESSEE

DACOR INC.  
ATTN: WARRANTY PROCESSING DEPT  
1440 BRIDGE GATE DR STE 200  
PO BOX 6532  
DIAMOND BAR CA 91765-9861





Please visit [www.Dacor.com](http://www.Dacor.com) to activate your warranty online.

# WARRANTY INFORMATION



### IMPORTANT:

Your warranty will not be activated until you activate it online or return this form to Dacor. If you have purchased more than one Dacor product, please return all forms in one envelope or activate the warranty for each product online.

Please rest assured that under no conditions will Dacor sell your name or any of the information on this form for mailing list purposes. We are very grateful that you have chosen Dacor products for your home and do not consider the sale of such information to be a proper way of expressing our gratitude!

Owner's Name: \_\_\_\_\_  
Last (Please Print or Type) First Middle

Street: \_\_\_\_\_

City: \_\_\_\_\_ State: \_\_\_\_\_ Zip: \_\_\_\_\_

Purchase Date: \_\_\_\_\_ Email: \_\_\_\_\_ Telephone: \_\_\_\_\_

Dealer: \_\_\_\_\_

City: \_\_\_\_\_ State: \_\_\_\_\_ Zip: \_\_\_\_\_

Your willingness to take a few seconds to fill in the section below will be sincerely appreciated. Thank you.

1. How were you **first** exposed to Dacor products? (Please check one only.)

- A. T.V. Cooking Show
- B. Magazine
- C. Appliance Dealer Showroom
- D. Kitchen Dealer Showroom
- E. Home Show
- F. Builder
- G. Architect/Designer
- H. Another Dacor Owner
- I. Model Home
- J. Other \_\_\_\_\_

2. Where did you buy your Dacor appliances?

- A. Appliance Dealer
- B. Kitchen Dealer
- C. Builder Supplier
- D. Builder
- E. Other \_\_\_\_\_

3. For what purpose was the product purchased?

- A. Replacement **only**
- B. Part of a Remodel
- C. New Home
- D. Other \_\_\_\_\_

4. What is your household income?

- A. Under \$75,000
- B. \$75,000 – \$100,000
- C. \$100,000 – \$150,000
- D. \$150,000 – \$200,000
- E. \$200,000 – \$250,000
- F. Over \$250,000

5. What other brands of appliances do you have in your kitchen?

- A. Cooktop \_\_\_\_\_
- B. Oven \_\_\_\_\_
- C. Dishwasher \_\_\_\_\_
- D. Refrigerator \_\_\_\_\_

6. Would you buy or recommend another Dacor product?

- Yes
  - No
- Comments: \_\_\_\_\_

Thank you very much for your assistance. The information you have provided will be extremely valuable in helping us plan for the future and giving you the support you deserve.

