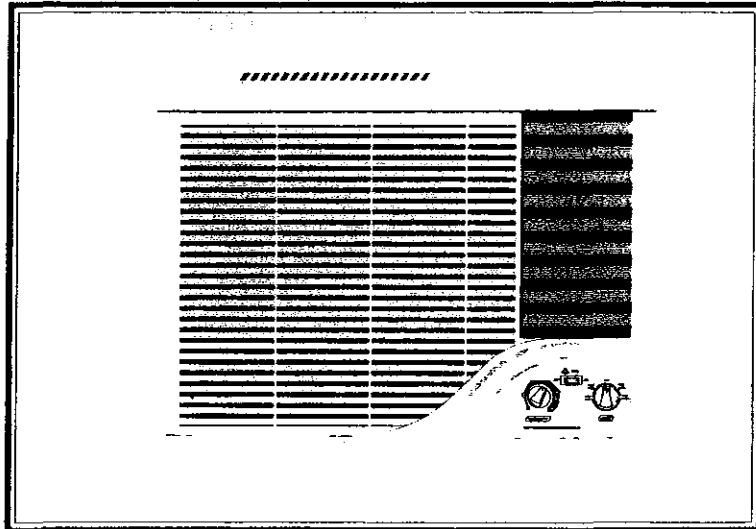




Room Air Conditioner Model 463 Series

Carrier + Bryant



For Models
463AAC010BA
463AAC012BA

Owner's guide

Read instructions completely before installing

Table of contents Pg1

Tabla de contenido Pg15

Table des matières Pg29

** Difference in warranty - Bryant
limits coverage in years 2-5
to parts only, excludes labor.*



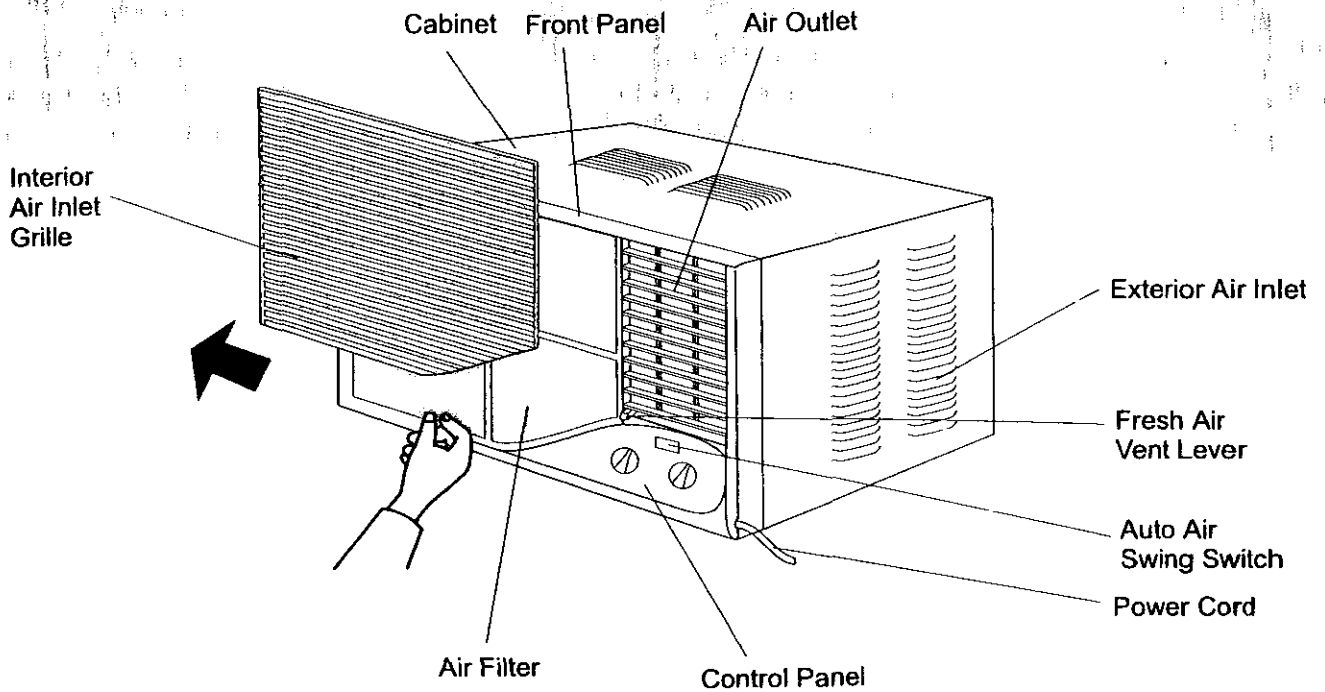
1-800-428-4326

Table of Contents

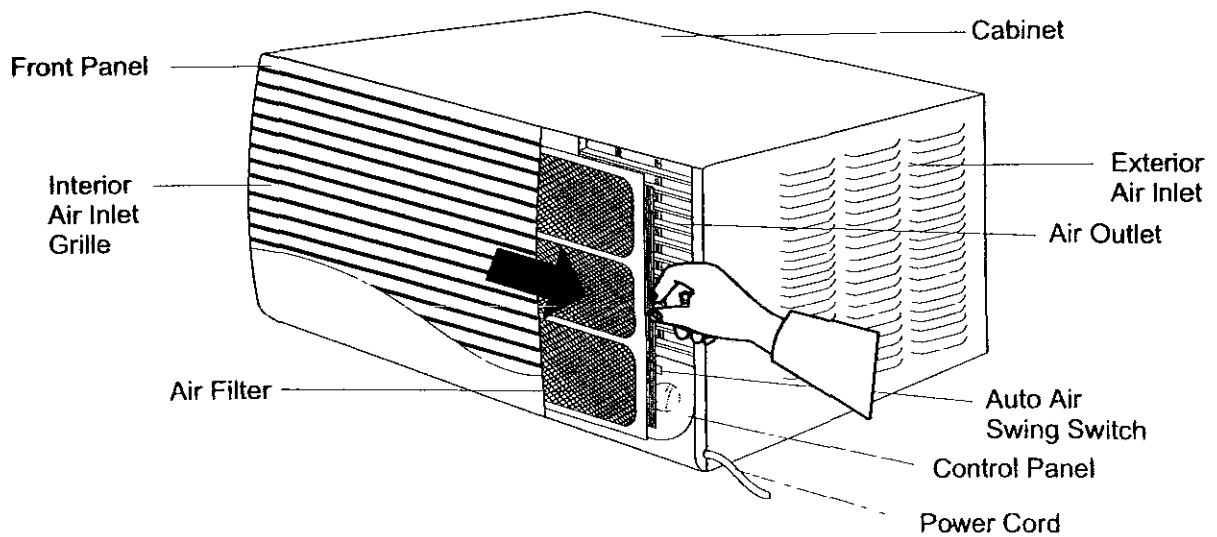
	Page
Parts Identification	2
Introduction	3
Electrical Specifications	4
Energy-saving Tips	5
Installation Instructions	6
Operating Instructions	12
Care and Maintenance	13
Trouble Shooting Guide	14

Part Identification

1. Parts Identification for Model 463AAC010BA



2. Parts Identification for Model 463AAC012BA



Introduction

Thank you for choosing this Bryant Room Air Conditioner to cool your home. This USE AND CARE MANUAL provides information necessary for the proper care and maintenance of your new Room Air Conditioner. If properly maintained, your air conditioner will give you many years of trouble free operation. To avoid installation difficulties, read instructions completely before starting. This manual contains information for the installation and operation of your Bryant Room Air Conditioner. For easy reference, you may want to attach a copy of your sales receipt to this page. Note following information provided (on the manufacturer's nameplate located on the right side of the unit above the power cord). This information will be needed when you contact a Bryant's Customer Service Representative.

Model number _____

Serial number _____

Date of Purchase _____

Dealer's Name and Address _____

Refer to the trouble-shooting section of this USE AND CARE MANUAL if the unit is not operating correctly. If these suggestions do not solve the problem, contact an authorized service representative or call 1-800-428-4326.

Keep these instructions for future reference
This symbol denotes a caution or warning



Specifications

Model number	463AAC010BA	463AAC012BA
Unit Specifications:		
Voltage	115V/60Hz	115V/60Hz
Cooling Capacity(Btu/h)	10,000	12,000
Input Wattage	1020	1220
Energy Efficiency Rating (EER)	9.8	9.8
Fan/Cooling Speeds	2/2	2/2
Cooling Area Coverage (Sq ft)	500	700
Noise Level (dB)	50	52
Unit Dimensions	Width	20.5"
	Depth	23.0"
	Height	14.8"
Window Kit Dimensions	Maximum Width	37.8"
	Minimum Width	25.2"
	Height	15.7"
Shipping Weight	112lb	120lb

NOTE Specifications are subject to change without further notice.

Electrical Specifications

1. All wiring must comply with local and national electrical codes and must be installed by a qualified electrician. If you have any questions regarding the following instructions, contact a qualified electrician.

2. Check available power supply and resolve any wiring problems **BEFORE** installing and operating this unit.

3. This 115V air conditioner uses 12.0 or less nameplate amps and may be used in any properly wired, general purpose household receptacle. See (Table 1) for specifications for individual branch circuit.

4. For your safety and protection, this unit is grounded through the power cord when plugged into a matching wall outlet. **If you are not sure whether your wall outlet is properly grounded, please consult a qualified electrician.**

5. The wall outlet (3-pin) must match the plug (3-pin) on the service cord supplied with the unit. **DO NOT** use plug adapters or extension cord. See (Table 2) for receptacle and fuse information.

6. The rating plate on the unit contains electrical and other technical data. The rating plate is located on the right side of the unit, above the power cord. If missing, a second nameplate is located on front chassis (also known as basepan).

Suggested Individual Branch Circuit	
Nameplate Amps 5.0 to 12	AWG Wire Size* 14
AWG- American Wire Gage * Based on copper wire at 60 °C temperature rating.	

Table 1

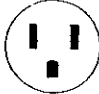

Receptacle and Fuse Types	
Rated Volts	125
AMPS	15
Wall Outlet	
Fuse Size	15
Time Delay Fuse (or circuit breaker)	Plug type

Table 2

	Electric Shock Hazard
	To avoid the possibility of personal injury, disconnect power to the unit before installing or servicing.

Energy-Saving Tips

Your Bryant Room Air Conditioner unit is designed to be highly efficient and save energy. Follow these recommendations for greater efficiency

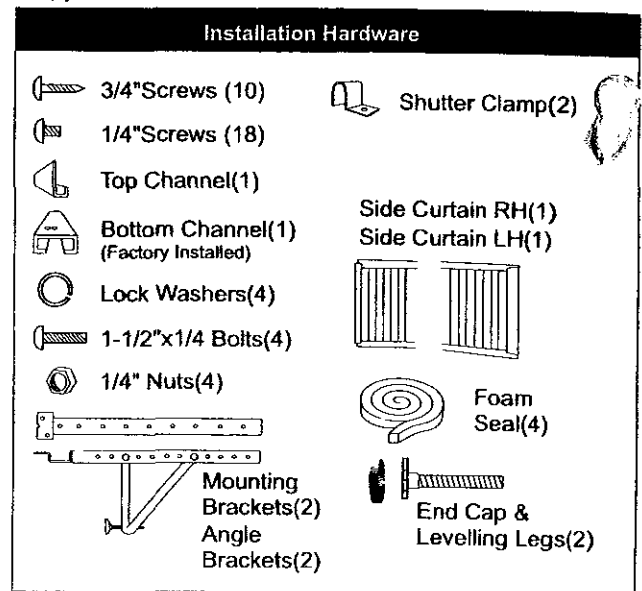
- 1 Select thermostat setting that suits your comfort needs and leave the thermostat at that chosen setting
- 2 The filter is very efficient in removing airborne particles. Keep air filter clean. Normally, filter should be cleaned once a month. More frequent cleaning may be necessary depending on outdoor and indoor air quality.
- 3 Use drapes, curtains, or shades to keep direct sunlight from heating your room, but **DO NOT** obstruct the air conditioner. Allow air to circulate around the unit without obstructions.
- 4 Start your air conditioner before outdoor air becomes hot and uncomfortable. This avoids an initial period of discomfort while the unit is cooling off the room.
- 5 When outdoor temperature is cool enough, use **HIGH** or **LOW FAN** only (depending on your model). This circulates indoor air, providing some cooling comfort, and utilizes less electricity than when operating on a cooling setting.

▲ CAUTION ▲

To avoid installation/operating difficulties, read the instructions thoroughly

Your Bryant Room Air Conditioner is designed for easy installation in a single or double-hung window. **NOTE:** This unit is **NOT** designed for vertical (slider type) windows.

NOTE: Save the shipping carton and packing materials for future storage or transport of the unit. Remove the plastic bag containing the installation hardware kit necessary for the installation of your air conditioner. Please check the contents of hardware kit against the corresponding model check list, prior to installation of the unit.



- Tools Needed for Window Installation**
- Screw drivers: Both Philips and flat head
 - Power drill: 1/8 inch diameter drill bit
 - Pencil
 - Measuring tape
 - Scissors
 - Carpenters level
 - Adjustable wrench

Installation Instructions

⚠ CAUTION ⚠

Because the compressor is located on the controls side of the unit (right side), this side will be heavier and more awkward to manipulate. Inadequate support on control side of the unit can result in personal injury and damage to your unit and property. Therefore, it is recommended to have someone assist you during the installation of this unit.

F Your Bryant unit was designed to evaporate condensation under normal conditions. However, under extreme humidity conditions, excess condensation may cause basepan to overflow to the outside. The unit should be installed where condensation run-off cannot drip on pedestrians or neighboring properties.

G A drain connection (excluding hose) is provided. If you need to redirect condensation overflow, see (Fig. 19 on Page 11).

1. Select the Best Location

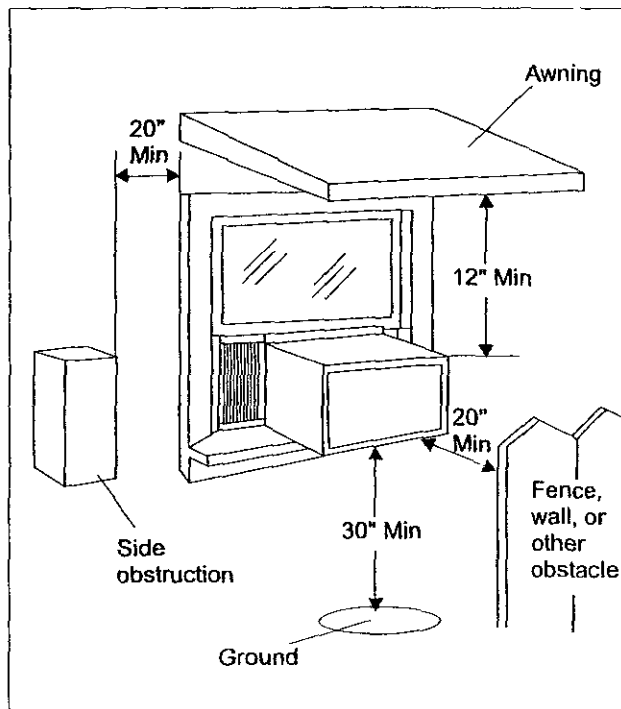
A Your Bryant Room Air Conditioner was designed to fit easily into a single or double hung window. However, since window designs vary, it may be necessary to make some modifications for safe and proper installation.

B Make sure window and frame is structurally sound and free from dry and rotted wood.

C For maximum efficiency, install the air conditioner on side of the house or building which favors more shade than sunlight. If the unit is in direct sunlight, it is advisable to provide an awning over the unit.

D Provide sufficient clearance around the cabinet to allow for ample air circulation through the unit. See (Dwg. 1). The rear of the unit should be outdoors and not in a garage nor inside of a building. Keep unit as far away as possible from obstacles or obstructions and at least 30" above the floor or ground. Curtains and other objects within a room should be prevented from blocking the air flow.

E Be certain the proper electrical outlet is within reach of the installation. Use only a single outlet circuit rated at 15 amps. All wiring should be in accordance with local and national electrical codes.



Dwg. 1

Installation Instructions

2. Preparation to Remove the Air Conditioner Slide-Out Chassis (Model 463AAC010BA)

A Remove the air inlet grille by sliding the grille to the left (Fig 1)

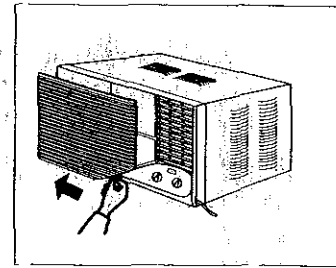


Fig 1

B Remove the air filter

C Remove the Philips screw located next to the air outlet (Fig 2)

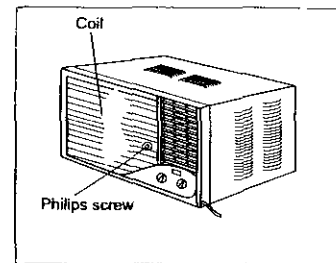


Fig 2

D Remove the front panel by grasping both sides simultaneously and pulling

E Remove total of 6 Philips screws securing the slide-out chassis. There are (2) on each side and (4) on the back of the cabinet (Fig 3)

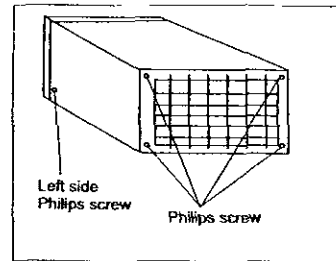


Fig 3

F Grasp the pull handle at the front of the slide-out chassis and carefully slide the air conditioner out of the cabinet (Fig 4)

3 Preparation to Remove the Air Conditioner Slide-Out Chassis (Model 463AAC012BA)

A Remove total of 4 Philips screws securing the chassis to the cabinet. There are (2) screws on each side. The set of screws closest to the front of the unit secure the front panel to the cabinet. The set of screws closest to the rear of the unit secure the cabinet to the chassis (Fig 5)

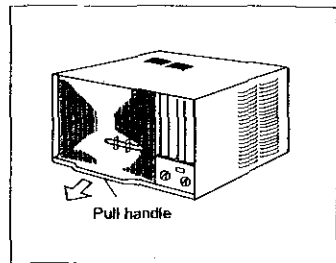


Fig 4

B Remove the front panel assembly from the cabinet by gently pulling it

C Grasp the pull handle at the front of the slide-out chassis and carefully slide the air conditioner out of the cabinet (Fig 4)

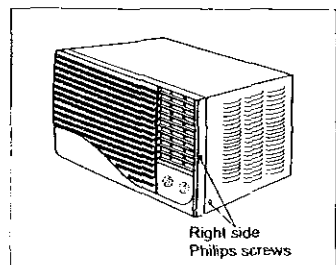


Fig 5

NOTE Screws must be reinstalled upon completion of the window installation to secure the slide-out chassis.

Please seek assistance for this procedure

Installation Instructions

4. Assembly of the upper & lower channels to the cabinet

A. "L" Shaped Top Channel: Install the "L" shaped top channel to the cabinet as shown in (Fig 6) using (4) 1/4" screws

B "U" shaped Bottom Channel: Install the "U" shaped bottom channel to the cabinet as shown in (Fig 6) using (4) 1/4" screws

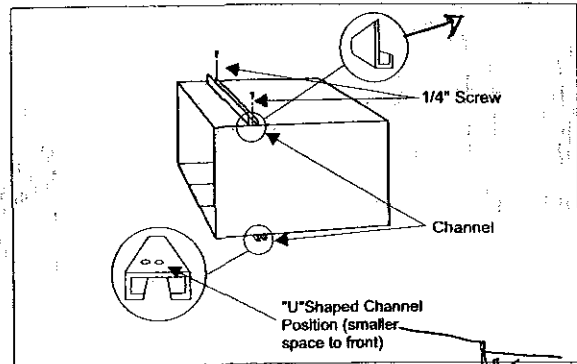


Fig 6

5. Assembly of the side shutters (curtains) to the cabinet

Slide the shutters into the top and bottom channels as shown in (Fig.7) The shutters are identified (on each frame) as "left" or "right" Attach the shutters to the cabinet using (4) 1/4" screws on each side

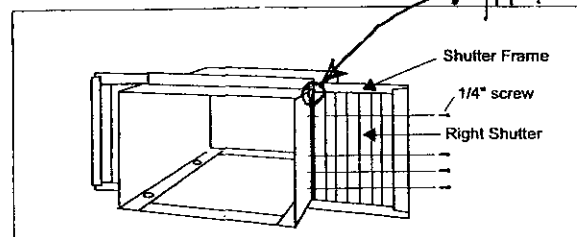


Fig 7

6. Installation of Mounting Brackets and First sealing strip.

(Model 463AAC010BA and 463AAC012BA)

NOTE: Windows come in a variety of different styles Therefore, it may be necessary to modify or improve your particular installation

A Attach the **bracket assembly to 90° angle support brackets** (Fig 8) using (2) 1 1/2" bolts (provided) per bracket Secure with the (2) 1/4" lock washers and (2) 1/4"nuts. **DO NOT** immediately tighten these bolts as it may be necessary to adjust the depth of the **bracket assembly**, depending on the depth of your window sill, see (Fig 9) Install the two **leveling screws** into the 90° support brackets Test the bracket assembly in the window before cabinet installation If the leveling screws are distanced too far away from the wall to provide stability, it may be necessary for you to shim this area with a solid piece of wood See (Fig 10)

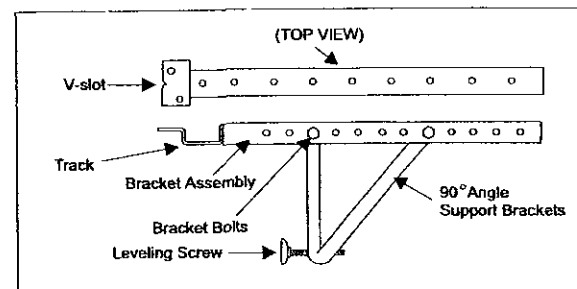


Fig 8

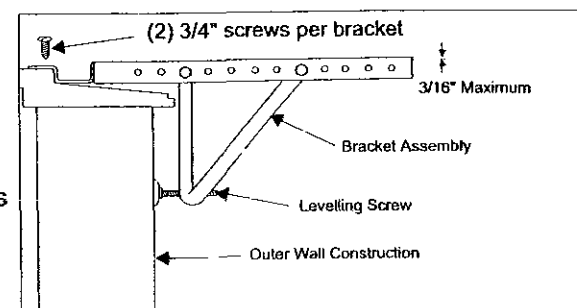


Fig 9

Installation Instructions

B Measure the inside window sill width and find the center as shown in (Fig 11) Align the V-slot in each bracket on these marks and mount the brackets to the sill using (4) 3/4" screws Brackets should be perpendicular to the inside window sill, see (Fig. 12).

C For proper condensation run-off it will be necessary to adjust the angle of the window brackets This is accomplished by adjusting the leveling screw on the outer wall The maximum angle should not exceed more than 3/16" See (Fig 12)

D Cut the first foam sealing strip to fit the underside of the bottom window sash Remove the peel-off backing on the foam and attach it to this sash See (Fig 13)

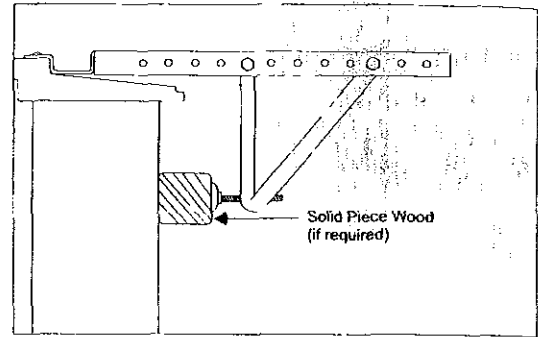


Fig 10

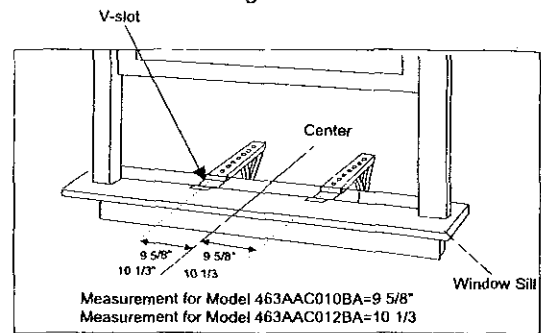


Fig 11

CAUTION

If additional support to the bracket assembly is required, use a solid piece of wood to provide stability. This will be required when sills are extra deep See (Fig. 10).

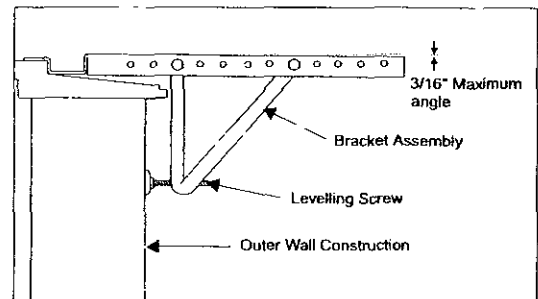


Fig 12

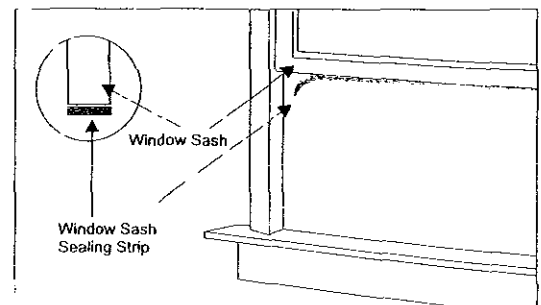


Fig 13

Installation Instructions

7. Installation of the cabinet (Model 463AAC010BA and 463AAC012BA)

A Place the air conditioner cabinet in the window. Align one hole in the bottom of the cabinet with one hole in the bracket assembly. Secure the cabinet to the bracket using a 1/4" screw provided. Repeat the same procedure on the opposite side of the cabinet (Fig 14)

B Ensure the "L" shaped mounting channel is positioned in front of the sash. The "U" shaped channel on the bottom of the cabinet should be positioned in the track provided on the bracket assembly. Pull the window down until it rests just behind the front of the "L" shaped mounting channel. See (Fig 15).

C Check to make sure that the cabinet is slanted slightly downward on the outside.

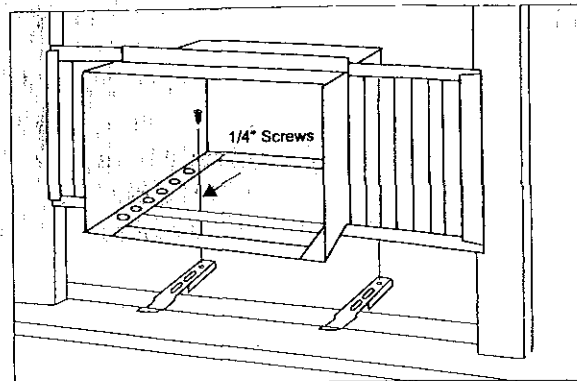


Fig 14

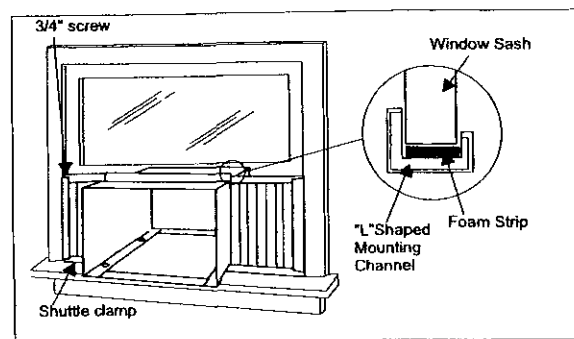


Fig 15

Installation Instructions

8 Secure shutters

A. Carefully slide the air conditioner back into the cabinet.
(Please seek assistance for this procedure)

B. Reinstall the slide-out-chassis security screws (removed earlier) on both sides of the cabinet (Fig 16). Secure the top of the shutter frames to the window sash with (2) 3/4" screws.

C. Now, secure bottom frames of shutters using one shutter clamp and one 3/4" screw on each side (Fig 16).

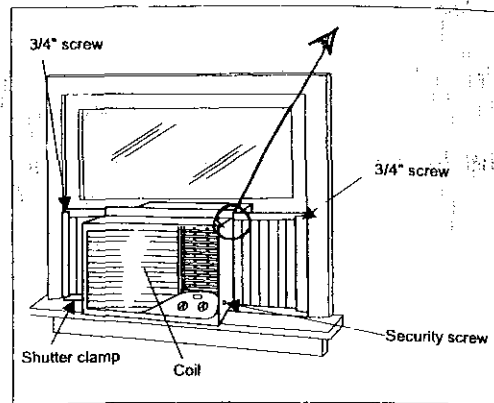


Fig 16

9. Reinstalling Front Panel and Air Inlet Grille (Model 463AAC010BA):

A. Position the front panel on the cabinet starting at the top. The front panel lock tabs must be inserted into the retaining slots in the cabinet. Repeat this procedure on all sides.

B. Secure the front grille to the cabinet using the Philips screw removed earlier (Fig 17).

C. Replace the air filter.

D. Position the air inlet grille on the cabinet by gently pressing on it.

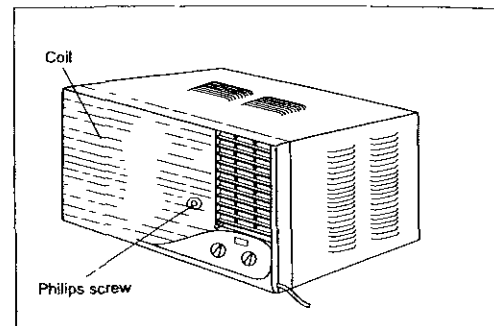


Fig 17

10. Reinstalling Front Panel and Air Inlet Grille (Model 463AAC012BA)

A. Position the front panel on the cabinet starting at the top. The front panel lock tabs must be inserted into the remaining slots in the cabinet.

B. Secure the front grille to the cabinet using the Philips screw removed earlier.

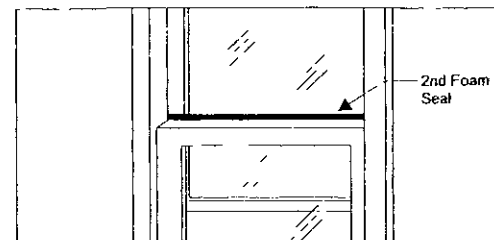


Fig 18

11 Complete the installation

A. Cut the **second foam seal** to fit the opening between the top of the inside and outside window. See (Fig 18).

B. Some installations may require additional sealing around the window and air conditioner. Check for any air leaks and seal where necessary.

C. In very humid areas, the water removal may be excessive enough to overflow the unit or increase the noise of the air conditioner. If this occurs, you may wish to attach a **drain hose (not included)** to the drain plug, allowing condensations to run off conveniently. See (Fig 19).

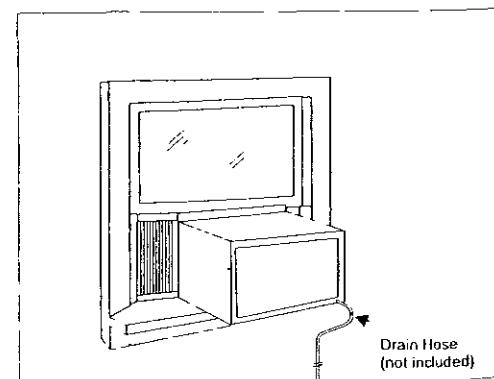


Fig 19

Operating Instructions

MODE

The mode knob controls fan speeds and cooling speed. To set desired cooling temperature, simply rotate the mode knob dial to the appropriate setting.

AUTO AIR SWING Switch

When the **Swing** switch is turned to the "ON" position, the vertical louvers automatically oscillate sweeping the cold air for comfortable cooling.

The vertical louvers may be stopped at any position when the **Swing** switch is turned "OFF".

THERMOSTAT

The thermostat automatically controls the cooling cycle (compressor) of the air conditioner to maintain room temperature. However, the fan motor will continue to operate after the compressor (cooling cycle) is completed.

LOW FAN will circulate the air at a minimum speed without cooling.

HIGH FAN will circulate the air at a maximum speed without cooling.

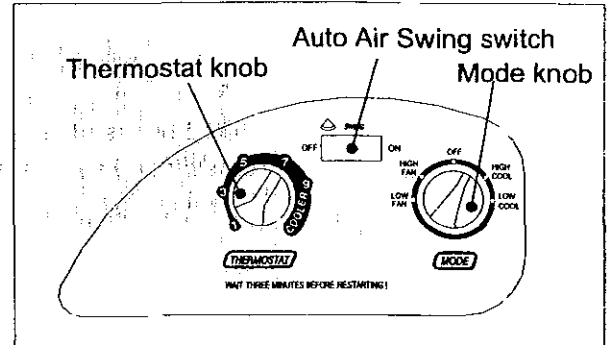
LOW COOL provides cooling, automatically with minimum air circulation. Recommended for night-time use.

HIGH COOL provides cooling, automatically with quick cooling or for extremely hot days. Once room is cooled, reduce setting to **LOW COOL**.

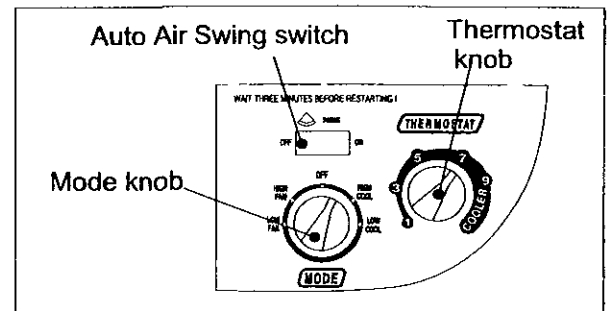
OFF will completely shut-off the unit.

NOTE: After setting the mode, allow 3 minutes before switching to another mode.

Fresh Air Ventilation is usually kept in the closed position. Use only when clearing smoke and/or odors from the room. Pull to open.



MODEL 463AAC010BA

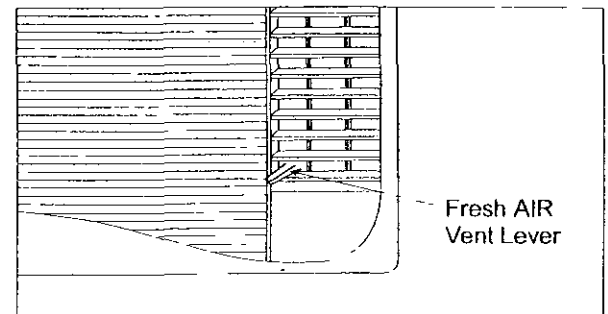


MODEL 463AAC012BA

CAUTION

When using FAN control, turn slowly allowing unit to adjust.

When using THERMOSTAT, be sure to allow three minutes before changing temperature. Adjusting too quickly may cause an overload resulting in a blown fuse.



MODEL 463AAC010BA

Care and Maintenance

When servicing the air conditioner, be sure to turn the mode switch to the "OFF" position and disconnect the power cord from the electrical outlet

1 **DO NOT** use gasoline, benzine, thinner or other chemicals on the air conditioner as these substances may cause damage to the paint finish and deformation of plastic parts

2 Never attempt to pour water directly to the front of the unit as this will cause deterioration of the electrical insulation

Cleaning the Air Filter

Removal of Air Filter

If the air filter becomes clogged with dust, air-flow is obstructed and reduces efficiency. The air filter should be cleaned once a month. More frequent cleaning may be necessary depending on outdoor and indoor air quality

Air Filter Removal: (Model 463AAC010BA)

A Remove the air inlet grille by sliding the grille to the left

B Remove the air filter

Air Filter Removal: (Model 463AAC012BA)

To remove the air filter, grasp the filter handle(tab) located on the right (center) side of the air inlet grille and slide the air filter to the right

To reinstall the air filter, reverse the above procedure

▲ CAUTION ▲

DO NOT forget to install the air filter. If the air conditioner is left to operate without the air filter, dust is not removed from the room and may cause your air conditioner to fail

When the air filter inlet grill and cabinet are dirty, wipe with lukewarm water (below 40°C). Use of mild detergent is recommended

Cleaning of Air Filter

1 Remove dust clogged in the filter by tapping it or vacuum clean it

2 Wash the filter well with lukewarm water below 40°C (104°F) while rubbing lightly. To get better results, wash it with soapy water or a neutral cleaning agent

3 Rinse the filter well using clean water then dry completely

End-of-Season Care

1 Operate the fan alone for half a day to dry out the inside of the unit

2 Turn off power and remove plug from wall socket

3 Clean filter

4 Store in a dry location

Troubleshooting Guide

Frequently, a problem is minor and a service call may not be necessary, use this troubleshooting guide for a possible solution. If the unit continues to operate improperly, call 1-800-428-4326 for assistance, or call your closest dealer.

PROBLEM	POSSIBLE CAUSE	SUGGESTED SOLUTION
Air conditioner will not operate	No power to the unit	Check connection of power cord to power source. Check fuse or circuit breaker Set FAN CONTROL to position other than "OFF"
Inefficient or no cooling	Dirty air filter Inappropriate capacity for application Blocked air flow Power interruption, settings change too quickly, or compressor overload tripped	Clean or replace air filter Check with dealer to determine proper unit capacity for application Remove obstruction from grill or outdoor louvers Let fan run to restart compressor (in approximately 10 minutes)
Noisy unit	Loose parts Inadequate support	Tighten loose parts Provide additional support to unit
Odors	Formation of mold, mildew, or algae on wet surfaces	Remove drain plug and drain base pan Replace drain plug Clean unit thoroughly
Water dripping outside	Condensation run-off is normal during hot and humid weather	Add flexible tubing to redirect water flow, see (Fig 19)
Water dripping inside	Unit is not properly angled to allow water to drain outside	Unit must be installed on an angle for proper condensation run-off. Check the unit and make adjustments
Ice or frost build-up	Low outside temperature Unit air filter is dirty	When outdoor temperature is approximately 65°F or below, frost may form when unit is in cooling mode. Switch unit to FAN (only) operation until frost melts Remove and clean filter

NOTE.

1 If circuit breaker is tripped repeatedly, or fuse is blown more than once, contact a qualified technician