

# FRIGIDAIRE

GALLERY



## Double Wall Ovens

FGET2745K F/W/B

27" Electric



### Powerful Performance

Effortless™ Convection Conversion<sup>2</sup>  
Power and Quick Clean Options  
Broil (3,400W)

### Performance-Driven Style

Real Stainless Steel  
Even Baking Technology<sup>2</sup>

### One-Touch Options

Keep Warm  
Chicken Nuggets<sup>2</sup>

### More Easy-To-Use Features

Hidden Bake  
Extra-Large Windows

Sabbath Mode (Star-K® Certified)

### Capacities

3.5 Cu. Ft. Upper Oven Capacity  
3.5 Cu. Ft. Lower Oven Capacity

### Overall Exterior Dimensions

Height	50-7/16"
Width	27"
Depth	24-1/2"

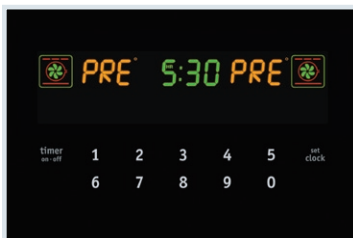
### Available in:



<sup>1</sup>Based on single rack cooking performance, not set temperature, using Quick Preheat.

<sup>2</sup>Feature applies to upper oven only.

### Signature Features



#### Quick Preheat

Preheat in less than six minutes.<sup>1</sup>  
(Upper oven only)



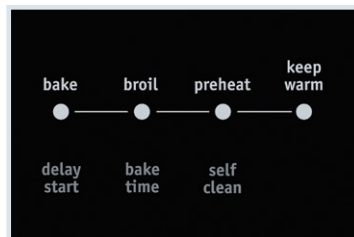
#### True Convection

Multi-rack baking is faster and more even with True Convection.  
(Upper oven only)



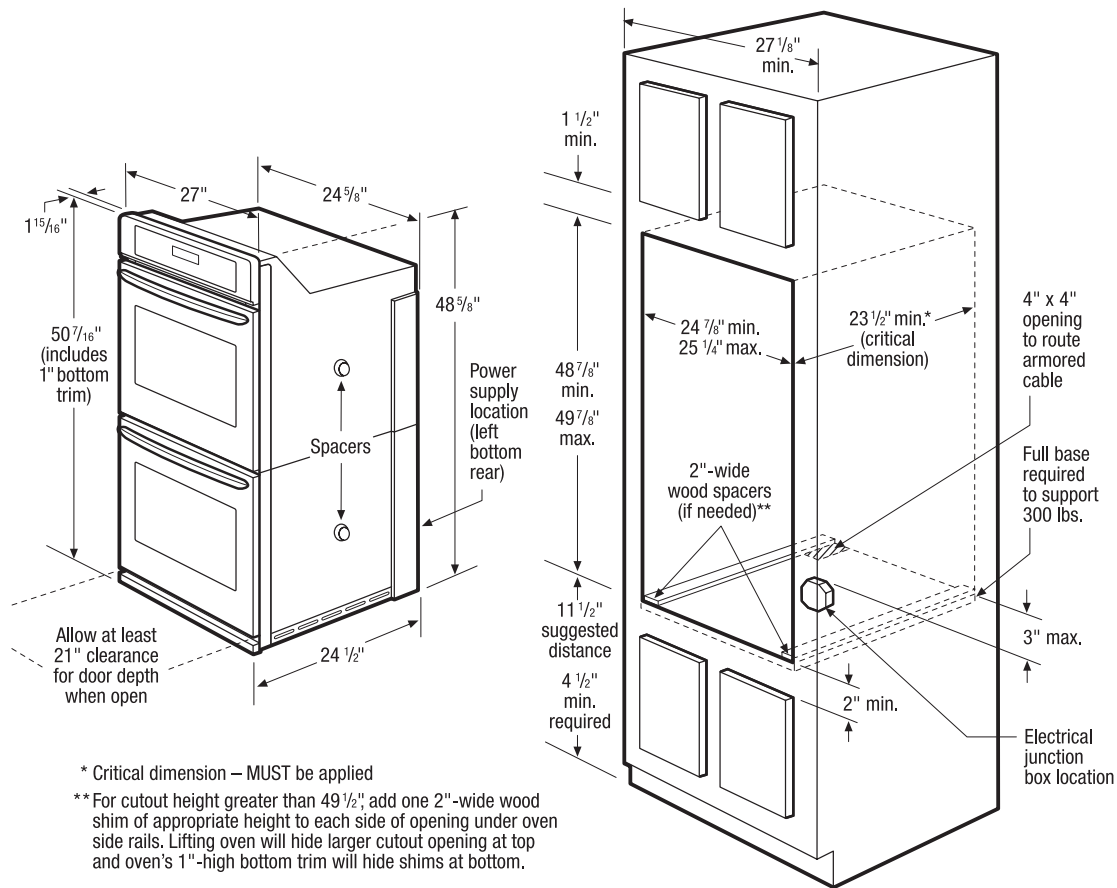
#### Express-Select™ Controls

Easily set cooking temperature or choose one-touch cooking options.



#### Keep Warm Setting

Keep food warm until everything — and everyone — is ready.



## Double Wall Oven Specifications

- Product Shipping Weight (approx.) - 265 Lbs.
- Single phase 3- or 4-wire cable, 120/240 or 120/208 Volt, 60 Hertz AC only electrical supply with ground required on separate circuit fused on both sides of line.
- Connected Load (kW Rating) @ 240/208 Volts = 7.5/5.7kW
- Amps @ 240/208 Volts = 31.0/27.0 Amps
- Recommended Circuit Breaker - 40 Amps
- Always consult local and national electric codes.
- Minimum 21" clearance for oven door depth when open.
- Suggested distance from floor is 11-1/2". Minimum required distance is 4-1/2".
- Minimum 23-1/2" deep cutout dimension is critical for proper installation, to ensure that oven's faceplate will fit flush against cabinet front.

- To adapt oven to fit cutout height greater than 49-1/2", add one 2"-wide wood shim of appropriate height to each side of opening under oven side rails. Lifting oven will hide larger cutout opening at top and oven's 1"-high bottom trim will hide shims at bottom. (Standard 1"-High Bottom Trim included.)
- Full oven base of solid plywood or similar material required, capable of supporting 300 Lbs.
- Base must be level and cabinet front must be square.
- Double Wall Ovens are NOT approved to be used in stackable or side-by-side installation.

**Note:** For planning purposes only. Refer to Product Installation Guide on the web at [frigidaire.com](http://frigidaire.com) for detailed instructions.