

Installation instructions

Aerotech oven

OB76 models

Fisher & Paykel
innovative living





NZ AU

Important!

SAVE THESE INSTRUCTIONS

The models shown in this document may not be available in all markets and are subject to change at any time. For current details about model and specification availability in your country, please go to our website www.fisherpaykel.com or contact your local Fisher & Paykel dealer.

① SAFETY AND WARNINGS

⚠ WARNING!	
	Electrical hazard Always disconnect the oven from the mains electricity supply before carrying out any maintenance operations or repairs. Failure to do so may result in electrical shock or death.
DOUBLE OVEN MODELS  409 lb 186 kg	⚠ WARNING! Very Heavy Do not attempt to lift this product unassisted. Lifting unassisted may cause serious injury.
SINGLE OVEN MODELS  242 lb 110 kg	
⚠ WARNING!	
	Cut hazard Take care - panel edges are sharp. Failure to use caution could result in injury or cuts.

Important safety precautions!

- To avoid hazard, follow these instructions carefully before installing or using this product.
- Please make this information available to the person installing the product as it could reduce your installation costs.
- This oven is to be installed and connected to the electricity supply only by an authorised person.
- If the installation requires alterations to the domestic electrical system, call a qualified electrician. The electrician should also check that the socket cable section is suitable for the electricity drawn by the oven.
- The oven must be earthed.
- To connect the oven to the mains, do not use adapters, reducers or branching devices as they can cause overheating and burning.
- Installation must comply with your local building and electricity regulations.
- Failure to install the oven correctly could invalidate any warranty or liability claims.

Before you install the oven, please make sure that

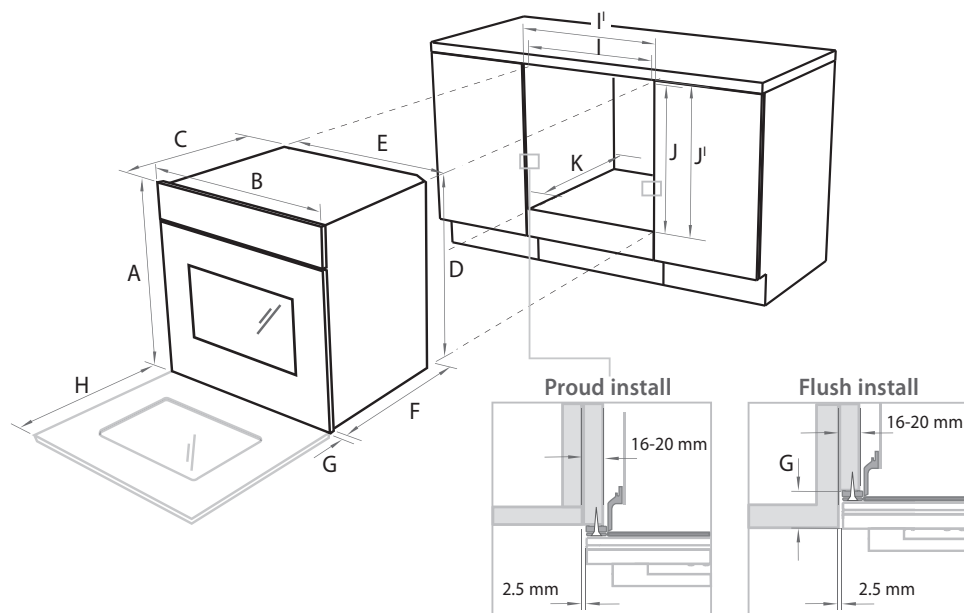
- The oven will rest on a flat surface that can support its weight.
- The benchtop and oven cavity are square and level, and are the required dimensions.
- The height from the floor suits the user.
- The oven door can open fully without obstruction.
- a suitable disconnection switch is incorporated in the permanent wiring, mounted and positioned to comply with the local wiring rules and regulations. A means of disconnection with at least a 3 mm air gap contact separation in all poles must be incorporated into the fixed wiring in accordance with the wiring rules, unless the local wiring rules allow for the following variation:
A means of disconnection from the supply having an air gap separation in all active (phase) conductors must be incorporated into the fixed wiring.
- the electrician provides sufficient free length of power supply cable to reach from the bottom rear of the cavity to at least 1.5 metres in front of the bottom edge of the opening. The cable may enter the cavity from the side, top or bottom, but top entry must be at the rear of the cavity.

When you install the oven

- Do not seal the oven into the cabinetry with silicone or glue. This makes future servicing difficult. Fisher & Paykel will not cover the costs of removing the oven, or of damage caused by this removal.
- Use the supplied screws and spacers to secure the oven to the cabinetry. Do not over-tighten the screws.
- Do not stand on the door, or place heavy objects on it.
- Do not lift the oven by the door handle.
- Take extra care not to damage the lower trim of the oven.
- Use easy-to-clean finishes for the wall surfaces surrounding the oven, so that cooking fume staining resulting from using the oven is easy to remove.

② PRODUCT AND CABINETY DIMENSIONS

Single oven models



Installation diagrams for illustration purposes only

Ensure the cavity is completely sealed with no gaps

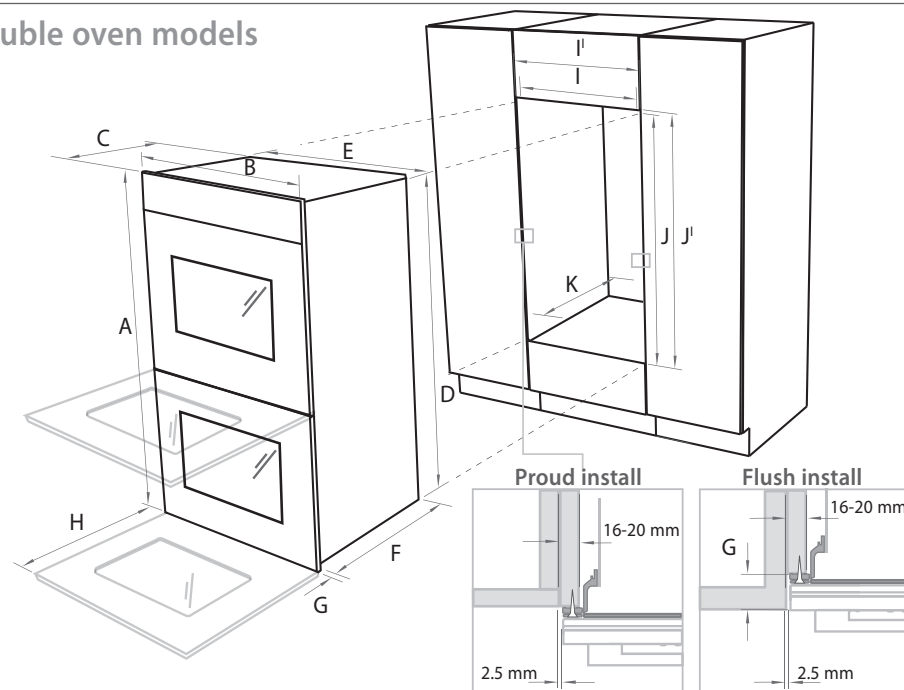
Product and cabinetry dimensions (mm)

	OB76S models	
A	overall height of product	688
B	overall width of product	757
C	overall depth of product (without handle)	608
D	height of chassis	675
E	width of chassis	718
F	depth of chassis	570
G	depth of oven frame and control panel (excl. knobs)	38
H	depth of oven door (open) (measured from front of oven frame)	530
I	minimum inside width of cavity	724
I'	overall width of cabinetry	762
J	inside height of cavity	681
J'	overall height of cabinetry	693
K	minimum inside depth of cavity	575

Note: If installing a cooktop above the oven, ensure adequate clearance is provided for the cooktop as per the cooktop manufacturer's instructions.

③ PRODUCT AND CABINETY DIMENSIONS

Double oven models



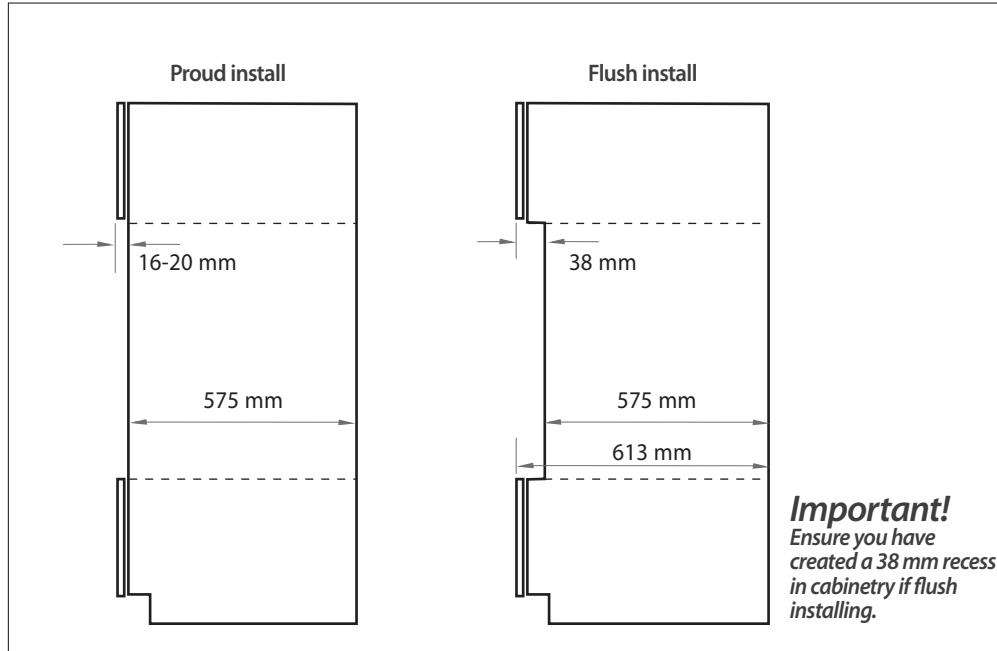
Ensure the cavity is completely sealed with no gaps

Product and cabinetry dimensions (mm)

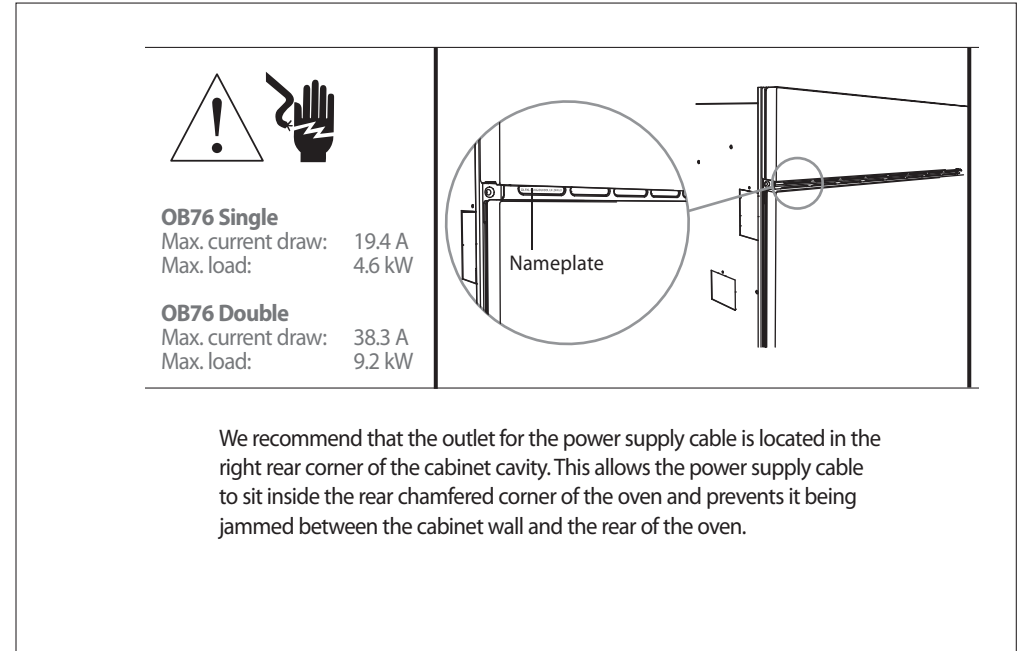
	OB76D models	
A	overall height of product	1230
B	overall width of product	757
C	overall depth of product (without handle)	608
D	height of chassis	1217
E	width of chassis	718
F	depth of chassis	570
G	depth of oven frame and control panel (excl. knobs)	38
H	depth of oven doors (open) (measured from front of oven frame)	530
I	minimum inside width of cavity	724
I'	overall width of cabinetry	762
J	inside height of cavity	1222
J'	overall height of cabinetry	1235
K	minimum inside depth of cavity	575

④ CABINETS PREPARATION

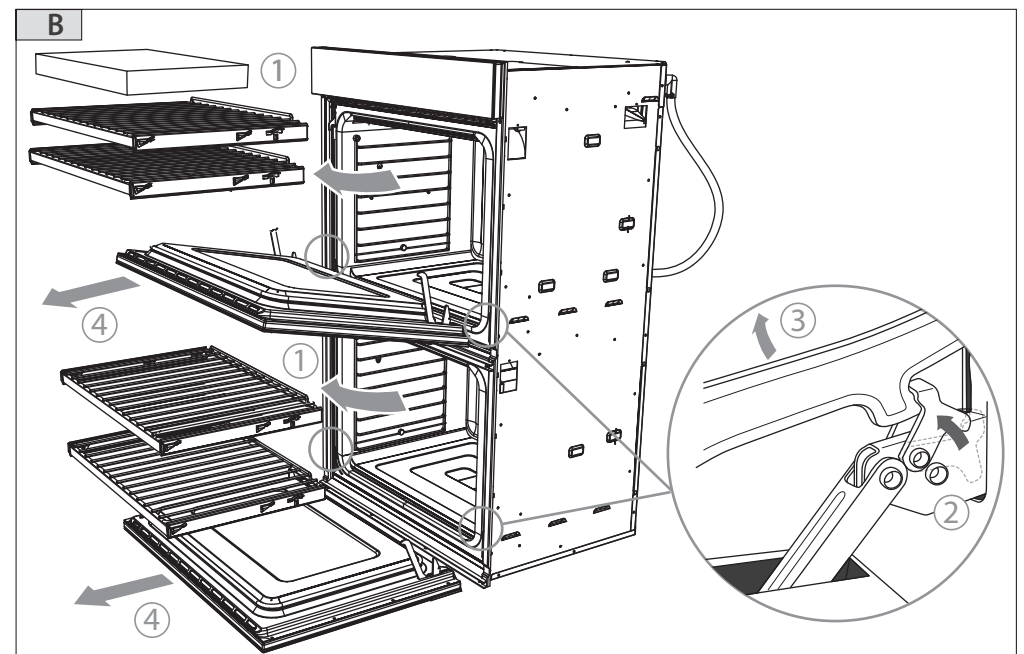
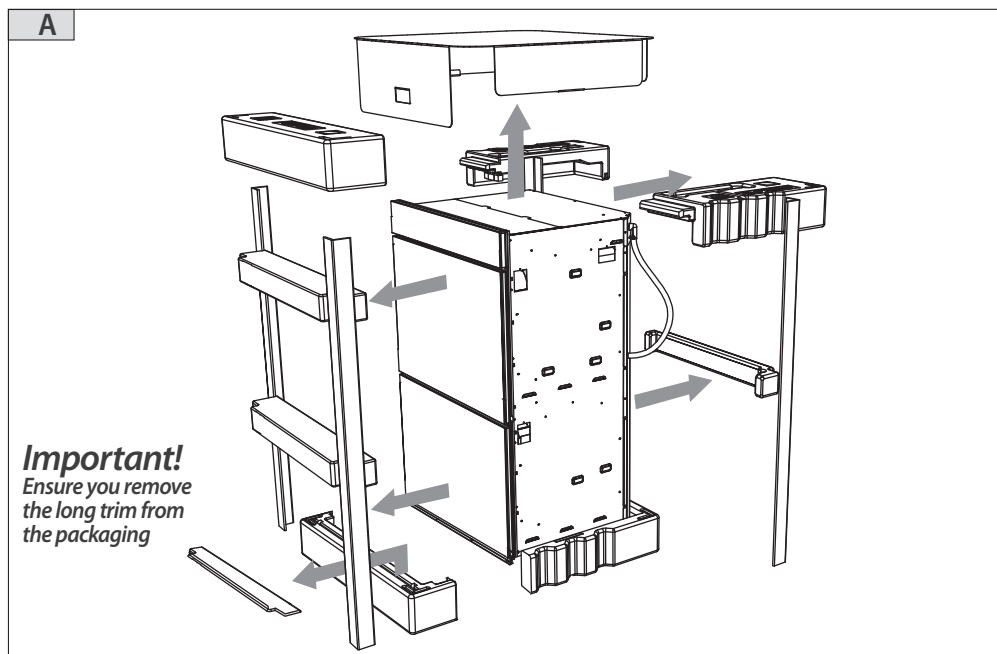
Double models featured for illustration purposes only



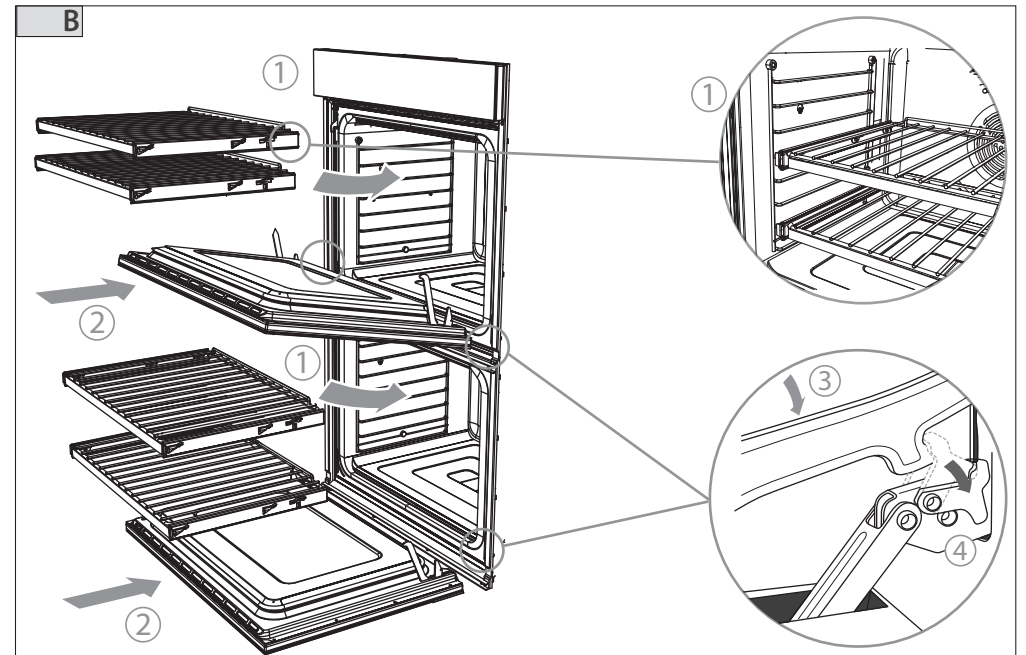
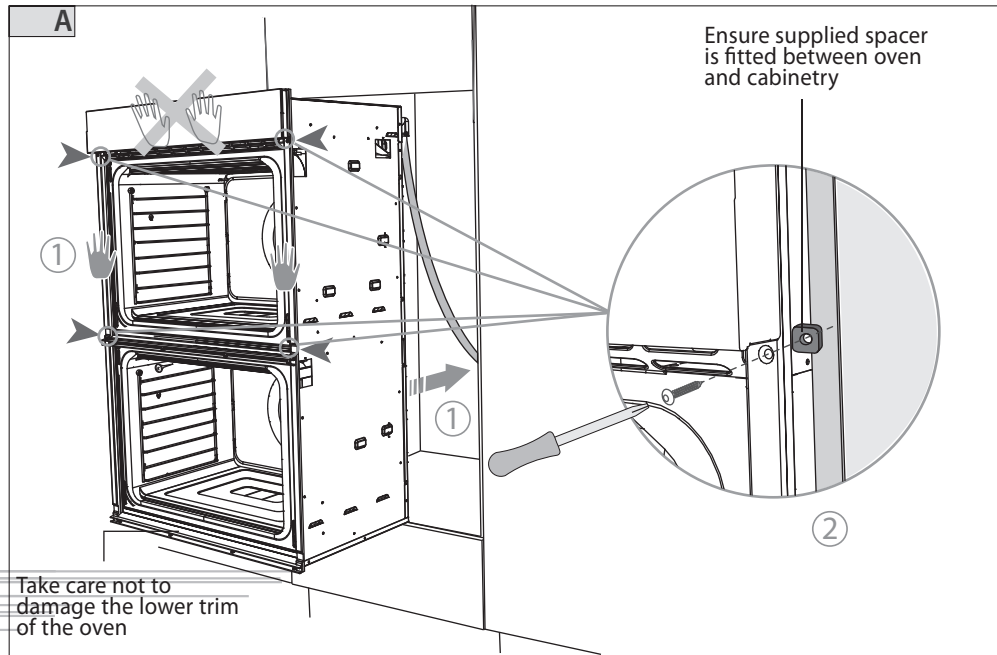
⑤ ELECTRICAL CONNECTION



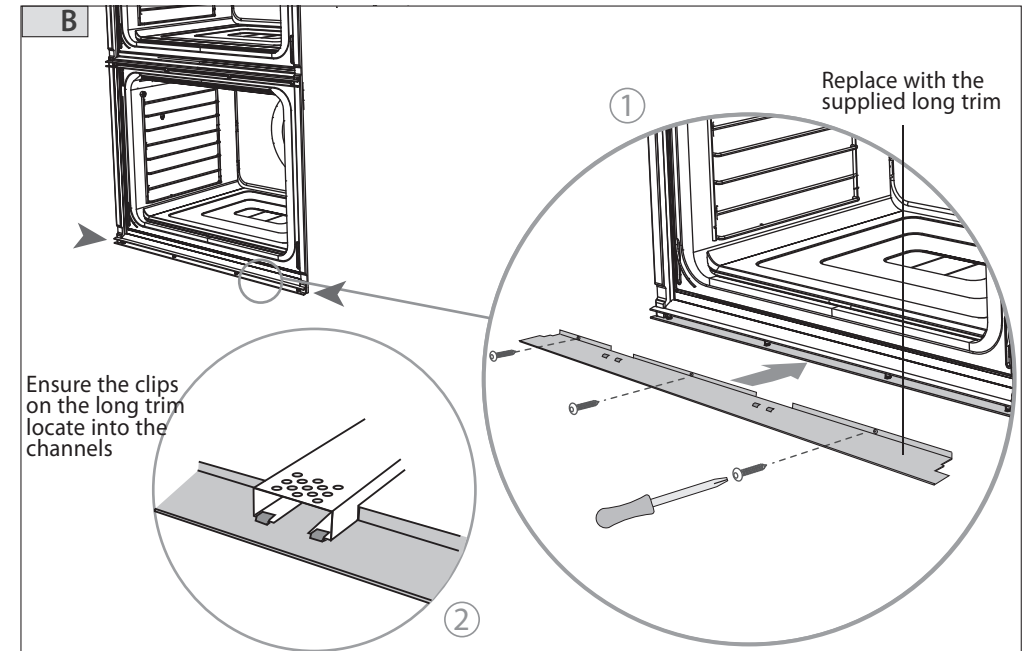
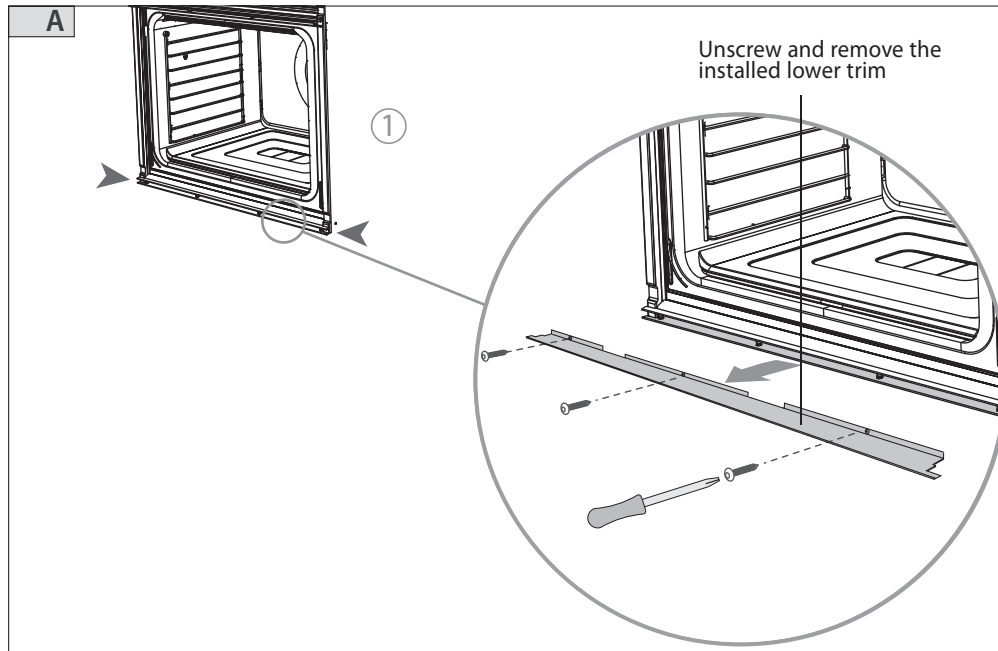
⑥ UNPACK THE OVEN AND REMOVE THE DOOR(S)



7 SECURE THE OVEN TO THE CABINETRY AND REFIT THE DOOR(S)



8 FLUSH INSTALLATION ONLY - REPLACE THE LOWER TRIM WITH THE SUPPLIED LONG TRIM




⑨ FINAL CHECKLIST



- Make sure the appliance is level and securely fitted to the cabinetry and both oven doors open and close freely.
- Make sure all the internal packaging has been removed from the oven cavity.
- Make sure all oven vents and openings are clear and are free of any obstruction/damage.

Important!

Failure to make sure all oven vents are unobstructed may result in poor product performance.

- Turn the power to the oven on. The clock should light up and flash 12:00pm.
- Set the clock to the current time.
 - 1) Rotate the PUSH TO CLEAR  button until the correct time is showing.
 - 2) Press the CLOCK button to set the time, or wait eight seconds and it will set automatically.
- Turn the oven function knob to 'Bake' and the oven temperature knob to 180 °C. Air should blow out of the vent at the bottom of the oven. Inside the oven cavity, all three oven lights should come on. After five minutes, open the oven door and the air inside should feel warm and the top element should be glowing red.
- Turn both the oven function knob and oven temperature knob back to OFF and repeat for the other oven if the appliance is a double model.

⑩ TROUBLESHOOTING

If the appliance is not functioning correctly after installation, check the following:

- Check that the circuit breaker has not tripped or the fuse blown.
- Make sure that the electrical connections have been correctly made.
- Make sure that power is being supplied to the oven.
- Make sure the voltage is correct across all phases.
- If a problem occurs, consult the Troubleshooting section of the User Guide.
- If after checking these points you still need assistance, please refer to the Service & Warranty book for warranty details and your nearest Authorised Service Centre, or contact us through our website, www.fisherpaykel.com.

