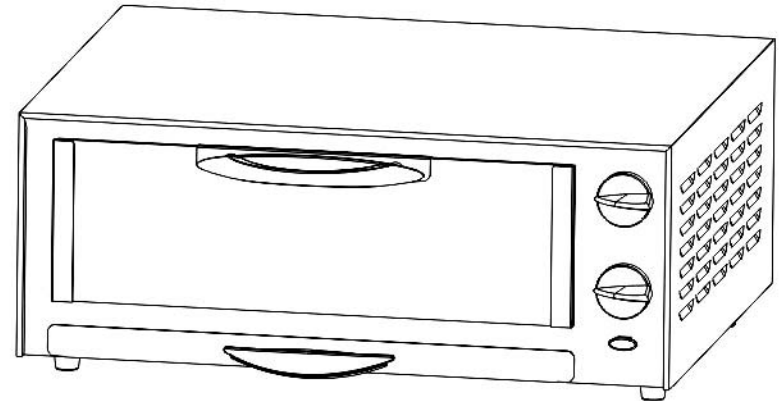


EURO-PRO X

PIZZA OVEN

OWNER'S MANUAL

Model TO297
120V., 60Hz., 1450 Watts



EURO-PRO Operating LLC
Boston, MA, 02465
Tel. : 1 (800) 798-7398
www.euro-pro.com

IMPORTANT SAFETY INSTRUCTIONS

When using your *Pizza Oven*, basic safety precautions should always be observed, including the following:

1. Read all instructions before using your *Pizza Oven*.
2. Do not touch hot surfaces. Always use handles or knobs.
3. Close supervision is necessary when any appliance is used by or near children.
4. To protect against electric shock, do not immerse cord, plug or any part of the oven in water or any other liquids.
5. Do not let cord hang over edge of table or counter, or touch hot surfaces.
6. Do not operate appliance with damaged cord or plug or after the appliance malfunctions or has been damaged in any manner. Return appliance to **EURO-PRO Operating LLC** for examination, repair or adjustment.
7. **NEVER** use your appliance for heating the room. Your pizza oven is not designed to heat your kitchen.
8. **NEVER** leave any items on the top of the pizza oven.
9. The use of accessory attachments not recommended by the appliance manufacturer may cause hazard or injury.
10. Do not place on or near a hot gas or electric burner.
11. **NEVER** place the pizza oven near any flammable objects such as curtains. When operating the pizza oven, keep at least four inches of free space on all sides of the oven to allow for adequate air circulation.
12. Unplug the appliance from outlet when not in use and before cleaning. Allow to cool before putting on or taking off parts, and before cleaning.
13. To disconnect, turn the "Time" control knob to OFF, then remove the plug. Always hold the plug, and never pull the cord.
14. Do not cover the crumb tray or any other part of the pizza oven with metal foil. This may cause the oven to overheat.
15. **NEVER** pick up a flaming pan. Turn all the controls Off and then unplug the pizza oven.
16. To extinguish a fire in the pizza oven, close the oven door and turn the pizza oven off.
17. Oversized foods or metal utensils must not be inserted in a pizza oven as they may create a fire or risk of electric shock.
18. A fire may occur if the pizza oven is covered or touching flammable material, including curtains, draperies, walls and the like when in operation. Do not place any items on the pizza oven during operation.
19. Extreme caution should be exercised when using cooking or baking containers constructed of anything other than metal or ovenproof glass.
20. Be sure that nothing touches the top or bottom elements of the oven.
21. Do not place any of the following materials in the pizza oven: cardboard, plastic, paper, or anything similar.
22. Do not store any materials other than manufacturer's recommended accessories in this pizza oven when not in use.
23. This appliance is OFF when the Time Control Knob Control is in the "OFF" position.
24. Always wear protective, insulated oven gloves when inserting or removing items from the hot oven.
25. This appliance has a tempered, safety glass door. The glass is stronger than ordinary glass and more resistant to breakage. Tempered glass can still break around the edges. Avoid scratching door surface or nicking edges.
26. Do not use outdoors.
27. Do not use appliance for other than intended use.
28. Do not clean the inside of the oven with metal scouring pads. Pieces can break off the pad and touch electrical parts, creating a risk of electric shock.

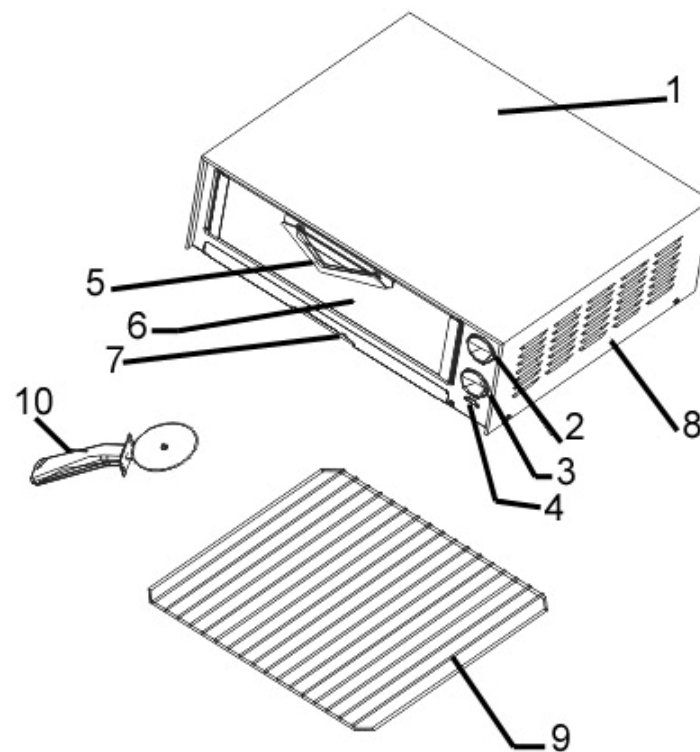
This unit has a short power supply cord to reduce the risk resulting from becoming entangled in or tripping over a long cord. An extension cord may be used if you are careful in its use:

1. The electrical rating of the extension cord should be at least as great as the electrical rating of the appliance.
2. An extension cord with the power cord must be arranged so that it will not drape over the countertop or tabletop where they can be pulled on by children or tripped over accidentally.

SAVE THESE INSTRUCTIONS For Household Use Only

WARNING: To reduce the risk of electric shock, this appliance has a polarized plug (one blade is wider than the other). This plug will fit in a polarized outlet only one way. If the plug does not fit fully in the outlet, reverse the plug. If it still does not fit, contact a qualified electrician to install the proper outlet. Do not modify the plug in any way.

GETTING TO KNOW YOUR PIZZA OVEN



- | | |
|-------------------------------|--------------------------|
| 1. Main Housing | 6. Tempered Glass Window |
| 2. Temperature Control Knob | 7. Crumb Tray |
| 3. On/Off – Time Control Knob | 8. Air Vents |
| 4. Power "On" Light | 9. Wire Rack |
| 5. Door Handle | 10. Pizza Cutter |

***Note:** Illustrations may differ from actual unit.

Technical Specifications

Voltage: 120V., 60Hz.
Power: 1450 Watts

OPERATING INSTRUCTIONS

Read all the sections of this booklet and follow all the instructions carefully.

Before Using Your Pizza Oven

1. Make sure that the pizza oven is unplugged and the On/Off-Time Control Knob is in the "Off" position.
2. Wash the wire rack, crumb tray and pizza cutter in hot, soapy water or in the dishwasher.
3. Thoroughly dry all the accessories and re-assemble the pizza oven.
4. Plug the power cord into the electrical wall outlet.
5. After re-assembling your pizza oven, we recommend that you run the unit at the highest temperature (450°F) for approximately 15 minutes to eliminate any packing residue that may remain after shipping. This will also remove all traces of odor initially present.

Please Note: Initial start-up operation may result in minimal smell and smoke (about 15 minutes). This is normal and harmless. It is due to the burning of the protective substance applied to the heating elements in the factory.

Using Your Pizza Oven


You can use your Pizza Oven to cook more than just pizza. It can be used to make garlic bread, grilled sandwiches, tuna melts, grilled vegetables, etc.

For best results, it is recommended to pre-heat the pizza oven for 15 minutes on 450°F.

1. Set the temperature control to the desired temperature.
2. Turn the On/Off-Time Control knob to the desired time.
3. Preheat the oven.
4. Place the wire rack in the pizza oven.
5. Place the food on the wire rack and slide the wire rack in. If you are making vegetables or anything that cannot be placed directly onto the wire rack, you can use a small pan that will fit into the oven.

6. When cooking is complete, turn the On/Off-Time Control Knob to the "Off" position and remove the plug from the electrical wall outlet.

Care & Cleaning

 **Warning: Be sure to unplug the oven and allow it to cool before cleaning.**

Your pizza oven features a continuous clean coating that automatically cleans itself during normal operation. Any spattering that occurs while cooking and comes into contact with the continuous coating is oxidized while the oven is in operation. If desired, wipe the walls with a damp sponge, cloth or nylon scouring pad and mild detergent. **DO NOT USE STEEL WOOL SCOURING PADS, ABRASIVE CLEANERS OR SCRABE THE WALLS WITH A METAL UTENSIL, AS ALL OF THESE METHODS MAY DAMAGE THE CONTINUOUS CLEAN COATING.**

All accessories should be washed in hot soapy water or can be cleaned in a dishwasher. The door can be wiped with a damp sponge and wiped dry with a paper or cloth towel. Clean the outside with a damp sponge. **DO NOT USE AN ABRASIVE CLEANER AS IT MAY DAMAGE THE EXTERIOR FINISH.**

LET ALL PARTS AND SURFACES DRY THOROUGHLY PRIOR TO PLUGGING OVEN IN AND USING.

Model TO297

EURO-PRO

ONE (1) YEAR LIMITED WARRANTY

EURO-PRO OPERATING LLC warrants this product to be free from defects in material and workmanship for a period of one (1) year from the date of purchase when utilized for normal household use.

If your appliance fails to operate properly while in use under normal household conditions within the warranty period, return the complete appliance and accessories, freight prepaid. For Customer Service support, call 1 (800) 798-7398 or visit our website www.euro-pro.com.

If the appliance is found to be defective in material or workmanship, **EURO-PRO Operating LLC** will repair or replace it free of charge. Proof of purchase date and \$16.95 to cover the cost of return shipping and handling must be included.*

The liability of **EURO-PRO Operating LLC** is limited solely to the cost of the repair or replacement of the unit at our option. This warranty does not cover normal wear of parts and does not apply to any unit that has been tampered with or used for commercial purposes. This limited warranty does not cover damage caused by misuse, abuse, negligent handling or damage due to faulty packaging or mishandling in transit.

This warranty is extended to the original purchaser of the unit and excludes all other legal and/or conventional warranties. The responsibility of **EURO-PRO Operating LLC**, if any, is limited to the specific obligations expressly assumed by it under the terms of the limited warranty. **In no event is EURO-PRO Operating LLC** liable for incidental or consequential damages of any nature whatsoever. Some states do not permit the exclusion or limitation of incidental or consequential damages, so the above may not apply to you.

This warranty gives you specific legal rights, and you may also have other rights which vary from state to state or province to province.

***Important: Carefully pack item to avoid damage in shipping. Be sure to include proof of purchase date and to attach tag to item before packing with your name, complete address and phone number with a note giving purchase information, model number and what you believe is the problem with item. We recommend you insure the package (as damage in shipping is not covered by your warranty). Mark the outside of your package "ATTENTION CUSTOMER SERVICE". We are constantly striving to improve our products, therefore the specifications contained herein are subject to change without notice.**



OWNERSHIP REGISTRATION CARD FOR CANADIAN CONSUMERS ONLY

Please fill out and mail the product registration card within ten (10) days of purchase. The registration will enable us to contact you in the unlikely event of a product safety notification. By returning this card you acknowledge to have read and understood the instructions for use, and warnings set forth in the accompanying instructions.

RETURN TO EURO-PRO OPERATING LLC, 4400 Bois Franc, St. Laurent, Qc H4S 1A7

TO297

Appliance model

Date purchased

Name of store

Owner's name

Address

City

Prov.

Postal Code