

# White-Westinghouse

## Factory Parts Catalog

|                                  |                    |
|----------------------------------|--------------------|
| <b>Product No.</b>               | <b>WWGF3000KWB</b> |
| <b>Series</b>                    | 30" f/s gas        |
| <b>Color</b>                     | white              |
| <b>Market</b>                    | North American     |
| <b>Wiring Diagram</b>            | 316255203          |
| <b>Owner's Guide</b>             | 316417174          |
| <b>Installation Instructions</b> | 316469107          |

 **Electrolux**

Electrolux Major Appliances  
North & Latin America  
P.O. BOX 212378  
AUGUSTA, GA 30917

Publication No.  
**5995532560**  
09/02/04  
(EN/SERVICE/BJH)  
369

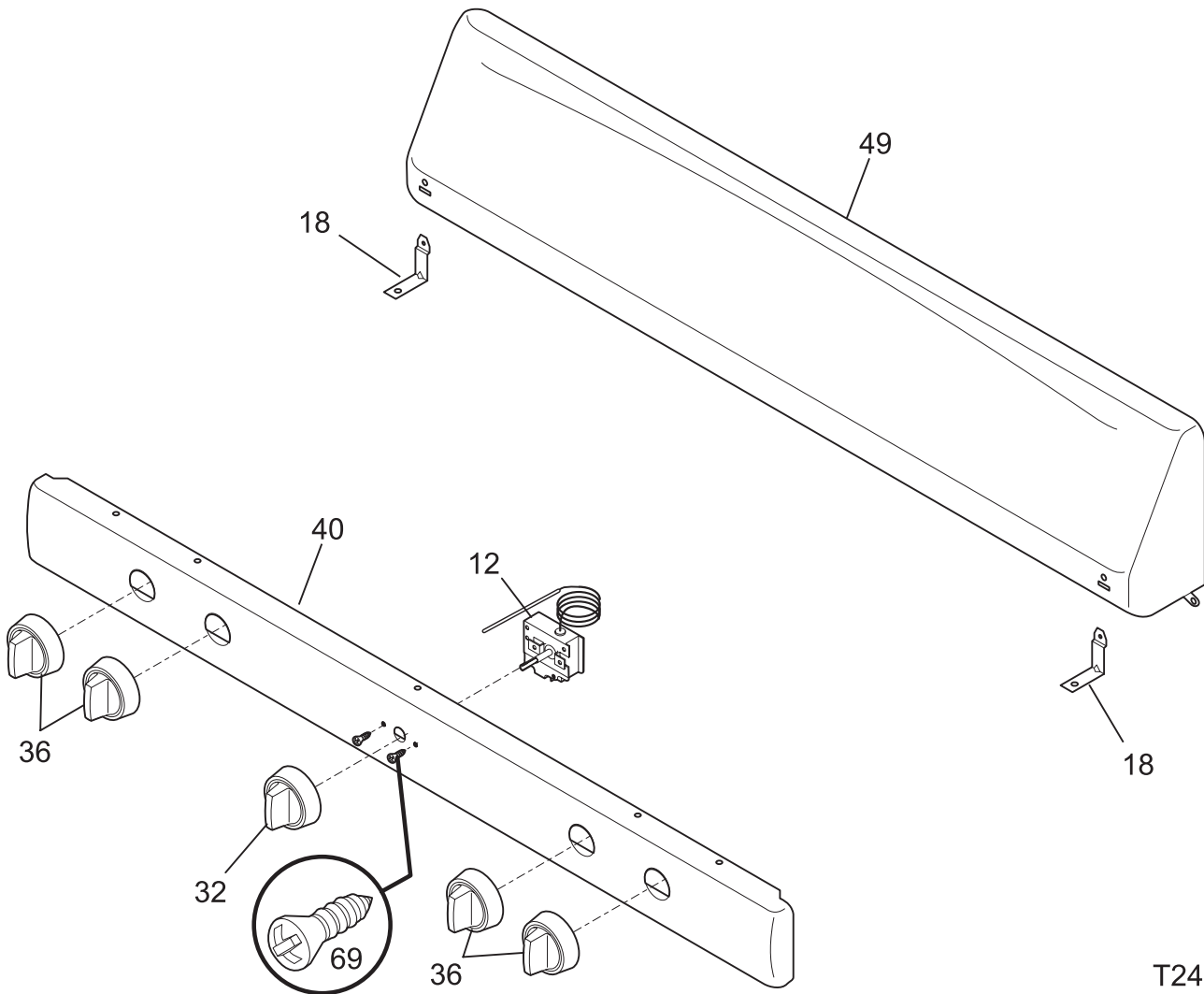
**30-INCH FREE-  
STANDING GAS  
RANGE**

**Model No.  
WWGF3000K**

Copyright © 2009 Electrolux Home Products, Inc.  
All rights reserved.

**BACKGUARD**

---



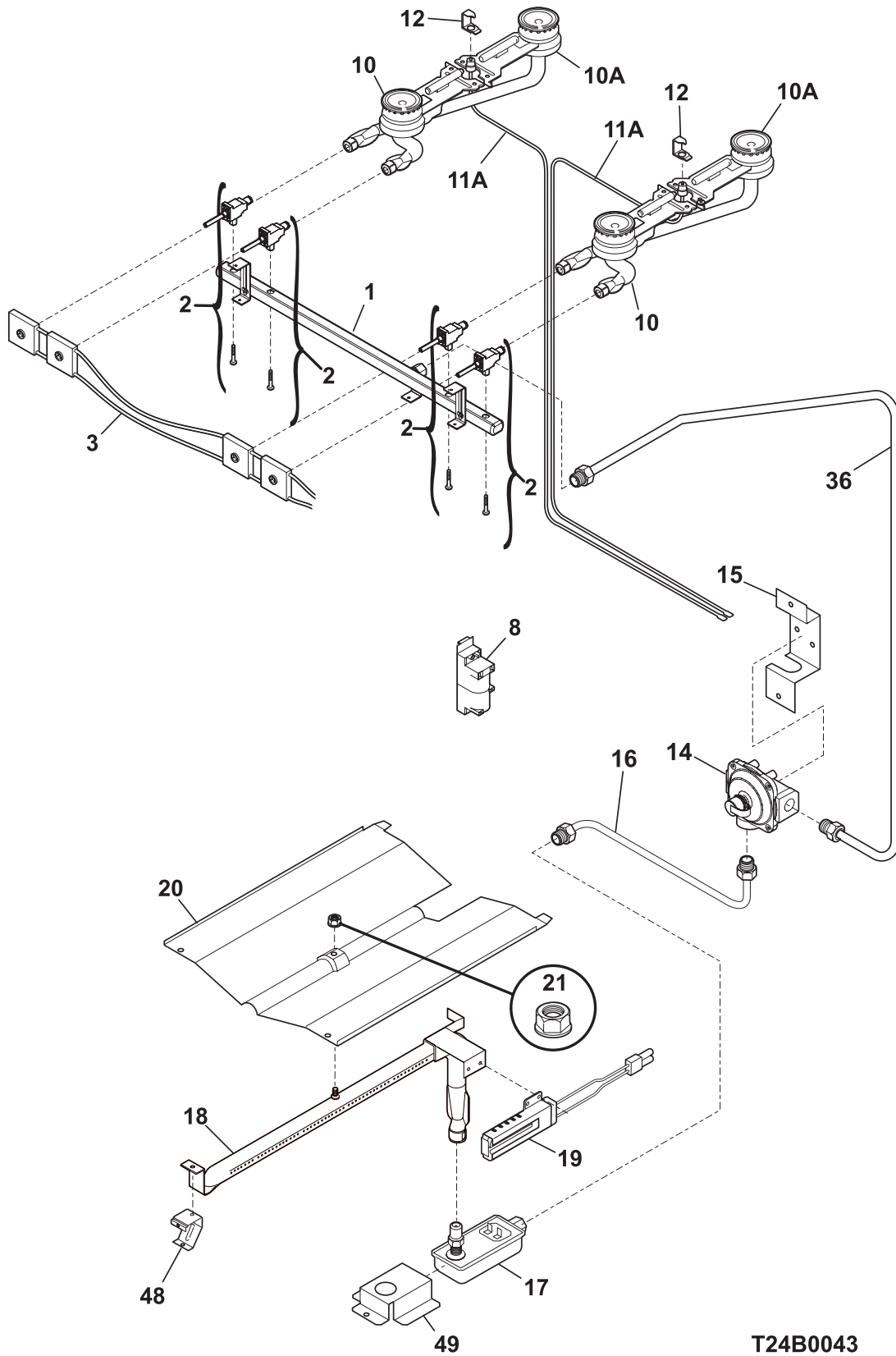
T24G0031

**BACKGUARD**

---

| <b>POS. NO</b> | <b>PART NO.</b> | <b>DESCRIPTION</b>                         |
|----------------|-----------------|--|
| 12 #           | 316032411       | Thermostat                                 |
| 12*            | 316097602       | Insulator                                  |
| 18             | 316263900       | Bracket, backguard                         |
| 32             | 316102303       | Knob, thermostat, white                    |
| 36             | 316009045       | Knob, top valve, white, (4)                |
| 40             | 316458046       | Panel, manifold, white                     |
| 49             | 316263802       | Panel, backguard, white                    |
| 69             | 5303288565      | Screw, truss sqdr, 8-32 x 3/16, switch mtg |
| *              | 316021108       | Screw, cup pt, 8-18 x 0.375, chrome        |

**BURNER**

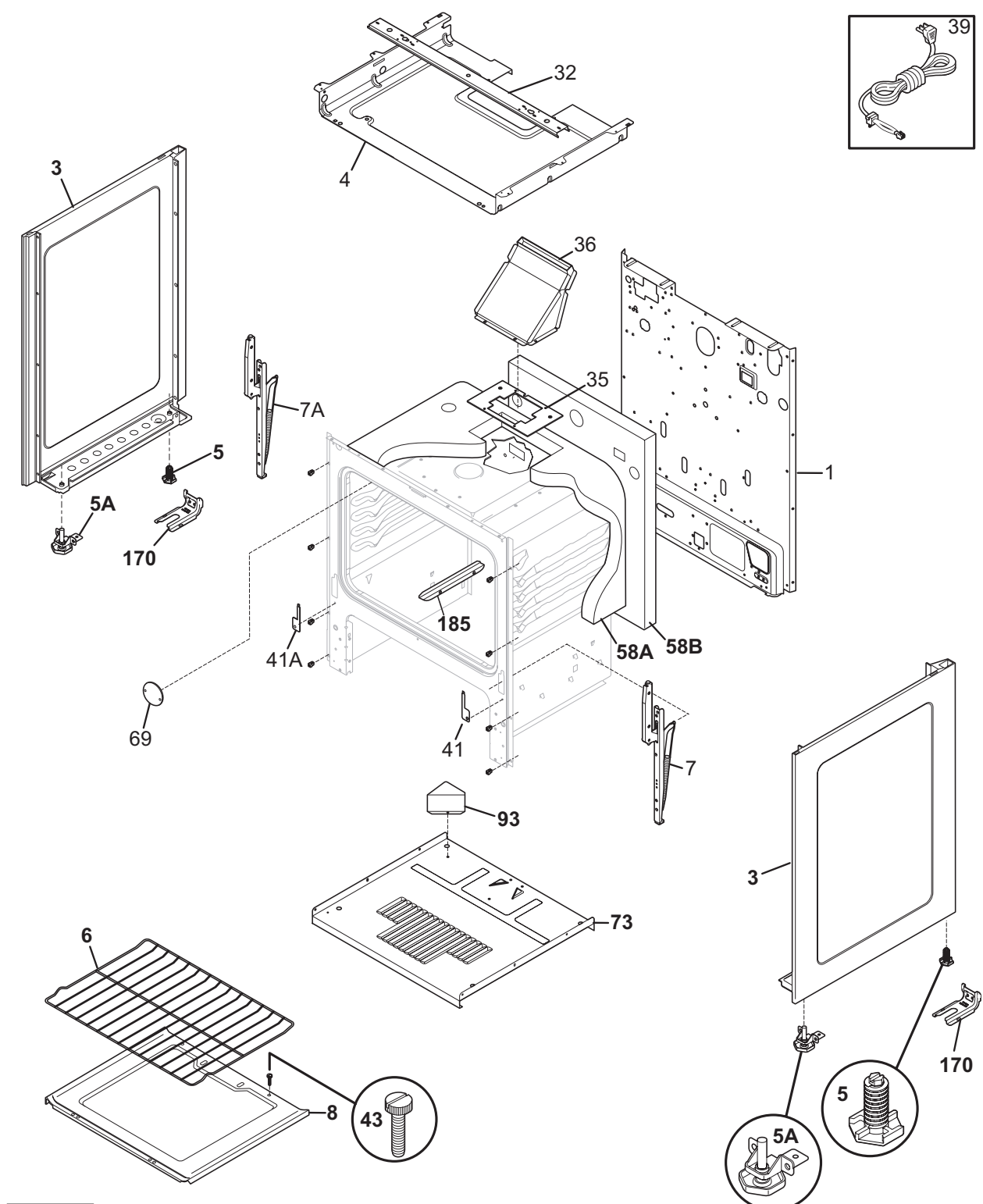


**T24B0043**

**BURNER**

| POS. NO | PART NO.   | DESCRIPTION                                       |
|---------|------------|---|
| 1 #     | 316547300  | Pipe, manifold                                    |
| 2 #     | 5304458372 | Valve, top burner, w/mtg screw                    |
| *       | 316215600  | Screw, valve mtg., 1/4 - 20                       |
| 3 #     | 316219014  | Wiring Harness, w/igntr switch                    |
| 8 #     | 316135700  | Module, spark                                     |
| 10 #    | 316103800  | Burner, top, front, venturi ring                  |
| 10A#    | 316103801  | Burner, top, rear, venturi ring                   |
| 11A#    | 316081705  | Ignitor, top burner, 50"                          |
| 12      | 3016993    | Retainer, ignitor                                 |
| 14 #    | 316416700  | Regulator, pressure                               |
| 14*     | 316021104  | Screw, hex, 8-18 x 3/8, nick, (3), regulator brkt |
| 15      | 316091600  | Bracket, regulator                                |
| 16 #    | 316436500  | Tube-valve to rgltr, 3/8                          |
| 17 #    | 3203459    | Valve, safety                                     |
| 18 #    | 316114300  | Burner, oven                                      |
| 19 #    | 316489402  | Ignitor, oven kit, w/nut & instr                  |
| 20      | 316496001  | Baffle, oven burner                               |
| 21      | 5303013272 | Nut, hex head sems                                |
| 36 #    | 316547200  | Tubing-aluminum, 3/8, alum                        |
| 48      | 3018603    | Bracket, support, oven burner                     |
| 49      | 316416300  | Bracket, safety valve                             |
| *       | 316243723  | LP Conversion Kit                                 |
| *       | 316001003  | Screw, ground wire                                |
| *       | 5303271648 | Screw, wafer hd sq dr, 8-18AB x 0.5               |

**BODY**



NOTE: Oven Liner N/A  
Ass. du four N/A

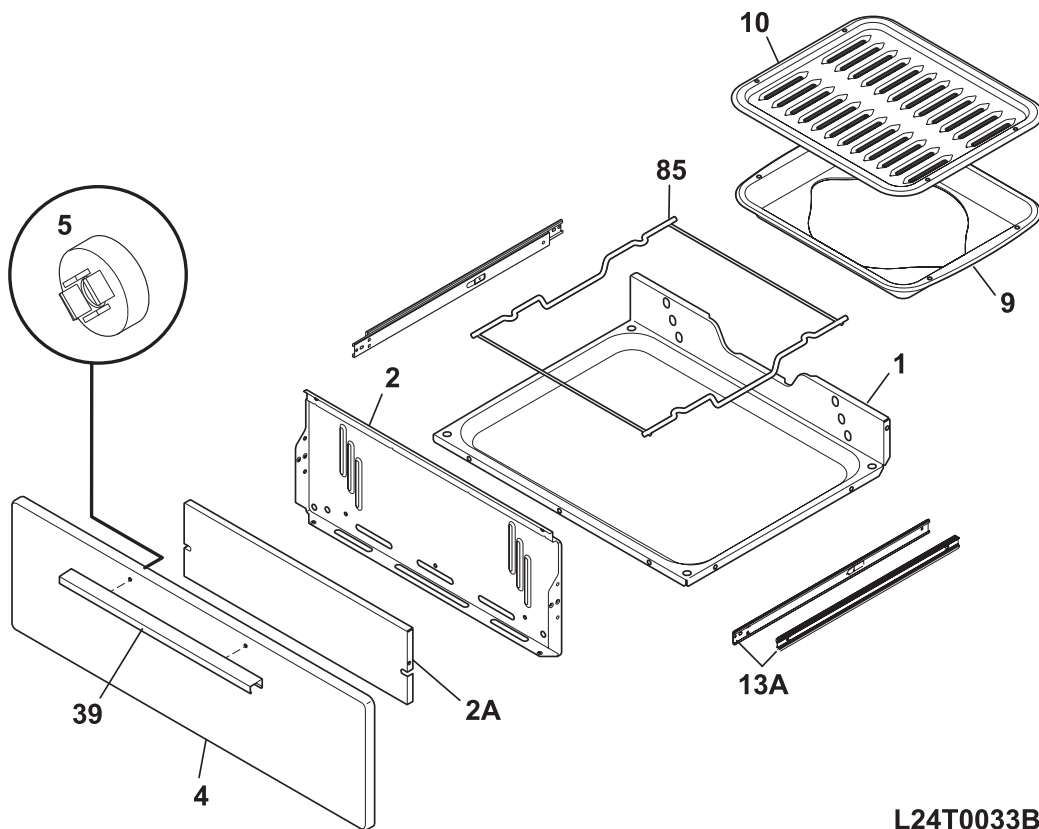
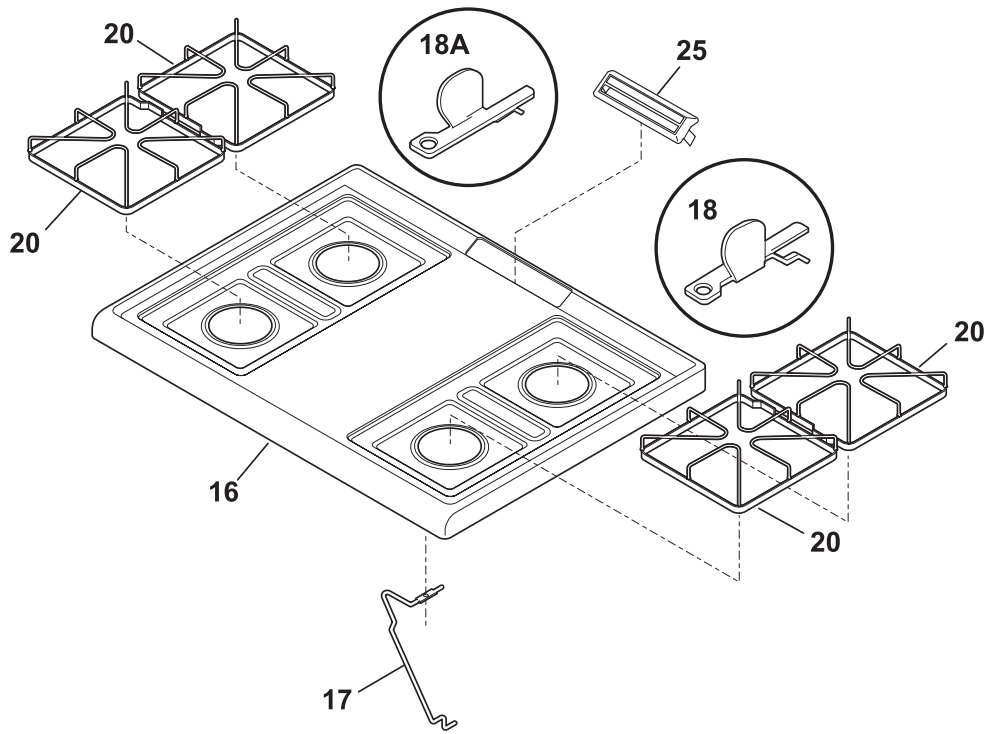
T24V0084A

## BODY

---

| POS. NO | PART NO.   | DESCRIPTION   |
|---------|------------|---|
| 1       | 316029415  | Panel, main back                                    |
| 3       | 316400116  | Panel, bodyside, white, RH                          |
| 3       | 316400117  | Panel, bodyside, white, LH                          |
| 4       | 316067211  | Burner Box  |
| 5       | 316272900  | Screw, leveling, plastic, rear, (2)                 |
| 5A      | 316498900  | Leveling Leg Assy, metal, front, (2), bracket & leg |
| 6       | 316067902  | Rack, oven, (2)                                     |
| 7       | 316216502  | Hinge, oven door, RH                                |
| 7A      | 316216503  | Hinge, oven door, LH                                |
| 8       | 316495901  | Panel,, oven bottom                                 |
| 8*      | 316064600  | Support, oven bottom                                |
| 27      | 5303284616 | Clip, thermo bulb mtg                               |
| 32      | 316107504  | Channel, burner support                             |
| 32*     | 5303289684 | Fastener, tanden wire, (2)                          |
| 35      | 316542100  | Gasket-flue   |
| 36      | 316204401  | Flue, black   |
| 39      | 3202006    | Cord, electric power                                |
| 41      | 316233400  | Cover, hinge cutout, RH                             |
| 41A     | 316233500  | Cover, hinge cutout, LH                             |
| 43      | 3131732    | Screw, 8-18 x 1.438, oven bottom                    |
| 58A     | 3017142    | Insulation, oven wrapper                            |
| 58B     | 316054202  | Insulation, 1", oven back                           |
| 69      | 3051218    | Plate, oven light                                   |
| 73      | 316109902  | Base, low broil                                     |
| 93      | 316110000  | Shield, ignitor, metal                              |
| 170     | 316112004  | Anti Tip Kit, assembly                              |
| 170*    | 316107200  | Bracket, anti-tip                                   |
| 170*    | 316116000  | Screw, concrete, 1.75", anti-tip brkt               |
| 170*    | 316541700  | Template, anti-tip                                  |
| 185     | 316112900  | Shield, thermo bulb                                 |
| * #     | 316001208  | Wiring Harness, main                                |
| *       | 316246400  | Plug, button, oven probe                            |
| *       | 316435800  | Plate, weight, (3)                                  |
| *       | 316539800  | Retainer, wire                                      |
| *       | 316021105  | Screw, hex head cup pt, 8-18 x 0.375, black         |
| *       | 316021110  | Screw, 8-18 x 0.5, black                            |
| *       | 316089500  | Screw, 10-16 x .486                                 |
| *       | 5303271648 | Screw, wafer hd sq dr, 8-18AB x 0.5                 |
| *       | 5303285179 | Screw, wafer head, 8-32T x 0.500, black             |

TOP/DRAWER



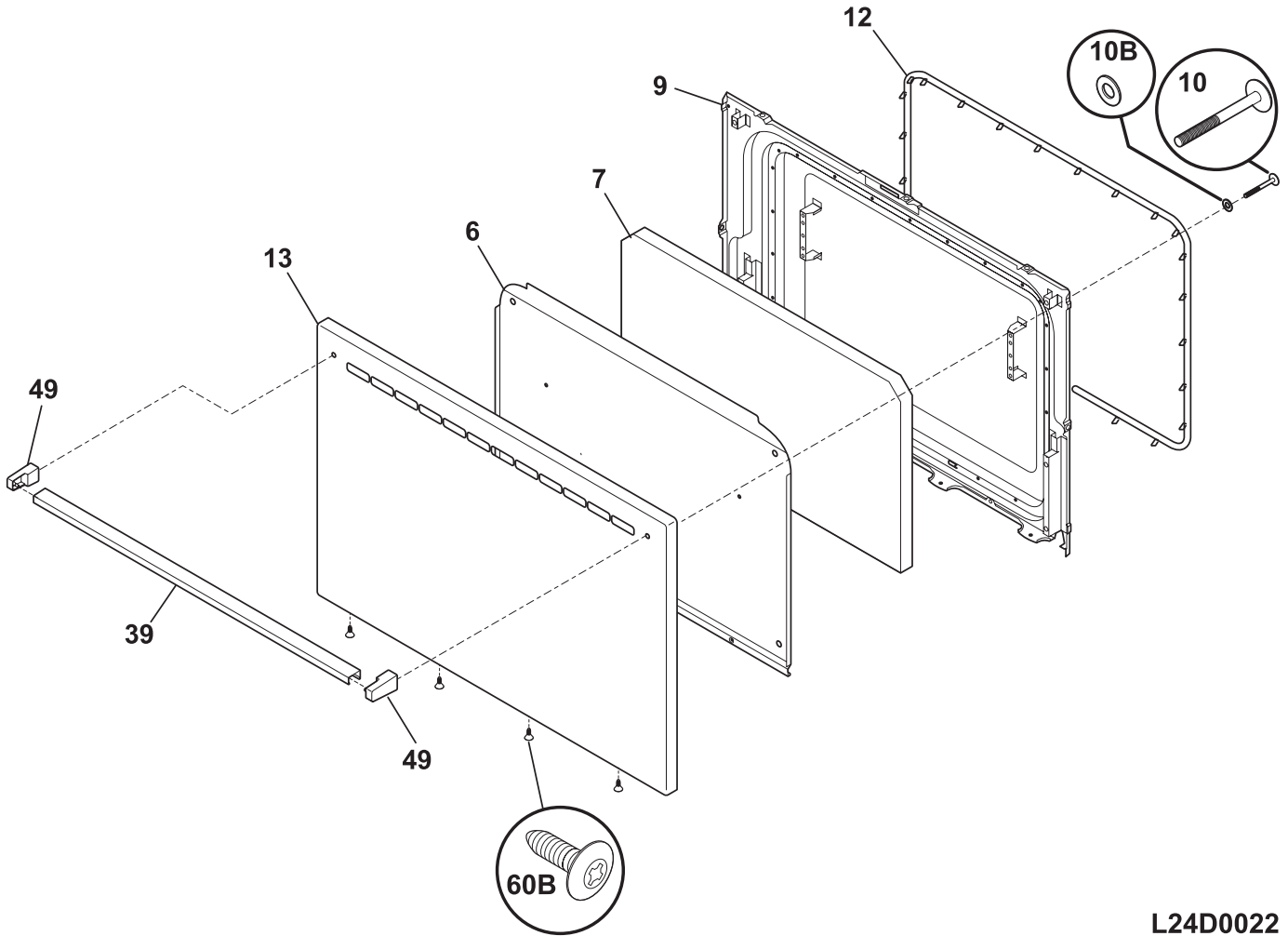
L24T0033B



**TOP/DRAWER**

| POS. NO | PART NO.  | DESCRIPTION   |
|---------|-----------|---|
| 1       | 316110201 | Carriage, low broil                                 |
| 2       | 316236401 | Liner, low broil                                    |
| 2A      | 316541500 | Shield, broiler                                     |
| 4       | 316231211 | Panel, drawer, white                                |
| 5       | 316129100 | Fastener, push-in nut, nylon, spacer                |
| 9       | 316081902 | Pan, broiler, slate blue                            |
| 10      | 316082002 | Insert, broiler pan, slate blue                     |
| 13A     | 316534200 | Glide-Low Broil, Inner                              |
| 16      | 316273001 | Main Top, white                                     |
| 17      | 316066900 | Rod, maintop support                                |
| 18      | 08067747  | Bracket, hinge, main top RH                         |
| 18A     | 08067746  | Bracket, hinge, main top LH                         |
| 20 #    | 316277801 | Grate, black, (4)                                   |
| 25      | 316104500 | Cover, vent, chrome                                 |
| 39      | 316019511 | Handle, drawer, white                               |
| 85      | 316115600 | Rack, low broil                                     |
| *       | 316021105 | Screw, hex head cup pt, 8-18 x 0.375, black         |
| *       | 316021110 | Screw, 8-18 x 0.5, black                            |
| *       | 316021120 | Screw, shoulder head, 8-18 x 5/8, (2), square drive |

**DOOR**



**L24D0022**

---

**DOOR**


---

| POS. NO | PART NO.   | DESCRIPTION                                     |
|---------|------------|---|
| 6       | 316222705  | Shield, wool, oven door                         |
| 7       | 316236801  | Insulation, oven door                           |
| 9       | 316230621  | Liner, oven door                                |
| 10      | 316001009  | Screw, waf hd sq, 10-24 x 1.88, (2), handle mtg |
| 10B     | 316008401  | Washer, 3/4 OD x 1/4 ID, steel                  |
| 12      | 316239700  | Seal, oven door                                 |
| 13      | 316202603  | Panel, oven door, white                         |
| 39      | 316020202  | Handle, oven door, white                        |
| 49      | 316137000  | End Cap, handle, white, (2)                     |
| 60B     | 316021110  | Screw, 8-18 x 0.5, black                        |
| *       | 316433600  | Label, anti-tip                                 |
| *       | 3131737    | Washer, black                                   |
| *       | 5303285179 | Screw, wafer head, 8-32T x 0.500, black         |
| *       | 5303271648 | Screw, wafer hd sq dr, 8-18AB x 0.5             |