

HIGH SPEED OVEN INSTALLATION INSTRUCTIONS

**INSTALLATION AND SERVICE MUST BE PERFORMED BY A QUALIFIED INSTALLER.
IMPORTANT: SAVE FOR LOCAL ELECTRICAL INSPECTOR'S USE.
READ AND SAVE THESE INSTRUCTIONS FOR FUTURE REFERENCE.**

⚠ WARNING The electrical requirements for this oven are 240 volts, 15 amps.
The oven has a 6-15 plug and requires a 6-15 receptacle.

NOTE:

1. Base must be capable of supporting 200 pounds (90.7 kg).
2. Make sure base is level and front of cabinet is square. If the cabinet base is not level, the oven will tend to slide out when opening the door.
3. Minimum required distance is 36" (91.44 cm) from the floor.
4. At the rear of the opening, provide a 3 pronged, polarized, electrical outlet, 240 volt A.C., 15 amp. or larger. This outlet should not be located in the shaded area of Figure 1. It is exceedingly important that the outlet be 240 volts and 15 amps. for optimum oven performance.
5. Minimum required distance between the high speed oven and the wall oven should be 3-inches.

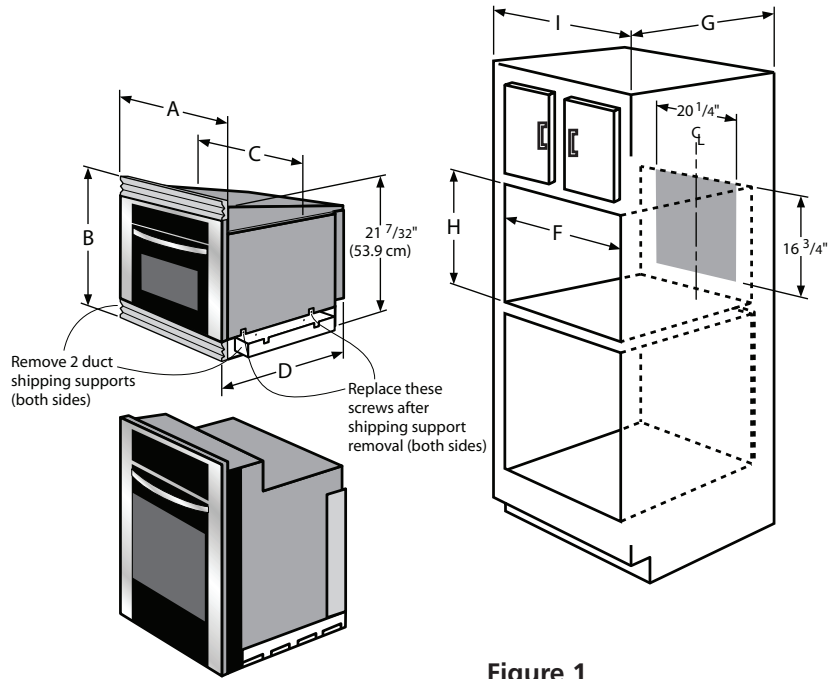


Figure 1

PRODUCT DIMENSIONS						
MODEL	A	B	C	D		
30" (76.2) High Speed Oven	30" (76.2)	22 ²⁷ / ₃₂ " (58.0)	21 ¹ / ₄ " (54.0)	22 ¹⁵ / ₁₆ " (58.2)		
CUTOUT DIMENSIONS AND CABINET WIDTH						
MODEL	Min. F	Max.	G	Min. H	Max.	I
30" (76.2) High Speed Oven	22 ³ / ₈ " (56.8)	22 ⁵ / ₈ " (57.5)	24" (61.0) min.	21 ¹¹ / ₁₆ " (55.1)	21 ¹⁵ / ₁₆ " (55.7)	30" (76.2) min.

All dimensions are in inches (cm).

Important Notes to the Installer

1. Read all instructions contained in these installation instructions before installing the high speed oven.
2. Remove all packing material from the oven compartments before connecting the electrical supply to the high speed oven. Remove the 2 shipping duct supports (see figure 1) by removing the 4 screws securing them. Reinsert 2 screws (each side) to secure the stainless cover.

3. Observe all governing codes and ordinances.
4. Be sure to leave these instructions with the consumer.

Important Note to the Consumer

Keep these instructions with your Owner's Guide for future reference.

HIGH SPEED OVEN INSTALLATION INSTRUCTIONS

IMPORTANT SAFETY INSTRUCTIONS

- **Never use your high speed oven for warming or heating the room.** Prolonged use of the high speed oven without adequate ventilation can be dangerous.

1. Carpentry

Refer to figure 1 for the dimensions applicable to your appliance, and the space necessary to receive the oven. The oven support surface may be solid plywood or similar material, however the surface must be level from side to side and from front to rear.

2. Electrical Requirements

This appliance must be supplied with the proper voltage and frequency, and connected to an individual, properly grounded branch circuit, protected by a circuit breaker or fuse, having amperage as noted on the rating plate (the rating plate is located on the oven frame).

Observe all governing codes and local ordinances

CAUTION During cold temperature weather to prevent damage to the oven control, wait at least three (3) hours after receiving this built-in oven before switching the power. This will prevent possible damage to the built-in oven control at power on.

3. Cabinet Installation

WARNING The high speed oven can tip when the door is open. The Anti-Tip brackets supplied with the high speed oven must be attached to the cabinet and the appliance to prevent tipping of the high speed oven and injury to persons.

Anti-tip Brackets Installation Instructions

1. Unpack the high speed oven and find the 2 Anti-Tip brackets and screws included in the literature package.
2. Install the Anti-Tip bracket in the cabinet as shown on figure 2. **Note:** To prevent damage to cabinet, it is recommended to drill $\frac{1}{16}$ " (0.16 cm) dia. pilot holes before installing the Anti-Tip brackets.

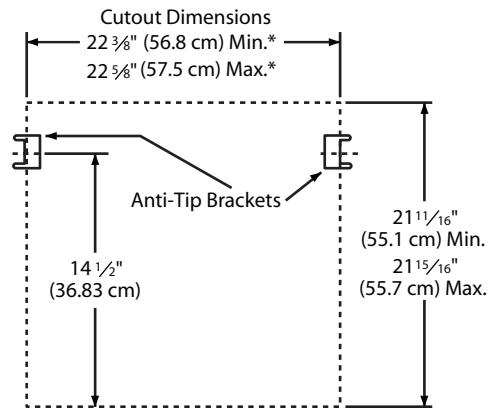
3. High Speed Oven Installation

CAUTION Never hold the door handle when moving the oven. Two persons are required to install the oven.

Place the oven adjacent to the opening on a table or stand. Plug the power supply cord into the electrical outlet. Carefully guide the oven into the prepared opening. Avoid pinching cord between oven and wall (see figure 3). Push the unit in and against the cabinet. The oven side bracket will clip into the Anti-Tip brackets (see figure 2).

4. To pull out the oven for servicing insert the tool supplied with the appliance both side at the same time in the hole located on the side frame and visible when the door is opened. After inserting the tool pull the oven towards you (see figure 4).

HIGH SPEED OVEN INSTALLATION INSTRUCTIONS



* Recommended Cutout Width is 22 1/2" (57.2 cm)

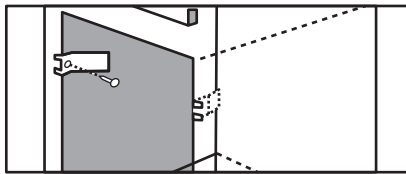


Figure 2

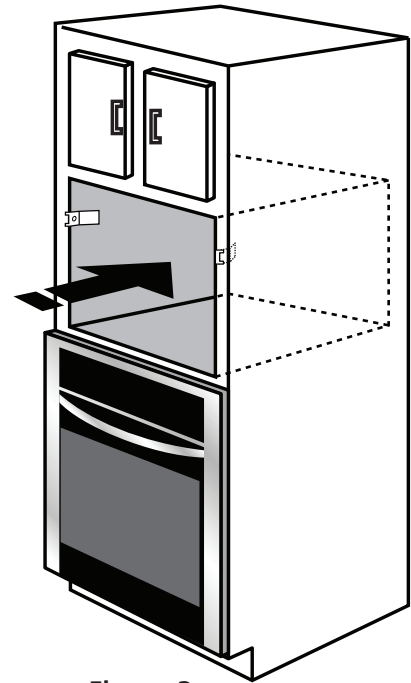
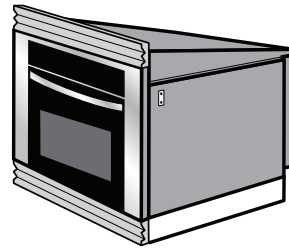


Figure 3

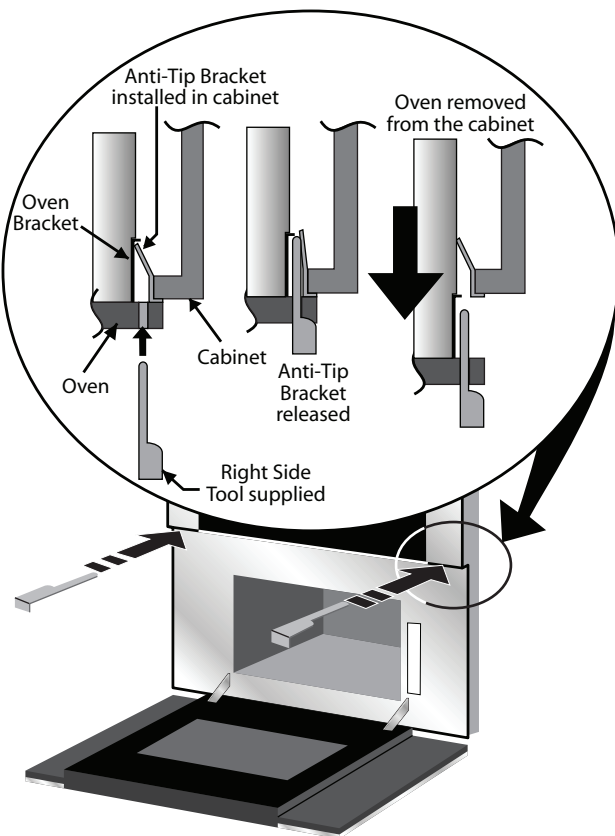


Figure 4

Model and Serial Number Location

The serial plate is located on the oven faceplate.

When ordering parts for or making inquiries about your oven, always be sure to include the model and serial numbers and a lot number or letter from the serial plate on your oven.

Before You Call for Service

Refer to the warranty in your [Use & Care Guide](#) for our toll-free service number and address. Please call or write if you have inquiries about your product and/or need to order parts.

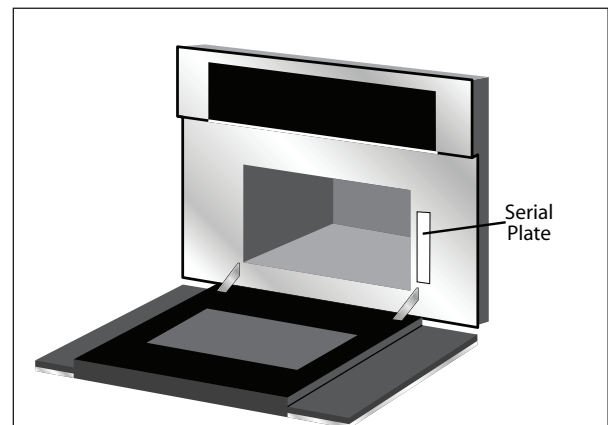


Figure 5

