

# Single Wall Ovens

EW30EW55G S, EW30EW55G W, EW30EW55G B

Featuring Wave-Touch™ Electronic Controls



### Luxury-Glide™ Oven Racks

With a ball bearing system, oven racks are so smooth they extend effortlessly.



### Sure-2-Fit™ Capacity

Coordinate an entire meal – our oven features 4.2 cubic feet of cooking space with three adjustable baking racks.



### Baking Options

Features 7 cooking modes and 10 cooking options including our exclusive Perfect Turkey™ button for large holiday meals. Perfect Convection™ Third Element European Convection System features a variable 2-speed fan for more even cooking.



### Luxury-Design™ Lighting

Our ramp-up designer halogen lighting is as beautiful as it is functional and our Luxury-Hold™ oven door stays put at whatever angle you place it.

## 30" ELECTRIC SINGLE WALL OVENS

Configuration	Single
Sabbath Mode (Star-K® Certified)	Yes

### Control Panel Features

Wave-Touch™ Electronic Oven Control	Yes
Keypad Entry of Time & Temperature	Yes
Electronic Clock & Timer	Yes
Temperature Display	Yes
Automatic Oven (Delay, Cook & Off)	Yes
Lockout	Yes
Automatic Oven Shutoff – 12 Hour	Yes
Programmable for °F or °C	Yes
Luxury-Design™ Halogen Oven Light Touch Pad	Yes

### Oven Features

Oven Cavity	4.2 Cu. Ft.
Hidden Bake Element	Yes
Electric Bake Element – 2200 Watts	Yes
Eight-Pass Broil Element – 4000 Watts	Yes
Convection Element – 2500 Watts	Yes
Cobalt Blue Interior	Yes
Self-Clean Options with Door Lock	3
Perfect Convection™ with Variable 2-Speed Fan	Yes

Cooking Modes – Bake, Broil, Convection Bake, Convection Roast, Convection Broil, Keep Warm, Slow Cook	7
--	---

Cooking Options – Perfect Turkey™, Defrost, Dehydrate, Bread Proof, My Favorites, Multi-Stage Cooking, Temperature Probe, Rapid Preheat, Delay Bake, Convection Convert	10
--	----

Luxury-Design™ Lighting with Dual 40W Halogen Bulbs	Yes
Luxury-Glide™ Racks	2
Conventional Racks	1
Convection Roasting Rack	Yes

### Additional Features

Signature Soft-Arc Oven Door and Handle Design	Yes
Luxury-Hold™ Oven Door	Yes
Extra-Large Glass Window	Yes

### Accessories

Porcelain Broiler Pan and Insert	Included
3"-high Bottom Trim: S – 903114-9110, W – 903114-9101, B – 903114-9100	Optional

### Color / UPC (0-57112-)

Stainless Steel (S)	09707-7
White (W)	09705-3
Black (B)	09706-0

### Specifications

Oven Cavity Dimensions –	
Height	16-1/2"
Width	24-1/8"
Depth	18-1/32"

Overall Exterior Dimensions –	
Height (Without 1" Bottom Trim)	29"
Width	30"
Depth (to Front Door Corner) (with 90° Door Open)	24-1/2" 44"

Power Supply Connection Location	Left Bottom Rear
Connected Load (kW Rating) @ 240/208 Volts	4.0/3.0
Amps @ 240/208 Volts	17.0/14.5
Minimum Circuit Required (Amps)	20
Armored Electrical Cable	Included
Approved for Under-Counter Installation*	Yes
Product Weight	200 Lbs.
Shipping Weight	218 Lbs.

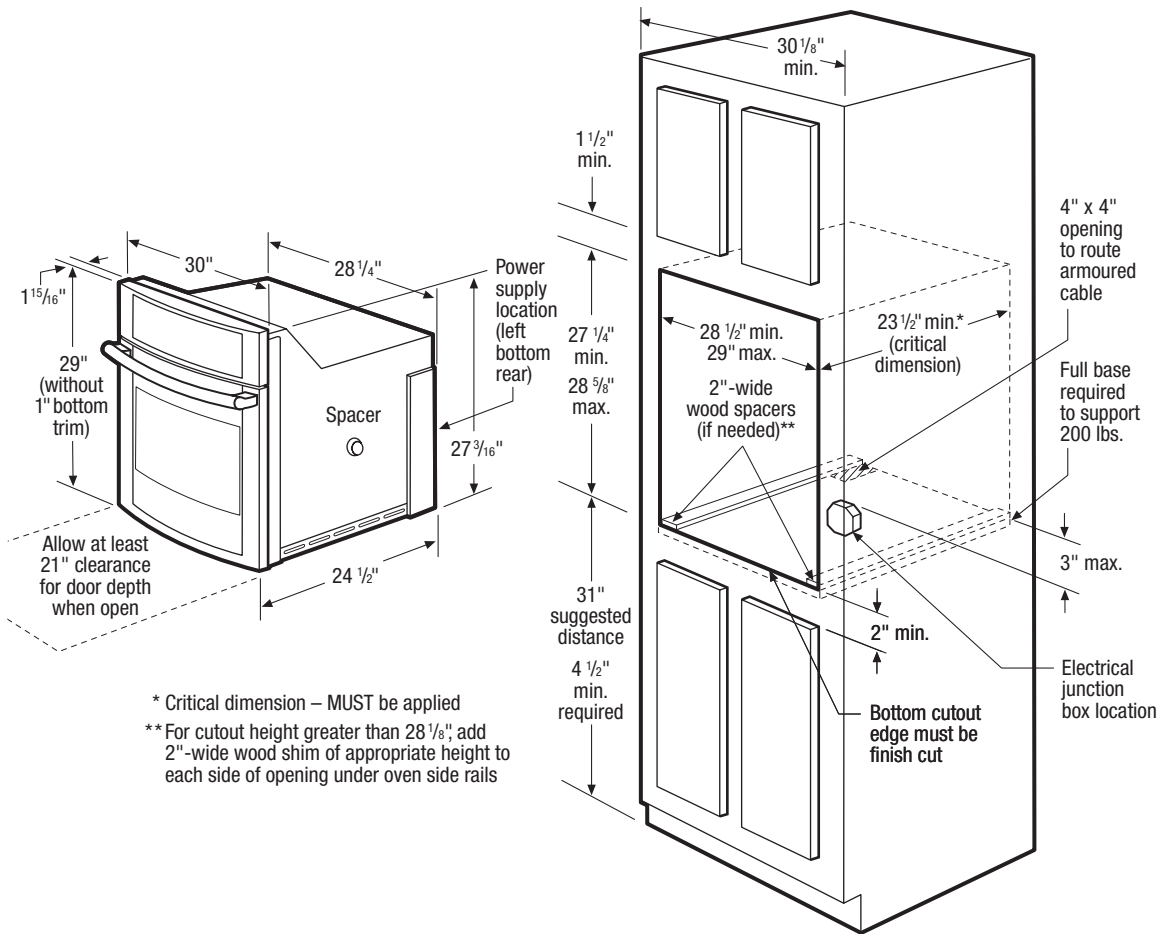
\*Single Wall Oven is approved to be used beneath Electrolux gas cooktop models EW30GC55G and EW36GC55G; and Electrolux electric cooktop models EW30CC55G, EW36CC55G, EW30EC55G and EW36EC55G.

NOTE: Always consult local and/or national electric codes. Refer to Product Installation Guide for detailed installation instructions on the web at [www.electroluxappliances.com](http://www.electroluxappliances.com).

Specifications subject to change.

# Single Wall Ovens

EW30EW55G S, EW30EW55G W, EW30EW55G B



## 30" Electric Single Wall Ovens Specifications

- Product Weight – 200 Lbs.
- Single phase 3- or 4-wire cable, 120/240 or 120/208 Volt, 60 Hertz AC only electrical supply with ground required on separate circuit fused on both sides of line.
- Connected Load (kW Rating) @ 240/208 Volts = 4.0/3.0kW
- Amps @ 240/208 Volts = 17.0/14.5 Amps
- Recommended Circuit Breaker – 20 Amps
- Always consult local and/or national electric codes.
- Minimum 21" clearance for oven door depth when open.
- Suggested distance from floor is 31". Minimum required distance is 4-1/2".
- Minimum 23-1/2" deep cutout dimension is critical for proper installation, to ensure that oven's faceplate will fit flush against cabinet front.
- For cutout height greater than 28-1/8", add a 2"-wide wood shim of appropriate height to each side of opening under oven side rails.
- Standard 1"-high Bottom Trim included.
- To adapt Single Wall Oven to fit cutout height greater than 28-5/8", optional 3"-high, Bottom Trim available.

- Full oven base of solid plywood or similar material required, capable of supporting 200 Lbs.
- Base must be level and cabinet front must be square with finish-cut bottom edge.
- Single Wall Ovens are NOT approved to be used in stackable or side-by-side installation.
- Single Wall Ovens are approved to be used in under-counter installation.
- Single Wall Ovens are approved to be used beneath Electrolux gas cooktop models EW30GC55G and EW36GC55G; and electric cooktop models EW30EC55G, EW36EC55G, EW30CC55G and EW36CC55G.
- Single Wall Ovens are approved to be used in combination with any Electrolux Warmer Drawer.

**Note: For planning purposes only. Refer to Product Installation Guide on the web at [electroluxappliances.com](http://electroluxappliances.com) for detailed instructions.**

### Optional Accessories

- 3"-high Bottom Trim: S – (903114-9110), W – (903114-9101), B – (903114-9100).



USA • 250 Bobby Jones Expressway • Augusta, GA 30907 • 1-877-4electrolux (1-877-435-3287) • [electroluxappliances.com](http://electroluxappliances.com)  
 CANADA • 5855 Terry Fox Way • Mississauga, ON L5V 3E4 • 1-800-265-8352 • [electroluxappliances.ca](http://electroluxappliances.ca)

EW30EW55G 01/08

© 2008 Electrolux Major Appliances, NA



High standards of quality at Electrolux Major Appliances mean we are constantly working to improve our products. We reserve the right to change specifications or discontinue models without notice.

Printed in the U.S.A.