

MODEL 110 Modular

WOOD-FIRED OVEN



43" Interior cooking area

Wall and dome elements are a dense superior high temperature refractory material composed of 80% alumina and other advanced elements for extra durability, heat retention and longevity.

High Thermal Mass for excellent heat retention.

Hearth Floor Tiles - "Pierre de Boulanger" are cold pressed at 8,500 psi and ceramitized at 2800F degrees.

Large oven entrance opening allows for maximum visibility and easy usage.

Shipping Weight: 1,700 lb

Model 110 Modular Oven Includes:

Floor Tiles (25)

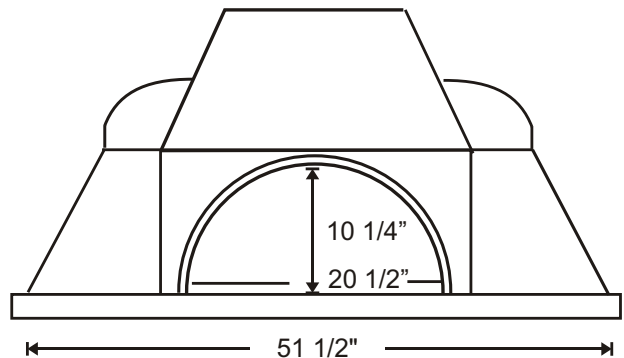
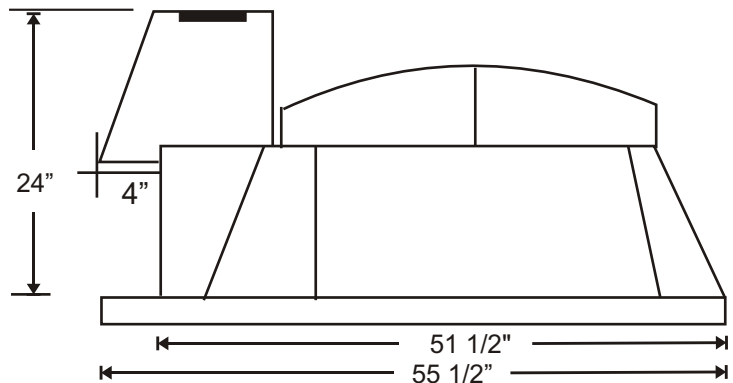
- 5 - 12" X 6"
- 20 - 12" X 12"

Oven Pieces:

- Primary Hood
- Dome Pieces (2)
- Side Wall Pieces (4)
- Front Entrance Piece

Additional Items:

- Steel Entrance Plate (black)
- Thick Cast Aluminum Door
- Dial Temperature Gauge (probe 3ft)
- Refractory Cement (22 lb / 10 kg Bag)
- Galvanized Metal Flashing
- High Heat Silicone Tube
- Plywood Spacers
- Refractory Cement (container)
- Package of Fire Starters
- Stainless Steel Pizza Peel
- 4" x16" Screened Vent
- Installation Instructions and Video/DVD



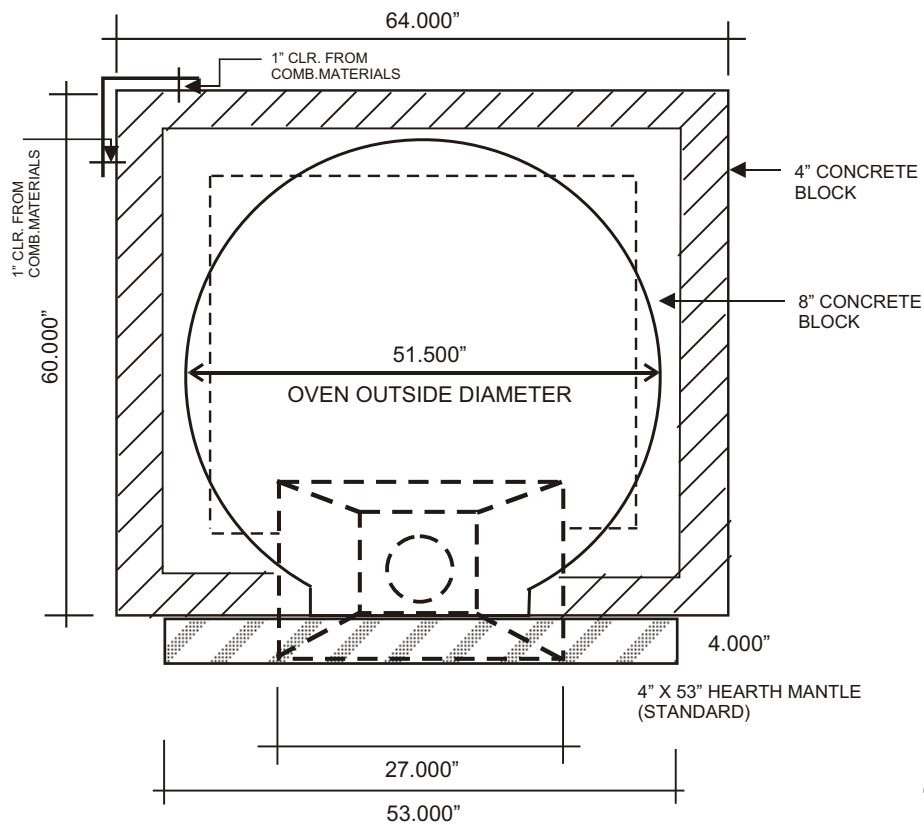
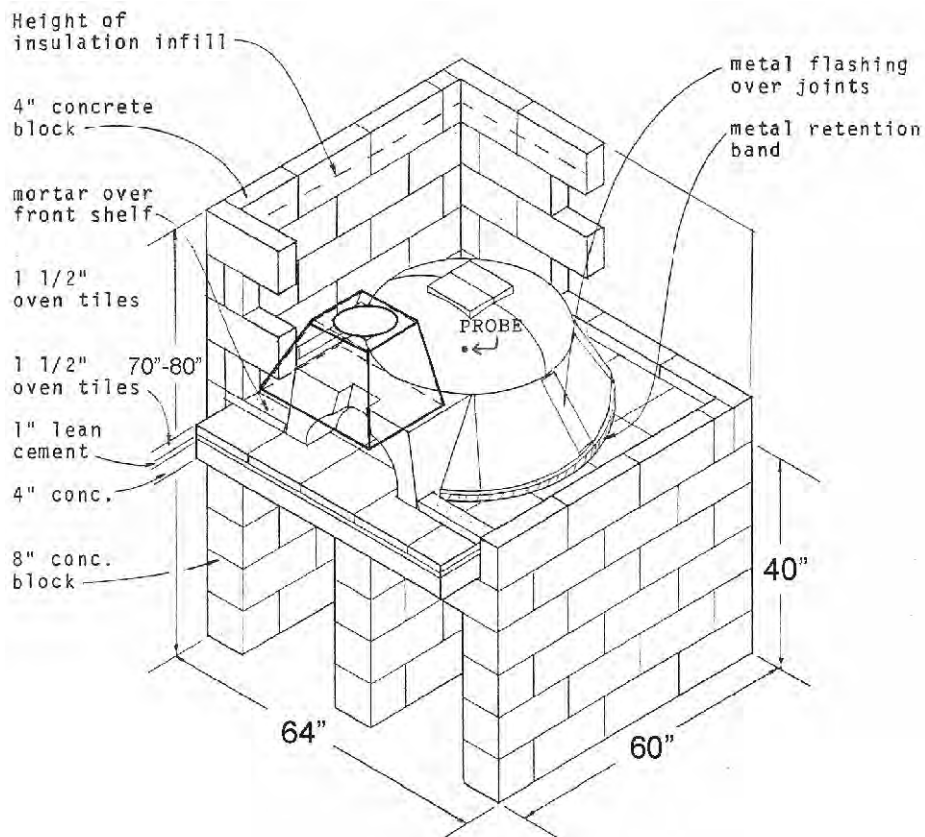
EARTHSTONE
WOOD-FIRE OVENS

6717 San Fernando Road
Glendale CA 91201

Tel: 800-840-4915 - 818-553-1134
earthstoneovens.com



MODEL 110 MODULAR OVEN



EARTHSTONE
WOOD-FIRE OVENS

6717 San Fernando Road
 Glendale CA 91201
 Tel: 800-840-4915 - 818-553-1134
 earthstoneovens.com