



Trolley Systems for Floor Models

Shelf Roll-In Trolley

Model #	Description
CSRT-2010	for model 20.10
CSRT-1220	for model 12.20
CSRT-2020	for model 20.20

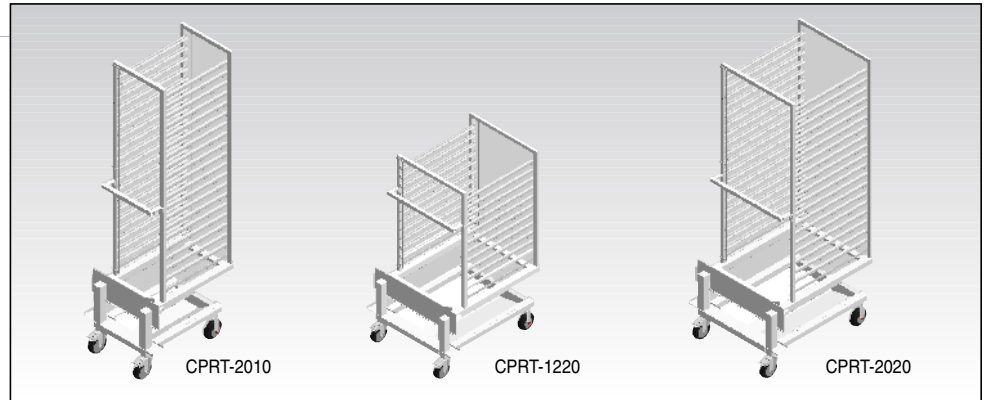
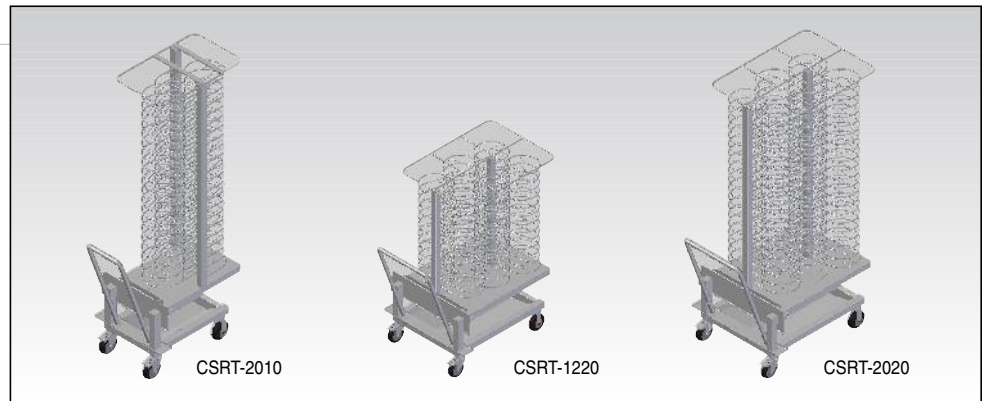


Plate Roll-In Trolley

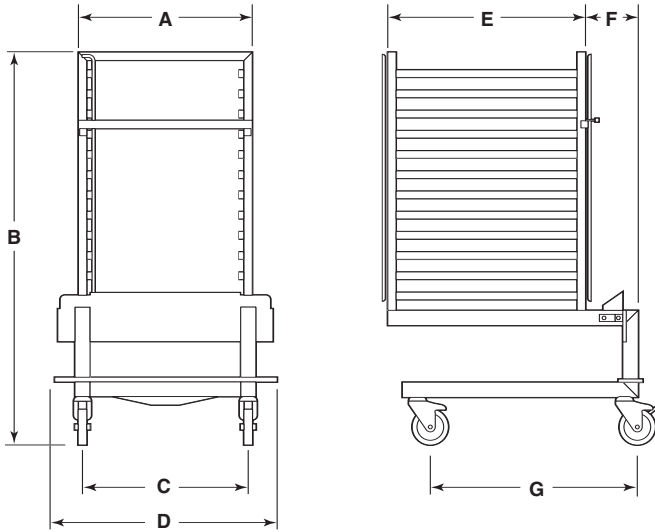
Model #	Description
CPRT-2010	for model 20.10
CPRT-1220	for model 12.20
CPRT-2020	for model 20.20



Thermal Cover (for Plate Roll-In Trolley & Shelf Roll-In Trolley)

Model #	Description
CTC-2010	for model 20.10
CTC-1220	for model 12.20
CTC-2020	for model 20.20





Shelf Roll-In Trolley

Model #	Dimensions (inches)						
	A	B	C	D	E	F	G
CSRT-2010	15.08	72.95	13.58	21.06	21.02	5.63	21.14
CSRT-1220	23.18	52.00	21.65	29.13	25.75	7.20	29.03
CSRT-2020	23.18	72.95	21.65	29.13	25.75	7.20	29.03

Shelf Capacity

CSRT-2010	20 (12" by 20" by 2 1/2" steam table pans)
CSRT-1220	12 (18" by 26" full size sheet pans)
CSRT-2020	20 (18" by 26" full size sheet pans)

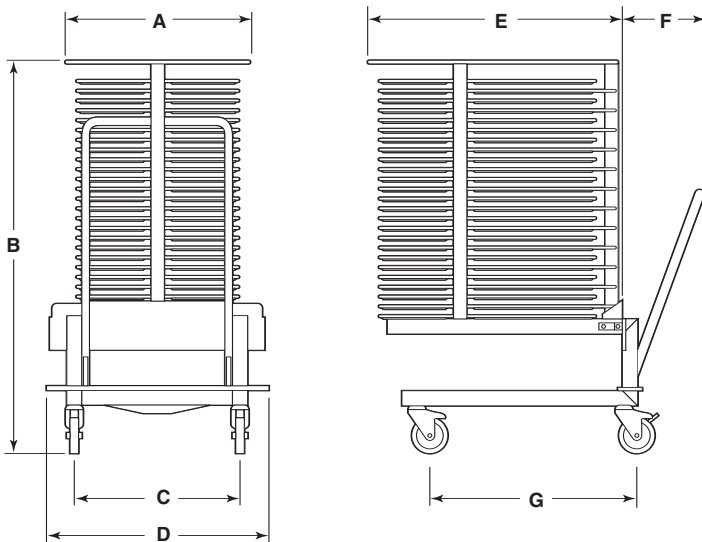


Plate Roll-In Trolley

Model #	Dimensions (inches)						
	A	B	C	D	E	F	G
CPRT-2010	15.63	72.30	13.58	21.00	26.16	26.00	21.14
CPRT-1220	24.21	51.99	21.65	29.13	33.90	44.41	29.02
CPRT-2020	24.21	72.76	21.65	29.13	33.90	45.81	29.02

Plate Capacity*

CPRT-2010	61
CPRT-1220	74
CPRT-2020	122

* Holds plates up to 12" dia.

NOTES:

Cleveland Range reserves right of design improvement or modification, as warranted.
 Many regional, state and local codes exist and it is the responsibility of the owner and installer to comply with the codes.
 Cleveland Range equipment is built to comply with applicable standards for manufacturers.