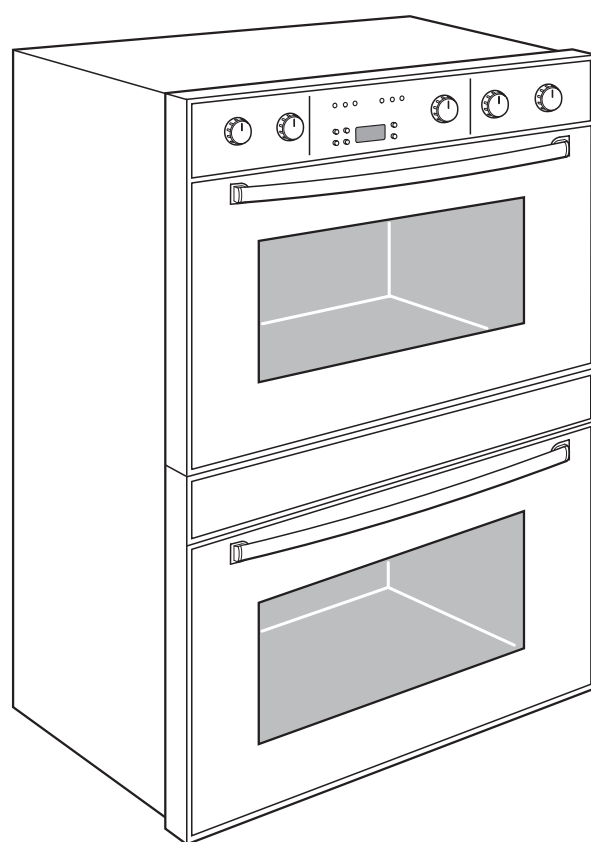
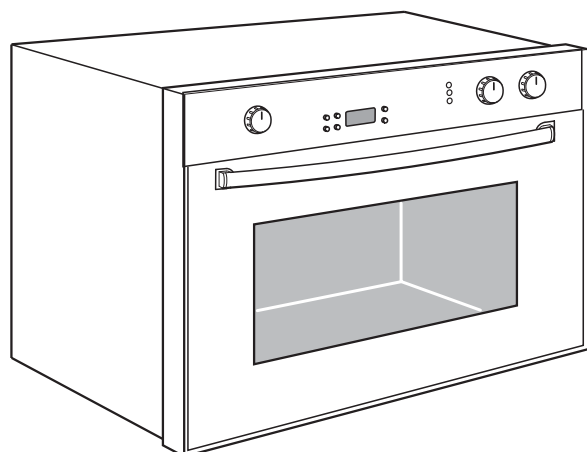


BOSCH



**Use and Care Manual
for Bosch Electric Built-in
Single & Double Oven
Models HBL 43../44../45../46..
HBN 44../45../46..**

***Manuel d'utilisation et d'entretien
Four électrique Bosch encastré, simple et double
Modeles HBL 43../44../45../46..
HBN 44../45../46..***

Dear Bosch Oven Owner:

Thank you and congratulations on your choice and purchase of a Bosch oven. Whether you are an expert chef or a beginning cook we believe that you will find your Bosch oven meets and exceeds your expectations. Bosch engineers have spent years developing these units to be the most versatile and energy efficient so that you may take great pride in the quality of construction of these fine ovens.

We also ask that you read this manual thoroughly before using your new oven. Please pay particular attention to the Safety Instructions printed at the front of the book and the numerous safety hints and cautions placed throughout this manual. Also, be sure to familiarize yourself with the proper operation of the oven and its cleaning and maintenance procedures. Adherence to these instructions and procedures will assure that you realize the full potential of your new Bosch oven as well as protect it from damage and yourself from injury.

BSH Home Appliances

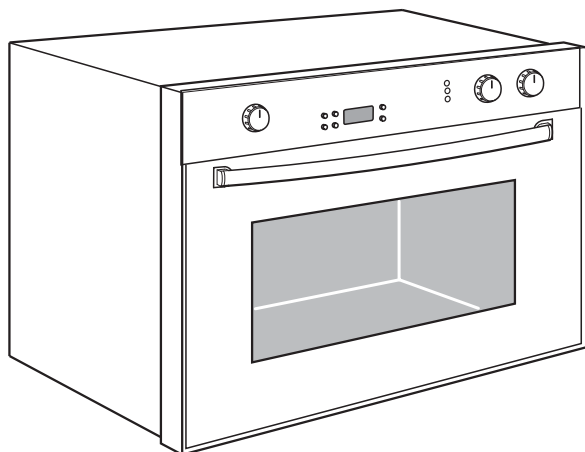
*Cher client,
Chère cliente,*

Tous nos remerciements et félicitations pour avoir choisi d'acquérir un four Bosch. Que vous soyez un fin gastronome ou un débutant dans la matière, vous découvrirez que votre four Bosch répond à toutes les exigences qu'on pourrait avoir à l'égard d'un four. Les ingénieurs de Bosch ont passé des années à mettre au point ces appareils qui sont parmi les plus polyvalents et les plus économiques, sans parler de leur haute qualité de construction.

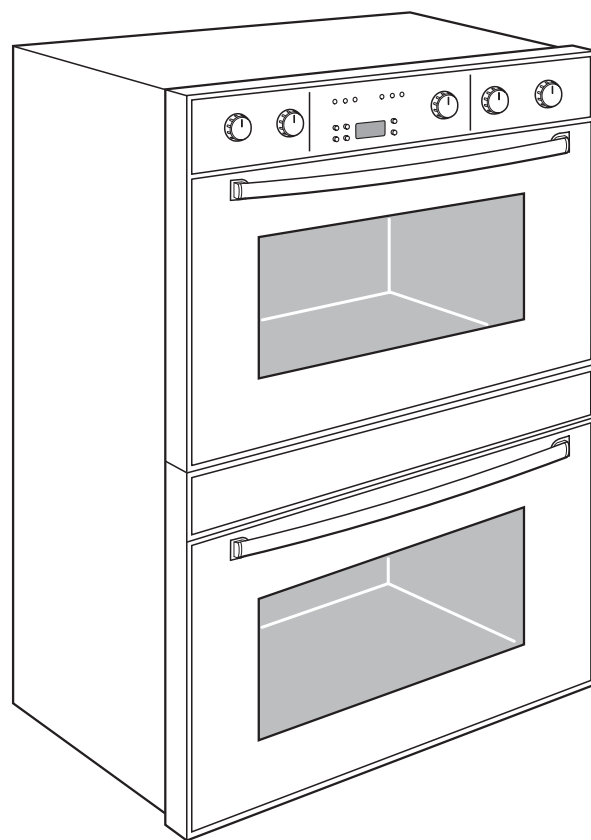
Nous vous demanderons de bien vouloir lire ce manuel avant d'utiliser votre nouveau four, surtout si c'est la première fois que vous possédez un four Bosch. Lisez attentivement les conseils de sécurité et les nombreuses mises en garde mentionnés dans ce manuel. Prenez soin également de vous familiariser avec le fonctionnement de votre appareil et ses procédures d'entretien et de nettoyage. C'est en respectant ces instructions et procédures que vous tirerez le plus de profit et le plus de plaisir de votre nouveau four.

BSH Home Appliances

BOSCH



**Use and Care Manual
for Bosch Electric Built-in
Single & Double Oven
Models HBL 43../44../45../46..
HBN 44../45../46..**



READ ALL INSTRUCTIONS BEFORE USING THIS APPLIANCE

Table of Contents

Important Safety Instructions	3
Product Features	4
About Your Oven.....	4
Cooling Fan	4
Racks and Rack Positions	4
Baking Elements.....	5
Broiling Elements.....	5
Convection Element	5
About Convection Ovens	5
Oven Operation	6
Oven Models	6
Using Your Oven	6
Cooking Function Settings, Table 3	8
Oven Programmer	9
Setting the Electronic Clock	9
Timer	9
Using the Oven Controls	11
Manual Operation of Oven.....	11
Electronic Control of Oven	12
Immediate Start/Automatic Shut-Off.....	12
Delayed Start/Automatic Shut-Off.....	12
Care and Cleaning	15
Using Self Clean Function	15
Replacing an Oven Light.....	16
Oven Door Removal	17
Service and Repair	18
Problem Solving, Table 4.....	19
If You Need Assistance	20
Model Information	20
Model Warranty	21

IMPORTANT SAFETY INSTRUCTIONS

WARNING - When using this appliance, basic safety precautions should always be followed to reduce the risk of fire, electric shock, and/or injury to persons, including the following.

1. **Read All Instruction Before Using the Oven.**
2. **Proper Installation** - Be sure your appliance is properly installed and grounded by a qualified technician. Have the installer show you where the fuse or breaker box is located and how to turn off the power to the oven.
3. **Do Not Operate the Oven if it is Damaged or Not Working Properly.**
4. **Never Use Your Appliance for Warming or Heating the Room.**
5. **Do Not Leave Children Alone** - Children should not be left alone or unattended in area where the appliance is in use. They should never be allowed to sit or stand on any part of the appliance.
6. **Do Not Touch Heating Elements or Interior Surfaces of Oven** - Heating elements may be hot even though they are dark in color. Interior surfaces of the oven, including racks become hot enough to cause serious burns. Do not touch or let clothing or other flammable material come into contact with the heating elements or interior surfaces or racks of the oven during or immediately after use. Allow the oven to cool.
7. **Wear Proper Apparel** - Loose-fitting or hanging garments should never be worn while using the appliance. Fabric may ignite and result in personal injury.
8. **Use Only Dry Potholders** - Moist or damp potholders on hot surfaces may result in burns from steam. Do not let potholder touch hot heating elements. Do not use a towel or other bulky cloth.
9. **User Servicing** - Do not repair or replace any part of the appliance unless specifically recommended in the manual. All other service should be referred to a qualified technician.
10. **Storage in or on Appliance** - Flammable materials should not be stored in an oven or near surface units.
11. **Do Not Use Water on Grease Fires** - Smother fire or flame or use dry chemical or foam type extinguisher.
12. **Use Care When Opening Door** - Let hot air or steam escape before removing or replacing food.
13. **Do Not Heat Unopened Food Containers** - Build-up of pressure may cause container to burst and result in injury.
14. **Keep Oven Vent Ducts Unobstructed**
15. **Placement of Oven Racks** - Always place oven racks in desired location while oven is cool. If rack must be moved while oven is hot, do not let potholder contact hot heating element in oven.
16. **Do Not Clean Door Gasket** - The door gasket is essential for a good seal. Care should be taken not to rub, damage, or move gasket.
17. **Do Not Use Oven Cleaners** - No commercial oven cleaner or oven liner protective coating of any kind should be used in or around any part of the oven.
18. **Clean Only Parts Listed in Manual**
19. **Before Self-Cleaning the Oven** - Remove oven racks and other utensils.
20. **Check for Off When Done** - Always check the position of the oven control knobs when you have finished cooking to make sure they are all in the off positions.
21. **“CAUTION”** - Do not store items of interest to children in cabinets above the oven - children climbing on the oven to reach items could be burned or otherwise seriously injured.
22. **Always Disconnect the Electrical Supply Before Servicing the Oven.**

Product Features

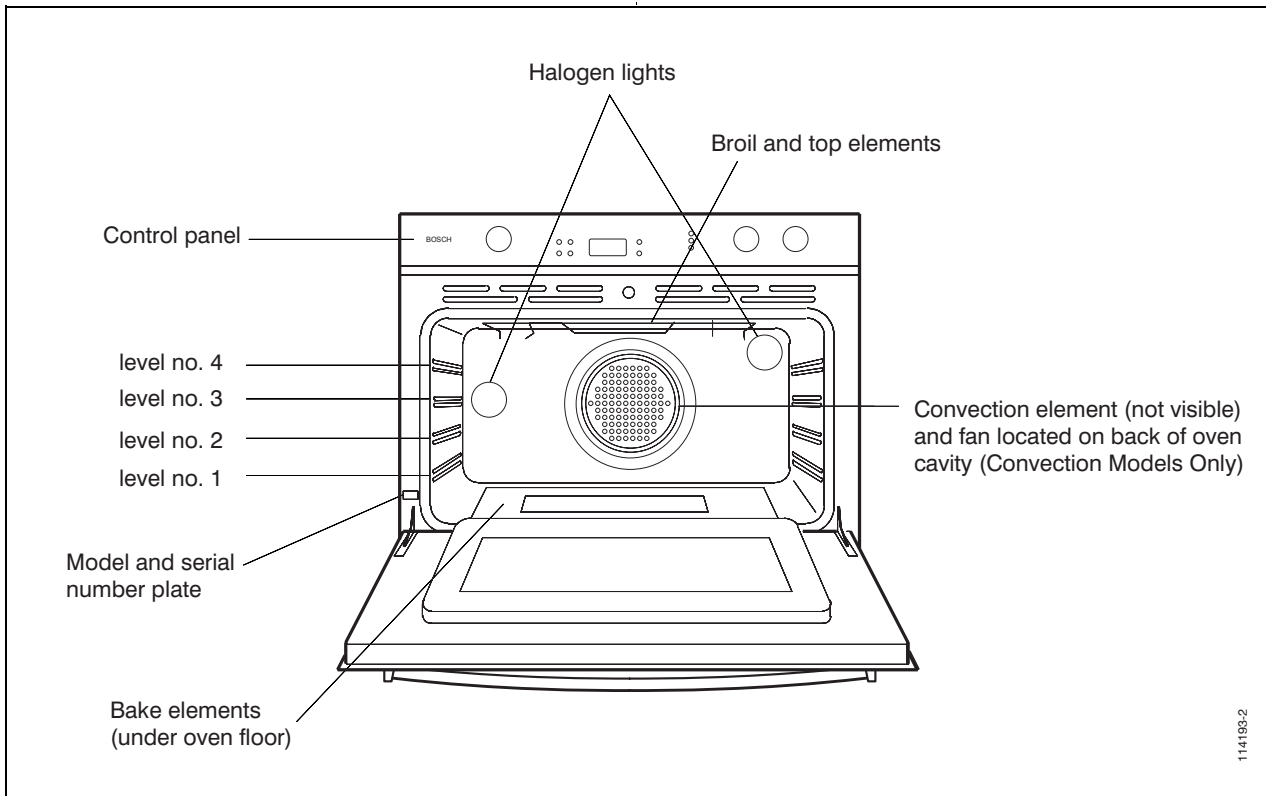


Figure 1.

About Your Oven

Above you will find an illustration of a Bosch oven showing the components of the oven. This manual covers the complete line of Bosch single and double ovens so some of the features described may not be available on your oven.

Cooling Fan

All the ovens whether convection type or thermal type have a cooling fan to cool the control panel. You may hear this fan continue to run after cooking and/or cleaning has been completed. The fan will run as long as the oven is hot and the oven's function selector is turned to any position other than "Off". This is normal operation.

Rack Positions

The oven has rack guides at four levels as shown in the illustration.

Each level guide consists of paired supports formed in the sidewalls on each side of the oven cavity.

The rack should be positioned within the paired supports. Each oven is provided with the following parts and utensils, see Figure 2:

- Rack(s)

Always be sure to position the oven racks, etc. before turning the oven on.

Make sure that the rack(s) are level once they are in position.

To remove oven rack from the oven, lift rack at front and lift out.

To replace oven rack:

1. Place rear of rack between the rack level guides.
2. While lifting front of rack, slide rack in all the way, then lower front.
Please refer to illustration if there is any question as to which side is the front of the rack.

Baking Elements

The Bosch oven uses two baking elements: one located at the top of the oven and the second located below the floor of oven cavity to provide ease in cleaning the oven cavity.

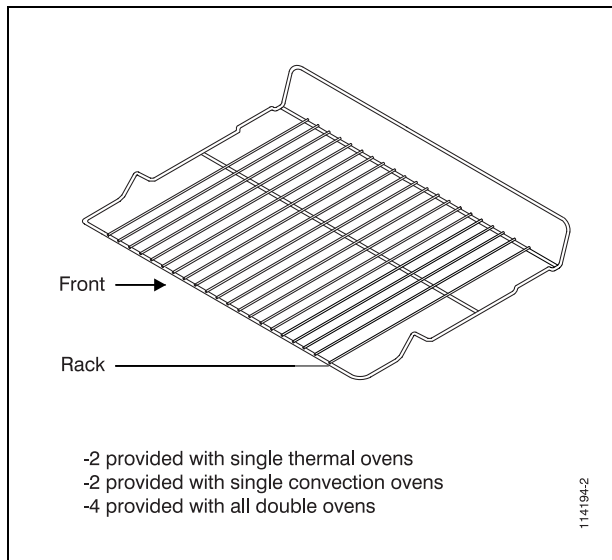


Figure 2.

Broiling Elements

The broiling elements of the Bosch ovens are located at the top of the oven cavity.

Do not touch the heating elements or let potholders touch the broiler elements.

Never use a towel or bulky cloth for a potholder; they could catch on fire.

Convection Element

If you have purchased one of the convection oven models you will find the convection element (not visible) and fan located at the back of the oven cavity.

This element and fan combination performs the cooking when in the convection bake mode.

When in any of the convection modes the fan is on, see Table 3.

About Convection Ovens

Both the single ovens and double ovens are available as either conventional thermal ovens or as convection ovens.

Although most people are familiar with the opera-

tion of a conventional thermal oven many are unclear as to how a convection oven works or in what ways it is superior to a conventional thermal oven.

Below you will find a brief explanation of how a convection oven works and its advantages.

In Bosch Ovens, the Genuine European Convection™ system (the 3 elements, fan and venting panel) circulates even, heated air throughout the oven. This process:

- Seals in juices and flavor
- Provides even baking and browning
- Saves time and energy
- Baking on multiple levels at the same time
- Dehydrates herbs, fruits and vegetables
- Bakes whole meals at once with no flavor transfer
- Thaws evenly

The Bosch cookbook provides many helpful tips and a description of each cooking cycle. It also has many recipes for each cycle to help you enjoy your new oven.

Many of your own recipes have time and temperature instruction for the regular bake cycle. As a rule, most of these recipes can be cooked with better results in one of the convection cycles. In general, to convert standard recipes for use in convection, you reduce the temperature by about 25°F and check for doneness at the minimum suggested cooking time.

When baking on more than 1 rack it may be necessary to increase the cooking time a few minutes for each additional rack. As individual tastes vary, you may find you need to adjust the time and temperature to achieve desired results.

You may feel your new oven cooks differently than your old oven. We recommend you use the various cooking cycles for a few months and refer to the Bosch Cookbook to become more familiar with it.

We do not recommend you use oven thermometers found at many grocery stores to check oven temperature. They may be inaccurate and are slow to respond to temperature changes.

Oven Operation

Oven Models

There are 21 different models of Bosch ovens, see Tables 1 & 2, below. Bosch ovens are available in 27" or 30", in white, black or stainless steel, in single or double oven configurations as well as being provided as either standard, thermal-type ovens or convection type, with the double ovens being available with either a single convection oven or with two convection ovens.

Single Oven Models	Convection	Colors		
		Wht	SS	Blk
HBL 432A UC	No	X		
HBL 435A UC	No		X	
HBL 436A UC	No			X
HBL 442A UC HBN 442A UC	Yes	X		
HBL 445A UC HBN 445A UC	Yes		X	
HBL 446A UC HBN 446A UC	Yes			X

Table 1.

Double Oven Models	Convection (top/bottom)	Wht	SS	Blk
HBL 452A UC HBN 452A UC	Yes/No	X		
HBL 455A UC HBN 455A UC	Yes/No		X	
HBL 456A UC HBN 456A UC	Yes/No			X
HBL 462A UC HBN 462A UC	Yes/Yes	X		
HBL 465A UC HBN 465A UC	Yes/Yes		X	
HBL 466A UC HBN 466A UC	Yes/Yes			X

Table 2.

Due to the number of models offered not all the features described below may apply to your oven.

Using Your Oven

It is very important to learn how to properly use your oven to obtain the best cooking results. Following you will find important information for the safe and efficient use of your oven.

Before Using for the First Time

Before using your Bosch oven for the first time remove all packing and foreign materials from the oven(s). Any material of this sort left in the oven(s) may melt and/or burn when the oven(s) are used.

Oven Control Panel

All the ovens have the following controls, as shown in Figure 3:

- Programmer push-buttons:
 - Set Clock button
 - Timer button
 - Cook Time button
 - Start Time button
 - Time set + and - buttons.
- Programmer display
- On/Off light
- Heat light
- Door lock light
- Timer/Manual selector knob
- Temperature control knob(s)
- Mode selector knob(s)

The double oven control panel is the upper panel shown in Figure 3 and the single oven control panel is the lower panel shown.

Programmer Push-Buttons

The programmer push-buttons are used to set and program the oven. See sections **Timer and Programming the Oven** for explanation on how to use the programmer push-buttons.

Programmer Display

The programmer display performs many functions. When the electricity to your oven is first turned on the display will be blank. For information on setting the display and its use as a timer or for programmed cooking see sections **Timer and Programming the Oven**, following.

Timer/Manual Selector

The Timer/Manual selector knob is used to set the oven(s) for Manual or Timer mode.

On Light

The on light will be illuminated whenever the oven is on.

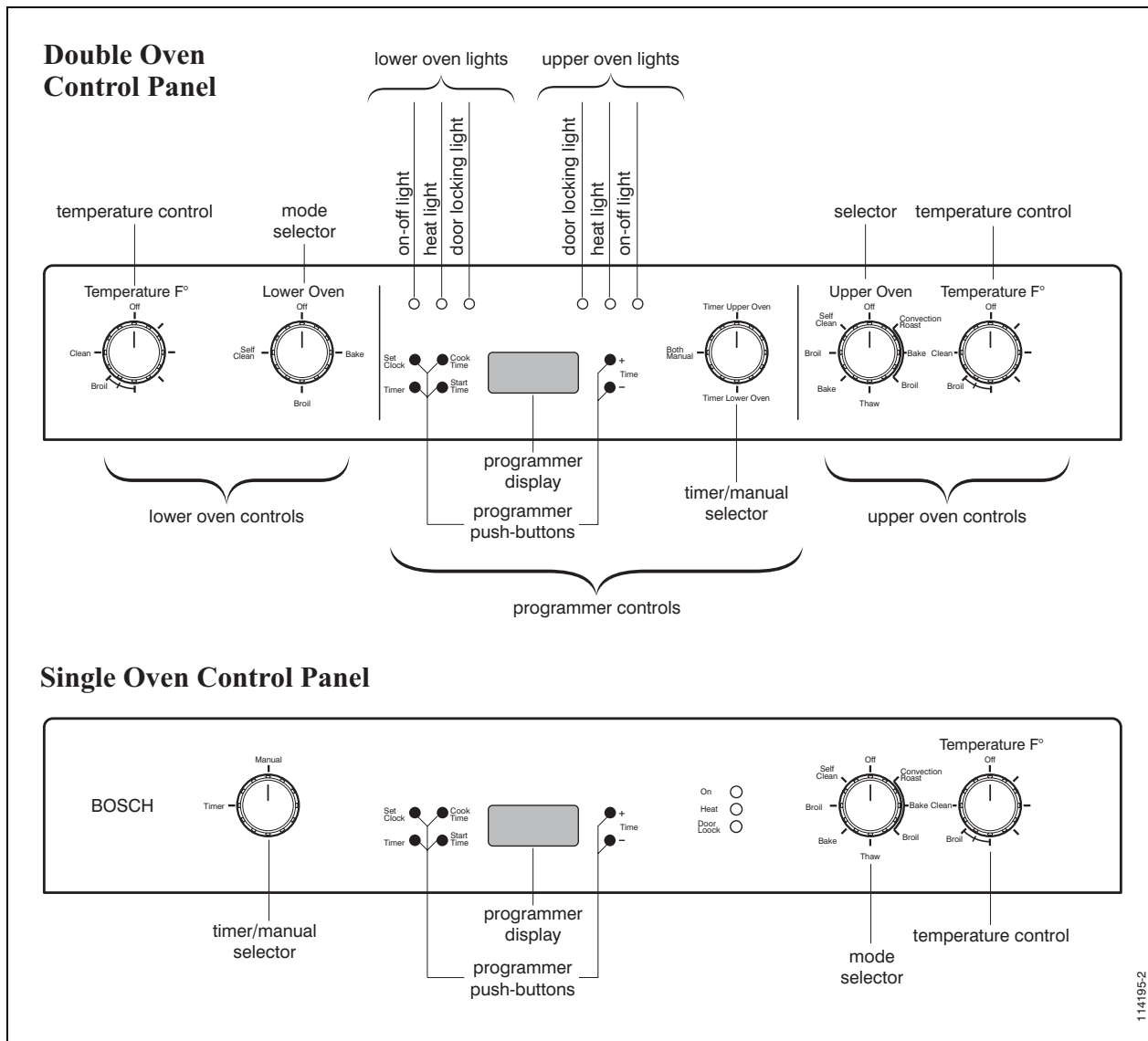


Figure 3.

Heat Light

The heat light will be lit when you turn on your oven. When the oven reaches the set temperature the light will turn off to let you know the oven is preheated. (Preheat time should take approximately 12-15 minute when using 240 volts. If electrical supply is less than 240 volts preheat times will be longer). The light is connected to the cooking elements and will turn off and on as the oven cycles to maintain the set temperature.

Door Lock Light

The door lock light will be illuminated whenever the oven is in the self-clean mode and the door is locked.

Temperature Control Knob

The temperature control knob is marked in degrees Fahrenheit (°F). This control knob is used to adjust the oven temperature.

Mode Selector

The mode selector knob is used to set the oven to Off, or for Self Clean, or to select the cooking function desired. A number of modes are available depending on the model oven you have purchased.

Please see Table 3, Cooking Function Settings, for information on selecting a cooking mode.

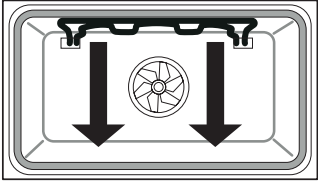
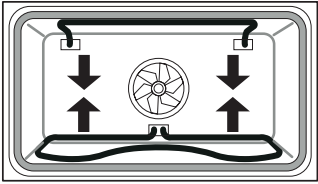
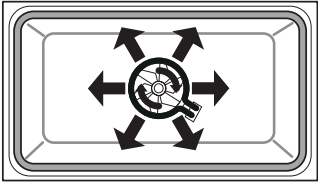
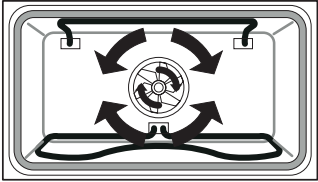
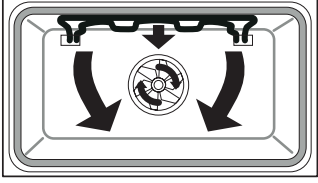
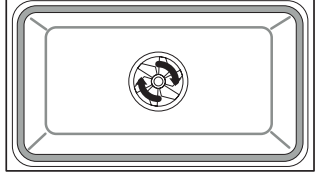
Cooking Function Settings	
Thermal Oven	Function Information
<p>Note: Lower element shown for clarity only. Lower element actually is located below floor of cavity</p>	<div style="display: flex; justify-content: space-between;"> <div style="width: 45%;">  </div> <div style="width: 50%;"> <p>Broil - Used for broiling. When set on Broil the top elements operate whenever heating.</p> <p>May be used with door open or closed.</p> </div> </div>
<p>Note: Lower element shown for clarity only. Lower element actually is located below floor of cavity</p>	<div style="display: flex; justify-content: space-between;"> <div style="width: 45%;">  </div> <div style="width: 50%;"> <p>Bake (Roast) - This mode is used for baking, roasting and heating of casseroles, etc. When set on Bake the top element and the bottom element operate whenever heating.</p> </div> </div>
Convection Ovens have following additional cooking functions	
<p>Note: Lower element shown for clarity only. Lower element actually is located below floor of cavity</p>	<div style="display: flex; justify-content: space-between;"> <div style="width: 45%;">  </div> <div style="width: 50%;"> <p>Convection Bake - The most versatile mode for baking and heating a variety of dishes. Also recommended for preparing large quantities of food on several racks.</p> <p>When set on Convection the rear circular bake element operates whenever heating. Fan operates.</p> </div> </div>
<p>Note: Lower element shown for clarity only. Lower element actually is located below floor of cavity</p>	<div style="display: flex; justify-content: space-between;"> <div style="width: 45%;">  </div> <div style="width: 50%;"> <p>Convection Roast - Use for roasting.</p> <p>When set on Convection Roast the top element and the bottom element operate whenever heating. Fan operates.</p> </div> </div>
<p>Note: Lower element shown for clarity only. Lower element actually is located below floor of cavity</p>	<div style="display: flex; justify-content: space-between;"> <div style="width: 45%;">  </div> <div style="width: 50%;"> <p>Convection Broil - Use of fish and broiling thick cuts of meat. The door must be closed when Convection Broiling. When set on Convection Broil top elements operate whenever heating. Fan operates.</p> </div> </div>
<p>Note: Lower element shown for clarity only. Lower element actually is located below floor of cavity</p>	<div style="display: flex; justify-content: space-between;"> <div style="width: 45%;">  </div> <div style="width: 50%;"> <p>Thaw - Use for defrosting. When set on Thaw no elements operate, only the fan is on.</p> </div> </div>

Table 3. Cooking Function Settings

Oven Programmer

The oven programmer can be used to electronically control the cooking in your oven. Figure 4 shows all the call-outs that are available on the display and their locations. The buttons directly adjacent to the display are the programming buttons. These are used to program the oven, including setting the clock.

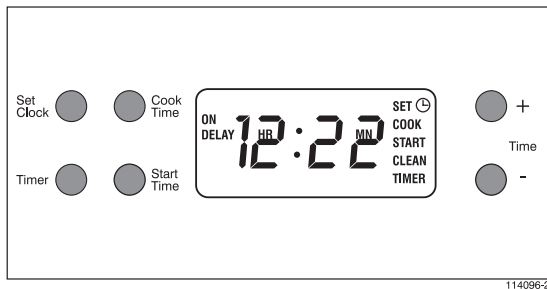


Figure 4.

Setting the Electronic Clock

When you first turn on the power to your oven, or if the power to the oven has been off for a while the display will come on showing all the call-outs, as shown in Figure 4, and then will become blank, with dashes in the display area and the set clock symbol in the upper right of the programmer display, as shown in Figure 5.

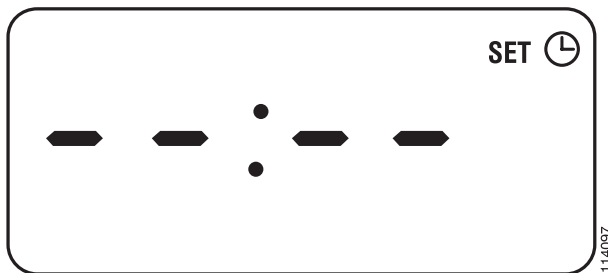


Figure 5.

To set time of day

Press in **Set Clock** button. A “beep” will be heard. Then press either the plus (+) or minus (-) button, to the right of the display, to set the correct time. If the plus (+) or minus (-) button is pressed it will advance or decrease the time in 1 minute increments, if the plus (+) or minus (-) button is held in the minutes will increase or decrease in 10 minute increments. Once the time is

properly set depress the **Set Clock** button again to enter the time. A “beep” will sound and the Set Clock symbol, in the upper right, will disappear.

To change the time of day simply repeat the steps described above. To check the time of day when the timer is in use depress the **Set Clock** button. The time of day will be displayed briefly and then will return to the timer function.

Timer

The timer acts as a kitchen timer, counting down from the set time.

To Set Timer

- Press **Timer** button. A “beep” will be heard and the display will change from showing the time of day to read zero (.00) and say SET TIMER, to the right, as shown in Figure 6.
- Then press either the plus (+) or minus (-) button, to the right of the display, to set the timer to the time interval desired.



Figure 6.

- Notes:**
1. Each time the plus (+) or minus (-) button is depressed the display will increase or decrease in 1 minute increments. If the plus (+) or minus (-) button is held in the display will increase or decrease in 10 minute increments.
 2. If the plus (+) or minus (-) button is not depressed within 5 seconds of depressing the **Timer** button the **Timer** button will have to be depressed again to again call up the timer mode.

- Once the desired time interval is set release the buttons.
- The timing interval will start after approximately 4 seconds.

- The indicator word **TIMER** will remain in the display during timer countdown.
- The timer will countdown in minutes until the last minute when it will switch over and countdown in seconds.
- At the end of the timing interval the indicator word **TIMER** will blink on and off and three “beeps” will be heard.
- The display will return to time of day or any active programmed function and “beeping” will continue every 10 seconds until any button is touched.
- Once any button is touched the flashing word **TIMER** disappears from the display.

To Cancel Timer

With the indicator word **TIMER** in the display all that is necessary to cancel the timer is to depress

the Timer button once.

If some other timed function has been programmed after setting the timer, the **TIMER** indicator word can be recalled to the display by depressing the Timer button.

Then with the indicator word **TIMER** in the display you can, as above, cancel the timer by depressing the Timer button a second time.

Then after 5 seconds the display will return to time of day or any active programmed function.

To Check Timer During Timed Function

If some other timed function has been programmed after setting the timer, **TIMER** may be recalled to the display by depressing the Timer button.

The amount of time remaining on the timer can then be viewed.

Using the Oven Controls

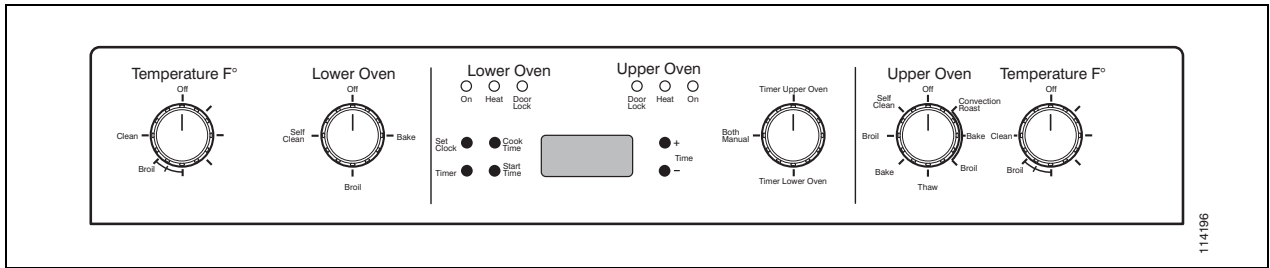


Figure 7. Double Oven Control Panel, HBL/HBN45..

The oven controls may be used to operate the oven manually or under control of the oven programmer. Manual operation will be discussed first and then use of the oven programmer.

Manual Operation of the Oven

Before turning on your oven, position the racks properly for their intended use. To change the position of the racks, lift rack at the front and pull-out and re-insert at the desired level.

For manual operation of the oven set the Timer/Manual Selector knob (see Figure 3) to **Manual**. If you have a double oven, as shown above (Figure 7) you have three setting positions available:

- **Timer Upper Oven** - when on this setting the programmer must be used to control the upper oven while the lower oven may be operated manually
- **Both Manual** - when on this setting both ovens may be used manually.
- **Timer Lower Oven** - when on this setting the programmer must be used to control the lower

oven while the upper oven may be operated manually.

Once you have set the mode selector to Manual or, if you have a double oven, decided which oven you are going to use:

1. Set Mode selector knob for the oven to the cooking mode desired. Refer to Figure 3 and Table 3 if you are not sure which of the knobs on your oven is the selector knob or which function you wish the oven to perform.

Note: The cooling fan will begin to run as soon as the function selector knob is turned from the Off position.

2. Set the temperature control knob for the oven to the temperature desired.

Note: If you have a convection oven and have selected **THAW** it is not necessary to set the temperature control knob as no heating takes place in **THAW** mode.

3. Once cooking has been completed be sure to turn the selector knob and the temperature knob to the Off position.

Electronic Control of Oven

Immediate Start /Automatic Shut-Off

To use the electronic control so that your cooking starts immediately and then shuts-off automatically:

1. Set the oven rack(s) as desired and place food in the oven.
2. Make sure that the oven clock is set to the correct time.
3. Set the Timer/Manual Selector (Figure 3) to Timer for the single oven or to **Timer Upper Oven or Timer Lower Oven** for double oven, so that oven programmer is enabled for the oven you wish to use in programmed operation.



Figure 8.

4. Set oven Mode Selector knob to the cooking function desired:
 - Broil
 - Bake
 - Convection Bake
 - Convection Roast
 - Convection Broil
 - Thaw
5. Set oven Temperature Control knob to the desired temperature.
6. Depress **Cook Time** button, a “beep” will sound and the display will show SET-COOK-TIME on the right hand side of the display, as shown in Figure 8.

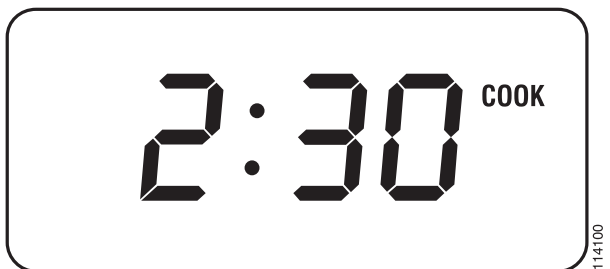


Figure 9.

7. Then press either the plus (+) or minus (-) button, to the right of the display, to set the the timer to the time interval desired. Maximum cooking time is 11 hours and 50 minutes (minimum cooking time is 1 minute).

Note: If the plus (+) or minus (-) button is not depressed within 5 seconds of touching the **Cook Time** button the **Cook Time** button will have to be depressed again to call up SET - COOK - TIME.

8. After the cook time has been set a “beep” will sound and the indicator word COOK will appear in the display and the oven will begin heating. Figure 9 shows what the display would look like at this time if a cooking time of 2 hours and 30 minutes had been set.
9. At the end of the programmed cooking time, the oven will automatically shut-off and the indicator word COOK will blink. Three “beeps” will sound and the oven will continue to beep every 10 seconds until any button is pushed.

Be sure to turn the Mode Selector knob and the Temperature knob to their Off positions after electronic controlled cooking has been completed.

To Cancel Cook Time

To cancel cook time at any time depress Cook Time button twice.

Delayed Start/Automatic Shut-Off

The programmer may also be used to have your oven start at a later time, cook for a preset cooking period and shut itself off automatically. This function is not recommended for foods that contain baking powder or yeast as these foods will not rise properly if cooked in this way. Also, please keep in mind that the time required for the oven to come up to temperature must be included in the cooking time. In most cases this means that approximately 10 minutes should be added to the cooking time. A preheat time is usually not necessary for convection function, but in all cases follow your recipe.



WARNING

When using delayed cooking special consideration must be given to avoid potential sickness and spoiling of food:

1. Avoid using foods that will spoil while placed in the oven waiting for cooking to begin. In particular avoid using foods containing eggs and dairy products in delayed cooking. In addition unfrozen cooked or uncooked meats, poultry and fish should not be placed in the oven if they will be there for more than two hours.
2. Do not allow food to remain in the oven more than one hour after the end of the cooking cycle.

To use the programmer so that your cooking will start at some later time and shut-off automatically:

1. Set the oven rack(s) as desired and place food in the oven.
2. Make sure that the oven clock is set to the correct time.
3. Set the Timer/Manual Selector (Figure 3) to Timer, for the single oven, or to **Timer Upper Oven** or **Timer Lower Oven**, for the double oven, so that oven programmer is enabled for the oven you wish to use in programmed operation.



Figure 10.

4. Set oven Selector knob to the cooking function desired:
 - Broil
 - Bake
 - Convection Bake
 - Convection Roast
 - Convection Broil
 - Thaw

5. Set oven Temperature Control knob to the desired temperature.
6. Depress Start Time button. A “beep” will sound and the display will show SET-START-TIME on the right hand side of the display, as shown in Figure 10.
7. Then press either the plus (+) or minus (-) button, to the right of the display, to set the timer to the start time desired. After the time has been entered a “beep” will be heard and the indicator words DELAY-START-TIME will appear briefly.

Note: If the plus (+) or minus (-) button is not depressed within 5 seconds of touching the Start Time button the Start Time button will have to be depressed again to call up SET - START - TIME.



Figure 11.

8. Depress Cook Time button. A “beep” will sound and the display will show SET-COOK-TIME on the right hand side of the display as shown in Figure 8.
9. Then press either the plus (+) or minus (-) button, to the right of the display, to set the the timer to the time interval desired. Maximum cooking time is 11 hours and 50 minutes (minimum cooking time is 1 minute). The display will return to the time of the day with the word DELAY appearing to the left of the day, as shown in Figure 11.
10. When the start time is reached the indicator word COOK will appear in the display with the set cook time. At the end of the programmed cook time the oven will shut-off automatically. The indicator word COOK will blink and three (3) “beeps” will be heard. The oven will continue to “beep” every 10 seconds until any button is depressed.

Be sure to turn the Mode Selector knob and the Temperature knob to their Off positions after the programmed cooking has been completed.

To Check Start Time/before cooking begins

Depress Start Time button. The start time will be displayed briefly and then the display will return to time of day.

To Change Start Time/before Cooking begins

Depress **Start Time** button. A “beep” will sound and the display will show SET - START - TIME on the right hand side of the display. Then press either the plus (+) or minus (-) button to the right of the display, to set the timer to the start time desired.

After the time has been entered a “beep” will be heard and the indicator words DELAY-START-TIME will appear briefly and then the display will return to time of day with the word DELAY appearing to the left of the time of day, as shown Figure 11.

To Check Cook Time

Depress Cook Time button. The cook time will be displayed briefly, then the display will return to on-going program.

To Change Cook Time

Depress Cook Time button. A “beep” will sound and the display will show SET - COOK - TIME on the right hand side of the display, see Figure 8. Then press either the plus (+) or minus (-) button, to the right of the display, to set the timer to the time interval desired. Maximum cooking time is 11 hours and 50 minutes (minimum cooking time is 1 minute).

To Cancel Delay Start

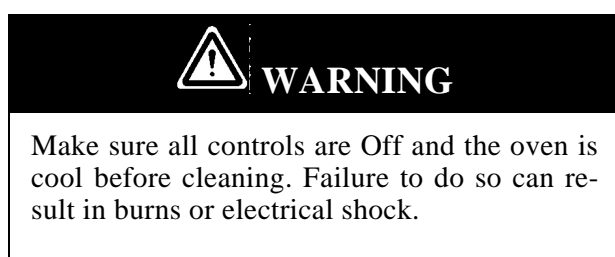
Depress Start Time button twice.

To Cancel Cook Time

Depress Cook Time button twice.

Care & Cleaning

The Bosch line of ovens feature a pyrolytic self-cleaning function that eliminates the difficult and time consuming manual scrubbing of the oven interior. During self-cleaning the oven uses very high temperature (approx. 850°F) to burn away soil and grease. The fumes produced during this function of the oven are then filtered and expelled. You will note however that a powder ash residue will be left on the bottom of the oven after completion of self cleaning. Once the oven has cooled sufficiently the residue may be removed using a damp cloth or sponge. See the following instruction on use of the self clean function.



For parts of the oven other than the oven cavity the following cleaning methods are recommended:

- **Control Panel**
Use warm soapy water or spray glass cleaner to clean the control panel. With a soft cloth or sponge wash, rinse and dry the control panel thoroughly. **DO NOT** use abrasive cleaners or steel wool pads. These will damage the surface.
- **Stainless Steel**
To clean, use a standard cleaner designed for stainless steel such as: Cameo®, Bar Keepers Friend® or Bon-Ami®. Follow manufacture instructions. When clean, a polish such as Twinkle® or Stainless Steel Magic® can be applied. **DO NOT USE ABRASIVE MATERIALS SUCH AS STEEL WOOL OR ROUGH SPONGES. IT WILL SCRATCH THE SURFACE.**
- **Front of Oven Door(s) and Handle(s)**
Use warm soapy water or spray glass cleaner to clean the glass door surface. With a soft cloth or sponge wash, rinse and dry the door front(s) and handle(s) thoroughly. **DO NOT** use abrasive cleaners or steel wool pads. These will damage the surface.
- **Broiler Pan and Rack(s)**
Use warm soapy water. With a steel wool pad wash, rinse and thoroughly dry the pan and/or rack(s). **DO NOT** clean the broiler pans or

racks by leaving them in the oven when running the Self Clean function.

- **Frame Outside Door Gasket Area**
Make sure oven is cool, then use warm soapy water. With a non-abrasive, plastic scrubbing pad clean the frame surface outside the door gasket area. This area must be cleaned by hand because the area outside the gasket does not get hot enough to burn off the soil (see Figure 12).

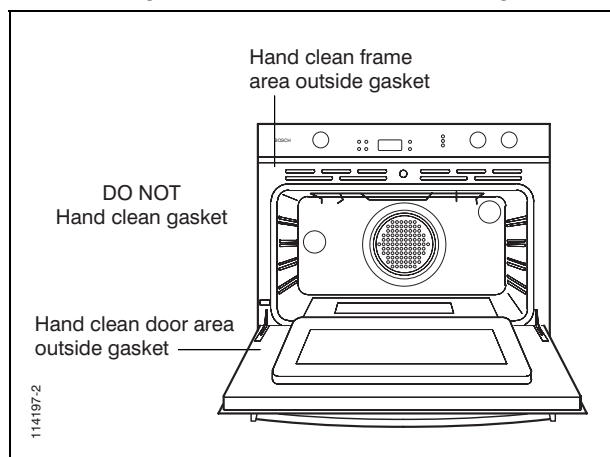


Figure 12.

- **Door Outside gasket Area**
Make sure oven is cool, then use warm soapy water. With a non-abrasive, plastic scrubbing pad clean the area outside the door gasket area. This area must be cleaned by hand because the area outside the gasket does not get hot enough to burn off the soil (see Figure 12).

Using the Self Clean Function

The Self Clean function is a timed function and therefore is used just as if using the oven in **Immediate Start/Automatic Shut-Off** or **Delayed Start/Automatic Shut-Off**. There are a few preparations that must be made however as well as some post function clean-up that you will find described below:

1. Before using Self Clean be sure to remove the racks. Also, if you have placed any aluminum foil in the oven this should also be removed.

Note: If items are left in the oven during self cleaning they may become damaged and racks will become discolored. Also, the racks will become difficult to slide in and out.

2. Clean soil from the frame around the door, outside the door gasket (see Figure 12). Do not clean the door gasket by hand as this

could move or damage the gasket. The areas outside the gasket area must be cleaned by hand because these areas do not become hot enough during Self Clean to burn away the soiled spots.

3. Also wipe up excess grease and other food spills with a damp cloth. This will minimize the amount of smoke created during self cleaning.



Figure 13.

4. Make sure that the oven door is completely closed and the oven clock is set to the correct time.
5. Set the Timer/Manual Selector knob (see Figure 3) to **Timer**, for single oven, or to **Timer Upper Oven** or **Timer Lower Oven**, for double oven, so that oven programmer is enabled for the oven you wish to have self clean.
6. Set the Function Selector to **Self Clean**. The display will change to say SET - CLEAN - TIME with an initial setting of 3 hours. If the plus (+) or minus (-) buttons are not depressed within a few seconds the display will revert to CLEAN function, as shown in Figure 14.
7. Set the Temperature Control to **Clean**.
8. If you wish to change to a cleaning time of other than 3 hours depress the **COOK TIME** button. A “beep” will sound and the display will show SET - CLEAN - TIME on the right hand side of the display as shown in Figure 13. The programmer setting is initially for a duration of 3 hours. The cleaning time can be set for 2 hours and 30 minutes to 4 hours depending on how soiled the oven cavity has become:
 - > Use 2:30 - to - 3:30 hours for light soil.
 - Use 3:00 - to - 3:30 hours for medium soil.
 - Use 3:30 - to - 4:00 hours for heavy soil.
9. To adjust the cleaning time press the plus (+) or minus (-) button, to the right of the display.

play.



Figure 14.

Note: If the plus (+) or minus (-) button is not depressed within 5 seconds of touching the COOK TIME button the COOK TIME button will have to be depressed again to call up SET - CLEAN - TIME.

10. After the Clean Time has been set a “beep” will sound and the indicator word CLEAN will appear in the display and the oven will begin the self cleaning process. As the oven heats past 560°F the automatic door lock will operate to lock the door of the oven that is in Self Clean. The Door Lock indicator light will become illuminated to show that the door is locked. The door will remain locked and the indicator light will remain on throughout the self cleaning process until the temperature drops below the 560°F temperature noted above.
11. At the end of the programmed clean time the oven will automatically shut-off. Allow the oven to cool.
12. Open the door. Then after making sure that the oven has cooled to a safe temperature, use a damp cloth or sponge to clean out the powder ash residue left in the oven. If white spots remain in the oven they can be removed with a damp sponge. These white spots are normally just salt spots that cannot be removed by self cleaning.
13. Reinstall the oven racks and broiler pan.

Be sure to turn the selector knob and the temperature knob to the Off position after the electronic controlled self cleaning has been completed.

Replacing an Oven Light

Each oven is equipped with two halogen lights located in the back wall of the oven. The lights are switched on when the door is opened or when the oven is in a cooking cycle. The oven lights are not illuminated during SELF CLEAN. Each light as-

sembly consists of a removable lens, a light bulb as well as a light socket housing that is fixed in place, see Figure 15. Light bulb replacement is considered to be a routine maintenance item.

To replace a light bulb:

1. Read WARNING on this page.
2. Turn off power at the main power supply (your fuse or breaker box).

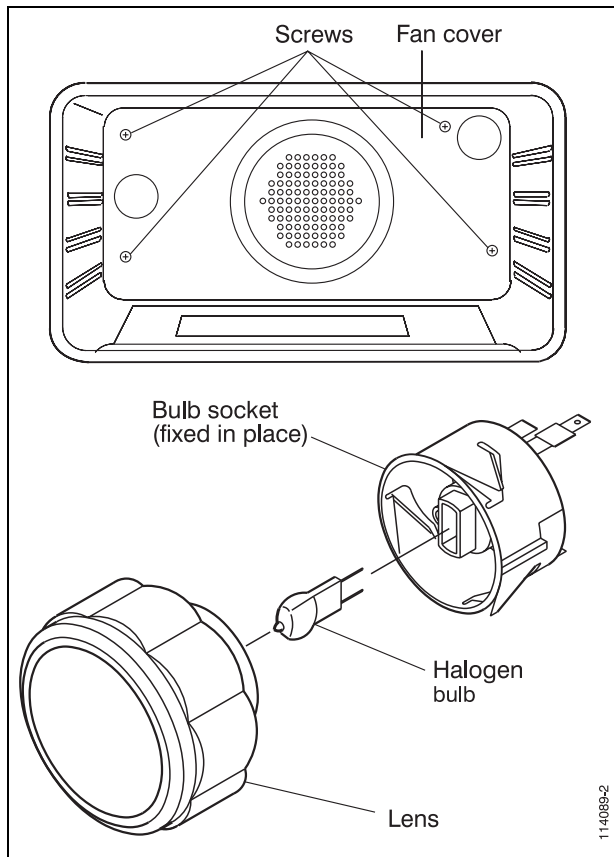


Figure 15.

WARNING

Make sure the oven and lights are cool and power to the oven has been turned off before replacing the light bulb(s). Failure to do so could result in electrical shock or burns.

The lenses must be in place when using the oven.

The lenses serve to protect the light bulb from breaking.

The lenses are made of glass. Handle carefully to avoid breakage. Broken glass could cause an injury.

3. In multifunction ovens remove the fan cover by unscrewing the four screws.
4. Remove the lens by unscrewing it.
5. Remove the light bulb from its socket by pulling it.
6. Replace the bulb with a new one taking care to don't touch it with naked fingers. Their grease can damage the bulb when it becomes hot. The bulb is halogen 12V-20W.
7. Screw the lens back on.
8. Replace the fan cover if the cavity is provided with.
9. Turn the power back on at the main power supply (your fuse or breaker box).

Oven Door Removal

The oven door can be removed for hand cleaning if needed.

WARNING

Make sure oven is cool and power to the oven has been turned off before removing the door. Failure to do so could result in electrical shock or burns.

The oven door is heavy and fragile. Use both hands to remove the oven door. The door front is glass. Handle carefully to avoid breakage. Broken glass could cause an injury.

Grasp only the sides of the oven door. Do not grasp the handle as it may swing in your hand and cause damage or injury.

Failure to grasp the oven door firmly and properly could result in personal injury or product damage.

To remove the door for 30" models HBL4..

1. Be sure to read the above WARNING before attempting to remove oven door.
2. Open the door completely.
3. Lift up the hinge bracket on each hinge as shown in Figure 16.

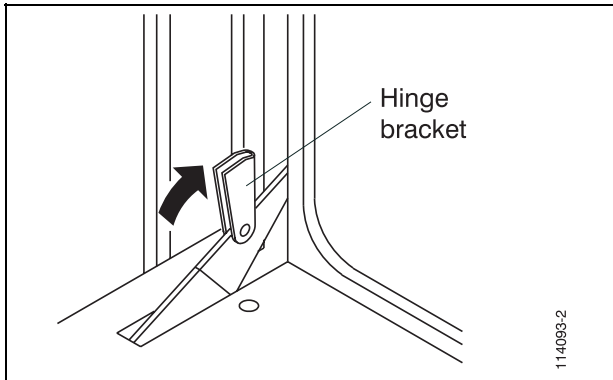


Figure 16.

4. Hold the door firmly on both sides using both hands and pull the door straight out of the hinge slots pressing it in the direction of closing. Hold firmly; the door is heavy.
5. Place the door in a convenient location for cleaning.

After cleaning the door can be replaced by reversing the above procedure.

Be sure to slide the door straight into the slots, as shown in Figure 17.

After moving the hinge brackets back down into position be sure to close and open the door slowly to assure that it is correctly and securely in place.

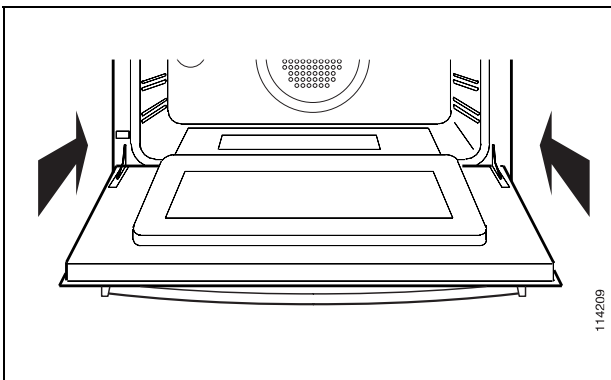


Figure 17.

To remove the door for 27" models HBN4..

1. Be sure to read the above WARNING before attempting to remove oven door.
2. Open the door completely.
3. Lift up the hinge bracket (1, Fig. 18) into the slot (2, Fig. 18).

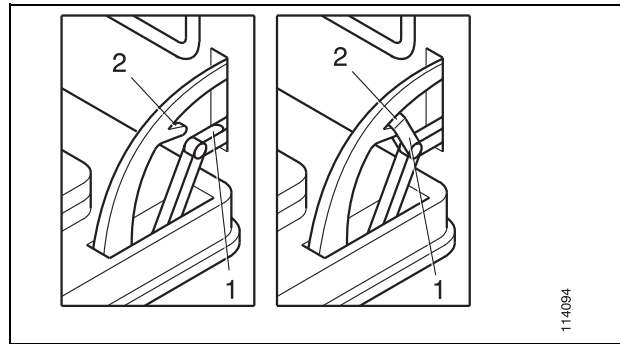


Figure 18.

4. Hold the door firmly on both sides using both hands and close the door. Hold firmly; the door is heavy.
5. Place the door in a convenient location for cleaning.

After cleaning the door can be replaced by reversing the above procedure.

Be sure to slide the hinge parts (1, Fig. 19) into their slots properly.

After moving the hinge brackets back down into position be sure to close and open the door slowly to assure that it is correctly and securely in place.

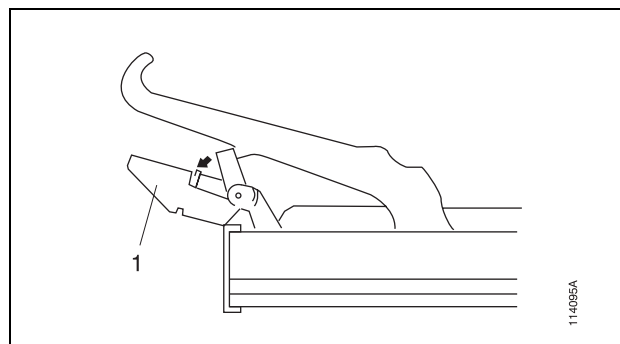


Figure 19.

Service and Repair

The Bosch oven(s) require no special care other than the care and cleaning noted above.

If service becomes necessary, contact your dealer or installer or the Bosch Authorized Service Contractor in your area.

Do not attempt to repair the appliance yourself. Any work performed by unauthorized personnel may void the warranty.

If your appliance should fail to operate, before calling for service please review Table 4 "Problem Solving".

You could save the cost of a service call.

Problem Solving

Ovens may exhibit problems that are unrelated to a malfunction of the oven itself. Service calls for such items, not covered by warranty, must be paid for by you. The following may serve to answer your questions about a problem you are having without having to call a service person.

PROBLEM	POSSIBLE CAUSE	SUGGESTION(S)
Nothing works	Oven not connected to correct electrical circuit.	Have oven connected to properly sized electrical power supply by a qualified electrician.
	A household fuse may have blown or circuit breaker has tripped	Replace fuse or reset circuit breaker.
	Power supply connections are loose.	Have qualified electrician check connections.
The oven will not heat	The Function Selector is in Off position	Turn the function selector to a cooking function.
	The Temperature knob of the oven is not turned up to a temperature.	Set the Temperature knob to temperature desired.
	Timed mode is selected, but COOK TIME has not been set.	Check display and review instruction for programming oven.
	Delayed cooking has been selected and START TIME has not been reached.	Check time of day and check START TIME. Oven should start at preselected START TIME. To cancel delayed start press START TIME button twice.
Clock displays incorrect time of day	Time of day not properly set.	See section of this manual headed Setting Electronic Clock .
Cooking results are not what was expected	The oven is not leveled.	Level oven. See Installation Instructions.
	Oven temperature calibration differs from your previous oven.	The calibration of your old oven may have drifted gradually over time, while your new oven is more exact. Adjust oven temperature settings as needed.
	The oven was not preheated before baking.	Preheat oven when recipe calls for preheated oven.
	Incorrect cooking time, temperature or rack position being used.	
	The recipe has not been tested or is not from a reliable source.	Use only tested recipes from a reliable source.
	The pan is not the correct type or size.	Refer to a reliable cookbook or recipe for recommended pan size.
	Browning or baking results are not like they used to be in the former oven.	Change temperature settings in convection bake as described on page 5 of this manual and increase baking time accordingly.
Door will not open	Oven is in SELF CLEAN and the oven temperature is above 560 °F.	Wait for oven to finish and cool down.
	Oven has finished SELF CLEAN but oven temperature is still above 560 °F.	Wait for oven to cool.
Oven light(s) will not work	Light bulb is burned out.	Replace bulb as described in this manual in section titled Replacing an Oven Light.
	Oven is operating in SELF CLEAN.	Lights do not come on in SELF CLEAN.

Table 4.

If You Need Assistance or Service

If after reviewing Table 4 you decide that you do require service for your oven contact your dealer or installer or the Bosch Authorized Service Contractor in your area. Do not attempt to repair the appliance yourself. Any work performed by unauthorized personnel may void the warranty.

If you are having a problem with your Bosch oven and are not pleased with the service you received:

- First, please contact your installer or the Bosch Authorized Service Contractor in your area and explain to them why you are not satisfied. This will usually correct the problem.
- If after working with your installer or service person the problem still has not been resolved to your satisfaction, please let us know by either writing to us at,

BSH Home Appliances
5551 McFadden Avenue,
Huntington Beach, CA 92649
 or, calling us at, **800/735-4328**

Please be sure to include, if writing, or have available, if calling the following information:

- Model Number
- Serial Number
- Date of Original Purchase
- Date Problem Originated
- Explanation of Problem

Also, if writing, please be sure to include a day-time phone number. You will find the model number and serial number information on the rating plate located on the frame, to the left of the oven opening, as shown in Figure 20.

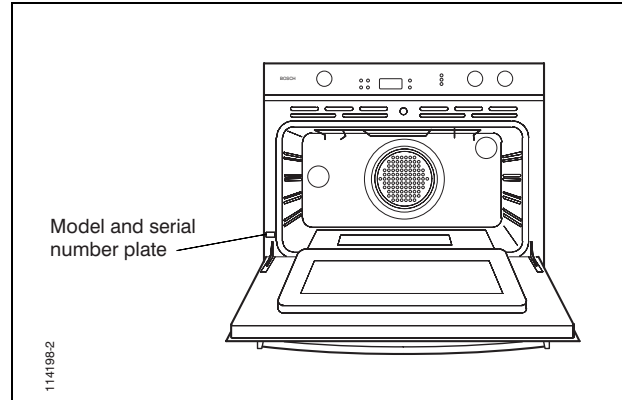


Figure 20.

Model Information

As a handy reference, it is recommended that you copy the information from your Model/Rating Plate to the table below as well as the name of the dealer from whom you purchased the oven and the local Bosch Authorized Service Contractor. Also, keep your invoice for the oven. The invoice, with date of purchase, as well as the model number and serial number will be required for warranty validation:

Model No.:

Serial No.:

Date of Purchase:

Dealer's name:

Phone:

Bosch Authorized Service Contractor:

Phone:

Model Warranty

Statement of Limited Warranty

The warranties provided by BSH Home Appliances (“Bosch”) in this Statement of Limited Warranty apply only to the Bosch Electric Built-In Ovens (“Built-In Oven”) sold to you, the first using purchaser, provided that the Built-In Oven was purchased (1) for your use and not for resale and (2) in the United States or Canada and is located in the country of purchase. As used in this Statement of Limited Warranty, the term “Date of Installation” shall refer to the earlier of the date the Built-In Oven is installed or ten (10) business days after the date the Built-In Oven is sold to the first using purchaser. The warranties stated herein apply only to the first using purchaser and are not transferable.

Standard Limited Warranty

Bosch warrants that its Built-In Oven is free from defects in materials and workmanship for a period of twelve (12) months from the Date of Installation. During the warranty period, Bosch or its authorized service center will repair or replace, at its sole option, any Built-In Oven that proves to have been defective under conditions of normal use without charge. All removed parts and components shall become the property of Bosch, at Bosch’s option. All replaced and/or repaired parts shall assume the identity of the original part for purposes of this warranty and this warranty shall not be extended with respect to such parts.

Other Conditions of the Limited Warranties

The warranties provided in this Statement of Limited Warranty exclude defects or damage resulting from (1) use of the Built-In Oven in other than its normal and customary manner (commercial use of the Built-In Oven shall not be deemed normal or customary), (2) misuse, abuse, accidents or neglect, (3) improper operation, maintenance, installation or unauthorized service, (4) adjustment or alteration or modification of any kind, (5) a failure to comply with applicable state, local, city, and county electrical and/or building codes, (6) spills of food or liquid, and (7) external forces such as floods, fires, acts of God or other circumstances beyond Bosch’s control.

Also excluded from this warranty are scratches and damages on external surfaces and exposed parts or Built-In Ovens on which the serial numbers have been altered, defaced or removed.

To the extent allowed by law, this warranty sets out your exclusive remedies with respect to products covered by it, whether the claim arises in contract or tort (including strict liability, and negligence) or otherwise.

Bosch will not be liable for consequential or incidental damages, losses, or expenses.

THIS WARRANTY IS IN LIEU OF ALL OTHER EXPRESS WARRANTIES. ANY WARRANTY IMPLIED BY LAW, WHETHER FOR MERCHANTABILITY OR FITNESS FOR A PARTICULAR PURPOSE OR OTHERWISE, SHALL BE EFFECTIVE ONLY FOR THE PERIOD THAT THIS EXPRESS WARRANTY IS EFFECTIVE.

No attempt to alter, modify or amend this warranty shall be effective unless authorized in writing by an officer of BSH.

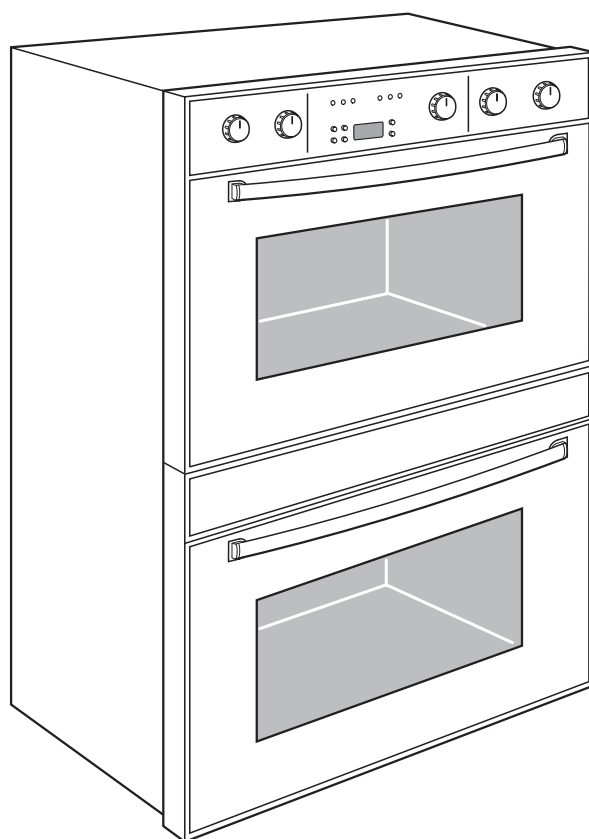
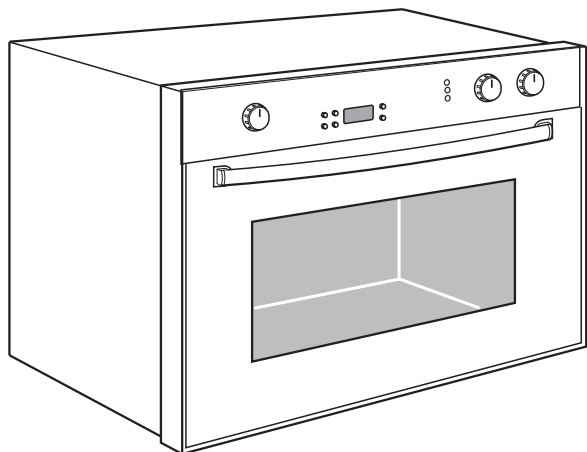
How to Obtain Warranty Service

To obtain warranty service for the Built-In Oven, you should contact the nearest Bosch authorized service center.

BSH Home Appliances - 5551 McFadden Avenue, Huntington Beach, CA 92649 – 800/735-4328.

See Page 20.

BOSCH



*Manuel d'utilisation et d'entretien
Four électrique Bosch encastré,
simple et double
Modeles HBL 43../44../45../46..
HBN 44../45../46..*

VEUILLEZ LIRE TOUTES LES INSTRUCTIONS AVANT D'UTILISER CET APPAREIL

Table des matières

Conseils de sécurité importants	25-26
Caractéristiques du produit	27
Détails sur votre four	27
Ventilateur de refroidissement	27
Position des grilles	27
Éléments de cuisson.....	28
Éléments du grilloir	28
Élément chauffant de la convection	28
Caractéristiques des fours à convection	28
Fonctionnement du four	29
Modèles de four	29
Utilisation de votre four.....	29
Réglage des fonctions de cuisson, Tableau 3.....	31
Programmeur de four	32
Réglage de l'horloge électronique	32
Minuteur.....	32
Usage des commandes du four	34
Fonctionnement manuel du four.....	34
Contrôle électronique du four.....	35
Allumage immédiat/Fermeture automatique	35
Allumage retardé/Fermeture automatique	35
Nettoyage et entretien	38
Utilisation de la fonction auto-nettoyage	38
Remplacement de la lampe du four.....	39
Enlèvement de la porte du four.....	40
Service et réparation	41
Solutions des problèmes, Tableau 4.....	42
Besoin d'aide	43
Information sur le modèle.....	43
Déclaration de garantie limitée	44

CONSEILS DE SÉCURITÉ IMPORTANTS

MISE EN GARDE - Lors de l'utilisation de cet appareil, il est impératif de toujours suivre des consignes de sécurité de base afin de réduire tout risque de feu, de choc électrique et/ou de blessures.

1. **Lisez toutes les instructions avant d'utiliser le four.**
2. **Installation correcte** - Assurez-vous que votre appareil est correctement installé et mis à la terre par un technicien qualifié. Demandez à l'installateur de vous montrer où se trouvent les fusibles ou la boîte du disjoncteur et comment couper le courant de votre four.
3. **Ne faites pas fonctionner le four s'il est endommagé ou ne fonctionne pas correctement.**
4. **N'utilisez jamais votre appareil pour chauffer la pièce.**
5. **Ne laissez pas les enfants seuls** ou sans surveillance dans une pièce où l'appareil est en marche. Ne leur permettez jamais de s'asseoir ou de grimper sur n'importe quelle partie de l'appareil.
6. **Ne touchez pas les éléments chauffants ou les surfaces intérieures du four** - Même si les éléments chauffants ne sont pas de couleur rouge, ils peuvent être très chauds. Les surfaces intérieures et les grilles peuvent aussi être assez chaudes pour causer des brûlures. Durant et après l'utilisation de votre appareil, ne touchez pas les éléments chauffants et ne laissez aucun matériau inflammable en contact avec ceux-ci. Laissez le four se refroidir.
7. **Portez des vêtements adéquats** - Évitez de porter des vêtements amples ou qui pendent lorsque vous cuisinez. Les tissus peuvent s'enflammer et causer des brûlures graves.
8. **Utilisez seulement des mitaines sèches** - Le contact des mitaines humides ou mouillées avec une surface chaude, peut causer des brûlures dues à la vapeur. Ne touchez pas les éléments chauffants avec des mitaines. N'utilisez pas de serviette ou de linge épais pour manipuler les ustensiles.
9. **Service** - Ne réparez ni ne remplacez aucune pièce de l'appareil à moins que ce ne soit spécifiquement recommandé dans ce manuel. Toute autre réparation doit être référée à un technicien qualifié.
10. **Rangement d'articles dans ou sur l'appareil** - Ne rangez aucun article inflammable dans le four.
11. **Ne jetez jamais d'eau sur de la graisse en feu** - Éteignez les flammes à l'aide d'un couvercle ou utilisez un extincteur chimique sec ou à mousse.
12. **Faites attention en ouvrant la porte** - Laissez l'air chaud ou la vapeur s'échapper avant de sortir ou de remuer les aliments.
13. **Ne faites pas chauffer d'aliments en boîte sans avoir au préalable ouvert la boîte** - La pression dans une boîte fermée peut causer une explosion et des blessures.
14. **Gardez toujours les ouvertures de ventilation libres de toute obstruction.**
15. **Installation des grilles de four** - Placez toujours les grilles de four à l'endroit désiré quand le four est froid. Si vous devez déplacer la grille alors que le four est chaud, prenez soin de ne pas toucher les éléments chauffants avec vos mitaines.

CONSEILS DE SÉCURITÉ IMPORTANTS

16. **Ne nettoyez pas le joint de la porte** - Le joint de la porte est essentiel à la bonne fermeture du four. Prenez soin de ne pas le frotter, l'endommager ou le déplacer.
17. **N'utilisez pas de nettoyant pour four** - N'utilisez aucun nettoyant ni revêtement protecteur pour four sur n'importe quelle pièce du four.
18. **Ne nettoyez que les pièces listées dans le manuel.**
19. **Avant d'auto-nettoyer le four** - Enlevez les grilles du four et autres ustensiles.
20. **Vérifiez que l'appareil est éteint lorsque vous avez fini** - À la fin de la cuisson, assurez-vous que tous les boutons de commande du four sont à la position OFF.
21. **MISE EN GARDE** - Ne rangez pas d'articles qui peuvent intéresser les enfants dans les armoires au-dessus du four. Si un enfant grimpe sur l'appareil pour aller chercher ces articles, il pourrait se blesser sérieusement.
22. **Débranchez toujours le four de l'alimentation électrique avant de le faire réparer.**

Caractéristiques du produit

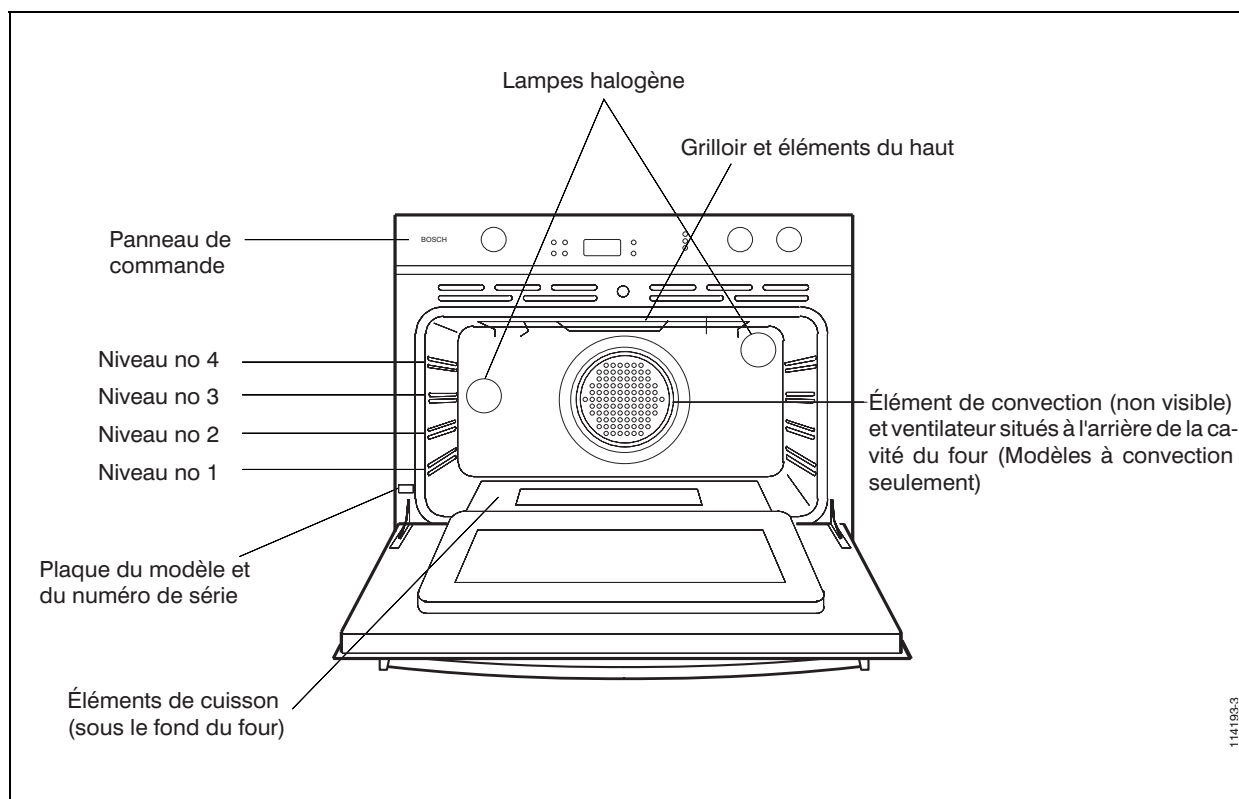


Figure 1.

Détails sur votre four

Vous trouverez ci-dessus une illustration des composants d'un four Bosch.

Ce manuel couvre la ligne complète des fours simples et doubles de Bosch, ce qui explique que certaines caractéristiques décrites ne se retrouvent pas dans votre four.

Ventilateur de refroidissement

Tous les fours, à convection ou non, ont un ventilateur servant à refroidir le panneau de commandes.

Ce ventilateur continue souvent à tourner après la cuisson ou le nettoyage, tant que le four est chaud et que le sélecteur de fonction est à une autre position que OFF. C'est le fonctionnement normal du ventilateur.

Positions des grilles

Il y a quatre niveaux de grilles, tel qu'illustré ci-dessus.

Chaque niveau consiste en deux supports creusés sur les côtés de la cavité.

La grille s'insère dans les supports.

Chaque four est équipé des pièces et ustensiles suivants:

- Des grilles.

Veillez toujours à placer les grilles, etc., avant d'allumer le four.

Assurez-vous que les grilles sont horizontales.

Pour retirer la grille, soulevez la grille à l'avant et tirez.

Pour le replacer:

1. Placez l'arrière de la grille entre les guides de niveau.
2. Tout en soulevant l'avant de la grille, faites glisser la grille entièrement à l'intérieur, puis abaissez l'avant. Référez-vous à l'illustration si vous avez des doutes sur l'avant et l'arrière de la grille.

Les éléments de cuisson

Les fours Bosch sont munis de deux éléments de cuisson: un situé en haut du four et un autre situé sous le fond de la cavité du four pour faciliter le nettoyage de la cavité du four.

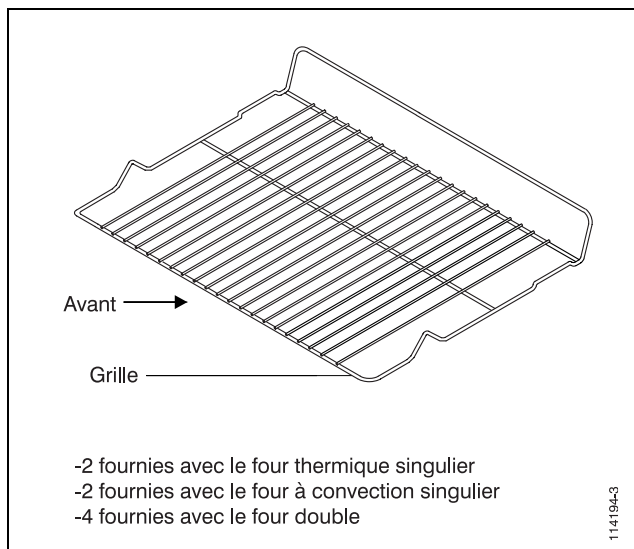


Figure 2.

Éléments du grilloir

Les éléments du grilloir des fours Bosch sont situés en haut de la cavité du four. Ne touchez pas ces éléments chauffants et évitez tout contact avec vos mains. N'utilisez pas de serviette ou de gros chiffons pour retirer un ustensile, ils pourraient prendre feu.

Élément chauffant de la convection

Si vous avez un four à convection, vous trouverez l'élément à convection (non visible) et le ventilateur à l'arrière de la cavité du four. La combinaison de cet élément et du ventilateur effectue la cuisson dans le mode "convection bake". Le ventilateur est toujours en marche lorsque le four est en mode convection, référez-vous au Tableau 3.

Caractéristiques des fours à convection

Les fours simples et doubles sont offerts en modèle conventionnel thermique ou en modèles à convection. Nombreux sont ceux qui se posent des questions sur le système à convection et sur les raisons pour lesquelles il est supérieur au système thermique. Vous trouverez ci-dessous une brève explication du fonctionnement d'un four à convection et de ses avantages.

Dans les Fours à Convection Bosch, (Genuine European Convection System™) les 3 éléments, le ventilateur et le panneau de ventilation, l'air chaud circule à travers le four dans une façon égale. Il en résulte plusieurs avantages:

- La conservation des jus et de la saveur
- La cuisson et il permet de rissoler les aliments
- L'épargne du temps et d'énergie
- La cuisson à de différents niveaux et simultanément
- La déshydratation des herbes, des fruits et des légumes
- La cuisson de repas complètes sans perdre la saveur des aliments
- La décongélation des aliments

Le livre de cuisine de Bosch fournit quelques conseils utiles et une description de chaque cycle de cuisson. Il fournit en outre des recettes pour chaque cycle pour vous aider à employer votre nouveau four. Beaucoup de nos recettes ont les instructions et les températures pour le temps de cuisson du cycle normal. En règle générale, la plupart des recettes peuvent être cuisinées avec les meilleurs résultats dans un des cycles de convection, vous réduisez la température de 25°F et vous vérifiez à ce point le minimum de cuisson suggéré. Quand vous faites de cuisson sur plus de 1 grille on doit augmenter le temps de cuisson, quelques minutes en plus pour chaque grille additionnelle.

Comme chaque goût varie, vous devrez essayer de mettre le temps de cuisson exact ainsi que la juste température pour obtenir de bons résultats.

Vous devrez cuisiner avec votre nouveau four d'une façon différente de votre vieux four.

Nous vous conseillons d'employer les différents cycles de cuisine pour quelques mois et vous devrez vous référer au livre de cuisine Bosch pour vous familiariser avec votre four.

Il est déconseillé d'employer des thermomètres à four que vous pourrez trouver dans de grands magasins pour vérifier la température du four. Ils pourraient être inexacts et ils ne pourraient pas répondre aux changements de température.

Fonctionnement du four

Modèles de fours

Il y a 21 modèles différents de fours Bosch (voir Tableaux 1 et 2 ci-dessous). Les fours Bosch sont offerts en 27" ou 30" en blanc, noir ou acier inoxydable, en configuration simple ou double et en modèle standard, de type thermique ou de type à convection. Les fours doubles sont offerts avec un seul four à convection ou les deux à convection.

Modèles à four simple	Convection	Couleurs		
		Blanc	Acier inox.	Noir
HBL 432A UC	NON	X		
HBL 435A UC	NON		X	
HBL 436A UC	NON			X
HBL 442A UC HBN 442A UC	OUI	X		
HBL 445A UC HBN 445A UC	OUI		X	
HBL 446A UC HBN 446A UC	OUI			X

Tableau 1.

Modèles à four double	Convection (Haut/Bas)	Couleurs		
		Blanc	Acier inox.	Noir
HBL 452A UC HBN 452A UC	OUI/NON	X		
HBL 455A UC HBN 455A UC	OUI/NON		X	
HBL 456A UC HBN 456A UC	OUI/NON			X
HBL 462A UC HBN 462A UC	OUI/OUI	X		
HBL 465A UC HBN 465A UC	OUI/OUI		X	
HBL 466A UC HBN 466A UC	OUI/OUI			X

Tableau 2.

En raison des nombreux modèles offerts, toutes les caractéristiques décrites ci-dessous peuvent ne pas s'appliquer à votre four.

Utilisation de votre four

Il est très important d'apprendre à bien se servir de son four pour obtenir les meilleurs résultats. Vous **trouverez** ci-après des informations importantes pour l'utilisation efficace et sécuritaire de votre four.

Avant d'utiliser le four pour la première fois

Assurez-vous d'enlever tous les produits d'emballage et autre matériel du four. Tout matériel de cette sorte laissé à l'intérieur du four risque de fondre ou de brûler quand le four sera mis en marche.

Panneau de commandes

Tous les fours comportent les commandes suivantes, tel qu'illustré dans la figure 3:

- Boutons-poussoirs du programmeur:
 - Bouton de l'horloge
 - Bouton du minuteur
 - Bouton du temps de cuisson (Cook Time)
 - Bouton de l'heure de début de cuisson
 - Réglage de l'heure, boutons + et -
- Affichage du programmeur
- Lumière allumée/éteinte
- Lumière de la chaleur
- Lumière de fermeture de la porte
- Bouton sélecteur manuel/Minuteur
- Boutons de contrôle de température
- Boutons sélecteur de mode

La Figure 3 montre en haut le panneau de commande du four double; en bas le panneau de commande du four simple.

Boutons-poussoirs du programmeur

Ces boutons servent à régler et programmer le four. Voir les sections **Minuteur** et **Programmation du four** pour plus d'explications sur l'usage de ces boutons.

Afficheur du programmeur

L'afficheur du programmeur effectue plusieurs fonctions. Lorsque le four est branché pour la première fois à l'électricité, l'afficheur est vide.

Voir les sections **Minuteur** et **Programmation du four** pour plus d'explications sur le réglage de l'afficheur et la cuisson programmée.

Sélecteur du mode Minuteur/Manuel

Ce bouton sert à régler le four sur le mode Minuteur (Timer) ou sur le mode Manuel.

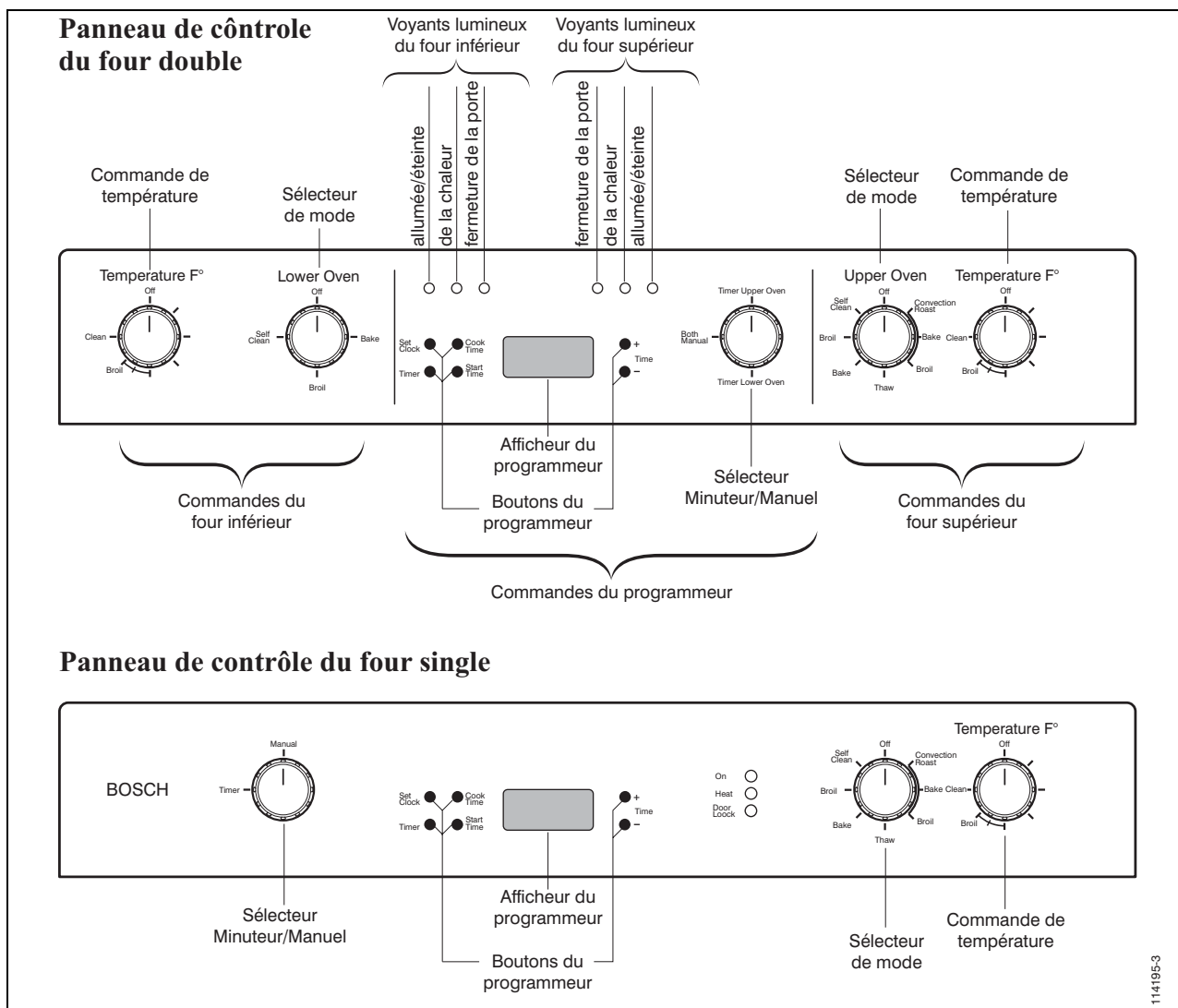


Figure 3.

Lumière allumée/éteinte

Ce voyant lumineux s'allume dès que le four est en marche.

Le voyant lumineux de chaleur

Le voyant lumineux de chaleur s'allume quand vous allumez votre four. Quand le four rejoint la température désirée, le voyant lumineux s'éteint pour vous faire connaître que le four est chaud. (Le temps de chauffage peut être approximativement de 12/15 minutes quand vous employez la tension de 240 volts. Si le support électrique est inférieur à 240 volts, le temps de chauffage sera plus long). Le voyant lumineux est relié aux éléments de cuisine et il s'éteint au moment où le four cycle pour maintenir la température fixée.

Lumière de fermeture de la porte

Ce voyant s'illumine à chaque fois que le four est en mode d'auto-nettoyage et que la porte est verrouillée.

Bouton de contrôle de la température

Ce bouton sert à régler la température désirée. Il est marqué en degrés Fahrenheit.

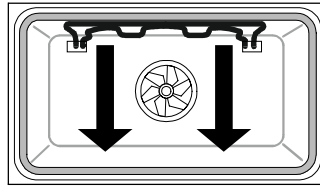
Sélecteur de mode

Ce bouton sert à placer le four dans différents modes: éteindre le four (OFF), auto-nettoyage, fonction de cuisson désirée, etc. Le nombre de modes dépend du modèle de four que vous possédez.

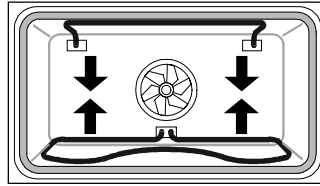
Veillez vous référer au Tableau 3 - **Réglage des fonctions de cuisson**, pour plus d'informations sur la sélection des modes de cuisson.

Réglage des fonctions de cuisson

Four thermique



Note: Les éléments du bas sont illustrés à des fins de clarté seulement. Ils sont en fait situés sous le plancher de la cavité du four.

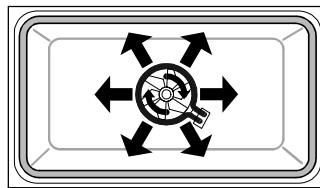


Information sur les fonctions

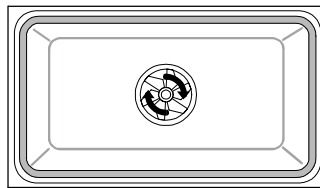
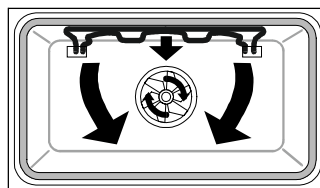
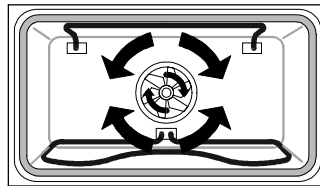
BROIL (Grilloir) - sert à griller les aliments. Lorsque le four est réglé sur "BROIL", les éléments du haut fonctionnent et chauffent. Peut s'utiliser avec la porte ouverte ou fermée.

BAKE (Rôtissoire) - ce mode est utilisé pour cuire, rôtir et réchauffer des mets cuisinés, etc. Lorsque le four est réglé sur "BAKE", l'élément du haut et celui du bas fonctionnent et chauffent.

Les fours à convection ont les fonctions de cuisson additionnelles suivantes



Note: Les éléments du bas sont illustrés à des fins de clarté seulement. Ils sont en fait situés sous le plancher de la cavité du four.



Convection Bake (Cuisson à convection) - c'est le mode le plus polyvalent de cuisson ou de réchauffement d'une grande variété de plats. Idéal pour la préparation d'une grande quantité de mets sur plusieurs grilles en même temps.

Lorsque le four est réglé sur "Convection Bake", les éléments pour le cuisson circulaire de l'arrière fonctionnent et le ventilateur se met en marche.

Convection Roast (Rôtissage) - sert à faire rôtir les aliments.

Lorsque le four est réglé sur "Convection Roast", l'élément du haut et l'élément du bas fonctionnent. Le ventilateur se met en marche.

Convection Broil (Grilloir) - sert à faire griller le poisson et les morceaux épais de viande. La porte doit être fermée durant la grillade à convection.

Lorsque le four est réglé sur "Convection Broil", les éléments du haut fonctionnent. Le ventilateur se met en marche

Thaw (Décongélation) - sert à décongeler les aliments.

Lorsque le four est réglé sur "Thaw", aucun élément ne fonctionne. Seul le ventilateur se met en marche

Tableau 3. Réglages des fonctions de cuisson

Programmeur de four

Le programmeur sert à contrôler électroniquement la cuisson dans votre four. La figure 4 montre toutes les fonctions disponibles sur l'écran d'affichage et leurs emplacements. Les boutons directement adjacents à l'affichage sont les boutons de programmation. Ils servent à programmer le four et à régler l'horloge.

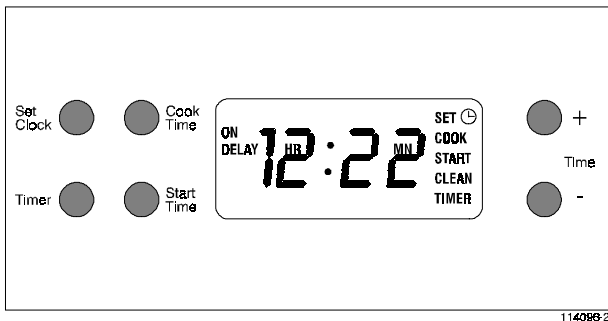


Figure 4.

Réglage de l'horloge électronique

Lorsque le four est branché pour la première fois sur l'électricité, ou s'il y a eu une panne de courant, l'écran affichera toutes les fonctions (comme dans la Figure 4) puis se videra complètement pour ne montrer que des tirets et le symbole de l'horloge dans le coin supérieur droit (comme dans la Figure 5).

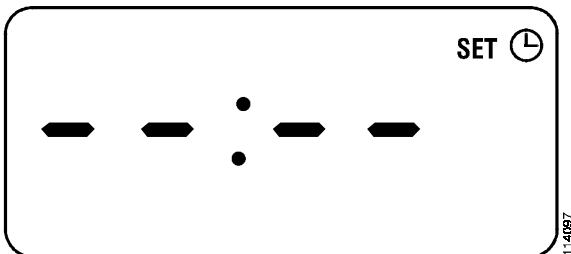


Figure 5.

Réglage de l'heure

Appuyez sur le bouton **Set Clock**. Un bip se fera entendre. Puis appuyez sur les boutons plus (+) ou moins (-), à droite de l'afficheur pour obtenir l'heure juste. En appuyant simplement sur + ou -, l'heure avancera ou diminuera de 1 minute à la fois, mais si vous appuyez et maintenez la pression sur ces boutons, l'heure changera de 10 minutes à la fois. Quand l'heure juste est atteinte, appuyez sur le bouton Set Clock pour introduire l'heure. Un "bip" se fera entendre et le symbole de l'horloge dans le coin supérieur droit disparaîtra.

Pour changer l'heure du jour, répétez simplement les étapes ci-dessus. Pour vérifier l'heure alors que le minuteur est en marche, appuyez sur le bouton Set Clock. L'heure apparaîtra brièvement à l'écran puis la fonction de minutage reprendra.

Le minuteur

Le minuteur fait le compte à rebours de l'intervalle de temps réglé.

Réglage du minuteur

- Appuyez sur le bouton **Timer**. Un bip se fera entendre et l'affichage changera: l'heure disparaîtra et sera remplacée par 00 et on pourra lire sur l'écran SET TIMER, à la droite, comme dans la Figure 6.
- Appuyez ensuite sur les boutons plus (+) ou moins (-), à droite de l'afficheur pour établir la durée de cuisson désirée.

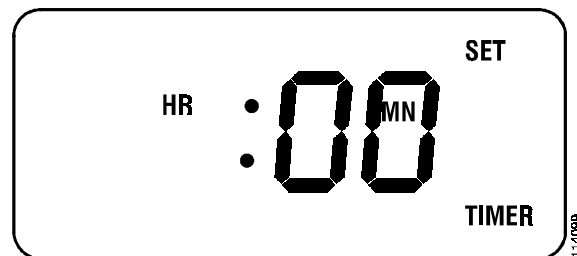


Figure 6.

Note:

1. Chaque fois que vous appuyez sur les boutons plus (+) ou moins (-), l'affichage augmentera ou diminuera d'une minute. Si vous appuyez et maintenez la pression sur ces boutons, l'affichage augmentera ou diminuera de 10 minutes à la fois.
 2. Si vous n'appuyez pas sur les boutons plus (+) ou moins (-) dans les 5 secondes après avoir appuyé sur le bouton **Timer**, vous aurez à appuyer encore sur **Timer** pour accéder au mode minutage.
- Une fois que l'intervalle de temps désiré est programmé, relâchez les boutons.
 - L'intervalle de temps commencera après 4 secondes environ.

- Le mot indicateur **Timer** restera affiché durant tout le compte à rebours.
- Le minuteur fera le compte à rebours en minutes, jusqu'à la dernière minute, puis il passera aux secondes.
- A la fin de l'intervalle de temps programmé, le mot **Timer** clignotera et trois bips se feront entendre.
- L'afficheur retournera alors à l'heure courante ou à tout autre fonction programmée active, et les bips continueront toutes les 10 secondes jusqu'à ce que n'importe quel bouton soit touché.
- Dès qu'un bouton est touché, le mot clignotant **Timer** disparaît de l'écran.

Annulation du minuteur

Le mot **Timer** étant présent à l'écran, il suffit d'appuyer une seule fois sur le bouton Timer pour annuler la fonction de minutage.

Si vous aviez programmé d'autres fonctions minutées après avoir réglé le minuteur, vous pouvez rappeler le mot indicateur **Timer** à l'écran en appuyant sur le bouton Timer.

Ensuite, comme précédemment, annulez la fonction en appuyant une seconde fois sur le bouton **Timer**. Après 5 secondes, l'afficheur retournera à l'heure du jour ou à tout autre fonction programmée active.

Vérification du minuteur durant une fonction minutée

Si vous avez programmé une autre fonction minutée après avoir réglé le minuteur, vous pouvez rappeler la fonction **Timer** à l'écran en appuyant sur le bouton Timer.

Vous pourrez alors voir combien de temps il reste au minuteur.

Usage des commandes du four

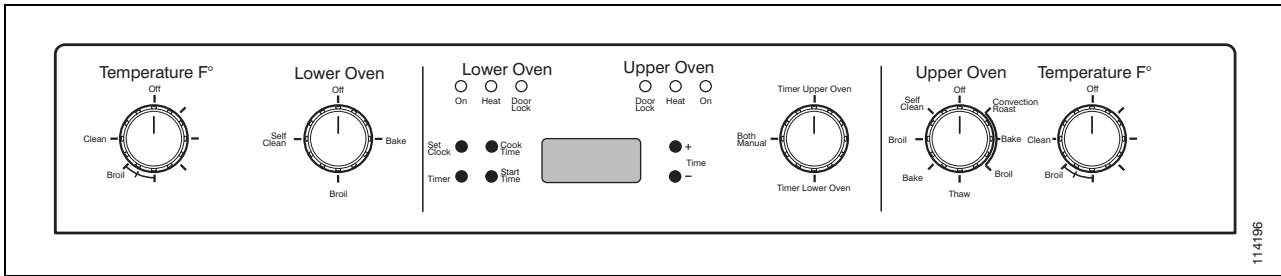


Figure 7. Panneau de commande du four double, HBL/HBN45..

Les commandes du four servent à faire fonctionner le four soit manuellement, soit de façon programmée. Nous traiterons d'abord de la façon manuelle, ensuite du programmeur.

Fonctionnement manuel du four

Avant d'allumer votre four, mettez les grilles en place. Pour changer une grille de place, levez-la grille, tirez-la vers vous et réinsérez-la au niveau désiré.

Placez le bouton sélecteur Minuteur/Manuel à la position **Manual** (voir Figure 3). Si vous avez un four double, comme dans la Figure 7, vous avez le choix entre trois positions:

- **Timer Upper Oven** - Minuteur du four supérieur - à cette position, vous devez utiliser le minuteur pour contrôler le four supérieur, tandis que le four inférieur peut être utilisé manuellement.
- **Both Manual** - Les deux sur manuel - à cette position, vous pouvez utiliser les deux fours manuellement.
- **Timer Lower Oven** - Minuteur du four inférieur - à cette position, vous devez utiliser le minuteur pour contrôler le four inférieur, tandis que le four supérieur peut être utilisé manuellement.

Une fois que vous avez placé le bouton sélecteur sur **Manual** ou, si vous avez un four double, décidé quel four vous allez utiliser:

1. Tournez le bouton sélecteur de mode et placez-le au mode de cuisson choisi. Référez-vous à la Figure 3 ou au Tableau 3 si vous n'êtes pas sûr de quel bouton il s'agit ou quelle fonction vous voulez choisir pour votre four.

Note: Le ventilateur commence à fonctionner dès que le bouton sélecteur n'est plus sur **OFF**.

2. Tournez le bouton de contrôle de la température et placez-le à la température désirée.

Note: S'il s'agit d'un four à convection et que vous avez choisi la décongélation (**THAW**), il n'est pas nécessaire de toucher au bouton de la température puisqu'il n'y a aucun chauffage dans ce mode.

3. Une fois que la cuisson est terminée, n'oubliez pas de replacer le bouton sélecteur de mode et le bouton de la température à la position **OFF**.

Contrôle électronique du four

Allumage immédiat/Fermeture automatique

Pour utiliser les commandes électroniques et faire en sorte que la cuisson commence immédiatement et s'arrête automatiquement:

1. Placez les grilles du four aux niveaux désirés et posez les aliments.
2. Assurez-vous que l'horloge du four est à l'heure.
3. Placez le bouton sélecteur Minuteur/Manuel (Figure 3) à la position **Timer** pour un four simple ou, s'il s'agit d'un four double, à **Timer Upper Oven** pour le four supérieur ou **Timer Lower Oven** pour le four inférieur. Le programmeur est alors mis en marche.

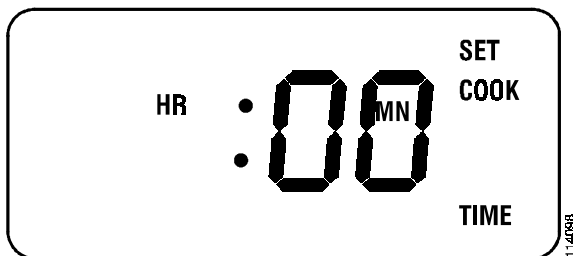


Figure 8.

4. Placez le bouton sélecteur de mode à la fonction de cuisson désirée:
 - Broil (Grillade)
 - Bake (Cuisson)
 - Convection Bake
 - Convection Roast (Rôtissage à convection)
 - Convection Broil
 - Thaw (Décongélation)
5. Placez le bouton de la température à la température désirée.
6. Appuyez sur le bouton **Cook Time** (Temps de cuisson). Un bip se fera entendre et l'écran affichera SET-COOK-TIME sur le côté droit (voir Figure 8), ce qui signifie que vous devez introduire la durée de cuisson choisie.

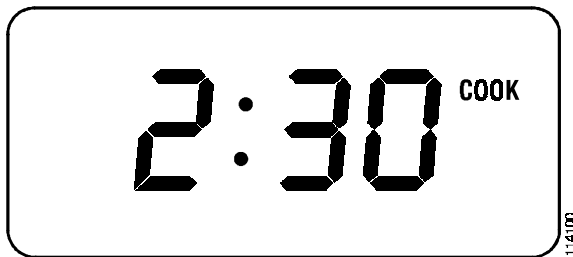


Figure 9.

7. Pour cela, appuyez sur le bouton plus (+) ou moins (-), à droite de l'écran, pour donner au minuteur la durée de cuisson choisie. La durée maximum est de 11 heures et 50 minutes (la durée minimum est de 1 minute).

Note: Si vous ne touchez pas aux boutons + ou - dans les 5 secondes après avoir touché au bouton **Cook Time**, vous aurez à recommencer, c'est-à-dire, appuyer sur **Cook Time** à nouveau pour obtenir SET-COOK-TIME.

8. Après avoir réglé le temps de cuisson, vous entendrez un bip, puis le mot indicateur COOK (Cuisson) apparaîtra à l'écran et le four commencera à chauffer. La Figure 9 montre à quoi ressemblerait l'écran s'il avait été programmé pour une cuisson de 2 heures et 30 minutes.
9. À la fin du temps de cuisson programmé, le four s'éteindra automatiquement et le mot COOK clignotera. Vous entendrez 3 bips et le four continuera à émettre des bips toutes les 10 secondes jusqu'à ce que vous touchiez à un bouton.

Assurez-vous de remettre le bouton sélecteur de mode et le bouton de température à la position OFF après la fin de la cuisson par contrôle électronique.

Annulation du temps de cuisson

Pour annuler le temps de cuisson programmé, appuyez deux fois sur le bouton **Cook Time**.

Allumage retardé/Fermeture automatique

On peut aussi utiliser le programmeur pour faire en sorte que la cuisson commence plus tard, dure un certain temps et s'arrête automatiquement.

Cette fonction n'est pas recommandée pour les aliments qui contiennent de la levure ou de la poudre à lever car ceux-ci ne lèveront pas normalement.

N'oubliez pas également d'inclure au temps de cuisson le temps nécessaire au four pour qu'il atteigne la température désirée. La plupart du temps, il faut ajouter environ 10 minutes au temps de cuisson.

Ce temps de préchauffage n'est pas requis pour les fours à convection, mais suivez quand même votre recette.



MISE EN GARDE

Lorsqu'on utilise la cuisson retardée ou différée, il faut prendre soin d'éviter que les aliments ne se gâtent et causent un empoisonnement.

1. Évitez tout aliment qui pourrait se gâter dans le four, en attendant que la cuisson ne commence. Ne faites pas cuire en mode retardé les aliments contenant des oeufs ou des produits laitiers. Si vous faites cuire des viandes congelées ou non, du poisson ou du poulet, ne laissez pas ces aliments attendre plus de deux heures à l'intérieur du four.
2. Ne laissez pas les aliments à l'intérieur du four plus d'une heure après la fin de cycle de cuisson.

Pour utiliser le programmeur afin de commencer la cuisson plus tard et d'arrêter automatiquement le four:

1. Placez les grilles du four aux niveaux désirés et posez les aliments.
2. Assurez-vous que l'horloge du four est à l'heure.
3. Placez le bouton sélecteur Minuteur/Manuel (Figure 3) à la position **Timer** pour un four simple ou, s'il s'agit d'un four double, à **Timer Upper Oven** pour le four supérieur ou **Timer Lower Oven** pour le four inférieur. Le programmeur est alors mis en marche.

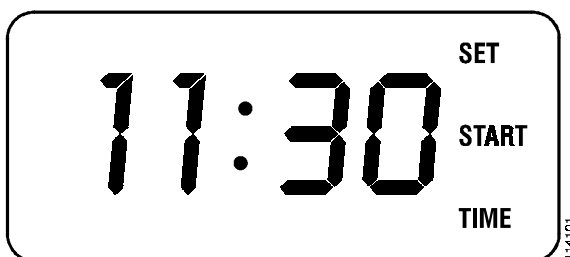


Figure 10.

4. Placez le bouton sélecteur de mode à la fonction de cuisson désirée:
 - Broil (Grillade)
 - Bake (Cuisson)
 - Convection Bake
 - Convection Roast (Rôtissage à convection)
 - Convection Broil
 - Thaw (Décongélation)

5. Placez le bouton de la température à la température désirée.
6. Appuyez sur le bouton **Start Time** (Heure de Début de cuisson). Un bip se fera entendre et l'écran affichera SET-START-TIME sur le côté droit (voir Figure 10).
7. Ensuite appuyez sur le bouton plus (+) ou moins (-), à droite de l'écran, pour donner au minuteur l'heure de début de cuisson désiré. Après avoir introduit cette heure, un bip se fera entendre et les mots DELAY-START-TIME (Heure de cuisson retardée) apparaîtront brièvement.

Note: Si vous ne touchez pas aux boutons + ou - dans les 5 secondes après avoir touché au bouton **Start Time**, vous aurez à recommencer, c'est-à-dire, appuyer sur **Start Time** à nouveau pour obtenir SET-START-TIME.

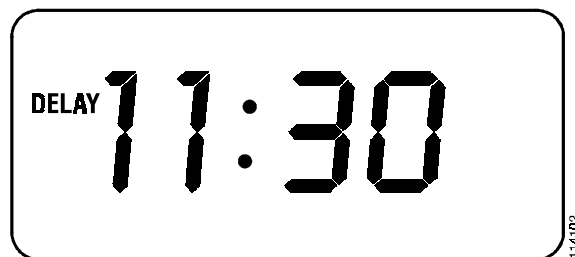


Figure 11.

8. Appuyez sur le bouton **Cook Time** (Temps de cuisson). Un bip se fera entendre et l'écran affichera SET-COOK-TIME sur le côté droit (voir Figure 8), ce qui signifie que vous devez introduire la durée de cuisson choisie.
9. Pour cela, appuyez sur le bouton plus (+) ou moins (-), à droite de l'écran, pour donner au minuteur la durée de cuisson choisie. La durée maximum est de 11 heures et 50 minutes (la durée minimum est de 1 minute). L'écran retournera à l'heure du jour avec le mot DELAY à gauche du jour, comme dans la Figure 11.
10. Lorsque l'heure du début de la cuisson est atteinte, le mot COOK apparaîtra à l'écran avec la durée de la cuisson programmée. À la fin du temps de cuisson programmé, le four s'éteindra automatiquement et le mot COOK clignotera. Vous entendrez 3 bips et le four continuera à émettre des bips toutes les 10 secondes jusqu'à ce que vous touchiez à un bouton.

Assurez vous de remettre le bouton sélecteur de mode et le bouton de température à la position OFF après la fin de la cuisson.

Vérification de l'heure de début de cuisson avant que la cuisson ne commence:

Appuyez sur le bouton **Start Time**. L'heure de début de cuisson apparaîtra brièvement à l'écran, puis disparaîtra pour retourner à l'heure du jour.

Changement de l'heure de début de cuisson avant que la cuisson ne commence:

Appuyez sur le bouton **Start Time**. Un bip se fera entendre et l'écran affichera SET-START-TIME sur le côté droit. Ensuite appuyez sur le bouton plus (+) ou moins (-), à droite de l'écran, pour donner au minuteur l'heure de début de cuisson désiré. Après avoir introduit cette heure, un bip se fera entendre et les mots DELAY-START-TIME (Heure de cuisson retardée) apparaîtront brièvement à l'écran puis l'écran retournera à l'heure du jour avec le mot DELAY à gauche de l'heure, comme dans la Figure 11.

Vérification de la durée de cuisson:

Appuyez sur le bouton **Cook Time**. La durée de cuisson apparaîtra brièvement à l'écran, puis disparaîtra pour retourner au programme courant.

Changement de la durée de cuisson:

Appuyez sur le bouton **Cook Time**. Un bip se fera entendre et l'écran affichera SET-COOK-TIME sur le côté droit (voir Figure 8). Ensuite appuyez sur le bouton plus (+) ou moins (-), à droite de l'écran, pour donner au minuteur la durée de cuisson désirée. La durée de cuisson maximum est de 11 heures et 50 minutes (la durée minimum est de 1 minute).

Annulation de la cuisson retardée

Appuyez deux fois sur le bouton **Start Time**.

Annulation du temps de cuisson

Appuyez deux fois sur le bouton **Cook Time**.

Nettoyage et entretien

La ligne de fours Bosch offrent une fonction d'auto-nettoyage pyrolytique qui élimine la tâche fastidieuse de nettoyage du four à la main. Durant l'auto-nettoyage, le four atteint une température de 850°F pour brûler toutes les graisses et les débris d'aliments. Les fumées produites durant cet exercice sont filtrées et évacuées. Vous remarquerez cependant des cendres dans le fond du four à la fin de l'auto-nettoyage.

Une fois que le four s'est refroidi, vous pourrez enlever ces cendres à l'aide d'une éponge ou d'un chiffon humide. Vous trouverez ci-dessous des instructions sur l'utilisation de l'auto-nettoyage.



MISE EN GARDE

Assurez-vous que toutes les commandes du four sont sur OFF et que le four est froid avant de le nettoyer. Autrement, il y a des risques de brûlures ou de choc électrique.

Pour les parties du four autres que la cavité, nous recommandons les méthodes de nettoyage suivantes:

- **Panneau de commande**
Employez de l'eau tiède savonneuse ou du nettoyant pour verre et nettoyez tout le panneau de commande. Ensuite, rincez et séchez-le à l'aide d'un chiffon humide ou d'une éponge. **N'UTILISEZ PAS** d'abrasifs ou de laine d'acier car ils endommageront la surface.
- **L'acier inoxydable**
Pour nettoyer, il faut employer un produit de nettoyage standard qu'on emploie pour l'acier inoxydable comme Cameo®, Bar Keepers Friend® ou Bon-Ami®. Il faut suivre les instructions du fabricant pour le nettoyage du four. Après le nettoyage, il faut appliquer un produit comme Twinkle® ou Stainless Steel Magic®. **IL NE FAUT PAS EMPLOYER DE MATERIAUX ABRASIFS COMME LES PAILLES DE FER, LA LAINE OU DES EPONGES DURES, CELA GRATTERAIT LA SURFACE DU FOUR.**
- **Face avant de la porte du four et poignées**
Employez de l'eau tiède savonneuse ou du nettoyant pour verre et nettoyez bien la surface vitrée de la porte. Ensuite, rincez et séchez-la ainsi que les poignées, à l'aide d'un chiffon humide ou d'une éponge. **N'UTILISEZ PAS** d'abrasifs ou de laine d'acier car ils endommageront la surface.

- **Lèche-frite et grilles**
Employez de l'eau tiède savonneuse et avec un tampon de laine d'acier, nettoyez la lèche-frite et les grilles. Ensuite, rincez et séchez-les. **NE LES LAISSEZ PAS** à l'intérieur du four pour les nettoyer durant la fonction **d'auto-nettoyage**.
- **Cadre de la porte entourant le joint de la porte**
Assurez-vous que le four est froid et à l'aide d'un tampon nettoyant en plastique non-abrasif et d'eau savonneuse, nettoyez cette surface. Celle-ci doit être nettoyée à la main car autour du joint, la surface ne chauffe pas assez pour brûler toutes les souillures (voir Figure 12).

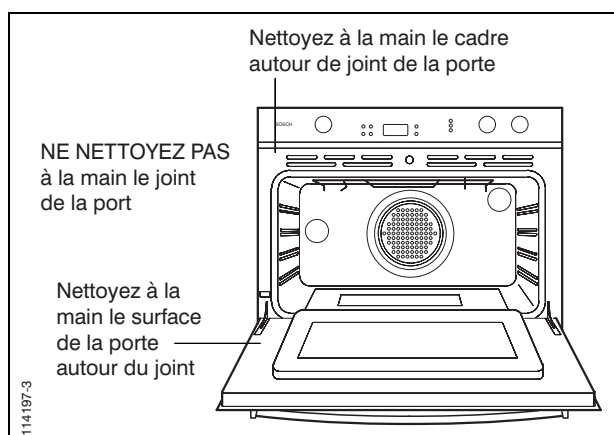


Figure 12.

- **Surface de la porte entourant le joint**
Assurez-vous que le four est froid et à l'aide d'un tampon nettoyant en plastique non-abrasif et d'eau savonneuse, nettoyez cette surface. Celle-ci doit être nettoyée à la main car autour du joint, la surface ne chauffe pas assez pour brûler toutes les souillures (voir Figure 12).

Utilisation de la fonction d'auto-nettoyage

Cette fonction est minutée et est donc utilisée de la même manière que la fonction de **Début immédiat/Arrêt automatique** ou **Début retardé/Arrêt automatique**. Vous trouverez ci-dessous les préparations à effectuer avant et le nettoyage à faire après:

1. Avant de commencer l'auto-nettoyage, enlevez toutes les grilles. Si vous aviez placé une feuille d'aluminium dans le four, retirez-la.

Note: Si vous laissez des articles dans le four durant l'auto-nettoyage, ils risquent de s'endommager. Quant aux grilles, elles seront plus difficiles à faire glisser en place.

2. Nettoyez le cadre autour de la porte et du joint de porte (voir Figure 12). Ne nettoyez pas le joint à la main car vous pourriez déplacer ou endommager le joint. Les surfaces autour du joint doivent être nettoyées à la main car elles ne chauffent pas assez durant l'**auto-nettoyage** pour brûler toutes les souillures.
3. Essuyez les taches de graisse ou autres débris d'aliments à l'aide d'un chiffon humide. Cela réduira la quantité de fumée causée par l'auto-nettoyage.

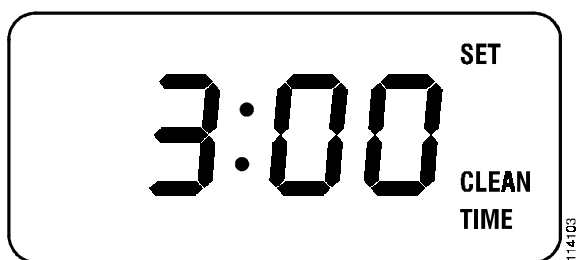


Figure 13.

4. Assurez-vous que la porte est bien fermée et que l'horloge du four est à l'heure.
5. Placez le bouton sélecteur Minuteur/Manuel (Figure 3) à la position **Timer** pour un four simple ou, s'il s'agit d'un four double, à **Timer Upper Oven** pour le four supérieur ou **Timer Lower Oven** pour le four inférieur. Le programmeur est alors mis en marche pour le four que vous voulez nettoyer.
6. Réglez le bouton sélecteur à **Self Clean** (auto-nettoyage). L'écran affichera alors SET-CLEAN-TIME avec un réglage initial de 3 heures. Si vous ne touchez pas aux boutons + ou - dans les secondes qui suivent, l'écran retournera à la fonction CLEAN, comme dans la Figure 14.
7. Réglez le bouton de la température à **Clean**.
8. Si vous désirez changer la durée du nettoyage afin qu'elle soit autre que 3 heures, appuyez sur le bouton **Cook Time**. Un bip se fera entendre et l'écran affichera SET-CLEAN-TIME sur le côté droit (voir Figure 13). La durée programmée est de 3 heures, cependant, elle peut varier de 2 heures 30 minutes à 4 heures, selon que le four soit peu sale ou très sale. Optez pour:
 - 2h30 à 3h30 pour un four légèrement sale
 - 3h à 3h30 pour un four moyennement sale
 - 3h30 à 4h pour un four très sale

9. Pour ajuster la durée du nettoyage, appuyez sur les boutons plus (+) ou moins (-), à droite de l'afficheur.

Note: Si vous ne touchez pas aux boutons + ou - dans les 5 secondes après avoir touché au bouton **Cook Time**, il faudra appuyer à nouveau sur le bouton **Cook Time** pour obtenir à l'écran SET-CLEAN-TIME.

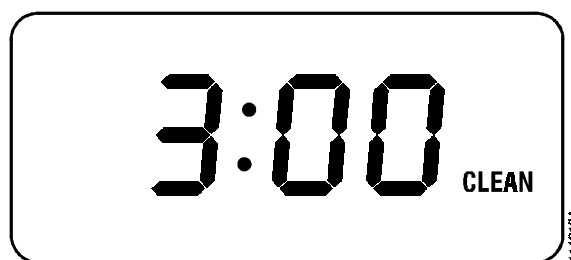


Figure 14.

10. Après avoir réglé la durée du nettoyage (Clean Time), vous entendrez un bip et le mot indicateur CLEAN apparaîtra à l'écran. Le four commencera alors le processus d'auto-nettoyage. Quand le four atteindra 560°F, le processus de verrouillage automatique de la porte s'enclenchera et le voyant lumineux de verrouillage de porte s'illuminera. La porte restera verrouillée et le voyant allumé jusqu'à ce que la température du four descende au-dessous de 560°F.
11. À la fin de la période de nettoyage programmée, le four s'éteindra automatiquement. Laissez le four se refroidir.
12. Ouvrez la porte. Assurez-vous que le four s'est refroidi et a atteint une température sécuritaire. Nettoyez les cendres qui se sont déposées au fond du four à l'aide d'un chiffon humide ou d'une éponge. S'il y a encore des taches blanches sur le four, vous pouvez les enlever avec une éponge. Ces taches blanches sont de simples taches de sel qui ne partent pas durant l'auto-nettoyage.
13. Réinstallez les grilles et la lèche-frite.

Assurez vous de remettre le bouton sélecteur et le bouton de température à la position OFF à la fin du nettoyage.

Remplacement d'une lampe de four

Chaque four est muni de deux lampes placées sur la paroi arrière du four. Les lampes s'allument quand on ouvre la porte du four ou quand un cycle de cuis-

son est en cours. Les lampes du four ne s'allument pas durant l'auto-nettoyage. Chaque système d'éclairage consiste en une lentille amovible, une ampoule et une douille qui est fixée en place (voir Figure 15). Le changement de lampe est une opération routinière d'entretien.

Pour remplacer une lampe:

1. Lire la MISE EN GARDE qui suit.
2. Coupez le courant à la source principale (fusible ou boîte de dérivation).

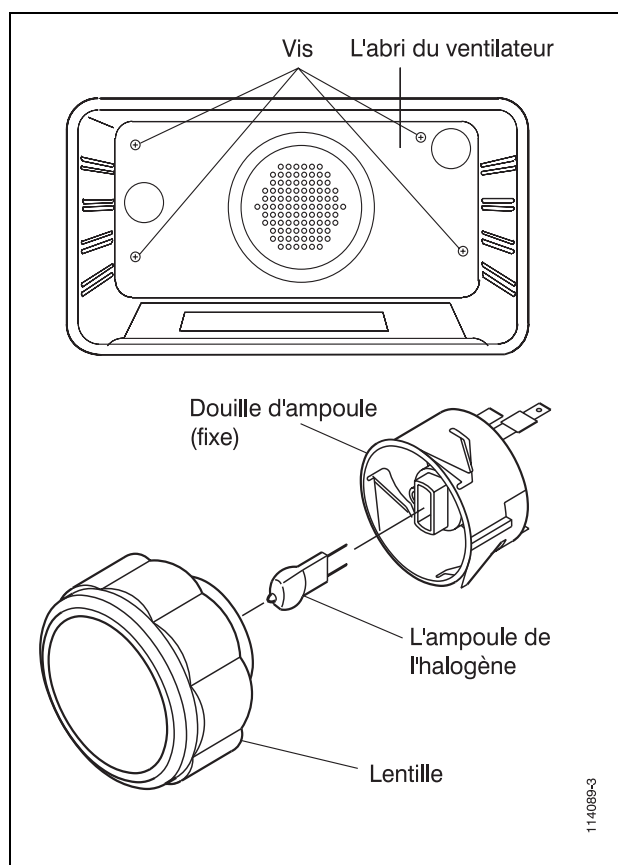


Figure 15.



MISE EN GARDE

Assurez-vous que le four et les lampes sont froids et que le courant alimentant le four a été coupé avant de remplacer les lampes. Le fait de ne pas suivre ces consignes pourrait résulter en choc électrique ou des brûlures.

Les lentilles doivent être en place avant d'utiliser le four. En effet ils servent à protéger l'ampoule du bris.

Les lentilles sont en verre. Manipulez-les avec soin. Le bris de verre peut causer des blessures.

3. Enlevez l'abri du ventilateur en dévissant les quatre vis dans les multifonction fours.
4. Enlevez la lentille en le dévissant.
5. Enlevez l'ampoule de sa douille en le tirant.
6. Remplacez l'ampoule par une nouvelle ampoule en prenant soin de ne pas la toucher avec les doigts nus. Leur graisse peut endommager l'ampoule quand elle devient chaud. L'ampoule est halogène 12 V-20 W.
7. Vissez la lentille.
8. Remplacez l'abri du ventilateur s'il est présent dans la cavité.
9. Rétablissez le courant (fusible ou boîte de dérivation).

Enlèvement de la porte de four

La porte du four peut se démonter, si nécessaire, pour le nettoyage.



MISE EN GARDE

Assurez-vous que le four est froid et que le courant alimentant le four a été coupé avant d'enlever la porte. Le fait de ne pas suivre ces consignes pourrait résulter en choc électrique ou des brûlures.

La porte du four est lourde et fragile. Tenez-la avec les deux mains. La vitre de la porte est fragile, prenez soin de ne pas la briser. Le bris de verre pourrait causer des blessures.

Tenez la porte par les côtés seulement et non par la poignée. La poignée pourrait tourner et causer des dommages et des blessures.

Le fait de ne pas tenir fermement et correctement la porte peut résulter en blessures personnelles et en dommages au produit.

Pour enlever la porte pour 30" en modèles HBL4..

1. Lisez attentivement la mise en garde ci-dessus avant de tenter d'enlever la porte.
2. Ouvrez complètement la porte.
3. Soulevez le support de charnière de chaque charnière tel qu'indiqué à la Figure 16.

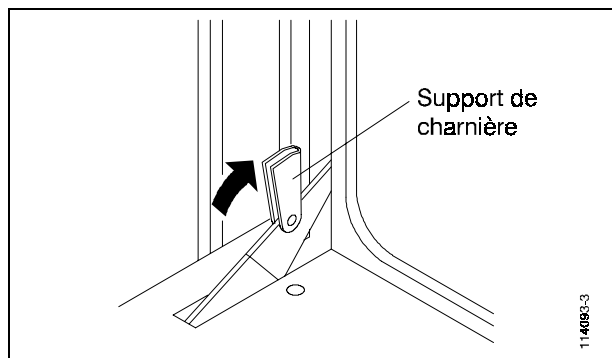


Figure 16.

4. Agrippez fermement la porte des deux mains, par les côtés et sortez-la des fentes à charnière en la tirant vers vous. Tenez-la solidement car elle est très lourde.
5. Placez-la dans un endroit pratique pour le nettoyage.

Après l'avoir nettoyée, vous la replacerez en effectuant les mêmes procédures en sens inverse. Veillez à glisser correctement la porte dans les fentes tel qu'indiqué à la Figure 17. Remettez les supports de charnière en position, puis fermez et ouvrez lentement la porte pour vérifier qu'elle est correctement et sécuritairement en place.

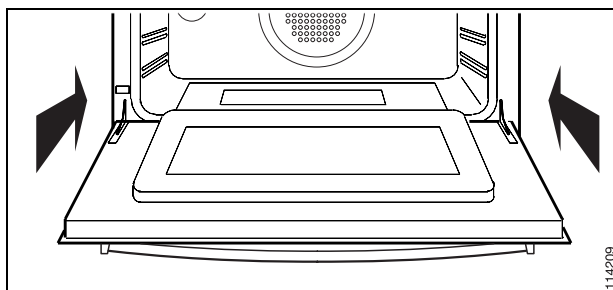


Figure 17.

Pour enlever la porte pour 27" en modèles HBN4..

1. Lisez attentivement la mise en garde ci-dessus avant de tenter d'enlever la porte.
2. Ouvrez complètement la porte.
3. Soulevez le support de charnière (1, Fig. 18) dans la fente (2, Fig. 18).

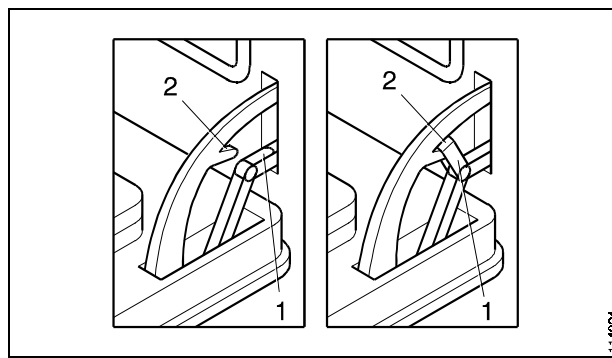


Figure 18.

4. Agrippez fermement la porte des deux mains, par les côtés et fermez la porte. Agrippez fermement, la porte est lourde.
5. Placez la porte dans un endroit pratique pour le nettoyage.

Après l'avoir nettoyée, vous la replacerez en effectuant les mêmes procédures en sens inverse.

Veillez à glisser correctement les supports de charnière (1, Fig. 19) dans les fentes. Après avoir déplacé les supports de charnière vers le bas en position, vérifiez que la porte est correctement et sécuritairement en place.

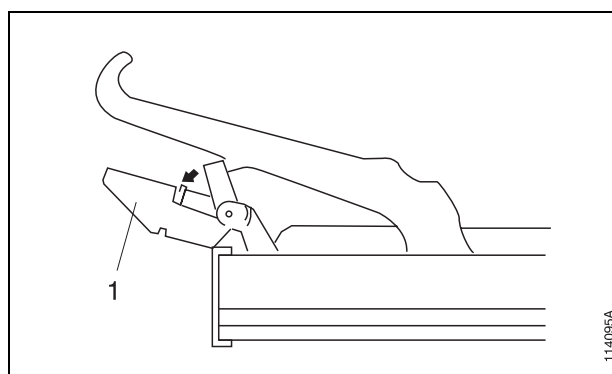


Figure 19.

Service et réparation

Les fours Bosch ne nécessitent aucun entretien particulier autre que celui décrit précédemment. Si votre appareil a besoin d'être réparé, communiquez avec votre concessionnaire ou avec l'installateur ou encore avec l'Agent de service autorisé Bosch de votre région.

Ne tentez pas de réparer vous-même l'appareil. Tout travail effectué par une personne non autorisée aura pour effet d'annuler la garantie. Si votre four ne fonctionne pas, consultez le Tableau 4 intitulé Solution des problèmes, avant d'appeler un agent de service. Cela vous épargnera les coûts de service.

Solution des problèmes

Il arrive que les fours présentent des problèmes qui ne se rapportent pas au mauvais fonctionnement de l'appareil. Les appels pour de tels problèmes ne sont pas couverts par la garantie et vous serez donc responsables des frais de réparation. Le tableau ci-dessous vous aidera à résoudre ce genre de problèmes sans avoir à appeler un agent de service.

PROBLÈME	CAUSE POSSIBLE	SUGGESTIONS
Rien ne fonctionne	Le four n'est pas branché au circuit électrique adéquat.	Faites brancher le four à une source d'électricité adéquate, par un électricien qualifié.
	Un fusible a sauté ou le disjoncteur est déclenché.	Remplacez le fusible ou ré-enclenchez le disjoncteur.
	Les fiches de l'alimentation en courant ne sont pas bien branchées.	Faites vérifier les connexions par un électricien qualifié.
Le four ne chauffe pas	La fonction Sélecteur est à la position OFF.	Tournez le bouton sélecteur à une position de cuisson.
	Le bouton de la température n'a pas été placé à la température désirée.	Réglez le bouton de la température à la température désirée.
	Le mode de minutage a été choisi mais la durée de la cuisson n'a pas été réglée.	Vérifiez l'afficheur et relisez les instructions relatives à la programmation du four.
	Vous avez choisi la cuisson retardée et l'heure de début de cuisson n'a pas encore été atteinte.	Vérifiez l'heure et l'heure de début (Start Time). Le four devrait chauffer à l'heure de début de cuisson programmée. Pour annuler la cuisson retardée, appuyez deux fois sur le bouton START TIME.
L'horloge du four n'est pas à la bonne heure	Vous n'avez pas réglé correctement l'horloge.	Voir section de ce manuel intitulée Réglage de l'horloge électronique .
Les résultats de la cuisson ne sont pas concluants	Le four n'est pas de niveau.	Mettez le four de niveau. Voir les instructions d'installation.
	La calibration de température de votre four diffère de votre four précédent.	La calibration de votre vieux four peut s'être altérée avec le temps, tandis que celle de votre nouveau four est plus exacte. Rajustez les réglages de températures du four si nécessaire.
	Le four n'a pas été préchauffé avant la cuisson.	Préchauffez le four lorsque la recette spécifie de le préchauffer.
	Temps de cuisson incorrect, vous n'avez pas utilisé la température ou la position de grille adéquate.	
	Il s'agit d'une nouvelle recette ou elle ne provient pas d'une source fiable.	N'utilisez que des recettes provenant de source fiable.
	L'ustensile utilisé n'est pas du type ou de la grandeur recommandée.	Référez-vous à un livre de cuisine fiable pour la grandeur correcte de l'ustensile.
	Les résultats de cuisson ou de gril ne sont pas les mêmes de votre four précédent.	Changez les temps et la température pour la cuisson comme il est décrit à la page 28 de ce manuel et enclenchez le temps de cuisson
La porte ne s'ouvre pas	Le four est en cycle d'auto-nettoyage (SELF-CLEAN) et la température du four est supérieure à 560°F.	Attendez que le cycle prenne fin et que le four refroidisse.
	Le cycle d'auto-nettoyage (SELF-CLEAN) est terminé, mais la température du four est encore supérieure à 560°F.	Attendez que le four refroidisse.
Les lumières du four ne fonctionnent pas	L'ampoule est brûlée.	Remplacez l'ampoule tel qu'indiqué dans ce manuel à la section Remplacement de l'ampoule du four .
	Le four est en cycle d'auto-nettoyage (SELF-CLEAN).	Les ampoules ne s'allument pas durant l'auto-nettoyage.

Tableau 4.

Si vous avez besoin d'assistance ou de service

Si, après avoir lu le Tableau 4, vous décidez que votre appareil a besoin d'être réparé, communiquez avec votre concessionnaire ou avec l'installateur ou encore avec l'Agent de service autorisé Bosch de votre région. Ne tentez pas de réparer vous-même l'appareil. Tout travail effectué par une personne non autorisée aura pour effet d'annuler la garantie.

Si vous avez un problème avec votre four Bosch et que vous n'êtes pas satisfait(e) du service qu'on vous a offert:

- Premièrement communiquez avec votre installateur ou avec l'Agent de service autorisé Bosch de votre région et expliquez-lui pourquoi vous n'êtes pas satisfait(e). Ils se feront un plaisir de régler votre problème.
- Si, après avoir travaillé avec l'installateur ou l'agent de service, vous n'êtes toujours pas satisfait(e), faites le nous savoir en nous écrivant à:

BSH Home Appliances
5551 McFadden Avenue,
Huntington Beach, CA 92649

ou appelez-nous au **800/735-4328.**

Veillez vous assurer de nous communiquer les informations suivantes par écrit ou par téléphone:

- Le numéro de modèle
- Le numéro de série
- La date de l'achat original
- La date à laquelle le problème a commencé
- L'explication du problème.

Si vous nous écrivez, assurez-vous aussi de nous donner un numéro de téléphone de jour.

Vous trouverez les numéros de modèle et de série sur la plaque d'identification fixée sur le cadre du four, porte ouverte, côté gauche (voir Figure 20).

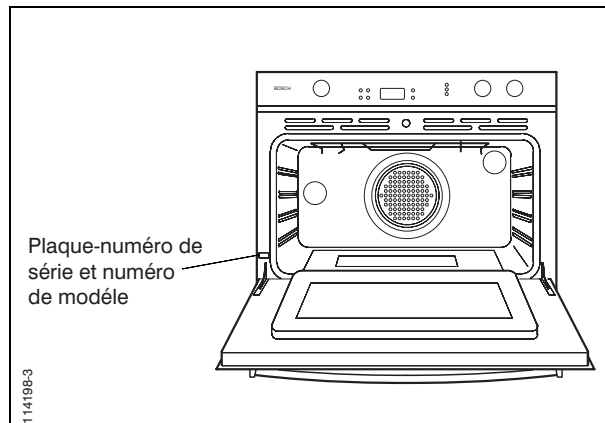


Figure 20.

Informations sur le modèle

La plaque d'identification fixée sur le cadre de l'appareil indique les numéros de modèle et de série de votre four. Nous vous recommandons de recopier les informations contenues sur cette plaque, dans le tableau ci-dessous. Votre facture ainsi que les informations inscrites ci-dessous seront requises pour valider votre garantie.

No de modèle:

No de série:

Date d'achat:

Nom du marchand:

No de téléphone du marchand:

Agent de service autorisé de Bosch:

No de téléphone de l'agent:

Déclaration de garantie limitée

Les garanties fournies par BSH Home Appliances ("Bosch") dans cette déclaration de garantie limitée s'appliquent seulement aux fours électriques encastrés Bosch ("Fours encastrés") achetés par vous, le premier acheteur, à condition que le Four encastré ait été acheté (1) pour votre usage personnel et non pour la revente (2), aux États-Unis ou au Canada, et que le four se trouve dans le pays où il a été acheté. Le terme «Date d'installation» utilisé dans cette déclaration se réfère à la date à laquelle le Four encastré a été installé ou à dix (10) jours ouvrables après la date à laquelle le Four encastré a été vendu au premier acheteur/utilisateur. Les garanties mentionnées ci-dessous s'appliquent seulement au premier acheteur/utilisateur et ne sont pas transférables.

Garantie limitée standard

Bosch garantit que ses fours encastrés sont libres de toute défectuosité de matériau ou de fabrication pour une période de douze (12) mois à partir de la date d'installation. Durant cette période de garantie, Bosch ou son centre de service autorisé réparera ou remplacera, à sa seule discrétion et sans frais, tout Four encastré qui s'avèrera défectueux, dans des conditions d'usage normal. Toutes les pièces et composants retirées du four deviendront la propriété de Bosch, à la seule discrétion de Bosch. Toutes les pièces remplacées et/ou réparées assumeront l'identité de la pièce originale aux fins de cette garantie et cette garantie ne s'appliquera pas à de telles pièces.

Autres conditions de la garantie limitée

Les garanties fournies dans cette Déclaration de garantie limitée excluent les défectuosités et les dommages résultant de (1) l'usage du Four encastré autre qu'un usage normal et habituel (l'usage commercial du Four encastré n'est pas considéré comme normal ou habituel), (2) le mauvais usage, l'abus, les accidents ou la négligence, (3) le fonctionnement incorrect, l'entretien, l'installation ou le service non autorisés, (4) les rajustements, changements ou modifications de toutes sortes, (5) le fait de ne pas se conformer aux règlements et codes électriques et/ou de construction locaux, municipaux, provinciaux et nationaux en vigueur, (6) les renversements d'aliments et ou de liquides, et (7) les forces extérieures telles que inondations, incendies, actes naturels et autres circonstances hors du contrôle de Bosch. Sont exclues également de cette garantie les éraflures et dommages aux surfaces extérieures et aux parties exposées du Four encastré sur lequel les numéros de série ont été effacés, changés ou enlevés.

Dans la mesure autorisée par la loi, cette garantie établit vos recours exclusifs relativement aux produits couverts par la garantie, que la réclamation provienne du contrat ou d'un tort (incluant la stricte responsabilité et la négligence) ou autre. Bosch ne sera pas responsable des dommages-intérêts indirects ou accessoires, des pertes ou des dépenses. CETTE GARANTIE REMPLACE TOUTE AUTRE GARANTIE EXPRESSE OU ACCESSOIRE. TOUTE GARANTIE SUGGÉRÉE PAR LA LOI, QUE CE SOIT POUR LA QUALITÉ MARCHANDE OU L'USAGE A DES FINS PARTICULIÈRES OU AUTRE, NE SERA APPLICABLE QUE DURANT LA PÉRIODE OU CETTE GARANTIE EXPRESSE EST EN VIGUEUR. Aucune tentative de modifier, changer ou amender cette garantie ne sera en vigueur à moins qu'elle ne soit autorisée par écrit par un cadre de BSH.

Comment obtenir un service de garantie

Pour obtenir un service sous garantie pour Four encastré, communiquez avec le centre de service Bosch le plus proche ou avec

BSH Home Appliances – 5551 McFadden Avenue, Huntington Beach, CA 92649.

Voir page 43.

