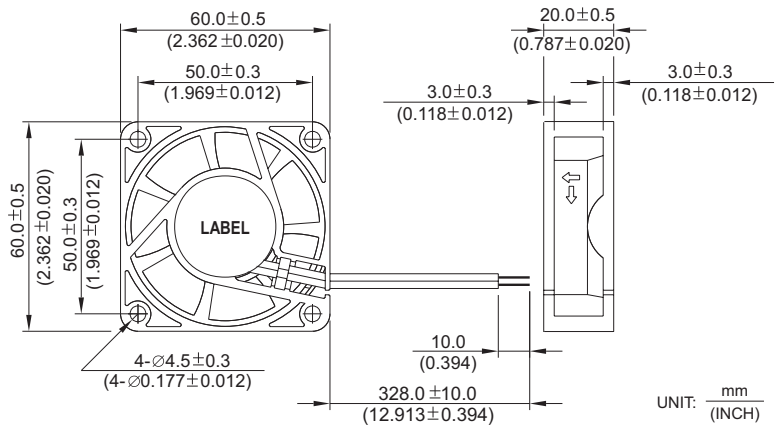


AFB 60 x 60 x 20 MM SERIES

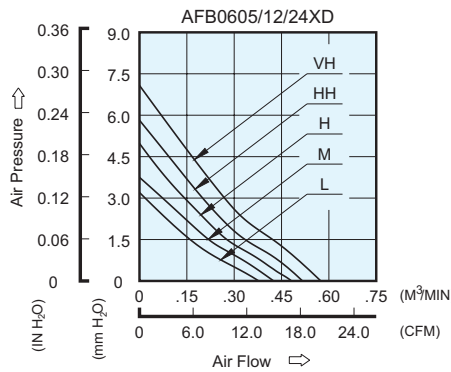
DIMENSIONS DRAWING



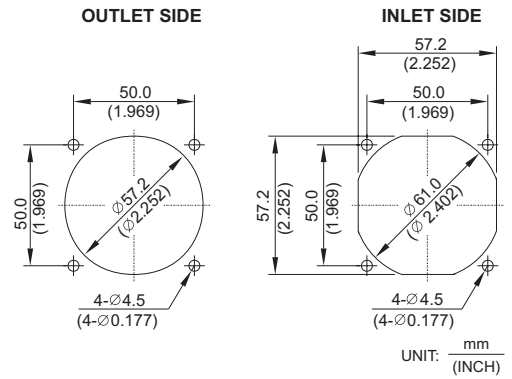
UNIT: mm (INCH)

- * Bearing Type
Ball Bearings
- * Material
Impeller & Frame : Plastic (UL 94V-0)
- * Lead Wires :
UL 1007 AWG #24 OR Equivalent
Red Wire Positive (+)
Black Wire Negative (-)
- * Weight : 62g (2.19 oz)
- * Rib Type Only

P & Q CURVE (AT RATED VOLTAGE)



MOUNTING PANEL CUTOUT



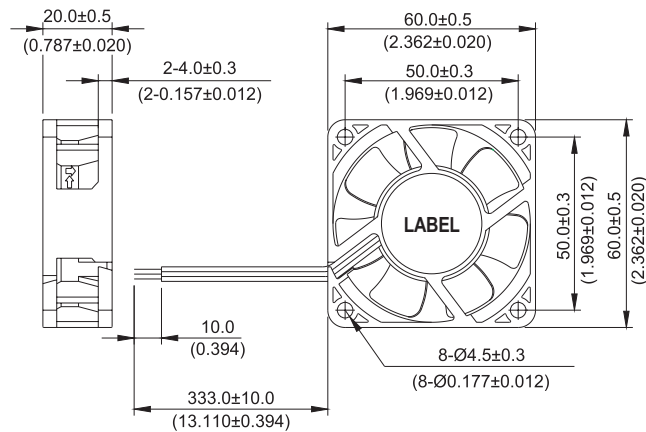
UNIT: mm (INCH)

MODEL		Rated Voltage	Operating Voltage Range	Input Current	Input Power	Speed	Maximum Air Flow		Maximum Air Pressure		Noise
PART NO.	FUNCTION	VDC	VDC	Amp	Watt	R.P.M.	m ³ /min	CFM	mmH ₂ O	IN H ₂ O	dB-A
AFB0605LD	/ -F00	5	4.5 to 5.5	0.14	0.70	3200	0.370	13.06	3.03	0.119	24.0
AFB0612LD	-R00 / -F00	12	7.0 to 13.8	0.07	0.84						
AFB0624LD	-R00 / -F00	24	14.0 to 27.6	0.03	0.72						
AFB0605MD	/ -F00	5	4.5 to 5.5	0.19	0.95	3600	0.420	14.83	3.83	0.151	26.0
AFB0612MD	-R00 / -F00	12	7.0 to 13.8	0.09	1.08						
AFB0624MD	-R00 / -F00	24	14.0 to 27.6	0.04	0.96						
AFB0605HD	/ -F00	5	4.5 to 5.5	0.24	1.20	4000	0.470	16.60	4.80	0.189	28.0
AFB0612HD	-R00 / -F00	12	7.0 to 13.8	0.11	1.32						
AFB0624HD	-R00 / -F00	24	14.0 to 27.6	0.05	1.20						
AFB0605HHD	/ -F00	5	4.5 to 5.5	0.33	1.65	4400	0.520	18.36	5.81	0.229	31.0
AFB0612HHD	-R00 / -F00	12	7.0 to 13.8	0.15	1.80						
AFB0624HHD	-R00 / -F00	24	14.0 to 27.6	0.07	1.68						
AFB0612VHD	-R00 / -F00	12	7.0 to 13.8	0.18	2.16	4800	0.560	19.78	7.00	0.275	33.0
AFB0624VHD	-R00 / -F00	24	14.0 to 27.6	0.09	2.16						

* Function type is optional.
 * The max. air flow and the speed are measured in free air ; max. air pressure is measured at zero air flow.
 * Noise is measured in anechoic chamber in free air, one meter from intake side.
 * All readings are typical values at rated voltage.
 * Specifications are subject to change without notice.

AFB 60 x 60 x 20 MM SERIES

DIMENSIONS DRAWING

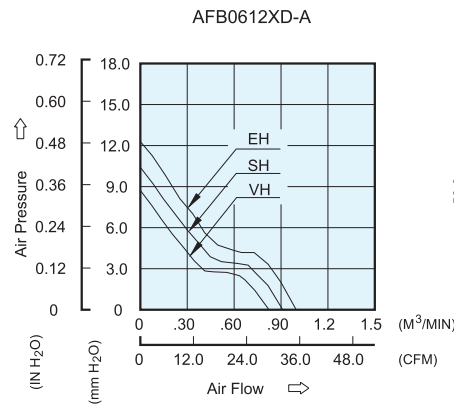


UNIT: $\frac{\text{mm}}{\text{(INCH)}}$

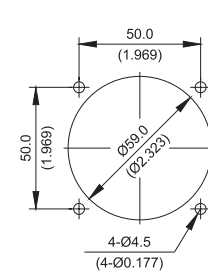
- * Bearing Type
Ball Bearings
- * Material
- * Impeller & Frame : Plastic (UL 94V-0)
- * Lead Wires :
UL 1007 AWG #24 OR Equivalent
Red Wire Positive (+)
Black Wire Negative (-)
- * Weight : 56g (1.98 oz)

P & Q CURVE (AT RATED VOLTAGE)

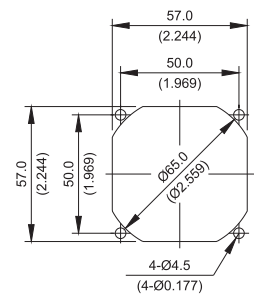
MOUNTING PANEL CUTOUT



OUTLET SIDE



INLET SIDE



UNIT: $\frac{\text{mm}}{\text{(INCH)}}$

MODEL			Rated Voltage	Operating Voltage Range	Input Current	Input Power	Speed	Maximum Air Flow		Maximum Air Pressure		Noise
PART NO.	REV.	FUNCTION	VDC	VDC	Amp	Watt	R.P.M.	m ³ /min	CFM	mmH ₂ O	IN H ₂ O	dB-A
AFB0612VHD	-A	-R00 / -F00	12	7.0 to 13.8	0.19	2.28	5400	0.823	29.06	8.72	0.343	41.0
AFB0612SHD	-A	-R00 / -F00	12	7.0 to 13.8	0.28	3.36	6000	0.911	32.17	10.41	0.410	43.0
AFB0612EHD	-A	-R00 / -F00	12	7.0 to 13.8	0.31	3.72	6600	0.997	35.21	12.29	0.484	45.0

* Function type is optional.
 * The max. air flow and the speed are measured in free air ; max. air pressure is measured at zero air flow.
 * Noise is measured in anechoic chamber in free air, one meter from intake side.
 * All readings are typical values at rated voltage.
 * Specifications are subject to change without notice.