

OPERATING INSTRUCTIONS AND OWNER'S MANUAL**MR. HEATER**

READ INSTRUCTIONS CAREFULLY: Read and follow all instructions. Place instructions in a safe place for future reference. Do not allow anyone who has not read these instructions to assemble, light, adjust or operate the heater.

HEATSTAR

MODEL

MH35LP

MODEL

HS35LP



CYLINDER NOT INCLUDED

**GAS-FIRED INFRA-RED
PORTABLE CONSTRUCTION HEATER**

DO NOT LEAVE HEATER UNATTENDED OR IN OPERATION WHILE SLEEPING

**GENERAL HAZARD WARNING:**

FAILURE TO COMPLY WITH THE PRECAUTIONS AND INSTRUCTIONS PROVIDED WITH THIS HEATER CAN RESULT IN DEATH, SERIOUS BODILY INJURY AND PROPERTY LOSS OR DAMAGE FROM HAZARDS OF FIRE, EXPLOSION, BURN, ASPHYXIATION, CARBON MONOXIDE POISONING, AND/OR ELECTRICAL SHOCK.

ONLY PERSONS WHO CAN UNDERSTAND AND FOLLOW THE INSTRUCTIONS SHOULD USE OR SERVICE THIS HEATER.

IF YOU NEED ASSISTANCE OR HEATER INFORMATION SUCH AS INSTRUCTION MANUALS, LABELS, ETC., CONTACT THE MANUFACTURER.

**WARNING:**


FIRE, BURN, INHALATION AND EXPLOSION HAZARD. KEEP SOLID COMBUSTIBLES SUCH AS BUILDING MATERIALS, PAPER OR CARDBOARD A SAFE DISTANCE AWAY FROM THE HEATER AS RECOMMENDED BY THE INSTRUCTIONS. NEVER USE THE HEATER IN SPACES WHICH DO OR MAY CONTAIN VOLATILE OR AIRBORNE COMBUSTIBLES OR PRODUCTS SUCH AS GASOLINE, SOLVENTS, PAINT THINNER, DUST PARTICLES OR UNKNOWN CHEMICALS.

**WARNING:** NOT FOR HOME OR RECREATIONAL VEHICLE USE

SPECIFICATIONS


MODEL NO. 35LP
 35LP
 GAS TYPE LP-Gas
 MAX. INLET
 PRESSURE 27.5" W.C.
 MIN. INLET
 PRESSURE 27.5" W.C.
 MANIFOLD
 PRESSURE 25.5" W.C.

Do not exceed the gas supply pressures shown on rating plate for Model 35LP. The maximum inlet gas supply pressure and the minimum inlet gas supply pressure (for purposes of input adjustment) for LP-Gas are shown as follows:



WARNING
 DO NOT EXCEED 27.5" W.C. (1 psi) INLET PRESSURE TO HEATER.

VENTILATION



WARNING
 THIS APPLIANCE IS UNVENTED AND MUST BE USED ONLY IN A WELL VENTILATED AREA.

The flow of combustion and ventilation air must not be obstructed. DO NOT use in a tightly enclosed area. Any combustion process requires and consumes oxygen, and may produce carbon monoxide. This heater must be operated with adequate ventilation. Two openings directly to the outdoors must be provided, one low and one high, preferably on opposite sides of the area to be heated. Each of these openings must provide at least three square inches of combustion air-intake area and exhaust outlet area for every 1000 BTUs per hour of heater input rate in order to complete the combustion/ventilation process. Provide additional ventilation for any additional fuel-burning appliances and/or additional occupants.


CLEARANCE (Minimum clearances to combustible materials)

MODEL NO.	BTU/HR RATING TYPE GAS		NORMAL OPERATING POSTION	CLEARANCES TO COMBUSTIBLES			
	NATURAL	LP & NG		TOP	SIDES	BACK	FRONT
35LP		35,000*	VERTICAL	40"	40"	0"	54"

*Tank size and tank temperature can directly affect BTU output

CONTENTS

Installation Instructions 3
 Location 3
 Piping 3
 Operating Instructions 4
 Lighting and Shut Down 4
 Maintenance Instructions 5
 Replacement Parts List 6
 Service and Parts Ordering Information 8




FOR YOUR SAFETY
 Do not use this heater in a space where gasoline or other liquids having flammable vapors are stored or used.

The heater is designed and approved for use as a construction heater under ANSI Z83.7 / CGA 2.14 - 2000

We cannot anticipate every use which may be made of our heaters. CHECK WITH YOUR LOCAL FIRE SAFETY AUTHORITY IF YOU HAVE QUESTIONS ABOUT APPLICATIONS.

Other standards govern the use of fuel gases and heat producing products in specific applications. Your local authority can advise you about these.

This appliance is intended to be used primarily for the heating of buildings under construction, alteration or repair.



THE STATE OF CALIFORNIA REQUIRES THE FOLLOWING WARNING:
WARNING
 Combustion by-products produced when using this product contain carbon monoxide, a chemical known to the State of California to cause cancer and birth defects (or other reproductive harm).

GENERAL INFORMATION

- A. Your portable gas-fired infra-red heater comes fully assembled and is tested at the factory for proper gas and input as stated on the nameplate.
- B. Each heater is equipped with a 100% safety shutoff, push button valve which will automatically stop the flow of gas in the event the heater fails to operate for any reason. A tip over switch and an excess flow check are also standard on the model 35LP.
- C. Before proceeding with this installation, be sure to inspect for damages. The freight company must be notified of any damages and request that an inspection be made. Enerco Technical Products will send replacements for damaged parts only after receiving a signed inspection report to prove the liability of the freight company.

FOR SAFE OPERATION

- A. **READ THESE INSTRUCTIONS CAREFULLY. Read and adhere to these instructions. DO NOT allow anyone who has not read these instructions to assemble, light, adjust or operate this heater.**
- B. **LP-Gas IS HIGHLY FLAMMABLE.** In the event of a leak, LP-Gas will accumulate and the possibility of a fire is present. LP-Gas is scented and its strong odor is readily detectable. Never strike a match, bring any flame or create an electric spark in an enclosure when you smell LP-Gas. Ventilate the area thoroughly, move the heater outside, and correct the source of the leak before attempting to light any appliance.
- C. Always operate the heater with the LP-Gas cylinder in an upright position on a level non-combustible surface. **NEVER PLACE THE CYLINDER ON ITS SIDE WHEN OPERATING THE HEATER.**
- D. **DO NOT attempt to operate the heater with any gas other than that indicated on the heater nameplate.**

INSTALLATION INSTRUCTIONS

GENERAL

For the U.S. and/or Canada, the installation of this appliance must comply with local and/or Provincial codes or, in the absence of these codes,

- With the (U.S.) National Fuel Gas Code, ANSI Z223.1 – Latest Edition, AND with the (U.S.) Standard for the Storage and Handling of Liquefied Petroleum Gases, ANSI/NFPA 58, OR
- With the current (Canadian) CAN/CGA B149.1 AND B149.2 INSTALLATION CODES.

This heater (including hose and regulator assembly) must be inspected before each use and at least annually by a qualified service person. If the hose for Model 35LP shows evidence of excessive abrasion or wear, or if the hose is cut, it must be replaced prior to the heater being put into operation. The replacement hose assembly shall be that specified by the manufacturer. See the parts list.

The minimum ambient temperature rating for this heater is 20 degrees F.

This heater incorporates a “Tip Over” switch which automatically shuts off the burner in the event of tipping. Ensure that this switch is in the vertical position and is secured with the screws provided (see Fig. 4). **DO NOT operate this heater with the LP-gas supply cylinder in any other than the upright position.**

LOCATION

Although this heater incorporates a “tip over” switch, the heater and LP-Gas supply cylinder must be located on a hard, flat, level surface to minimize the risk of accidental tipping. The LP Gas supply cylinder should be adequately restrained to prevent accidental tipping. **DO NOT OPERATE this heater with the supply cylinder in any other than the upright position.**

This appliance must be installed only in locations where the potential for physical damage to the appliance (i.e., due to physical contact) is reduced to a minimum.

The installer must inform the owner/operator of this appliance that precautions must be taken to protect the appliance from physical damage.

This appliance produces radiant heat. Therefore, it must be located at least six feet away from any LP-Gas container and must not be directed toward any LP-Gas container within 20 feet.

The heater must be installed in a location such that it will not be exposed directly to water spray, rain, and/or dripping water.

Use of this heater in a draft/windy area may decrease its efficiency. If possible, operate the unit in a draft free area or turn the face of the heater away from the draft.

PIPING:

For Model 35LP (for use with LP-Gas)

This model may be connected to a self-contained LP-Gas supply system using the hose and regulator assembly supplied with the appliance, OR, it may be connected to a permanently installed LP-Gas supply system.

If connected to a self-contained LP-Gas supply system, the hose assembly must be inspected prior to each use of the heater. If it is evident that there is excessive abrasion or wear, or the hose is cut, it must be replaced prior to the heater being put into operation.

If connected to a self-contained LP-Gas supply system, the cylinder must have no less than a minimum capacity of 20 pounds and no more than a maximum capacity of 100 pounds of LP-Gas. DO NOT connect this appliance to a cylinder having less than a nominal 20 pound capacity of LP-Gas. DO NOT connect this appliance to more than one (1) 100 pound cylinder.



NEVER USE A FORK LIFT TRUCK TYPE CYLINDER.

The connection of Model 35LP to an LP-Gas cylinder must be made in a well ventilated area using the regulator and hose assembly supplied with the appliance. DO NOT attempt to adjust this regulator. It has been preset at the factory to provide safe and proper operation of the appliance. Use a 7/8" open end wrench to connect the POL fitting (supplied with the LP regulator) to the LP-Gas cylinder. Turn the POL nut in a counter-clockwise direction (left hand thread) until tight. DO NOT use pipe compound on POL threads.

The heater must be located at least six feet away from any LP-Gas cylinder and must not be directed toward any LP-Gas cylinder within 20 feet. If more than one heater is used, they and the supply cylinders must be separated by at least 20 feet.

The gas supply must be turned off at the LP-Gas supply cylinder when the heater is not in use.

When the heater is to be stored indoors, the connection between the LP-Gas supply cylinder and the heater must be disconnected and the cylinder removed from the heater and stored in accordance with Chapter 5 of the Standard for the Storage and Handling of Liquefied Petroleum Gases, ANSI/NF-PA 58 (U.S.), OR CAN/CGA B149.2 (Canada).

If connected to a permanently installed LP Gas supply system, the system requires the use of a two-stage gas regulator assembly which is normally provided by your LP-Gas dealer as part of the LP-Gas supply system. Consult with your local LP-Gas dealer for details concerning proper equipment and installation.

Piping must be clean and free from scale or burr.

Before attempting to ignite the appliance, all gas fittings and connections must be thoroughly checked for gas leaks. Apply a small amount of a mild soap and water solution to all fittings and connections and observe for escaping bubbles. If any leaks are detected, shut off the gas supply to the appliance immediately. Wait a minimum of five minutes, repair the leak(s) and retest for leakage. Dry all fittings and connections after leak testing.



WARNING

NEVER USE A FLAME FOR GAS LEAK TESTING.

OPERATING INSTRUCTIONS



WARNING: IF YOU DO NOT FOLLOW THESE INSTRUCTION EXACTLY, A FIRE OREXPLOSION MAY RESULT CAUSING PROPERTY DAMAGE, PERSONAL INJURY, OR LOSS OF LIFE.



CAUTION

THIS APPLIANCE IS HOT DURING NORMAL OPERATION. AVOID PHYSICAL CONTACT.



CAUTION

DO NOT PLACE CLOTHING OR OTHER COMBUSTIBLE MATERIALS ON THIS APPLIANCE.

DO NOT operate this heater if any part has been under water. Call a qualified service technician to inspect the appliance and to replace any part of the control system or gas control valve which has been under water.

This appliance must be installed and operated only in locations where the potential for physical damage to the appliance is reduced to a minimum. The owner/operator of this appliance must ensure that precautions are taken to protect the appliance from physical damage.

LIGHTING AND SHUT-DOWN

Lighting the Heater:

1. Before attempting to light the heater, smell all around the heater area for gas. Be sure to smell next to the floor because LP-Gas is heavier than air and will settle on the floor. Turn on the gas supply to the appliance and check all fittings and connections for gas leaks using a mild soap and water solution. NEVER use a match to check for gas leaks. Should a gas leak occur, shut off the gas supply to the appliance immediately. Wait a minimum of five minutes before repairing the leak.
2. Use only the fuel intended for this appliance. Check the appliance rating plate for the correct fuel information.
3. Turn off the main gas supply to the appliance. Wait five minutes.
4. Turn on the main gas supply.
5. Depress red spark ignition button repeatedly or with a lighted match held to the burner face, depress and hold the reset button on the safety valve. After the burner ignites, hold the reset button depressed for about one minute or until the burner stays lit when the reset button is released. **DO NOT light the gas at the burner orifice. DO NOT face heater when attempting to light. Always stand to the side of the unit when lighting.**

NOTE: In cases where long runs of gas supply lines have been installed ahead of the appliance, it may be necessary to bleed trapped air out of the supply lines before lighting the burner. New installations generally require bleeding of supply lines. Wait a minimum of five minutes after bleeding the supply lines before attempting to light the heater.

6. **IMPORTANT: DO NOT attempt to adjust the main burner input using the main gas supply valve,** for this may cause the thermocouple to shut down the burner.

Shut-down instructions:

To turn the heater OFF:

1. Close the LP-Gas supply cylinder valve.
2. Observe the burner until flame is extinguished.
3. Listen for closure of the safety valve.
4. **IMPORTANT: DO NOT re-open the LP-Gas supply cylinder valve before the safety valve closes.**

MAINTENANCE INSTRUCTIONS

This heater (including hose and regulator assembly) must be inspected before each use. If the hose for Model 35LP shows evidence of excessive abrasion or wear, or if the hose is cut, it must be replaced prior to the heater being put into operation. The replacement hose assembly shall be that specified by the manufacturer. See the parts list.

The appliance area must be kept free and clear of combustible materials, gasoline and other flammable vapors and liquids at all times.

The flow of combustion and ventilation air must not be obstructed.

Cleaning the heater:

Periodically, the heater must be cleaned of all dirt and dust particles.



DANGER

DO NOT ATTEMPT TO CLEAN THE HEATER WHILE IT IS OPERATING OR WHILE IT IS STILL HOT.

- Turn the heater off and wait until it has completely cooled (at least 20 minutes) before cleaning.
- Clean the outside of the heater using a damp cloth. DO NOT clean the heater by spraying water on it. Wipe the outside of the heater off with a dry cloth after cleaning.
- Clean the inside of the heater using compressed air. Blow air back and forth along the entire burner face until all dust has been dislodged from the surface of the reverberator and grid screen. Blow through venturi from the control end of the heater.
- Clean the orifice of each burner with a #55 drill bit (for LP-Gas).
- Clean the thermocouple lead.

DO NOT operate this heater if any part has been under water. Call a qualified service person to inspect the appliance and to replace any part of the control system or gas control valve which has been under water.

This heater must be inspected at least annually by a qualified service person.

TROUBLESHOOTING INFORMATION: (Model 35LP)

If burner lights, but goes out when button is released.

CHECK

- Loose wires on tipover switch. (see Fig. 4)
- Loose lead wire and repair wires if necessary.
- Loose thermocouple and tighten if necessary. Make sure T/C is located correctly between the reverberator and grid.
- Defective thermocouple. Replace if necessary.
- Defective control. Replace if necessary.
- Defective tip over switch. Replace if necessary.

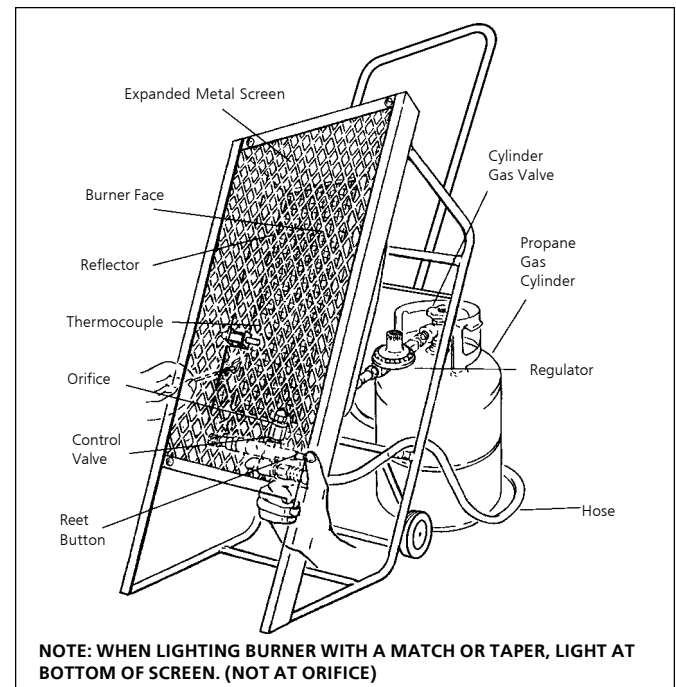


Figure 3

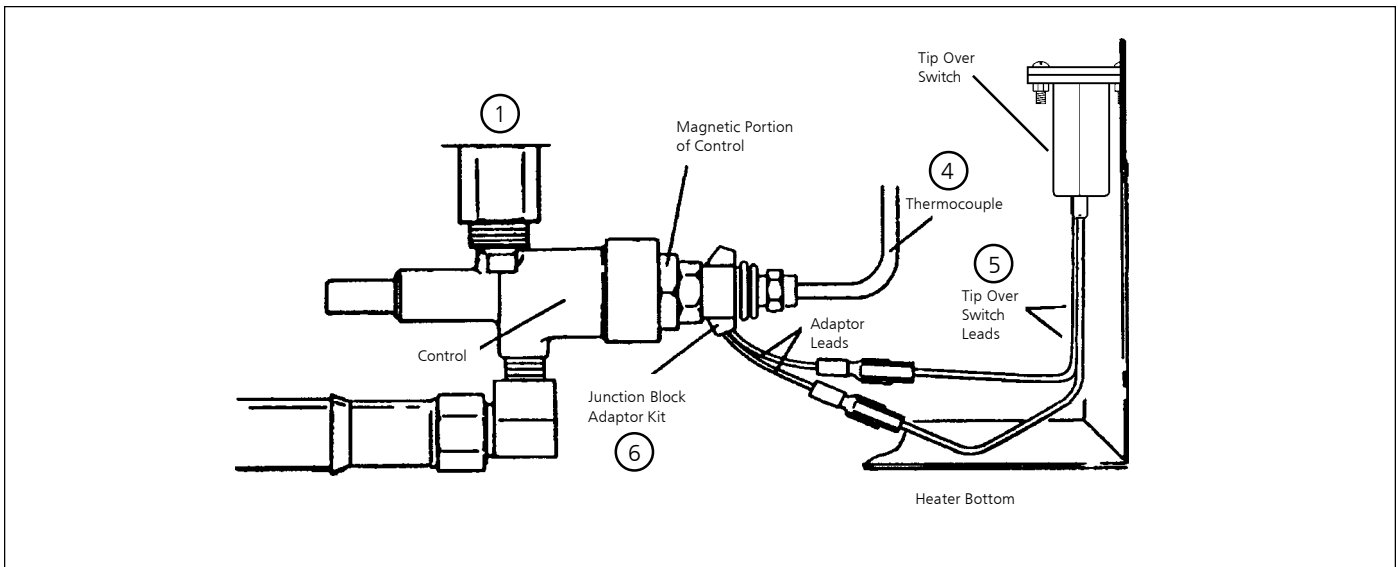


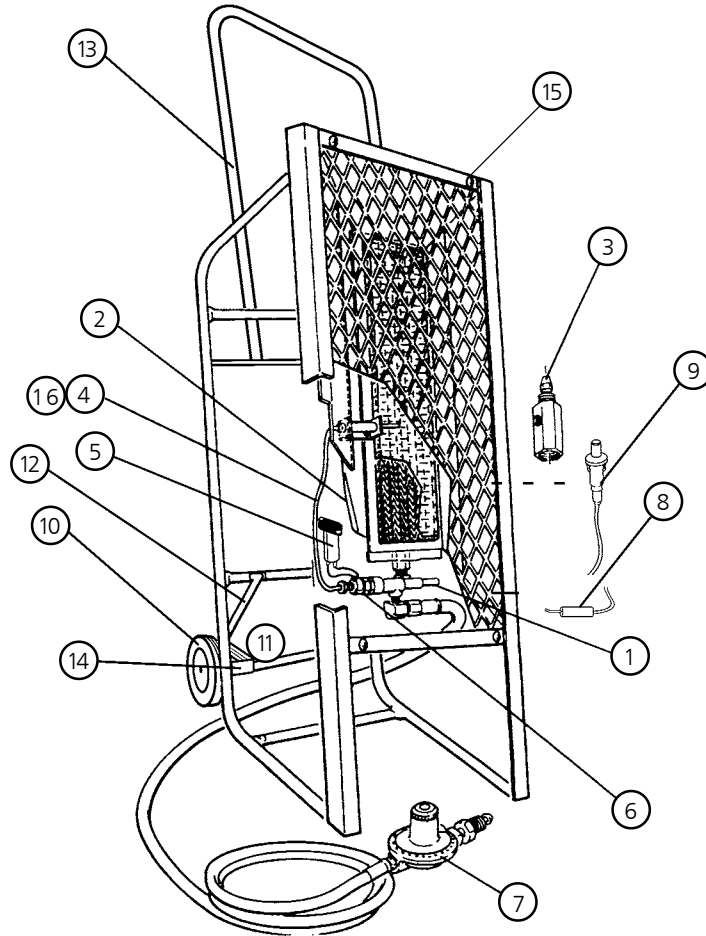
Figure 4

Tip-Over Switch Arrangement

NOTE: The purpose of the tip-over Switch is to stop the flow of gas when heater is accidentally knocked over. When and if the heater is knocked over, simply stand heater up.

REPLACEMENT PARTS LIST

REF. #	ITEM#	DESCRIPTION
1	23525	CONT M-N SS PORT 3/8MPXI/4MP
2	23526	BURNR/LTFR PORTABLES/D1096
3	23527	ORIFICE/BURNER #55 DRILL
4	23513	THERMOCOUPLE ASSY/18"
5	23529	TIP-OVER SWITCH 6" LEAD(PORT)
6	23530	JUNCTION BLK ADPTR KIT/TIPSW
7	11663	REC.L/P 21" WC OUT
8	23531	IGNITOR, MODEL#35
9	20735	PIEZO, MODEL#35
10	23532	WHEEL, MODEL#35
11	23533	AXLE, MODEL#35
12	23534	AXLE BRACKETS, MODEL#35
13	23517	HANDLE
14	23536	WHEEL LOC
15	70722	MAIN FRAME LOWER ASSEMBLY
16	14504	THERMOCOUPLE BRACKET



IF SERVICE IS REQUIRED

PLEASE DO NOT RETURN THIS APPLIANCE TO YOUR STORE

For information regarding service, please call our Toll-Free Number: 1-800-251-0001.

Our office hours are 8:30 AM to 5:00 PM, Eastern Time Zone, Monday through Friday

Please include the model number, date of purchase and description of problem in all communication.

OPERATING INSTRUCTIONS AND OWNER'S MANUAL

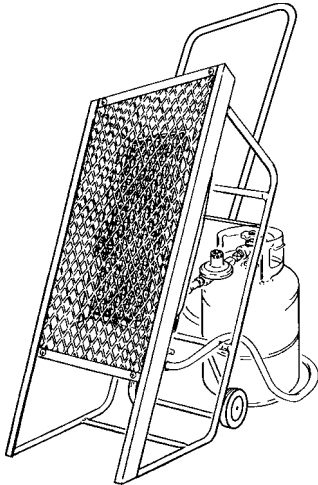
MR. HEATER

MODEL
MH35LP

READ INSTRUCTIONS CAREFULLY: Read and follow all instructions. Place instructions in a safe place for future reference. Do not allow anyone who has not read these instructions to assemble, light, adjust or operate the heater.

HEATSTAR

MODEL
HS35LP



WARNING:

USE ONLY MANUFACTURER'S REPLACEMENT PARTS. USE OF ANY OTHER PARTS COULD CAUSE INJURY OR DEATH. REPLACEMENT PARTS ARE ONLY AVAILABLE DIRECT FROM THE FACTORY AND MUST BE INSTALLED BY A QUALIFIED SERVICE AGENCY.

PARTS ORDERING INFORMATION:

PURCHASING: Accessories may be purchased at any Mr. Heater /HeatStar local dealer or direct from the factory

FOR INFORMATION REGARDING SERVICE

Please call Toll-Free 800-251-0001

www.mrheater.com • www.enerco.com

Our office hours are 8:30 AM – 5:00 PM, EST, Monday through Friday.

Please include the model number, date of purchase, and description of problem in all communication.

WARRANTY

MR. HEATER warrants that Infra Red Heaters manufactured and sold will be free from defects in material and workmanship.

Parts assemblies, controls, etc. furnished by Enerco Group, Inc. will carry a one (1) year warranty on the applicable warranties of the suppliers.

The sole responsibility of Enerco Group, Inc. under this warranty shall be to replace or repair any part for which a written claim is made to Enerco Technical Products within the time limit of this warranty which is returned upon request to Enerco Group, Inc. – F.O.B. Cleveland, Ohio – or F.O.B. any Enerco Technical Products authorized service facility and which is proved to be defective upon inspection by Enerco Technical Products.

This warranty shall not apply to any part or product which has been subjected to misuse or neglect, damaged by accident, or rendered defective by reason of improper installation.

THIS WARRANTY IS IN LIEU OF ANY AND ALL OTHER WARRANTIES, EXPRESSED OR IMPLIED, and of any other responsibility of Enerco Technical Products for parts or products sold by Enerco Technical Products, including consequential or special damages.

Enerco Group, Inc. reserves the right to make changes at any time, without notice or obligation, in colors, specifications, accessories, materials and models.



ANSI Z83.7/CGA 2.14-2000

ENERCO GROUP, INC., 4560 W. 160TH ST., CLEVELAND, OHIO 44135 • 216-916-3026

Enerco and Mr. Heater are registered trademarks of Enerco Group, Inc.

© 2004, Enerco Group, Inc. All rights reserved

MANUEL DE L'UTILISATEUR ET INSTRUCTIONS D'UTILISATION

MR. HEATER

N° de modèles

MH35LP

REMARQUE : lisez et suivez les instructions d'utilisation. Rangez le manuel de l'utilisateur dans un endroit sûr aux fins de référence ultérieure. NE LAISSEZ PERSONNE qui n'a pas lu le manuel de l'utilisateur tenter de monter, de mettre en marche, de régler ou de faire fonctionner l'appareil de chauffage.

N° de modèles

HS35LP

HEATSTAR

MISE EN GARDE

UTILISEZ SEULEMENT LES PIÈCES DE REMPLACEMENT DU FABRICANT. L'UTILISATION D'AUTRES PIÈCES PEUT CAUSER DES BLESSURES OU LA MORT. LES PIÈCES DE REMPLACEMENT SONT UNIQUEMENT DISPONIBLES AUPRÈS DE L'USINE ET DOIVENT ÊTRE INSTALLÉES PAR UN TECHNICIEN QUALIFIÉ.

COMMANDE DE PIÈCES

ACHAT : Des accessoires peuvent être achetés chez Enerco Group, Inc. ou un détaillant local Enerco, ou directement de l'usine.

INFORMATION SUR LE SERVICE

Veillez composer le numéro sans frais suivant : (800) 251-0001
www.mrheater.com • www.enerco.com

Nos heures d'ouverture sont de 8 h 30 à 17 h, heure de l'est, du lundi au vendredi!

Veillez fournir le numéro du modèle, la date d'achat et la description du problème lorsque vous communiquez avec notre service.

GARANTIE

Enerco Group, Inc. garantit que ses appareils de chauffage à infrarouge ne comportent aucun défaut lié aux pièces ou à la main d'œuvre.

Les ensembles de pièces, les pièces de contrôle, etc. fournis par Enerco Group, Inc. sont couverts par une garantie d'un (1) an sur les garanties applicables des fournisseurs.

L'unique responsabilité de Enerco Group, Inc. conformément à la présente garantie est de remplacer ou de réparer toute pièce défectueuse pour laquelle une réclamation a été écrite à l'attention de Enerco Group, Inc. et après que Enerco Group, Inc. a confirmé sa défectuosité et ce, dans la période de temps stipulée par la garantie, laquelle doit être retournée sur demande à Enerco Group, Inc. - par franco à bord à Cleveland, Ohio - ou franco à bord à toute installation de service autorisée Enerco Group, Inc..

La présente garantie ne s'applique pas si une pièce ou un produit a fait l'objet d'une mauvaise manipulation ou de négligence, a été endommagé à la suite d'un accident ou d'une mauvaise installation. LA PRÉSENTE GARANTIE REMPLACE TOUTE AUTRE GARANTIE, EXPLICITE OU IMPLICITE, ainsi que toute autre responsabilité de MR. HEATER concernant les pièces ou les produits vendus par Enerco Group, Inc., notamment les dommages indirects ou spéciaux.

Enerco Group, Inc. se réserve le droit d'apporter des modifications à tout moment, sans préavis ou obligation, concernant les couleurs, les spécifications, les accessoires, les matériaux et les modèles.



ANSI Z83.7/CGA 2.14-2000

ENERCO GROUP, INC., 4560 W. 160TH ST., CLEVELAND, OHIO 44135 • (216) 916-3026 Enerco et Mr. Heater sont des marques déposées d'Enerco Group, Inc. © 2003, Enerco Group, Inc., All rights reserved.

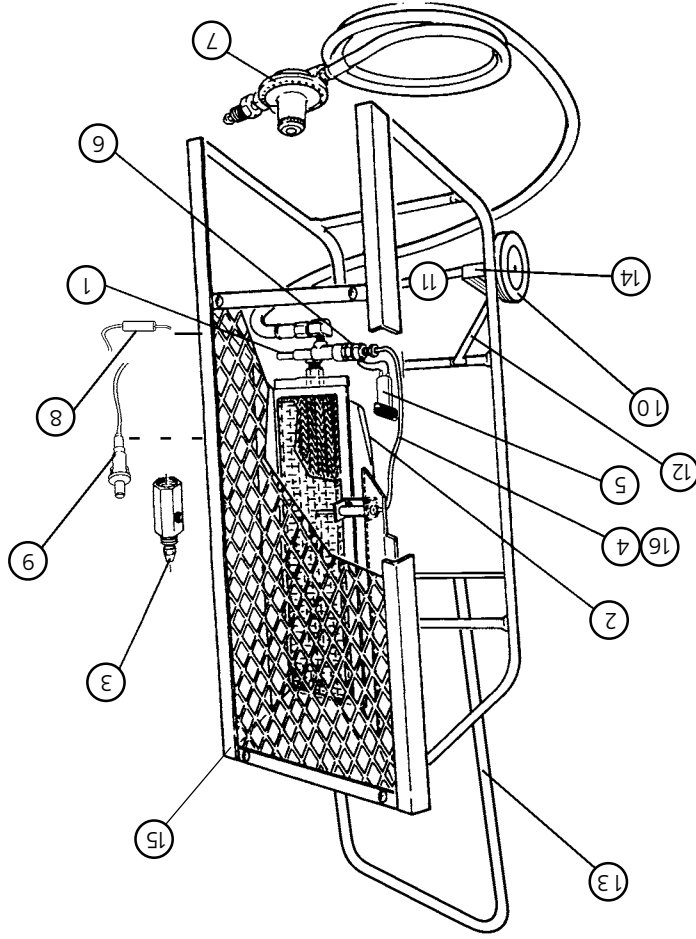
SERVICE À LA CLIENTÈLE

N'ENVOYEZ PAS LE PRÉSENT APPAREIL DE CHAUFFAGE À VOTRE MAGASIN

Pour obtenir de plus amples informations sur le service à la clientèle, veuillez composer notre numéro sans frais : (800) 251-0001.

Nos heures d'ouverture sont de 8 h 30 à 17 h, heure de l'Est, du lundi au vendredi.

Veillez fournir le numéro du modèle, la date d'achat et la description du problème lorsque vous communiquez avec notre service.



N° RÉF. N° Article	DESCRIPTION
1	VALVE DE CONTRÔLE, ARRÊT D'URGENCE MANUEL, PORTATIF 3/8MPXI/4MP
2	BRÛLEUR/CADRE LÉGER/D1096
3	ORIFICE/MÛCHE POUR BRÛLEUR N° 55
4	ENSEMBLE THERMOCOUPLE/18 PO
5	FIL DE 6 PO DE L'INTERRUPTEUR DE BASCULE (PORT)
6	JOINT D'ADAPTEUR/INTERRUPTEUR DE BASCULE
7	RÉGULATEUR DE GAZ - PRESSION D'ADMISSION DE 21 PO D'EAU
8	ALLUMEUR, MODÈLE N° 35
9	PIEZO, MODÈLE N° 35
10	ROUE, MODÈLE N° 35
11	ESSIEU, MODÈLE N° 35
12	TIGE DE L'ESSIEU, MODÈLE N° 35
13	POIGNÉE
14	BARRE DE VERROUILLAGE DES ROUES
15	MAIN FRAME LOWER ASSEMBLY
16	PARENTHÈSE DE THERMOCOUPLE

LISTE DES PIÈCES DE REMPLACEMENT

Interrupteur de bascule

REMARQUE : L'interrupteur de bascule sert à bloquer automatiquement l'alimentation en gaz si l'appareil bascule ou est renversé accidentellement. Si l'appareil est renversé, veuillez simplement le remettre en position verticale.

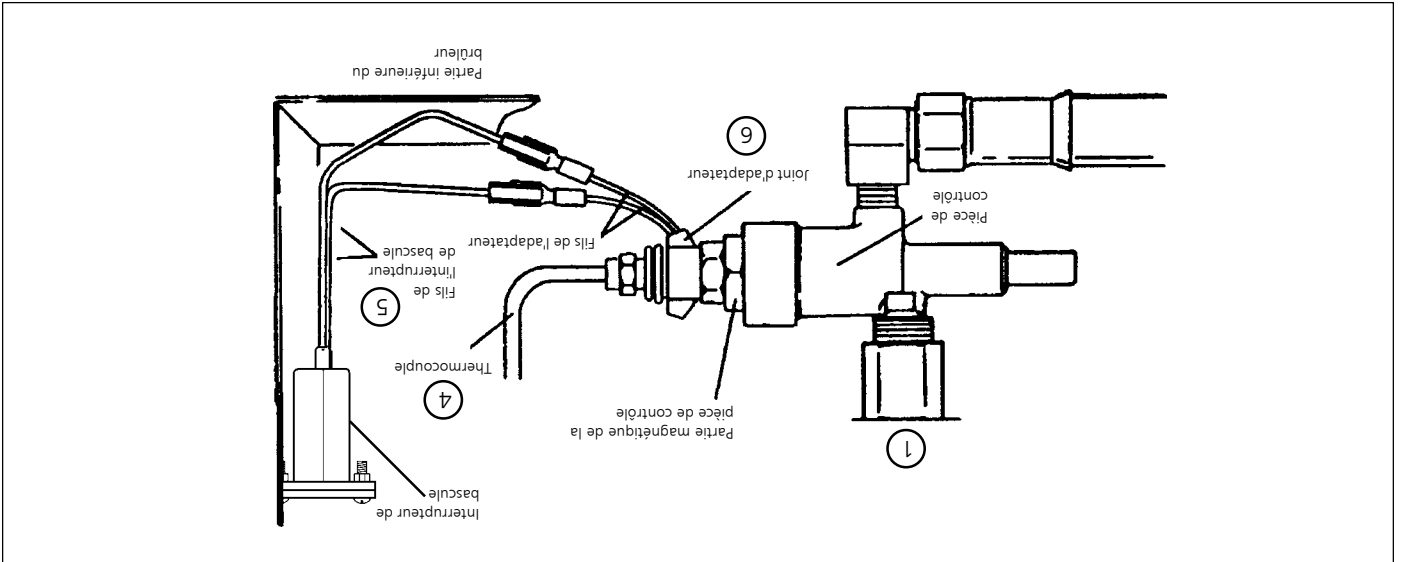


Figure 4

- Éteignez l'appareil et attendez qu'il soit entièrement refroidi (attendre au moins 20 minutes) avant de le nettoyer.
 - Nettoyez l'extérieur de l'appareil à l'aide d'un chiffon humide. NE NETTOYEZ PAS l'appareil de chauffage en y vaporisant de l'eau. Essayez ensuite l'extérieur avec un chiffon sec.
 - Nettoyez l'intérieur de l'appareil en utilisant de l'air comprimé. Soufflez de l'air dans l'orifice du brûleur jusqu'à ce que toute saleté soit délogée de la surface de la pièce réverbérante et de l'écran grillagé. Soufflez également de l'air dans le diffuseur à partir de l'embout de contrôle du brûleur.
 - Nettoyez l'orifice de chaque brûleur à l'aide d'une mèche n° 55 (pour gaz propane liquide).
 - Nettoyez le fil du thermocouple.
- N'UTILISEZ PAS l'appareil si l'un de ses composants a été en contact avec de l'eau.** Faites appel à un technicien qualifié pour procéder à une vérification de l'appareil et remplacer toute pièce du système de contrôle ou de la valve ayant été en contact avec de l'eau.
- L'appareil de chauffage doit être inspecté au moins une fois par année par une personne qualifiée.

! DANGER

NE TENTEZ PAS DE NETTOYER L'APPAREIL DE CHAUFFAGE LORSQUE CELUI-CI EST EN MARCHÉ OU ENCORE CHAUD.

L'appareil de chauffage doit être nettoyé régulièrement afin d'enlever toute particule de poussière et de saleté.

Nettoyage

La circulation d'air et le flux de combustion ne doivent pas être ralentis.

inflammables.

L'espace environnant de l'appareil doit toujours être dépourvu de combustibles, d'essence ou de vapeurs ou de liquides.

Le présent appareil de chauffage (y compris la tuyauterie et l'ensemble de régulation) doit être inspecté avant chaque utilisation. Si le tuyau du modèle MH35LP/HS35LP montre des signes d'usure excessive, ou s'il est coupé, il doit être remplacé avant que l'appareil de chauffage ne soit mis en marche. La tuyauterie de remplacement doit avoir été approuvée par le fabricant. Voir la liste des pièces.

ENTRETIEN

1. Fermez la valve d'alimentation de la bonbonne de gaz.
2. Observez le brûleur jusqu'à ce que la flamme s'éteigne.
3. Soyez attentif au bruit provoqué par la fermeture de la valve de sécurité.
4. **IMPORTANT : ATTENDEZ que la valve de sécurité se ferme avant d'ouvrir à nouveau la valve de la bonbonne de gaz.**

Pour éteindre l'appareil de chauffage :

Instructions d'arrêt

DÉPANNAGE (Modèle 35LP)

Le brûleur s'allume, mais s'éteint lorsque le bouton est relâché.

VÉRIFIEZ SI :

- Les fils branchés à l'interrupteur de bascule sont bien fixés. (voir fig. 4)
- Tous les fils sont bien fixés.
- Le thermocouple est bien fixé.
- Assurez-vous que le thermocouple est correctement mis en place entre la pièce réverbérante et la grille.
- Le thermocouple fonctionne correctement.
- Remplacez-le si nécessaire.
- La pièce de contrôle du gaz fonctionne bien.
- Remplacez-la si nécessaire.
- L'interrupteur de bascule fonctionne bien.
- Remplacez-le si nécessaire.

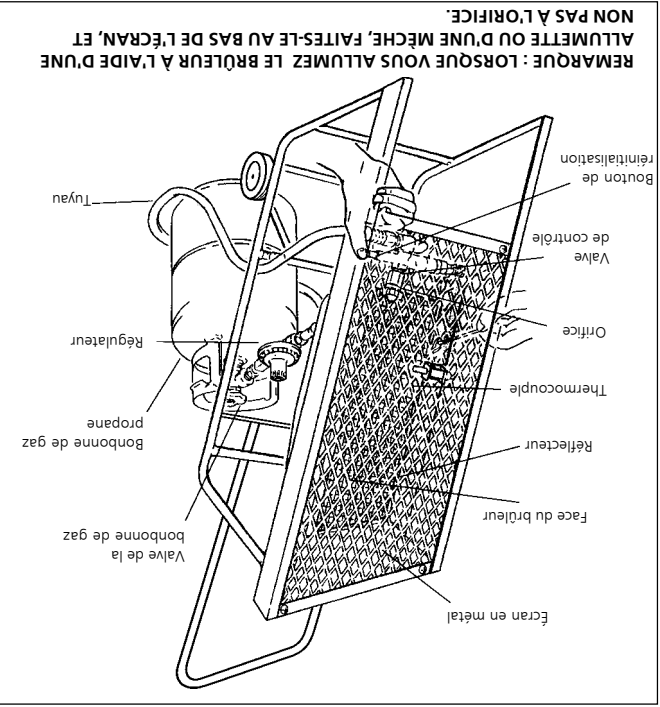


Figure 3

AVERTISSEMENT

NE DÉPOSEZ PAS DE VÊTEMENT OU AUTRE MATÉRIAU COMBUSTIBLE SUR L'APPAREIL DE CHAUFFAGE.

N'UTILISEZ PAS l'appareil si l'un de ses composants a été en contact avec de l'eau. Faites appel à un technicien qualifié pour procéder à une vérification de l'appareil et remplacer toute pièce du système de contrôle ou de la valve ayant été en contact avec de l'eau.

Le présent appareil de chauffage doit être installé seulement dans des endroits où le potentiel de dommages physiques à l'appareil est réduit au minimum. Le propriétaire/utilisateur doit s'assurer que les précautions nécessaires sont prises afin de protéger l'appareil contre d'éventuels dommages physiques.

ALLUMAGE ET ARRÊT**Allumage de l'appareil**

1. Avant d'allumer l'appareil, assurez-vous qu'il n'y a pas d'odeur de gaz autour de l'appareil. Étant donné que le gaz propane liquide est plus lourd que l'air, il est important de sentir au niveau du sol. Alimenter l'appareil en gaz et inspectez les joints pour détecter toute fuite de gaz à l'aide d'eau savonneuse. N'UTILISEZ JAMAIS une flamme nue pour détecter une fuite. En cas de fuite, couper immédiatement l'alimentation en gaz à l'appareil. Attendez au moins 5 minutes avant de colmater la fuite.

2. Utilisez seulement le type de combustible prévu pour le présent appareil de chauffage. Consultez la plaque signalétique pour obtenir des informations sur le type de combustible à utiliser.

3. Coupez l'alimentation principale à l'appareil. Attendez 5 minutes.

4. Ouvrez l'alimentation de gaz principale.

5. Appuyez sur le bouton de réinitialisation et maintenez-le enfoncé tout en approchant une allumette allumée du brûleur. Une fois le brûleur allumé, maintenez le bouton de réinitialisation enfoncé pendant environ une minute ou jusqu'à ce que le brûleur reste allumé lorsque le bouton de réinitialisation est relâché. **NE METTEZ PAS le feu au gaz à l'orifice du brûleur. NE FAITES PAS face à la partie frontale de l'appareil au moment de l'allumage, tenez-vous toujours à côté de celui-ci.**

REMARQUE : Si de longues conduites d'alimentation en gaz ont été installées en avant de l'appareil de chauffage, vous devrez peut-être enlever l'air de ces conduites avant d'allumer le brûleur. On doit habituellement enlever l'air des conduites d'alimentation des nouvelles installations. Après voir enlevé l'air des conduites d'alimentation, attendez au moins 5 minutes avant d'essayer d'allumer le brûleur.

6. **IMPORTANT : N'ESSAYEZ PAS de régler l'admission en gaz du brûleur principal à l'aide de la valve d'alimentation principale, car le thermocouple pourrait fermer le brûleur.**

Le branchement du modèle MH35LP/HS35LP à une bonne de propane liquide doit être effectué dans un endroit bien aéré à l'aide de la tuyauterie et l'ensemble de régulation fournis avec l'appareil. N'ESSAYEZ PAS de régler ce régulateur. Celui-ci a été réglé en usine afin d'assurer un fonctionnement adéquat et sécuritaire de l'appareil. Utilisez une clé à fourche 7/8 po pour bancher la pièce de fixation de gauche (fournie avec le régulateur à gaz) à la bonne de gaz. Vissez l'érou de gauche en sens anti-horaire (filetage à gauche). N'UTILISEZ PAS de mastic pour joints de tuyaux sur le filetage de gauche.

L'appareil de chauffage doit être placé à au moins six pieds d'une bonne de gaz et ne doit pas faire face à une bonne de gaz à moins de 20 pieds. Si plusieurs appareils de chauffage sont utilisés, ces derniers ainsi que les bonnes doivent être séparés par une distance d'au moins 20 pieds.

Lorsque l'appareil de chauffage n'est pas utilisé, l'alimentation en gaz doit être coupée à la source, c'est-à-dire à la bonne de gaz.

Si l'appareil de chauffage doit être entreposé à l'intérieur, le tuyau entre la bonne de gaz et l'appareil doit être débranché, et la bonne enlevée de l'appareil de chauffage et entreposée de la façon indiquée au chapitre 5 de la norme d'entreposage et de manipulation des gaz liquéfiés (Standard for the Storage and Handling of Liquefied Petroleum Gases), ANSI/NFPA 58 (É.-U.), OU CAN/CGA B149.2 (Canada).

Si branché à un système d'alimentation de gaz installé de façon permanente, le système requiert l'utilisation d'un ensemble de régulation à deux phases habituellement fourni par votre fournisseur de gaz dans un système d'alimentation de gaz. Pour obtenir de plus amples informations sur les instructions d'installation et l'équipement appropriés, veuillez vous renseigner auprès de votre fournisseur de gaz local.

La tuyauterie doit être maintenue propre et ne doit pas être sale de bavure de mortier ou présenter des dépôts calcaires.

Avant d'allumer l'appareil, veuillez vous assurer que les pièces de fixations et les joints sont bien fixés afin de prévenir des fuites éventuelles. Pour détecter des fuites, appliquez une petite quantité d'eau savonneuse sur tous les joints; des bulles se formeront en présence de fuite. Dans un tel cas, couper immédiatement l'alimentation en gaz. Attendez au moins 5 minutes, réparez la fuite et faites une autre vérification. Faites sécher les joints après la vérification.

MISE EN GARDE

N'UTILISEZ JAMAIS UNE FLAMME NUE POUR PROCÉDER À LA VÉRIFICATION D'UNE FUITE COLMATÉE.

INSTRUCTIONS D'UTILISATION**MISE EN GARDE**

SI VOUS NE RESPECTEZ PAS LES INSTRUCTIONS À LA LETTRE, UN INCENDIE OU UNE EXPLOSION PEUT S'ENSUIVRE ET CAUSER DES DOMMAGES DE BIENS, DES BLESSURES CORPORELLES OU LA MORT.

AVERTISSEMENT

LE PRÉSENT APPAREIL DEVIENT TRÈS CHAUD EN COURS D'UTILISATION. ÉVITEZ TOUT CONTACT PHYSIQUE.

INFORMATIONS GÉNÉRALES

- A. Votre appareil de chauffage portatif Enerco/MR, HEATER est livré entièrement assemblé. Il a été testé en usine avec la pression d'admission et le type de gaz appropriés, comme indiqué sur la plaque signalétique.
- B. Chaque appareil est muni d'une valve de sécurité à bouton pressoir qui permet d'arrêter totalement et automatiquement la circulation de gaz en cas de problème. Le modèle MH35LP/H35LP est également équipé d'un interrupteur de bascule et d'un indicateur de suralimentation.
- C. Avant de procéder à l'installation, veuillez vous assurer que l'appareil n'a subi aucun dommage. En cas de dommage, veuillez en informer la compagnie de transport et demander à ce qu'une vérification soit effectuée. Enerco/MR, HEATER fournira les pièces de remplacement seulement après avoir reçu un rapport de vérification écrit qui prouve la responsabilité de la compagnie de transport.

POUR UNE UTILISATION SÉCURITAIRE

- A. **VEUILLEZ LIRE ATTENTIVEMENT LES INSTRUCTIONS SUIVANTES. Lisez et suivez les instructions. NE LAISSEZ PERSONNE qui n'a pas lu le manuel de l'utilisateur tenter de monter, de mettre en marche, de régler ou de faire fonctionner l'appareil de chauffage.**
- B. **Le gaz propane liquéfié est HAUTEMENT INFLAMMABLE.** En cas de fuite, la quantité de gaz propane liquéfié dans l'air augmentera ainsi que les risques d'incendie. La forte odeur du gaz propane liquéfié est facilement détectable. N'allumez jamais une allumette, ne mettez jamais de flamme et ne créez jamais d'étincelle électrique en présence d'odeur de gaz propane liquéfié. Aérez bien l'endroit, sortez l'appareil à l'extérieur et colmatez la fuite avant de mettre tout appareil en marche.
- C. Faites toujours fonctionner l'appareil de chauffage avec la bonne position de gaz en position verticale sur une surface plane, au niveau et non combustible. **NE PLACEZ JAMAIS LA BONNE SUR LE CÔTÉ LORSQUE L'APPAREIL DE CHAUFFAGE EST EN MARCHÉ.**

- D. **N'ESSEYEZ JAMAIS de faire fonctionner l'appareil de chauffage avec un type de gaz autre que celui indiqué sur la plaque signalétique.**

INSTRUCTIONS D'INSTALLATION

GÉNÉRAL

Pour les É.-U. et le Canada, l'installation du présent appareil doit être conforme aux codes locaux et/ou provinciaux ou, dans l'absence de tels codes, au

- code national (É.-U.) de gaz inflammables (National Fuel Gas Code), ANSI Z223.1 - dernière édition, ET à la (É.-U.) norme sur l'entreposage et la manipulation de gaz liquéfiés (Standard for the Storage and Handling of Liquefied Petroleum Gases), ANSI/NFPA 58, OU
- aux CODES D'INSTALLATION (Canada) CAN/CGA B 149.1 ET B149.2

L'appareil de chauffage (y compris le tuyau et l'ensemble de régulation) doit être inspecté avant chaque utilisation et au moins une fois par année par une personne qualifiée. Si le tuyau du modèle MH35LP/H35LP montre des signes d'usure excessive, ou s'il est coupé, il doit être remplacé avant que l'appareil de chauffage ne soit mis en marche. La tuyauterie de remplacement doit avoir été approuvée par le fabricant. Voir la liste des pièces.

La température minimale ambiante pour utiliser le présent appareil est de 20 degrés Fahrenheit (-6 degrés Celsius).

L'appareil est muni d'un interrupteur « de bascule » qui coupe automatiquement l'alimentation en gaz si l'appareil bascule. Assurez-vous que cet interrupteur est en position verticale et est bien fixé avec les vis fournies (voir fig. 4). **N'UTILISEZ JAMAIS l'appareil de chauffage avec la bonne de gaz en une position autre que verticale.**

EMPLACEMENT

Même si l'appareil de chauffage est muni d'un interrupteur « de bascule », la bonne de gaz et l'appareil doivent être placés sur une surface dure, plane et au niveau afin de réduire les risques de bascule. La bonne de gaz doit être installée de façon sécuritaire afin d'empêcher qu'elle ne tombe. **N'UTILISEZ PAS l'appareil de chauffage avec la bonne de gaz en une position autre que verticale.**

Le présent appareil de chauffage doit être installé seulement dans des endroits où le potentiel de dommages physiques à l'appareil (p. ex. causés par un contact physique) est réduit au minimum.

L'installateur doit informer le propriétaire/l'utilisateur de l'appareil des précautions à prendre pour protéger l'appareil contre d'éventuels dommages physiques.

Le présent appareil de chauffage produit de la chaleur rayonnante. Il doit donc être placé à au moins six pieds d'une bonne de gaz et ne doit pas faire face à une bonne de gaz à moins de 20 pieds.

L'appareil ne doit pas être exposé directement à l'eau pulvérisée ou à la pluie.

L'efficacité de l'appareil peut être réduite si vous l'utilisez dans un endroit venteux. Dans la mesure du possible, installez l'appareil dans un endroit sans courant d'air ou dirigez-le en direction opposée au courant d'air.

TUYAUTERIE

Pour le modèle 35LP

Ce modèle peut être branché à un système d'alimentation autonome de gaz propane liquéfié à l'aide du tuyau et de l'ensemble de régulation fournis avec l'appareil. OU, il peut être branché à un système d'alimentation de gaz propane liquéfié installé de façon permanente.

Si branchée à un système d'alimentation autonome de gaz propane liquéfié, la tuyauterie doit être examinée avant chaque utilisation. Si le tuyau du modèle montre des signes d'usure excessive, ou s'il est coupé, il doit être remplacé avant que l'appareil de chauffage ne soit mis en marche.

Si branchée à un système d'alimentation autonome de gaz propane liquéfié, la bonne doit avoir une capacité de gaz propane liquéfié minimale et maximale de 20 et 100 livres respectivement. NE BRANCHEZ PAS l'appareil à une bonne ayant une capacité de gaz propane liquéfié nominale de 20 livres. NE BRANCHEZ PAS l'appareil à plus d'une bonne ayant une capacité de 100 livres.

MISE EN GARDE



N'UTILISEZ JAMAIS UNE BONNE DE TYPE CHARIOT ÉLÉVATEUR À FOURCHE

CONTENU

Instructions d'installation 3

Emplacement 3

Tuyauterie 3

Instructions d'utilisation 4

Allumage et arrêt 4

Entretien 5

Liste des pièces de remplacement 6

Service à la clientèle et commande de pièces 8

*La capacité et la température du réservoir peuvent varier directement sur la production de BTU

MODÈLE NO.	Taux BTU/heure	Type de gaz	Position normale de fonctionnement	Distances de dégagement autour des combustibles		
35LP	NATUREL	Gaz propane liquéfié et gaz naturel	VERTICALE	HAUT	CÔTÉS	AVANT
				40 po	40 po	54 po

DÉGAGEMENT (Distances de dégagement autour de matériaux combustibles)

La circulation d'air et le flux de combustion ne doivent pas être ralentis. N'UTILISEZ PAS l'appareil dans un endroit fermé. Tout processus de combustion requiert de l'oxygène et peut produire du monoxyde de carbone. L'appareil de chauffage doit être utilisé en présence d'une aération adéquate. L'endroit où l'appareil est mis en marche doit comporter deux ouvertures qui donnent directement vers l'extérieur, soit une basse et une haute, de préférence sur des côtés opposés de la pièce. Chacune de ces ouvertures doit permettre au moins 3 pouces carrés de prise et de sortie d'air pour chaque 1 000 BTU/heure consommé par l'appareil de chauffage afin de compléter le processus de combustion/ventilation. Veuillez assurer une meilleure ventilation si des appareils à combustible ou des personnes supplémentaires se trouvent dans la même pièce que l'appareil de chauffage.

MISE EN GARDE

LE PRÉSENT APPAREIL N'EST PAS VENTILÉ ET DOIT ÊTRE UTILISÉ SEULEMENT DANS UN ENDROIT BIEN AÉRÉ.

VENTILATION

MISE EN GARDE

L'ÉTAT DE CALIFORNIE ÉMET LA MISE EN GARDE SUIVANTE :

La combustion de sous-produits générée durant l'utilisation du produit présente un risque de cancer, un produit chimique qui, selon l'état de Californie, peut être cause de cancer et de malformations congénitales (ou autres anomalies liées au système reproducteur).

Le présent appareil est principalement destiné à chauffer les structures en construction ou en réparation.

Nous ne pouvons pas prévoir toutes les possibilités d'utilisation de nos appareils de chauffage. SI VOUS AVEZ DES QUESTIONS QUANT AUX DIFFÉRENTES UTILISATIONS POSSIBLES, VEUILLEZ COMMUNIQUER AVEC VOTRE SERVICE DES INCENDIES LOCAL.

Pour certaines applications, d'autres normes régissent l'utilisation de gaz combustibles et d'appareils de chauffage. Demandez à votre commission locale pour obtenir de plus amples informations à ce sujet.

CGA 2.14 - 2000

Le présent appareil est destiné à être utilisé comme appareil de chauffage sur les chantiers de construction conformément à la norme ANSI Z83.7 /

MESURES DE SÉCURITÉ

N'utilisez pas l'appareil de chauffage dans un endroit où de l'essence ou autres liquides qui dégagent des vapeurs inflammables sont entreposés ou utilisés.

SPÉCIFICATIONS

MODÈLE N° MH35LP
 HS35LP

TYPE DE GAZ.....Gaz propane liquéfié

PRESSION D'ADMISSION27.5 pouces d'eau (in. w.c.)

PRESSION D'ADMISSION MAXIMALE.....27.5 pouces d'eau (in. w.c.)

PRESSION D'ADMISSION MINIMALE.....27.5 pouces d'eau (in. w.c.)

PRESSION D'ADMISSION25.5 pouces d'eau (in. w.c.)

D'ADMISSION.....

N'excédez pas les pressions d'admission de gaz indiquées sur la plaque signalétique pour le modèle MH35LP. Les pressions d'admission maximale et minimale (pour le réglage de l'admission) pour le gaz propane liquéfié sont les suivantes :

MISE EN GARDE

N'EXCÉDEZ PAS 1 PSI (27.5 POUCES D'EAU) DE PRESSION À LA VALVE D'ADMISSION DU GAZ.

MISE EN GARDE LE PRÉSENT APPAREIL N'EST PAS DESTINÉ À ÊTRE UTILISÉ DANS UN DOMICILE OU UN VÉHICULE RÉCRÉATIF.

MISE EN GARDE

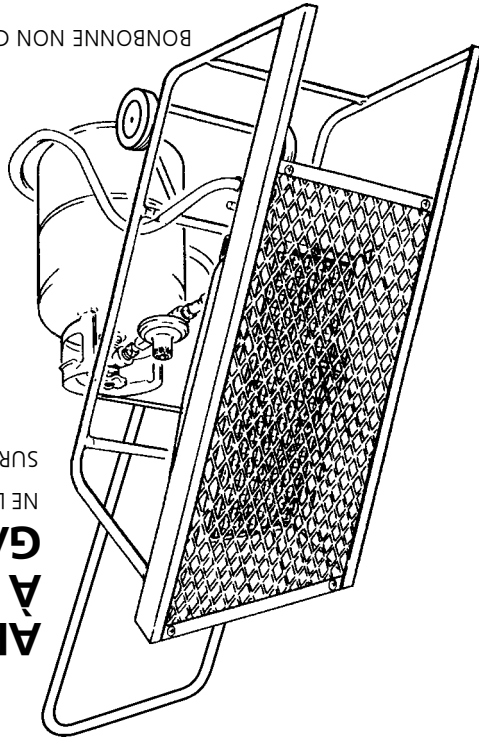
RISQUE D'INCENDIE, DE BRÛLURE, D'INHALATION DE SUBSTANCES TOXIQUES ET D'EXPLOSION. TEL QUE MENTIONNÉ DANS LE MANUEL DE L'UTILISATEUR, VEUILLEZ GARDER LES COMBUSTIBLES SOLIDES TELS QUE LES MATÉRIAUX DE CONSTRUCTION, LE PAPIER OU LE CARTON À DISTANCE DE L'APPAREIL DE CHAUFFAGE. N'UTILISEZ JAMAIS L'APPAREIL DE CHAUFFAGE DANS DES ENDROITS OÙ IL Y A OU IL PEUT Y AVOIR DES COMBUSTIBLES VOLATILES OU DES PRODUITS TELS QUE DE L'ESSENCE, DES SOLVANTS, DES DILUENTS À PEINTURE, DES PARTICULES DE POUSSIÈRE OU DES PRODUITS CHIMIQUES INCONNUS.

AVERTISSEMENT CONTRE LES RISQUES GÉNÉRAUX

LE FAIT DE NE PAS RESPECTER LES PRÉCAUTIONS ET LES INSTRUCTIONS FOURNIES AVEC LE PRÉSENT APPAREIL DE CHAUFFAGE PEUT ENTRAÎNER LA MORT, DES BLESSURES CORPORELLES GRAVES, DES PERTES OU DOMMAGES DE BIENS CAUSÉS PAR LE FEU, DES EXPLOSIONS, DES BRÛLURES, L'ASPHYXIE, L'EMPOISONNEMENT AU MONOXYDE DE CARBONE OU DES ÉLECTROCUTIONS.

SEULES LES PERSONNES COMPRENANT ET POUVANT SUIVRE LES INSTRUCTIONS DEVAIENT UTILISER LE PRÉSENT APPAREIL DE CHAUFFAGE.

SI VOUS DÉSIREZ OBTENIR DE L'AIDE OU DES INFORMATIONS SUR LE PRÉSENT APPAREIL, COMME DES MODES D'EMPLOI, DES ÉTIQUETTES, ETC., VEUILLEZ COMMUNIQUER AVEC LE FABRICANT.



BONBONNE NON COMPRISÉ

APPAREIL DE CHAUFFAGE PORTATIF À INFRAROUGE FONCTIONNANT AU GAZ

NE LAISSEZ PAS L'APPAREIL DE CHAUFFAGE FONCTIONNER SANS SURVEILLANCE

MANUEL DE L'UTILISATEUR ET INSTRUCTIONS D'UTILISATION	
<p>MR. HEATER</p> <p>N° de modèles MH35LP</p>	<p>HEATSTAR</p> <p>N° de modèles HS35LP</p>
<p>REMARQUE : lisez et suivez les instructions d'utilisation. Rangez le manuel de l'utilisateur dans un endroit sûr aux fins de référence ultérieure. NE LAISSEZ PERSONNE qui n'a pas lu le manuel de l'utilisateur tenter de monter, de mettre en marche, de régler ou de faire fonctionner l'appareil de chauffage.</p>	