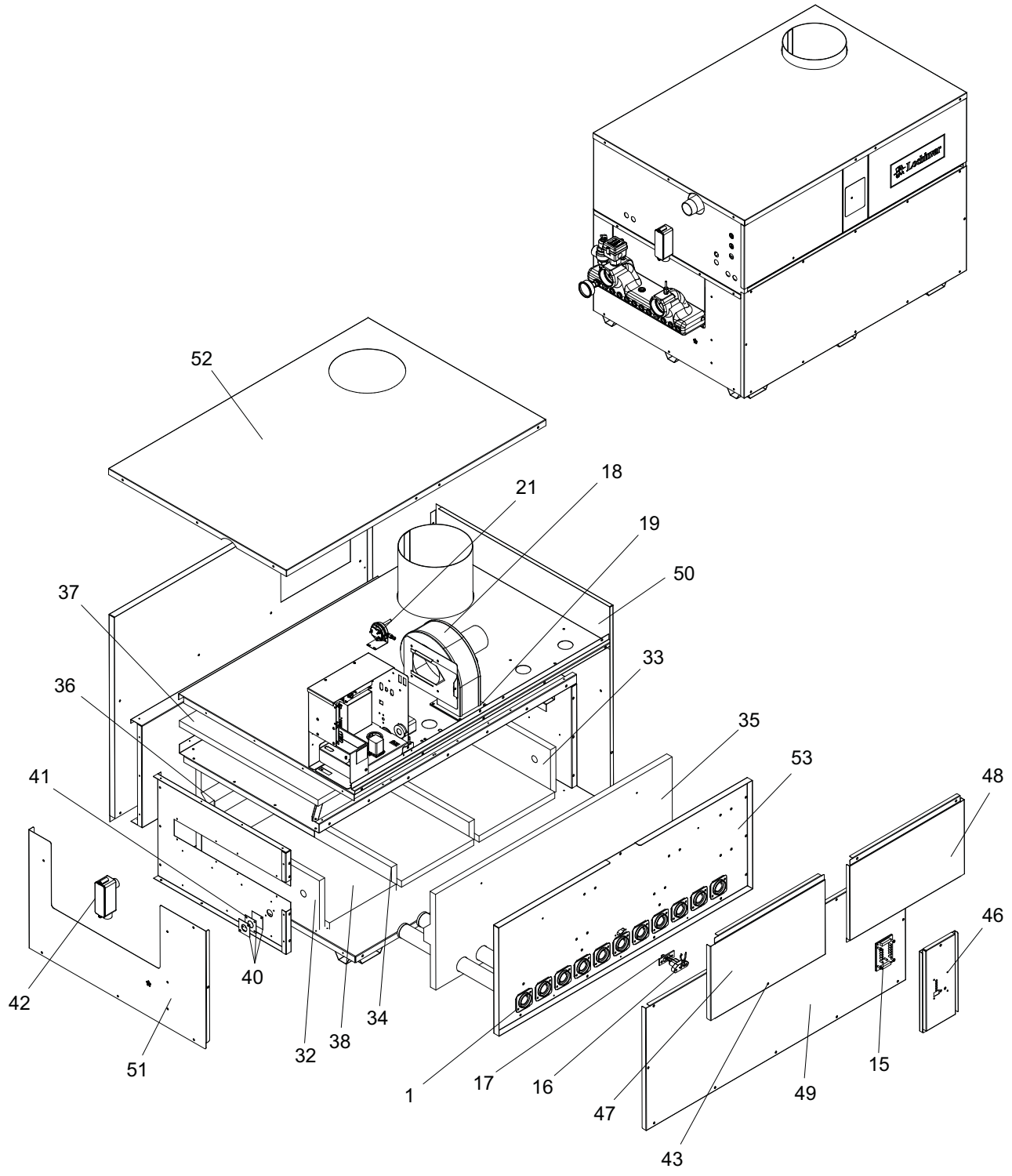




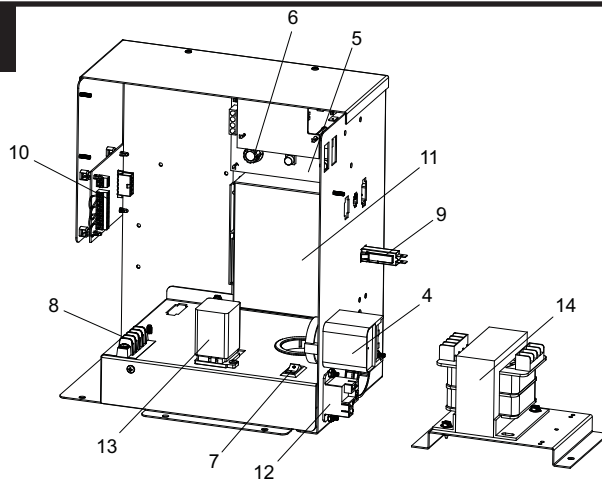
PARTS & SERVICE DEPARTMENT
 Nashville, Tennessee
 615-889-8900 • Fax: 615-882-2918
 parts_team@lochinvar.com
 www.Lochinvar.com

Replacement Parts List

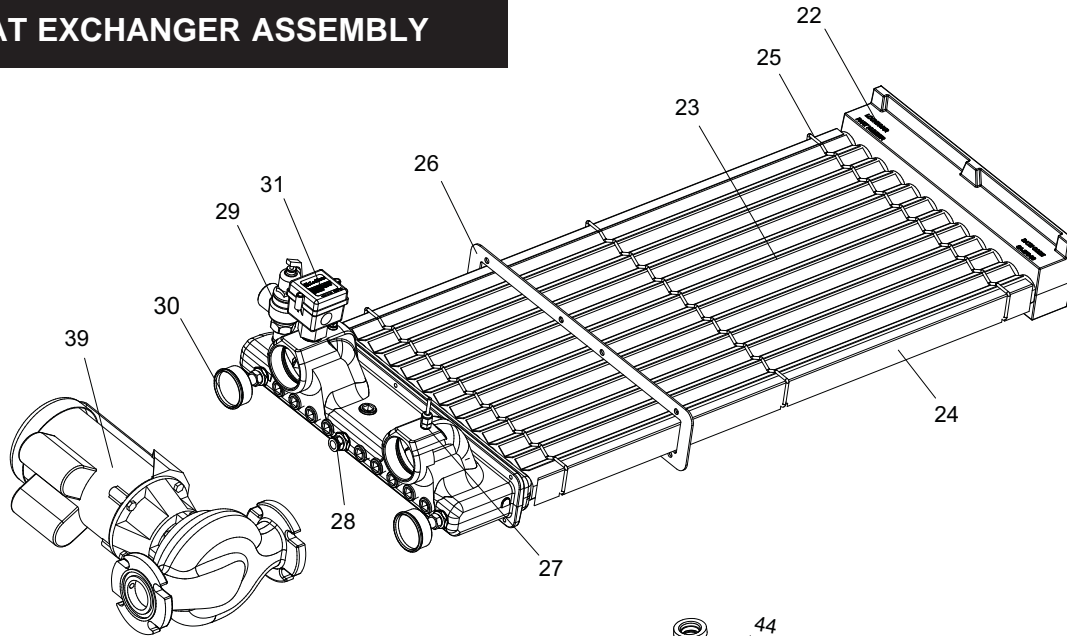
**Copper-Fin®
 Boilers — Water Heaters
 CB—CW 987 - 2067**



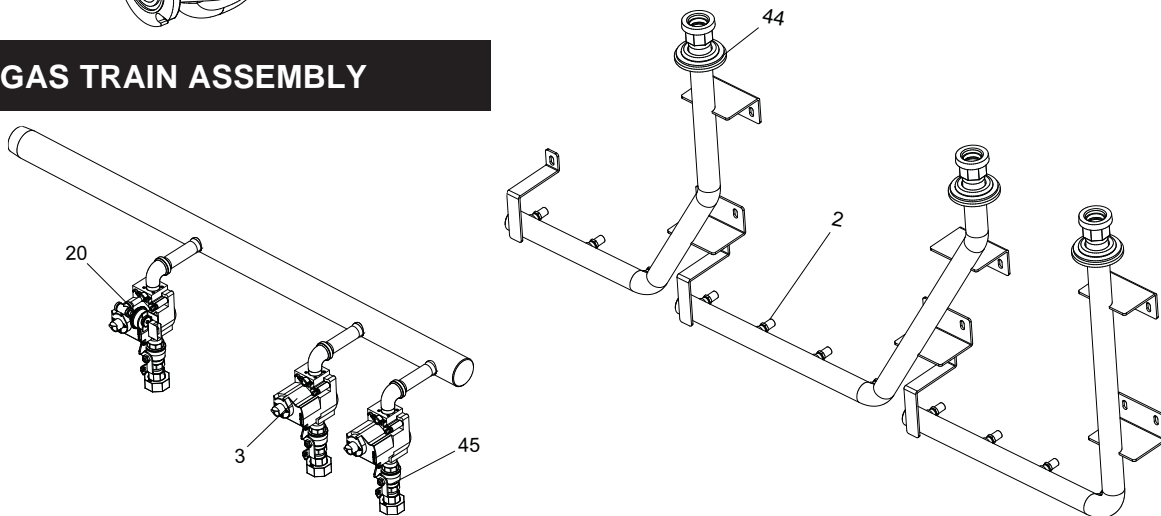
CONTROL PANEL



HEAT EXCHANGER ASSEMBLY



GAS TRAIN ASSEMBLY



ITEM NO.	PART NO.	DESCRIPTION	MODEL NO.
----------	----------	-------------	-----------

BURNERS

ITEM NO.	Model	BNR3422	BNR3430
	1	987	10 ea
	1257	13 ea	1 ea
	1437	15 ea	1 ea
	1797	19 ea	1 ea
	2067	22 ea	1 ea

GAS TRAIN ASSEMBLIES

2	ORF20004	ORIFICE, NAT	ALL
2	ORF20005	ORIFICE, LP	ALL
3	VAL2076	GAS VALVE, NAT	ALL
3	VAL2413	GAS VALVE, LP	ALL

PLEASE HAVE MODEL AND SERIAL NUMBER WHEN ORDERING PARTS

ITEM NO.	PART NO.	DESCRIPTION	MODEL NO.
CONTRLS & GAUGES			
4	HLC2702	HIGH LIMIT, MANUAL RESET	ALL
5	TST2314	THERMOSTAT	CB
5	TST5314	THERMOSTAT	CW
6	MSC2152	KNOB, FLUTED W/ SKIRT	ALL
7	SWT2006	SWITCH, ON / OFF	ALL
8	MSC2333	TERMINAL STRIP	ALL
9	MSC2447	CIRCUIT BREAKER, 7 AMP	ALL
10	RLY20078	BOARD, CONNECTOR	ALL
11	RLY2402	IGNITION MODULE	ALL
12	RLY2052	RELAY, PUMP	ALL
13	RLY2424	RELAY, 24V	ALL
14	TRF2701	TRANSFORMER, 150VA	ALL
15	RLY2044	DISPLAY BOARD	ALL
16	PLT3400	HOT SURFACE IGNITOR	ALL
17	GKT2012	GASKET, IGNITER	ALL
18	FAN2010	FAN ASSEMBLY	987 - 1257
18	FAN20004	FAN ASSEMBLY	1437 - 2067
19	GKT2023	FAN GASKET	ALL
20	PRS2004	GAS PRESSURE SWITCH, NAT	ALL
21	KIT3075	PRESSURE SWITCH	987, 1257, 1797, 2067
21	KIT3076	PRESSURE SWITCH	1437
HEAT EXCHANGERS			
22	HEX30009	HEAT EXCHANGER, HLW	CW987
22	HEX30010	HEAT EXCHANGER, HLW	CW1257
22	HEX30011	HEAT EXCHANGER, HLW	CW1437
22	HEX30012	HEAT EXCHANGER, HLW	CW1797
22	HEX30013	HEAT EXCHANGER, HLW	CW2067
22	HEX30014	HEAT EXCHANGER, H	CB987
22	HEX30015	HEAT EXCHANGER, H	CB1257
22	HEX30016	HEAT EXCHANGER, H	CB1437
22	HEX30017	HEAT EXCHANGER, H	CB1797
22	HEX30018	HEAT EXCHANGER, H	CB2067
23	JKE20000	V-BAFFLE (11 REQ)	987
23	JKE20001	V-BAFFLE (11 REQ)	1257
23	JKE20002	V-BAFFLE (11 REQ)	1437
23	JKE20003	V-BAFFLE (11 REQ)	1797
23	JKE20004	V-BAFFLE (11 REQ)	2067
24	JKE60162	FRAME RUNNER (2 REQ)	987
24	JKE60163	FRAME RUNNER (2 REQ)	1257
24	JKE60164	FRAME RUNNER (2 REQ)	1437
24	JKE60165	FRAME RUNNER (2 REQ)	1797
24	JKE60166	FRAME RUNNER (2 REQ)	2067
25	MSC20129	RETAINER, V BAFFLE	ALL
26	GKT20032	GASKET, HEAT SHIELD	ALL
27	TST2050	SENSOR, INLET	ALL
28	TST2300	BULB WELL, HIGH LIMIT	ALL
29	RLV2001	RELIEF VALVE, PRESSURE ONLY	CB
29	RLV2017	RELIEF VALVE, TEMPERATURE & PRESSURE	CW
30	GTP2900	GAUGE, TEMPERATURE & PRESSURE	CB
30	GTP3000	GAUGE, TEMPERATURE	CW
31	WTR2041	FLOW SWITCH, OUTDOOR	ALL
31	WTR2040	FLOW SWITCH, INDOOR	ALL
LOCH-HEAT TILE			
32	FIB20041	LOCH-HEAT TILE, FRONT HEAD SIDE	ALL
33	FIB20042	LOCH-HEAT TILE, REAR HEAD SIDE	ALL
34	FIB20044	LOCH-HEAT TILE, DIVIDER	ALL
35	FIB20095	LOCH-HEAT TILE, FRONT DOOR	987
35	FIB20096	LOCH-HEAT TILE, FRONT DOOR	1257
35	FIB20051	LOCH-HEAT TILE, FRONT DOOR LEFT	1437
35	FIB20097	LOCH-HEAT TILE, FRONT DOOR RIGHT	1437
35	FIB20053	LOCH-HEAT TILE, FRONT DOOR LEFT	1797
35	FIB20098	LOCH-HEAT TILE, FRONT DOOR RIGHT	1797
35	FIB20055	LOCH-HEAT TILE, FRONT DOOR LEFT	2067
35	FIB20099	LOCH-HEAT TILE, FRONT DOOR RIGHT	2067
36	FIB20035	LOCH-HEAT TILE, BACK	987
36	FIB20036	LOCH-HEAT TILE, BACK	1257
36	FIB20037	LOCH-HEAT TILE, BACK LEFT	1437
36	FIB20038	LOCH-HEAT TILE, BACK LEFT	1797
36	FIB20039	LOCH-HEAT TILE, BACK LEFT	2067
36	FIB20040	LOCH-HEAT TILE, BACK RIGHT	1437-2067

PLEASE HAVE MODEL AND SERIAL NUMBER WHEN ORDERING PARTS

NOTE: CB = BOILER. CW = WATER HEATER

ITEM NO.	PART NO.	DESCRIPTION	MODEL NO.
LOCH-HEAT TILE CONTINUED			
37	FIB20000	INSULATION PAD, TOP	987
37	FIB20002	INSULATION PAD, TOP	1257
37	FIB2257	INSULATION PAD, TOP	1437
37	FIB20004	INSULATION PAD, TOP	1797
37	FIB2259	INSULATION PAD, TOP	2067
38	FIB20043	LOCH-HEAT TILE, LEFT BOTTOM	987
38	FIB20045	LOCH-HEAT TILE, MIDDLE BOTTOM	987
38	FIB20046	LOCH-HEAT TILE, RIGHT BOTTOM	987
38	FIB20047	LOCH-HEAT TILE, LEFT BOTTOM	1257
38	FIB20045	LOCH-HEAT TILE, MIDDLE BOTTOM (2)	1257
38	FIB20048	LOCH-HEAT TILE, RIGHT BOTTOM	1257
38	FIB20059	LOCH-HEAT TILE, LEFT BOTTOM	1437
38	FIB20045	LOCH-HEAT TILE, MIDDLE BOTTOM (2)	1437
38	FIB20060	LOCH-HEAT TILE, RIGHT BOTTOM	1437
38	FIB20061	LOCH-HEAT TILE, LEFT BOTTOM	1797
38	FIB20045	LOCH-HEAT TILE, MIDDLE BOTTOM (3)	1797
38	FIB20062	LOCH-HEAT TILE, RIGHT BOTTOM	1797
38	FIB20063	LOCH-HEAT TILE, LEFT BOTTOM	2067
38	FIB20045	LOCH-HEAT TILE, MIDDLE BOTTOM (3)	2067
38	FIB20064	LOCH-HEAT TILE, MIDDLE BOTTOM (1)	2067
38	FIB20065	LOCH-HEAT TILE, RIGHT BOTTOM	2067
PUMPS			
39	ARM3024PAB	PUMP	CW
MISCELLANEOUS			
40	MSC3415	SIGHT GLASS AND GASKET KIT	ALL
41	GKT2401	GASKET, SIGHT GLASS	ALL
42	MSC20176	CONDUIT COVER	ALL
43	MSC2413	SCREW, KNURLED HEAD	ALL
44	GKT2427	GASKET, ESCUTCHEON, 3/4"	ALL
45	VAL2421	VALVE, BALL	CB
	GKT2028	GASKET, ESCUTCHEON, 2"	ALL
	GKT3408	GASKET, STRIP 45"	ALL
	TUB2002	TUBING, 3/16" X 5/16" GRAY	ALL
	TUB2004	TUBING, 1/8" ALUMINUM	ALL
	FIL2000	FILTER, 16 X 16 X 1	ALL
	GKT2429	GASKET, BURNER	ALL
	GKT30000	GASKET, PVC 1/4 X 5/8 BLACK	ALL
	KIT40020	KIT, TANK SENSOR	CW
	KIT40021	KIT, SYSTEM SENSOR	CB
	MSC2155	TEE, 3/16 HOSE	ALL
	MSC2156	CAP, 3/16 TEE FITTING	ALL
	TST2032	SENSOR, SYSTEM/TANK	ALL
	TST2306	BULB WELL	ALL
	WTR30000	LOW WATER CUT-OFF, MANUAL RESET (OPTIONAL)	ALL
	WTR30001	LOW WATER CUT-OFF, AUTO RESET (OPTIONAL)	ALL
	WTR2222	LOW WATER CUT-OFF PROBE (OPTIONAL)	ALL
	WTR20000	LOW WATER CUT-OFF BOOT (OPTIONAL)	ALL
JACKET ASSEMBLIES			
46	JKE30001	JACKET, OUTER FRONT UPPER MIDDLE	ALL
47	JKE60136	JACKET, OUTER FRONT UPPER LEFT	ALL
48	JKE30002	JACKET, OUTER FRONT UPPER RIGHT	987
48	JKE30003	JACKET, OUTER FRONT UPPER RIGHT	1257
48	JKE30004	JACKET, OUTER FRONT UPPER RIGHT	1437
48	JKE30005	JACKET, OUTER FRONT UPPER RIGHT	1797
48	JKE30006	JACKET, OUTER FRONT UPPER RIGHT	2067
49	JKE60124	JACKET, OUTER FRONT LOWER	987
49	JKE60125	JACKET, OUTER FRONT LOWER	1257
49	JKE60126	JACKET, OUTER FRONT LOWER	1437
49	JKE60127	JACKET, OUTER FRONT LOWER	1797
49	JKE60128	JACKET, OUTER FRONT LOWER	2067
50	JKE60182	JACKET, OUTER REAR HEAD	ALL
51	JKE60114	JACKET, OUTER LEFT LOWER HEAD	ALL
52	JKE60119	JACKET, OUTER TOP	987
52	JKE60120	JACKET, OUTER TOP	1257
52	JKE60121	JACKET, OUTER TOP	1437
52	JKE60122	JACKET, OUTER TOP	1797
52	JKE60123	JACKET, OUTER TOP	2067
53	JKE30007	DOOR, COMBUSTION CHAMBER	987
53	JKE30008	DOOR, COMBUSTION CHAMBER	1257
53	JKE30009	DOOR, COMBUSTION CHAMBER	1437
53	JKE30010	DOOR, COMBUSTION CHAMBER	1797
53	JKE30011	DOOR, COMBUSTION CHAMBER	2067

PLEASE HAVE MODEL AND SERIAL NUMBER WHEN ORDERING PARTS
NOTE: CB = BOILER, CW = WATER HEATER