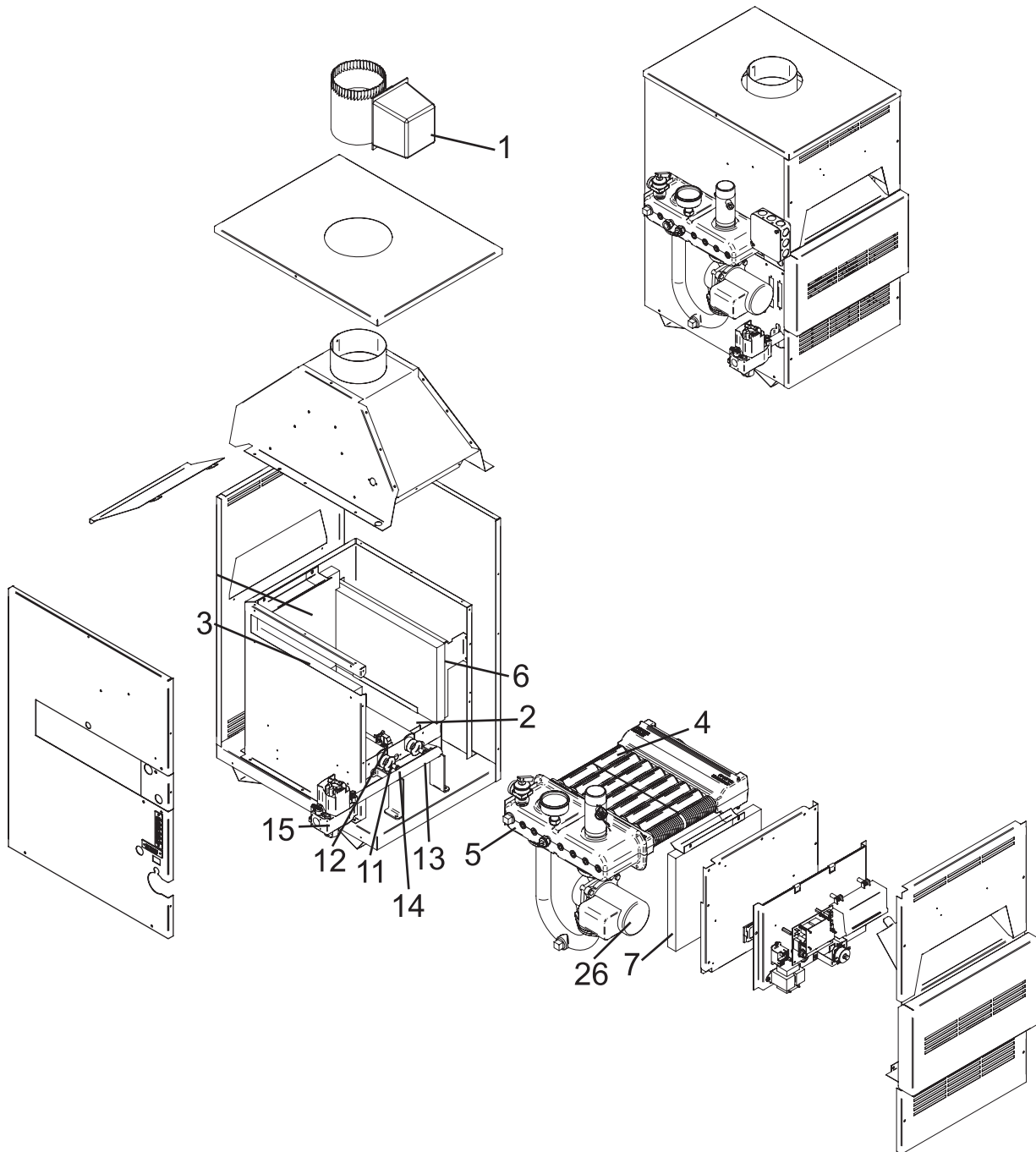




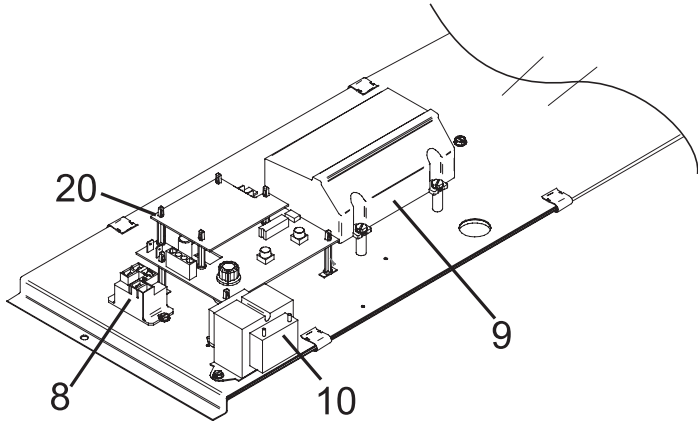
**PARTS AND SERVICE DEPARTMENT**  
Nashville, Tennessee  
615-889-8900 • Fax: 615-547-1000  
www.Lochinvar.com

# Replacement Parts List

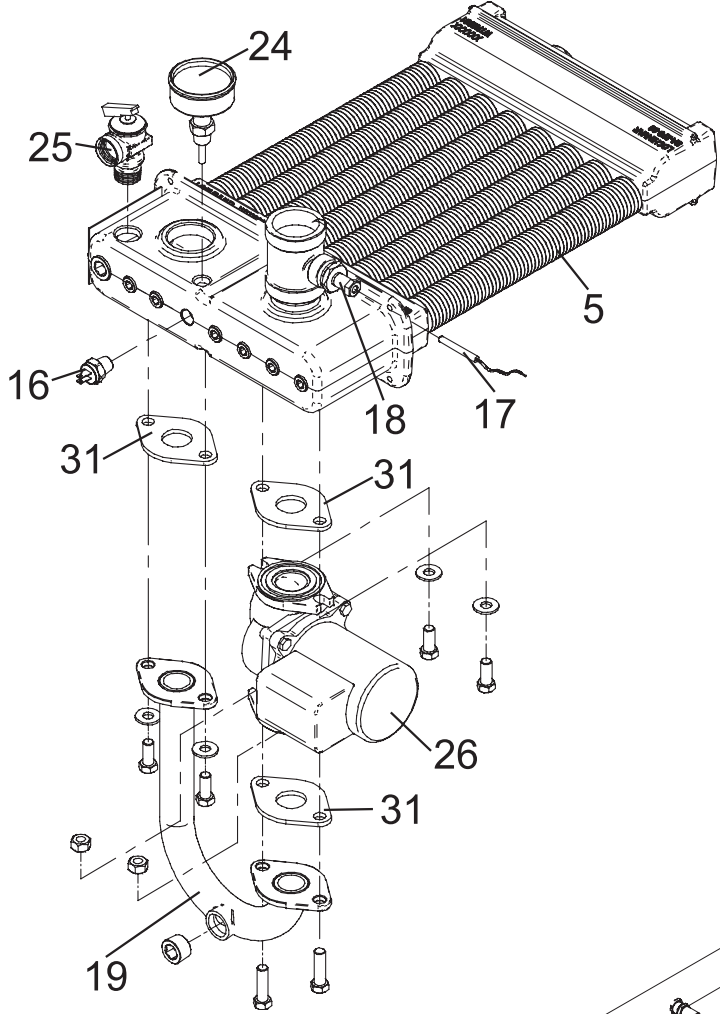
## Solution Boilers CB 45-260



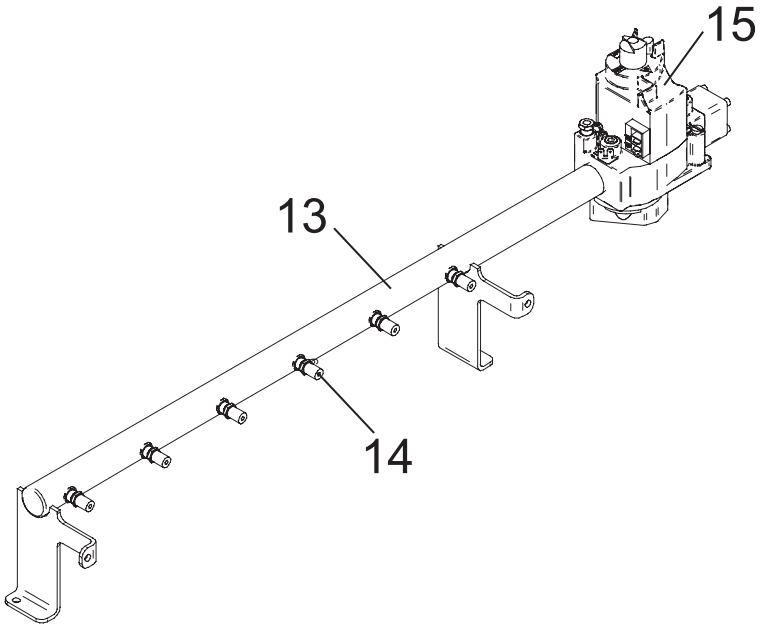
**Control Panel**



**Heat Exchanger Assembly**



**Gas Train**



ITEM NO.	PART NO.	DESCRIPTION	MODEL NO.
<b>FLUE DAMPERS</b>			
1	DRH2934	FLUE DAMPER - 4"	CB045
1	DRH2935	FLUE DAMPER - 5"	CB075/090
1	DRH2936	FLUE DAMPER - 6"	CB135
1	DRH2937	FLUE DAMPER - 7"	CB180//215
1	DRH2938	FLUE DAMPER - 8"	CB260
<b>LOCH-HEAT® TILE</b>			
2	FIB2963	INSULATION, BOTTOM	CB45
2	FIB2964	INSULATION, BOTTOM	CB75/90
2	FIB2965	INSULATION, BOTTOM	CB135
2	FIB2966	INSULATION, BOTTOM	CB180
2	FIB2967	INSULATION, BOTTOM	CB215
2	FIB2968	INSULATION, BOTTOM	CB260
6	FIB2973	LOCH-HEAT TILE, SIDE RIGHT	CB045/260
3	FIB2942	LOCH-HEAT TILE, SIDE LEFT	CB045/260
7	FIB2943	LOCH-HEAT TILE, FRONT	CB045
7	FIB2945	LOCH-HEAT TILE, FRONT	CB075 & 090
7	FIB2947	LOCH-HEAT TILE, FRONT	CB135
7	FIB2949	LOCH-HEAT TILE, FRONT	CB180
7	FIB2951	LOCH-HEAT TILE, FRONT	CB215
7	FIB2953	LOCH-HEAT TILE, FRONT	CB260
23	FIB2944	LOCH-HEAT TILE, BACK	CB045
23	FIB2946	LOCH-HEAT TILE, BACK	CB075 & 090
23	FIB2948	LOCH-HEAT TILE, BACK	CB135
23	FIB2950	LOCH-HEAT TILE, BACK	CB180
23	FIB2952	LOCH-HEAT TILE, BACK	CB215
23	FIB2954	LOCH-HEAT TILE, BACK	CB260
<b>HEAT EXCHANGERS</b>			
5	HEX3857	HEAT EXCHANGER H	CB45
5	HEX3858	HEAT EXCHANGER H	CB75/90
5	HEX3859	HEAT EXCHANGER H	CB135
5	HEX3860	HEAT EXCHANGER H	CB180
5	HEX3861	HEAT EXCHANGER H	CB215
5	HEX3862	HEAT EXCHANGER H	CB260
19	BKP2074	BYPASS PIPE	ALL
<b>PUMPS</b>			
26	ARM3007PBF	PUMP, BOILER BYPASS	CB45-260
<b>CONTROLS</b>			
8	RLY2105	RELAY, PUMP	ALL
9	RLY2023	IGNITION MODULE	ALL
10	TRF2002	TRANSFORMER 50V.A.	ALL
16	HLC2909	HIGH LIMIT	CB045-260
17	TST2032	THERMOSTAT SENSOR	ALL
20	TST2314	THERMOSTAT, TWO STAGE M9	ALL CB
24	GTP2900	TRIOMETER GAUGE 75# PSI	ALL CB
	HLC2906	ROLLOUT SWITCH 200 DEG.	CB045
	HLC2907	ROLLOUT SWITCH 220 DEG.	CB075
	HLC2908	ROLLOUT SWITCH 280 DEG	CB260
	HLC2903	ROLLOUT SWITCH 250 DEG.	CB90, 135-180-215
	HLC2906	SPILL SWITCH 200 DEG.	CB260
	HLC2903	SPILL SWITCH 250 DEG.	CB90, 135 & 215
	HLC2907	SPILL SWITCH 220 DEG	CB45-75
	HLC2908	SPILL SWITCH 280 DEG	CB180
<b>PILOT &amp; BURNER ASSEMBLIES</b>			
11	BNR2903	MAIN BURNER	ALL
12	PLT2303	PILOT, INTERMITTENT, NAT. M9	CBN045
12	PLT3303	PILOT, INTERMITTENT, LP. M9	CBN045
12	PLT2908	PILOT, INTERMITTENT, NAT. M9	CBN075-260
12	PLT2909	PILOT, INTERMITTENT, LP. M9	CBL075-260
13	MAN2934	GAS MANIFOLD	CB045
13	MAN2935	GAS MANIFOLD	CB075/090
13	MAN2936	GAS MANIFOLD	CB135
13	MAN2937	GAS MANIFOLD	CB180
13	MAN2938	GAS MANIFOLD	CB215
13	MAN2939	GAS MANIFOLD	CB260

**NOTE: CB = BOILER  
PLEASE HAVE MODEL NUMBER AND SERIAL NUMBER WHEN ORDERING PARTS**

ITEM NO.	PART NO.	DESCRIPTION	MODEL NO.
<b>PILOT &amp; BURNER ASSEMBLIES CONT.</b>			
14	ORF2419	ORIFICE, MAIN BNR. NAT.3.2MM	CB45-180
14	ORF2402	ORIFICE, MAIN BNR. LP 2.0MM	CB45-180
14	ORF2422	ORIFICE, MAIN BNR. NAT. 3.1MM	CB215-260
14	ORF2423	ORIFICE, MAIN BNR. LP. 1.9MM	CB215-260
<b>GAS VALVES</b>			
15	VAL2932	GAS VALVE, LPG. M9	CB045-135
15	VAL2933	GAS VALVE, LPG. M9	CB180-260
15	VAL2939	GAS VALVE, NAT. M9	CB045-135
15	VAL2940	GAS VALVE, NAT. M9	CB180-260
<b>MISCELLANEOUS</b>			
4	JKR2059	V-BAFFLE	CB045
4	JKR2060	V-BAFFLE	CB075 & 090
4	JKR2061	V-BAFFLE	CB135
4	JKR2062	V-BAFFLE	CB180
4	JKR2179	V-BAFFLE	CB215
4	JKR2180	V-BAFFLE	CB260
18	TST2040	SENSOR BULB WELL	ALL
25	RLV2005	RELIEF VALVE, PRESSURE 30 PSI	CB045-260
25	RLV2001	RELIEF VALVE, PRESSURE 50 PSI	CB045-260
31	GKT2910	GASKET,PUMP FLANGE	CB 045/260
<b>OPTIONS (NOT PICTURED)</b>			
	KIT3050	FLOW SWITCH	CB045/260
	KIT3051	OUTDOOR AIR RESET	CB045/260
	KIT3052	ADJUSTABLE MRHL	CB045/260
	KIT3055	LOW PRESSURE AUTO RESET LWCO	CB045/260
	KIT3057	MRLWCO W/TEST	CB045/260
	KIT3058	PUMP DELAY	CB045/260
	LPK3937	NAT - LP CONVERSION KIT M9	CB045
	LPK3915	NAT - LP CONVERSION KIT M9	CB090
	LPK3916	NAT - LP CONVERSION KIT M9	CB135
	LPK3940	NAT - LP CONVERSION KIT M9	CB215-260

**NOTE: CB = BOILER  
PLEASE HAVE MODEL NUMBER AND SERIAL NUMBER WHEN ORDERING PARTS**