

Owner's Manual

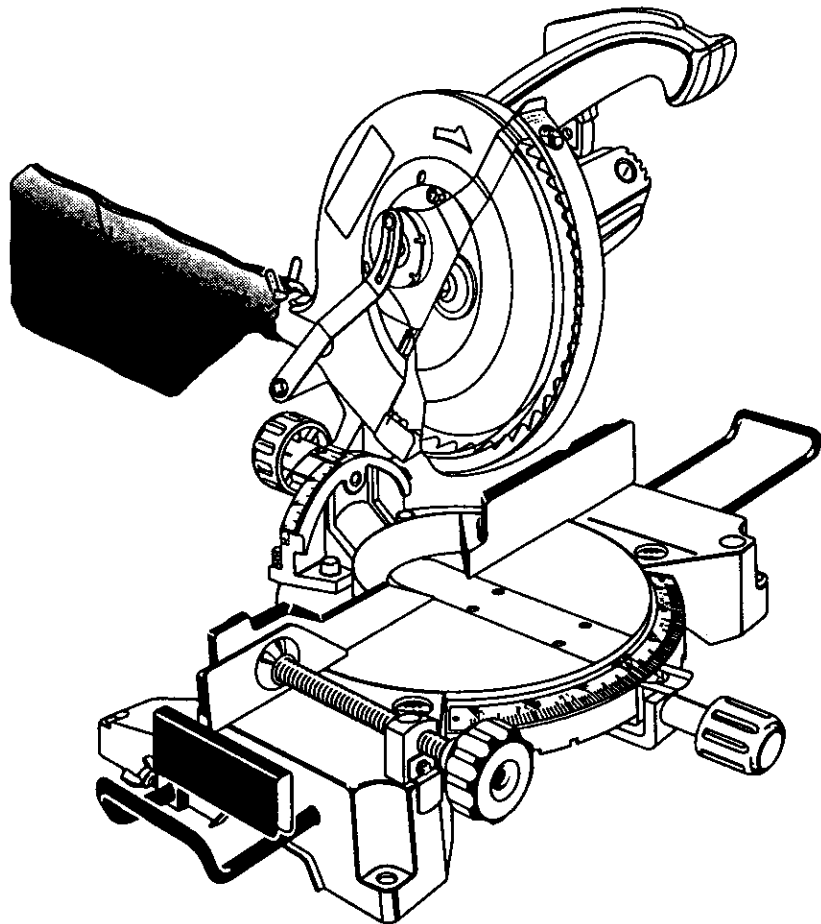
CRAFTSMAN®

ACCESSORIES FOR MODEL NOS. 315.212100 AND 315.212110 10 in. (254 mm) COMPOUND MITER SAW

Item No.

924310

924350



Save this manual for
future reference.

⚠ CAUTION: Read and follow
all Safety Rules and Operating
Instructions before first use of
this product.

- SAFETY
- LOOSE PARTS
- INSTALLATION
- SERVICES

Customer Help Line: 1-800-932-3188

Sears, Roebuck and Co., Hoffman Estates, IL 60179 USA
Visit the Craftsman web page: www.sears.com/craftsman

972000-603
2-00

RULES FOR SAFE OPERATION

READ ALL INSTRUCTIONS

- **READ THESE INSTRUCTIONS AND THE INSTRUCTIONS FOR THE 315.212100 COMPOUND MITER SAW THOROUGHLY** before using accessories.
- **KNOW YOUR POWER TOOL.** Read the owner's manual for the Compound Miter Saw carefully. Learn the saw's applications and limitations as well as the specific potential hazards related to this tool.
- **KEEP THE WORK AREA CLEAN.** Cluttered work areas and work benches invite accidents. **DO NOT** leave tools or pieces of wood on the saw while it is in operation.
- **ALWAYS WEAR SAFETY GLASSES.** Everyday eyeglasses have only impact-resistant lenses; they are **NOT** safety glasses.
- **ALWAYS DISCONNECT SAW FROM POWER SUPPLY BEFORE MAKING ADJUSTMENTS OR ADDING ACCESSORIES.** Make sure the switch is off when reconnecting to power supply.
- **SAVE THESE INSTRUCTIONS.** Refer to them frequently and use to instruct other users. If you loan someone this tool, loan them these instructions also.



Look for this symbol to point out important safety precautions. It means attention!!! Your safety is involved.

LOOSE PARTS LIST

The following accessories are included with item no. 224310 and 224350:

- Work Clamp
- Dust Bag
- Table Extensions (2)
- Stop Block
- Small Wing Screw
- Clamp Bracket (2)
- Clamp Bracket Screws (2)
- Owner's Manual

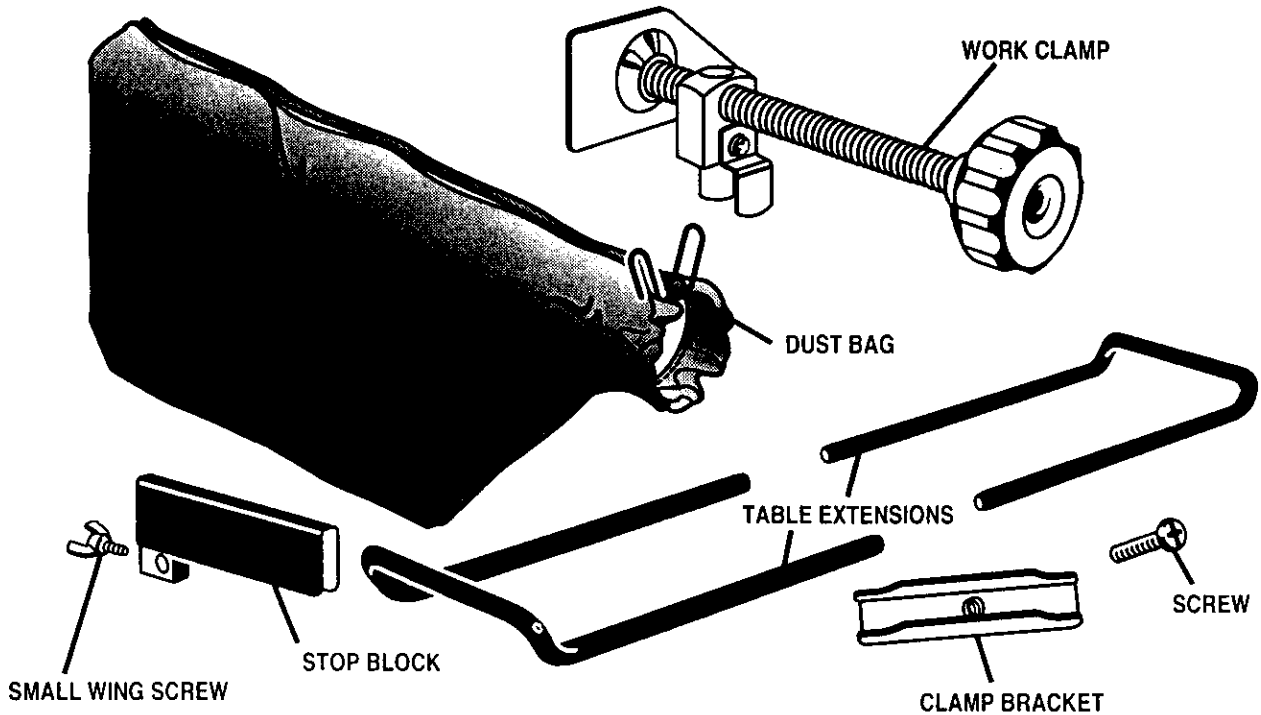


Fig. 1



WARNING: The use of attachments or accessories not listed might be hazardous.

INSTALLATION

⚠ WARNING: To prevent accidental starting that could cause possible serious personal injury, assemble all parts to your saw completely before connecting it to power supply. Saw should never be connected to power supply when you are assembling parts, making adjustments, installing or removing blades or accessories, or when not in use.

WORK CLAMP

See Figure 2.

The work clamp provides greater control by clamping the workpiece to the fence. It also prevents the workpiece from creeping toward the saw blade. This is very helpful when cutting compound miters. To install the work clamp, place the shaft of the clamp in either hole in front of the miter table base. Rotate the knob on the clamp to move it in or out as needed.

⚠ WARNING: Make sure the saw blade or blade guard will not hit the work clamp assembly when cutting 35° to 45° angles. Failure to heed this warning can result in serious personal injury.

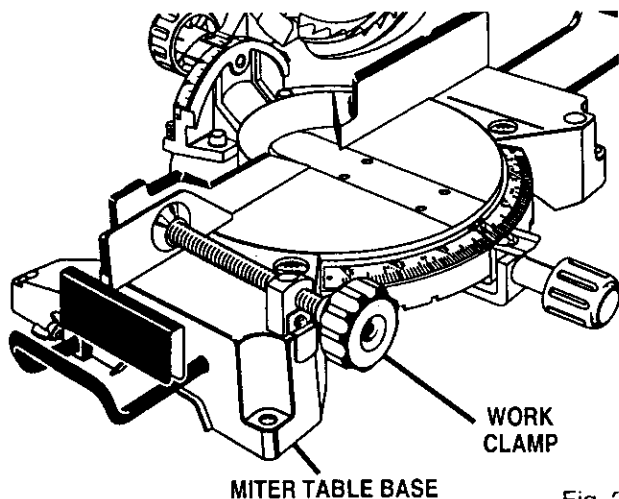


Fig. 2

DUST BAG

See Figure 3.

The dust bag fits over the exhaust port on the upper blade guard. To install it, remove the dust guide from the exhaust port. Then, squeeze the two metal clips to open the mouth of the bag and slide it on the exhaust port. Release the clips. The metal ring in the bag should lock in between the grooves on the exhaust port. For more efficient operation, empty dust bag when no more than half full. This will permit better air flow through the bag.

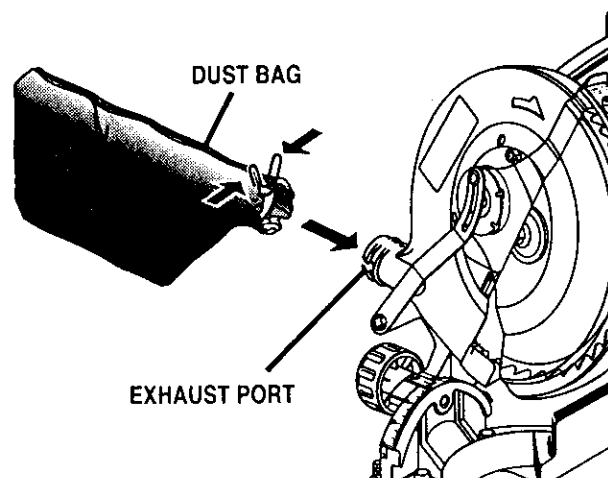


Fig. 3

TABLE EXTENSIONS

See Figure 4.

To install table extensions, insert the ends of the extensions into the holes in the sides of the base. Secure them in place by positioning a clamp bracket under each table extension beneath the miter table. Orient each clamp bracket as shown in figure 4. Secure each clamp bracket in place with a clamp bracket screw. The clamp bracket screw threads through the clamp bracket and tightens against bottom of miter table, securing clamp bracket against table extension.

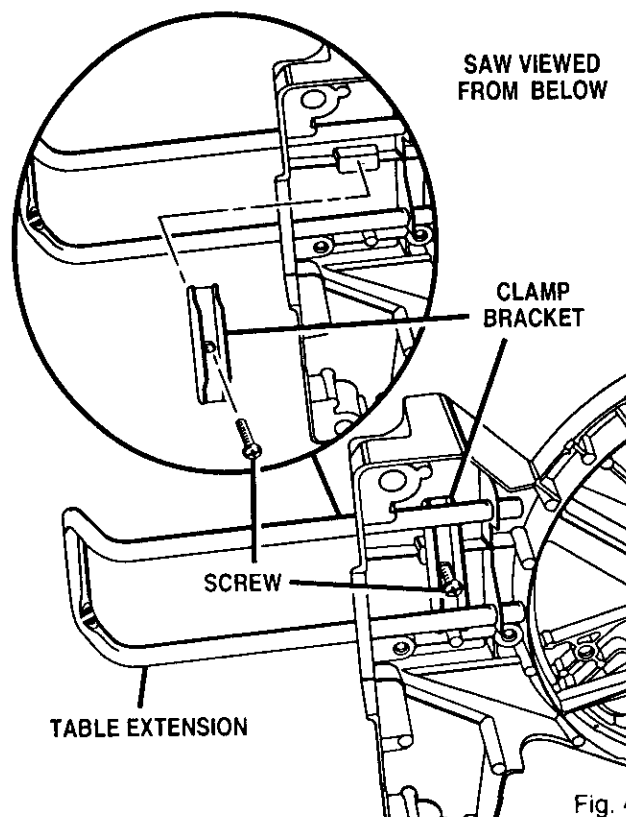


Fig. 4

INSTALLATION

STOP BLOCK

See Figures 5 and 6.

The stop block is useful as a stop for cutting multiple pieces to the same length. It can be installed on either table extension on either side of the saw base:

- Slide the stop block on the back arm of either table extension, then insert the table extension into the saw base. See Figure 5.
- Use the small wing screw to secure the stop block to the table extension. See Figure 5.
- Loosen the small wing screw and adjust the stop block the desired distance from the blade for the cut to be made.

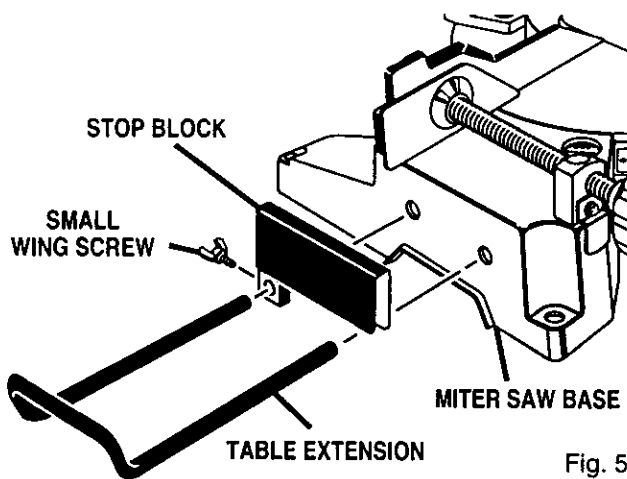


Fig. 5

- Tighten small wing screw securely.
- Make a test cut in scrap material and measure the length of the workpiece.
- Make any necessary adjustments.

⚠ WARNING: When using the work clamp with the stop block, install the clamp on the stop block side of the blade. This will eliminate the possibility of the saw catching the loose end and kicking up. Failure to heed this warning can result in serious personal injury.

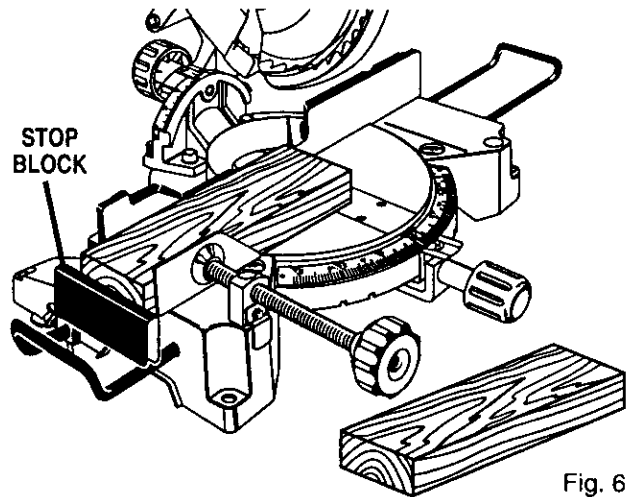


Fig. 6