

# SmartNode 4630 Series **ISDN BRI SO VoIP Gateway Router**

## *User Manual*



Sales Office: **+1 (301) 975-1000**  
Technical Support: **+1 (301) 975-1007**  
E-mail: **support@patton.com**  
WWW: **www.patton.com**

Part Number: **07MSN4630-GS**, Rev. E  
Revised: **February 9, 2012**



**Patton Electronics Company, Inc.**

7622 Rickenbacker Drive  
Gaithersburg, MD 20879 USA  
Tel: +1 (301) 975-1000  
Fax: +1 (301) 869-9293  
Support: +1 (301) 975-1007  
Web: [www.patton.com](http://www.patton.com)  
E-mail: [support@patton.com](mailto:support@patton.com)

**Trademark Statement**

The terms *SmartNode*, *SmartWare* and *SmartView* are trademarks of Patton Electronics Company. All other trademarks presented in this document are the property of their respective owners.

**Copyright © 2012, Patton Electronics Company. All rights reserved.**

The information in this document is subject to change without notice. Patton Electronics assumes no liability for errors that may appear in this document.

**Important Information**

To use virtual private network (VPN) and/or AES/DES/3DES encryption capabilities with the SmartNode 4630, you may need to purchase additional licenses, hardware, software, network connection, and/or service. Contact [sales@patton.com](mailto:sales@patton.com) or +1 (301) 975-1000 for assistance.

**Warranty Information**

The software described in this document is furnished under a license and may be used or copied only in accordance with the terms of such license. For information about the license, see [Appendix F, "End user license agreement"](#) on page 52 or go to [www.patton.com](http://www.patton.com).

Patton Electronics warrants all SmartNode router components to be free from defects, and will—at our option—repair or replace the product should it fail within one year from the first date of the shipment.

This warranty is limited to defects in workmanship or materials, and does not cover customer damage, abuse or unauthorized modification. If the product fails to perform as warranted, your sole recourse shall be repair or replacement as described above. Under no condition shall Patton Electronics be liable for any damages incurred by the use of this product. These damages include, but are not limited to, the following: lost profits, lost savings and incidental or consequential damages arising from the use of or inability to use this product. Patton Electronics specifically disclaims all other warranties, expressed or implied, and the installation or use of this product shall be deemed an acceptance of these terms by the user.

# Summary Table of Contents

- 1 General information ..... 13
- 2 Applications overview..... 19
- 3 SmartNode installation..... 22
- 4 Initial configuration ..... 27
- 5 Contacting Patton for assistance ..... 33
- A Compliance information ..... 36
- B Specifications ..... 39
- C Cabling ..... 43
- D Port pin-outs ..... 47
- E SmartNode 4630 factory configuration ..... 50
- F End user license agreement ..... 52

# Table of Contents

<b>Summary Table of Contents</b> .....	<b>3</b>
<b>Table of Contents</b> .....	<b>4</b>
<b>List of Figures</b> .....	<b>7</b>
<b>List of Tables</b> .....	<b>8</b>
<b>About this guide</b> .....	<b>9</b>
Audience.....	9
Structure.....	9
Precautions .....	10
Safety when working with electricity .....	11
General observations .....	11
Typographical conventions used in this document.....	12
General conventions .....	12
<b>1 General information</b> .....	<b>13</b>
SmartNode 4630 overview .....	14
SmartNode 4630 rear panel .....	15
SmartNode 4630 front panel .....	17
<b>2 Applications overview</b> .....	<b>19</b>
Introduction.....	20
Application—Edge intelligence of enterprise communication.....	20
Application—Multi-service ISDN Internet telephony IAD .....	21
<b>3 SmartNode installation</b> .....	<b>22</b>
Planning the installation.....	23
Site log .....	23
Network information .....	23
Network Diagram .....	23
IP related information .....	23
Software tools .....	24
Power source .....	24
Location and mounting requirements .....	24
Installing the gateway router.....	24
Placing the SmartNode .....	24
Installing cables .....	24
Connecting ISDN terminals and NT to the SmartNode’s ISDN BRI ports .....	25
Connecting the 10/100Base-T Ethernet LAN and WAN cables .....	25
Connecting the power supply .....	26
Internal S-Bus power supply .....	26
<b>4 Initial configuration</b> .....	<b>27</b>
Introduction.....	28
Connecting the SmartNode to your laptop PC.....	28

Configuring the desired IP address .....	29
Factory-default IP settings .....	29
Login .....	29
Changing the WAN IP address .....	29
Connecting the SmartNode to the network.....	30
Loading the configuration (optional).....	31
Additional information.....	32
<b>5 Contacting Patton for assistance .....</b>	<b>33</b>
Introduction.....	34
Contact information.....	34
Patton support headquarters in the USA .....	34
Alternate Patton support for Europe, Middle East, and Africa (EMEA) .....	34
Warranty Service and Returned Merchandise Authorizations (RMAs).....	34
Warranty coverage .....	34
Out-of-warranty service .....	35
Returns for credit .....	35
Return for credit policy .....	35
RMA numbers .....	35
Shipping instructions .....	35
<b>A Compliance information .....</b>	<b>36</b>
Compliance.....	37
EMC .....	37
Safety .....	37
PSTN Regulatory .....	37
Radio and TV Interference.....	37
CE Declaration of Conformity.....	38
Authorized European Representative .....	38
ISDN compliance.....	38
<b>B Specifications .....</b>	<b>39</b>
DSP.....	40
Voice connectivity .....	40
Data connectivity .....	40
Voice processing (signalling dependent) .....	40
Fax and modem support.....	41
Voice signalling.....	41
Voice routing—session router.....	41
IP services.....	42
Management .....	42
System.....	42
Physical .....	42
<b>C Cabling .....</b>	<b>43</b>
Introduction.....	44

Console .....	44
Ethernet .....	45
ISDN BRI .....	46
<b>D Port pin-outs .....</b>	<b>47</b>
Introduction .....	48
Console port.....	48
Ethernet .....	48
ISDN BRI 0/0 (NT/Net or TE/User) port.....	48
ISDN BRI 0/1 .. 0/3 (TE/Usr or NT/Net).....	49
<b>E SmartNode 4630 factory configuration .....</b>	<b>50</b>
Introduction.....	51
<b>F End user license agreement .....</b>	<b>52</b>
End User License Agreement.....	53
1. Definitions .....	53
2. Title .....	53
3. Term .....	53
4. Grant of License .....	53
5. Warranty .....	53
6. Termination .....	54
7. Other licenses .....	54

## List of Figures

1	SmartNode 4630	14
2	SN4630 rear panel	15
3	SmartNode 4630 front panel	17
4	Edge intelligence of enterprise communication application	20
5	Internet telephony IAD application	21
6	Power LED (SmartNode 4638 shown)	26
7	Connecting the SmartNode to your laptop PC	28
8	Connecting the SmartNode to the network	30
9	Connecting a serial terminal	44
10	Typical Ethernet straight-through cable diagram	45
11	Connecting an ISDN device	46
12	EIA-561 (RJ-45 8-pin) port	48

## List of Tables

---

1	General conventions .....	12
2	Rear panel ports .....	15
3	SmartNode 4630 LED definitions .....	17
4	Sample site log entries .....	23
5	Factory default IP address and network mask configuration .....	29
6	RJ-45 socket .....	48
7	RJ-45 socket .....	48
8	RJ-45 socket .....	49



# About this guide

---

This guide describes the SmartNode 4630 hardware, installation and basic configuration. For detailed software configuration information refer to the *SmartWare Software Configuration Guide* and the available Configuration Notes.

## Audience

---

This guide is intended for the following users:

- Operators
- Installers
- Maintenance technicians

## Structure

---

This guide contains the following chapters and appendices:

- [Chapter 1](#) on page 13 provides information about router features and capabilities
- [Chapter 2](#) on page 19 contains an overview describing router operation and applications
- [Chapter 3](#) on page 22 provides hardware installation procedures
- [Chapter 4](#) on page 27 provides quick-start procedures for configuring the SmartNode router
- [Chapter 5](#) on page 33 contains information on contacting Patton technical support for assistance
- [Appendix A](#) on page 36 contains compliance information for the router
- [Appendix B](#) on page 39 contains specifications for the routers
- [Appendix C](#) on page 43 provides cable recommendations
- [Appendix D](#) on page 47 describes the router's ports and pin-outs
- [Appendix E](#) on page 50 lists the factory configuration settings for SmartNode 4630
- [Appendix F](#) on page 52 provides license information that describes acceptable usage of the software provided with the SmartNode 4630

For best results, read the contents of this guide *before* you install the router.

## Precautions

Notes, cautions, and warnings, which have the following meanings, are used throughout this guide to help you become aware of potential problems. **Warnings** are intended to prevent safety hazards that could result in personal injury. **Cautions** are intended to prevent situations that could result in property damage or impaired functioning.

**Note** A note presents additional information or interesting sidelights.



IMPORTANT

The alert symbol and IMPORTANT heading calls attention to important information.



CAUTION

The alert symbol and CAUTION heading indicate a potential hazard. Strictly follow the instructions to avoid property damage.



CAUTION

The shock hazard symbol and CAUTION heading indicate a potential electric shock hazard. Strictly follow the instructions to avoid property damage caused by electric shock.



WARNING

The alert symbol and WARNING heading indicate a potential safety hazard. Strictly follow the warning instructions to avoid personal injury.



WARNING

The shock hazard symbol and WARNING heading indicate a potential electric shock hazard. Strictly follow the warning instructions to avoid injury caused by electric shock.

## Safety when working with electricity



- **This device contains no user serviceable parts. The equipment shall be returned to Patton Electronics for repairs, or repaired by qualified service personnel.**
- **Mains Voltage: Do not open the case when the power cord is attached. Line voltages are present within the power supply when the power cords are connected. The mains outlet that is utilized to power the device shall be within 10 feet (3 meters) of the device, shall be easily accessible, and protected by a circuit breaker.**
- **Ensure that the power cable used meets all applicable standards for the country in which it is to be installed, and that it is connected to a wall outlet which has earth ground.**
- **For units with an external power adapter, the adapter shall be a listed Limited Power Source.**
- **Hazardous network voltages are present in WAN ports regardless of whether power to the unit is ON or OFF. To avoid electric shock, use caution when near WAN ports. When detaching the cables, detach the end away from the device first.**
- **Do not work on the system or connect or disconnect cables during periods of lightning activity.**



In accordance with the requirements of council directive 2002/96/EC on Waste of Electrical and Electronic Equipment (WEEE), ensure that at end-of-life you separate this product from other waste and scrap and deliver to the WEEE collection system in your country for recycling.

## General observations

- Clean the case with a soft slightly moist anti-static cloth
- Place the unit on a flat surface and ensure free air circulation
- Avoid exposing the unit to direct sunlight and other heat sources
- Protect the unit from moisture, vapors, and corrosive liquids


## Typographical conventions used in this document

This section describes the typographical conventions and terms used in this guide.

### General conventions

The procedures described in this manual use the following text conventions:

Table 1. General conventions

Convention	Meaning
Garamond blue type	Indicates a cross-reference hyperlink that points to a figure, graphic, table, or section heading. Clicking on the hyperlink jumps you to the reference. When you have finished reviewing the reference, click on the <b>Go to Previous View</b> button  in the Adobe® Acrobat® Reader toolbar to return to your starting point.
<b>Futura bold type</b>	Commands and keywords are in <b>boldface</b> font.
<b><i>Futura bold-italic type</i></b>	Parts of commands, which are related to elements already named by the user, are in <b>boldface italic</b> font.
<i>Italicized Futura type</i>	Variables for which you supply values are in <i>italic</i> font
Futura type	Indicates the names of fields or windows.
Garamond bold type	Indicates the names of command buttons that execute an action.
< >	Angle brackets indicate function and keyboard keys, such as <SHIFT>, <CTRL>, <C>, and so on.
[ ]	Elements in square brackets are optional.
{ a   b   c }	Alternative but required keywords are grouped in braces ( { } ) and are separated by vertical bars (   )
screen	Terminal sessions and information the system displays are in <i>screen</i> font.
<b>node</b>	The leading IP address or nodename of a SmartNode is substituted with <b>node</b> in <b>boldface italic</b> font.
<b>SN</b>	The leading <b>SN</b> on a command line represents the nodename of the SmartNode
#	An hash sign at the beginning of a line indicates a comment line.

# Chapter 1 **General information**

---

## **Chapter contents**

SmartNode 4630 overview .....	14
SmartNode 4630 rear panel .....	15
SmartNode 4630 front panel .....	17

## SmartNode 4630 overview

The SmartNode 4630 ISDN S0 VoIP Gateway-Router (see [figure 1](#)) combines IP routing, VPN/Security, and Quality of Service with high-quality Voice over IP (VoIP) delivered on five ISDN S0 (S/T) Basic Rate Interface (BRI). This combination allows you to leverage low-cost Internet Telephony on existing ISDN Phones and PBX equipment for complete SoHo and branch office voice and data connectivity.



Figure 1. SmartNode 4630

The SmartNode 4630 series consists of two models: the SN4634 and SN4638. Both models come equipped with two 10/100Base-T Ethernet ports.

The SmartNode 4638 Gateway-Router performs the following major functions:

- Eight channels of Voice over IP and local voice switching via 5 ISDN BRI S0 ports. Each port can be switched between NT and TE per software. One port can be used a clock source.
- For each ISDN S0 port in NT mode a Phantom power supply can be switched on. The total delivered power is 4W.
- A fallback cut-through relay between ISDN BRI ports 0/0 and 0/1 electrically connects the NT and TE port in case of power failure and enables life-line calls to the public ISDN network (PSTN-supplied ISDN line must be used).
- Standard compliant VoIP in accordance with SIP or H.323 protocols.
- Internet access and IP Routing with IP Quality of Service (QoS) support for mixed voice and data traffic.

The SN4634 is the same as the SN4638 except that it supports 3 ISDN BRI S0 ports and 4 VoIP channels.

### SmartNode 4630 rear panel

The SmartNode 4630 is a compact VoIP Gateway Router that supports eight VoIP calls on five ISDN BRI ports (see [figure 2](#)). The SmartNode 4630 rear panel ports are described in [table 2](#).

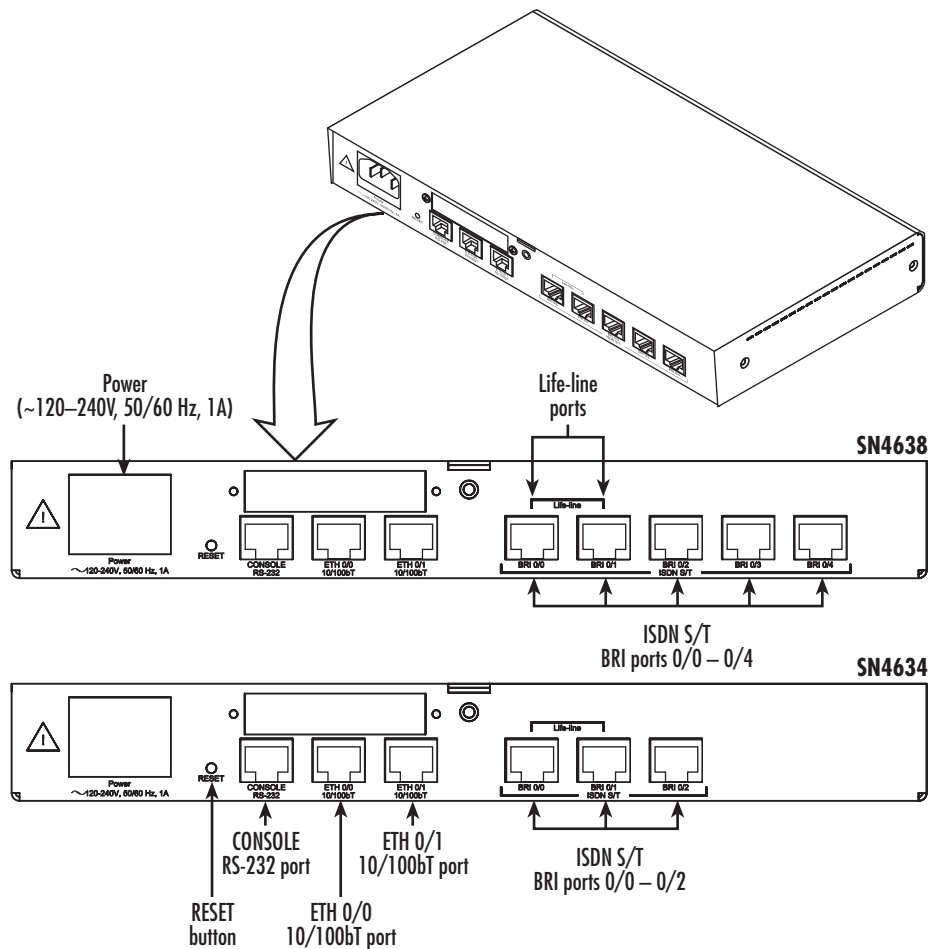


Figure 2. SN4630 rear panel

Table 2. Rear panel ports

Port	Description
<b>WAN ETH 0/0</b>	Auto-MDX Fast-Ethernet port, RJ-45 (see <a href="#">figure 2</a> ), connects the unit to an Ethernet WAN device (for example, a cable modem, DSL modem, or fiber modem).
<b>LAN ETH 0/1</b>	Auto-MDX Fast-Ethernet port, RJ-45 (see <a href="#">figure 2</a> ), connect the unit to an Ethernet LAN (for example, a PC, printer, or wireless bridge).
<b>BRI 0/0</b>	ISDN BRI TE/NT port, RJ-45 socket S0 (S/T) interface (see <a href="#">figure 2</a> ), connects the SmartNode with an ISDN device over an S/T bus, e.g. a PBX or an NT. The interface may be used as fallback if connected to an NT. The port can be switched between TE and NT mode. The interface is internally terminated with 100 Ohm. Point-to-point or point-to-multipoint configurable. If the port is in NT mode a phantom power supply can be switched on to supply connected phones with power.

Table 2. Rear panel ports (Continued)

Port	Description
<b>BRI 0/1</b>	ISDN BRI NT/TE port, RJ-45 socket S0 (S/T) interface (see <a href="#">figure 2</a> ), connects the SmartNode with an ISDN device over an S/T bus, e.g. a PBX or an NT. The interface may be used as fallback if connected to an NT. The port can be switched between TE and NT mode. The interface is internally terminated with 100 Ohm. Point-to-point or point-to-multipoint configurable. If the port is in NT mode a phantom power supply can be switched on to supply connected phones with power.
<b>BRI 0/2</b>	ISDN BRI NT/TE port, RJ-45 socket S0 (S/T) interface (see <a href="#">figure 2</a> ), connects the SmartNode with an ISDN device over an S/T bus, e.g. a PBX or an NT. The port can be switched between TE and NT mode. The interface is internally terminated with 100 Ohm. Point-to-point or point-to-multipoint configurable. If the port is in NT mode a phantom power supply can be switched on to supply connected phones with power.
<b>BRI 0/3</b> (SN4638 only)	ISDN BRI NT/TE port, RJ-45 socket S0 (S/T) interface (see <a href="#">figure 2</a> ), connects the SmartNode with an ISDN device over an S/T bus, e.g. a PBX or an NT. The port can be switched between TE and NT mode. The interface is internally terminated with 100 Ohm. Point-to-point or point-to-multipoint configurable. If the port is in NT mode a phantom power supply can be switched on to supply connected phones with power.
<b>BRI 0/4</b> (SN4638 only)	ISDN BRI NT/TE port, RJ-45 socket S0 (S/T) interface (see <a href="#">figure 2</a> ), connects the SmartNode with an ISDN device over an S/T bus, e.g. a PBX or an NT. The port can be switched between TE and NT mode. The interface is internally terminated with 100 Ohm. Point-to-point or point-to-multipoint configurable. If the port is in NT mode a phantom power supply can be switched on to supply connected phones with power.
<b>Console</b>	Used for service and maintenance, the Console port (see <a href="#">figure 2</a> ), an RS-232 RJ-45 connector, connects the product to a serial terminal such as a PC or ASCII terminal (also called a dumb terminal).
<b>100-240 VAC 50-60 Hz</b>	Electricity supply socket for mains power cable. (see <a href="#">figure 2</a> ).
<b>Reset</b>	<p>The reset button (see <a href="#">figure 2</a>) has three functions:</p> <ul style="list-style-type: none"> <li>• Restart the unit with the current startup configuration—Press (for less than 1 second) and release the <i>Reset</i> button to restart the unit with the current startup configuration.</li> <li>• Restart the unit with factory default configuration—Press the <i>Reset</i> button for 5 seconds until the <i>Power</i> LED (see <a href="#">figure 3</a> on page 17) starts blinking to restart the unit with factory default configuration.</li> <li>• Restart the unit in bootloader mode (to be used only by trained SmartNode technicians)—Starting with the unit powered off, press and hold the <i>Reset</i> button as you apply power to the unit. Release the <i>Reset</i> button when the <i>Power</i> LED starts blinking so the unit will enter bootloader mode.</li> </ul>



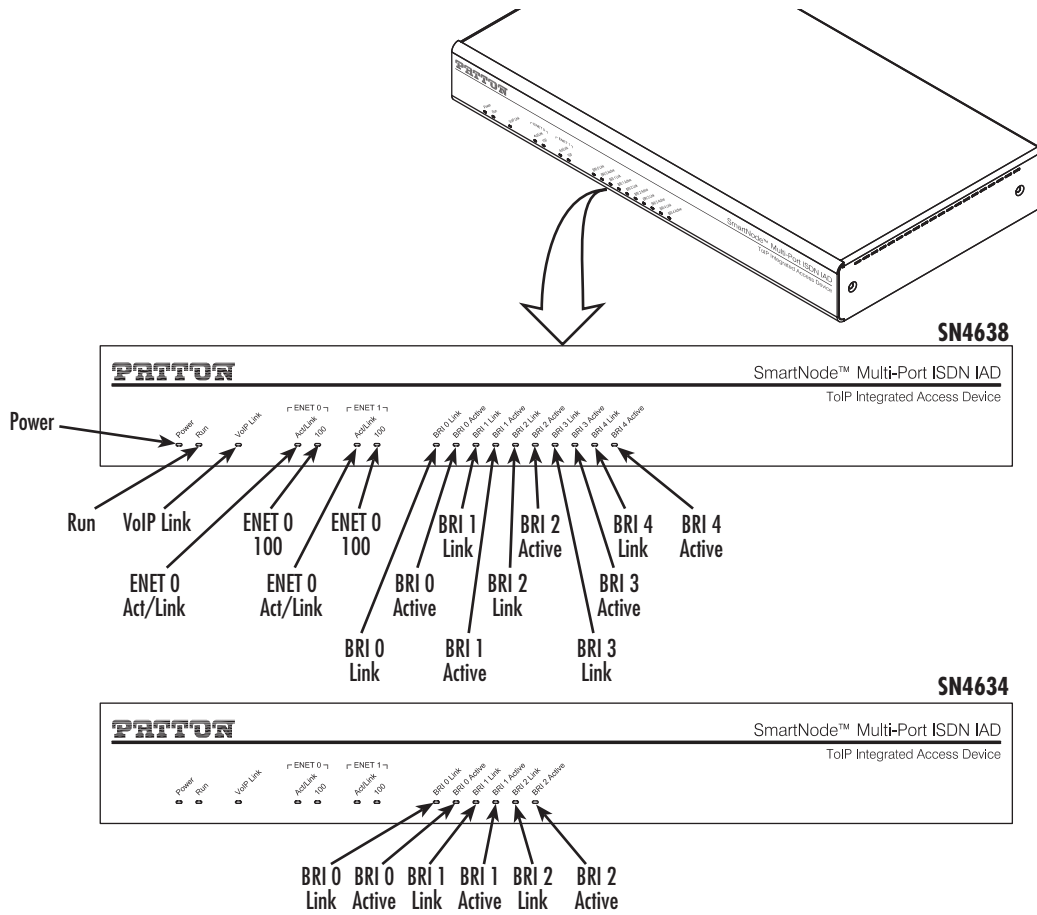


Figure 3. SmartNode 4630 front panel

**SmartNode 4630 front panel**

Figure 3 shows SmartNode 4630 LEDs, the LED definitions are listed in table 3.

Table 3. SmartNode 4630 LED definitions

LED	Description
<b>Note</b>	If an error occurs, all LEDs will flash once per second.
<b>Power</b>	When lit, indicates power is applied.
<b>Run</b>	When lit, the unit is in normal operation. Flashes once per second during boot (startup).

Table 3. SmartNode 4630 LED definitions (Continued)

LED	Description
<b>VoIP Link</b>	<ul style="list-style-type: none"> <li>• On indicates the gateway is registered to an H.323 gatekeeper/SIP server, or, in the case of direct routing, has at least one active VoIP connection.</li> <li>• Off indicates the unit is not configured or registered, or has no active direct-routed VoIP connection.</li> <li>• Flashing green indicates that the unit is attempting to register or has failed to register.</li> </ul>
<b>BRI Link/Sig</b>	On when L1 and L2 are active. Flash to follow signaling activity on D-Channel.
<b>BRI B1/B2</b>	Off indicates no active calls. Blinking when one or two B-channels are connected.
<b>Ethernet Link</b>	<ul style="list-style-type: none"> <li>• On when the Ethernet connection on the corresponding port has a link indication.</li> <li>• Flashes when data is received or transmitted at the corresponding Ethernet port.</li> </ul>
<b>Ethernet 100M</b>	<ul style="list-style-type: none"> <li>• On when the Ethernet is connected to a 100Mb network</li> <li>• Off when the Ethernet is connected to a 10Mb network.</li> </ul>

## Chapter 2 **Applications overview**

---

### **Chapter contents**

Introduction.....	20
Application—Edge intelligence of enterprise communication.....	20
Application—Multi-service ISDN Internet telephony IAD .....	21

## Introduction

Patton's SmartNode VoIP Media Gateway Routers deliver the features you need for advanced multiservice voice and data network applications. They combine high quality voice-over-IP with powerful *quality of service* routing functions to build professional and reliable VoIP and data networks. This chapter describes typical applications for which this SmartNode is uniquely suited.

**Note** Detailed configuration information for SmartNode applications can be found online at [www.patton.com/smartnode](http://www.patton.com/smartnode).

## Application—Edge intelligence of enterprise communication

Enterprises are excited about voice over IP and convergence for the following reasons:

- Bypassing the PSTN. Using Internet telephony service providers (ITSPs) instead of incumbent carriers dramatically reduces telephony costs
- IP PBXs, with their full suite of features and ease of integration into existing IT environments are very appealing
- Convergence lowers technology ownership costs and enables enterprises to deploy new integrated applications

However, there are several concerns about migrating the whole telephony infrastructure to VoIP:

- Loss of voice quality
- Unknown reliability
- Lack of experience/expertise in voice over IP

Patton's SmartNode series of VoIP gateways address these concerns enabling enterprises to safely migrate to VoIP. SmartNodes enable system administrators to gradually introduce VoIP, using it as the edge communication device for all worlds, connecting PSTN, legacy PBX, ITSPs and an IP PBX.



Figure 4. Edge intelligence of enterprise communication application

**How it works:**

1. Connect the SmartNode to the PSTN and legacy PBX, and configure the call router to pass all calls from the PBX to the PSTN and vice versa. This first step will not affect any uses in the enterprise
2. Choose your ITSPs, and configure as many on the SmartNode as you need. Use the intelligent call router in the SmartNode to decide which call is forwarded to which ITSP, and which calls should go to the PSTN. This may be based upon least-cost routing criteria, or for example, on calling party number. The latter is ideal if you want to test calls to an ITSP before enabling it for all users within the enterprise.
3. Voice over IP can be switched off instantly on one single box (the SmartNode) to revert the system back to as it was before.
4. Build up an IP PBX system that uses the SmartNode as PSTN gateway. For all calls from this IP PBX, you can direct them to the PSTN or to ITSPs. Numbering plan adaptations are handled through regular expression matching by the SmartNode. No need to change anything on the PBXs.
5. Once the IP PBX is ready, you can choose on incoming calls from the PSTN, for each extension whether this extension is to be directed to the IP PBX or on the legacy PBX.

## Application—Multi-service ISDN Internet telephony IAD

The SmartNode 4630 Series can be used to make and receive calls to and from the public ISDN network and Internet Telephony services on any ISDN Terminal (Phone or PBX) (see figure 5). Using individually configurable routing tables, an outbound call can be directed to the local PSTN connection or to an Internet telephony service provider (ISTP). Inbound calls from the Internet and the PSTN can ring the same phone.

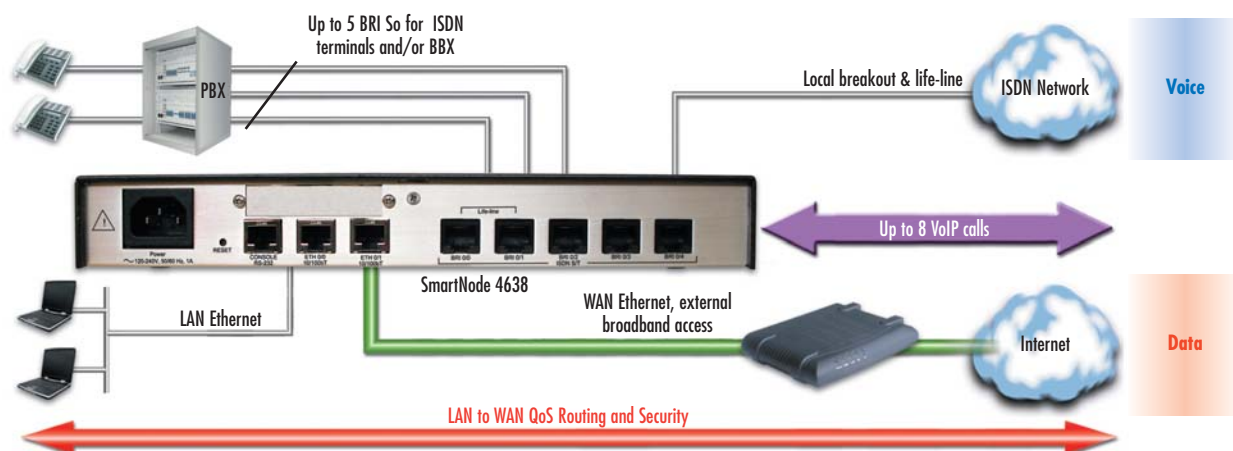


Figure 5. Internet telephony IAD application

Broadband network connectivity integrates with any fixed IP, DHCP or PPPoE service. An integrated 10/100 Ethernet LAN port, with advanced routing features such as NAT, Firewall/ACL, DynDNS as well as optional IPSec VPN, fulfills the requirements of demanding network users.

Quality of Service (QoS) features complete the offering with advanced voice prioritization and traffic management. Patton's patent-pending DownStreamQoS™ ensures voice without interruptions even over best-effort Internet connections.

## Chapter 3 **SmartNode installation**

### **Chapter contents**

Planning the installation .....	23
Site log .....	23
Network information .....	23
Network Diagram .....	23
IP related information .....	23
Software tools .....	24
Power source .....	24
Location and mounting requirements .....	24
Installing the gateway router.....	24
Placing the SmartNode .....	24
Installing cables .....	24
Connecting ISDN terminals and NT to the SmartNode's ISDN BRI ports .....	25
Connecting the 10/100Base-T Ethernet LAN and WAN cables .....	25
Connecting the power supply .....	26
Internal S-Bus power supply .....	26

## Planning the installation

Before installing the gateway router device, the following tasks should be completed:

- Create a **network diagram** (see section “[Network information](#)” on page 23)
- Gather **IP related information** (see section “[IP related information](#)” on page 23 for more information)
- **Install the hardware and software needed to configure the SmartNode.** (See section “[Software tools](#)” on page 24)
- **Verify power source reliability** (see section “[Power source](#)” on page 24).

After you have finished preparing for gateway router installation, go to section “[Installing the gateway router](#)” on page 24 to install the device.

### Site log

Patton recommends that you maintain a site log to record all actions relevant to the system, if you do not already keep such a log. Site log entries should include information such as listed in [table 4](#).

Table 4. Sample site log entries

Entry	Description
Installation	Make a copy of the installation checklist and insert it into the site log
Upgrades and maintenance	Use the site log to record ongoing maintenance and expansion history
Configuration changes	Record all changes and the reasons for them
Maintenance	Schedules, requirements, and procedures performed
Comments	Notes, and problems
Software	Changes and updates to SmartWare software

### Network information

Network connection considerations that you should take into account for planning are provided for several types of network interfaces are described in the following sections.

#### Network Diagram

Draw a network overview diagram that displays all neighboring IP nodes, connected elements and telephony components.

#### IP related information

Before you can set up the basic IP connectivity for your SmartNode 4630 you should have the following information:

- IP addresses used for Ethernet LAN and WAN ports
- Subnet mask used for Ethernet LAN and WAN ports

- IP addresses of central H.323 gatekeeper (if used)
- IP addresses and/or URL of SIP servers or Internet telephony services (if used)
- Login and password for PPPoE Access
- Login and password for SIP or H.323 based telephony services
- IP addresses of central TFTP server used for configuration upload and download (optional)

### Software tools

You will need a PC (or equivalent) with Windows Telnet or a program such as *Tera Term Pro Web* to configure the software on your SmartNode router.

### Power source

If you suspect that your AC power is not reliable, for example if room lights flicker often or there is machinery with large motors nearby, have a qualified professional test the power. Patton recommends that you include an uninterruptible power supply (UPS) in the installation to ensure that VoIP service is not impaired if the power fails.

### Location and mounting requirements

The SmartNode router is intended to be placed on a desktop or similar sturdy, flat surface that offers easy access to the cables. Allow sufficient space at the rear of the chassis for cable connections. Additionally, you should consider the need to access the unit for future upgrades and maintenance.

## Installing the gateway router

SmartNode hardware installation consists of the following:

- Placing the device at the desired installation location (see section “Placing the SmartNode” on page 24)
- Connecting the interface and power cables (see section “Installing cables”)

When you finish installing the SmartNode, go to chapter 4, “Initial configuration” on page 27.

### Placing the SmartNode

Place the unit on a desktop or similar sturdy, flat surface that offers easy access to the cables. The unit should be installed in a dry environment with sufficient space to allow air circulation for cooling.

**Note** For proper ventilation, leave at least 2 inches (5 cm) to the left, right, front, and rear of the unit.

### Installing cables



**Do not work on the system or connect or disconnect cables during periods of lightning activity.**



Connect the cables in the following order:



The interconnecting cables shall be acceptable for external use and shall be rated for the proper application with respect to voltage, current, anticipated temperature, flammability, and mechanical serviceability.

1. Connect the ISDN terminals and NT to the BRI ports (see section “Connecting ISDN terminals and NT to the SmartNode’s ISDN BRI ports”).
2. Connect the 10/100Base-T Ethernet LAN and WAN (see section “Connecting the 10/100Base-T Ethernet LAN and WAN cables” on page 25)
3. Connect the power mains cable (see section “Connecting the power supply” on page 26)

#### Connecting ISDN terminals and NT to the SmartNode’s ISDN BRI ports

The SmartNode comes with five ISDN BRI ports located on the rear panel (see [figure 2](#) on page 15). All ports can be connected to the PSTN (ISDN NT) or terminals.



When this device is used in North America, it shall be connected to a Network Termination Device and not connected directly to an outside POTS line.

**Note** We recommend connecting the PSTN to *BRI 0/0* and a terminal to *BRI 0/1* to benefit from the lifeline function.

For details on the BRI port pinout and ISDN cables, refer to [Appendix C, “Cabling”](#) on page 43 and [Appendix D, “Port pin-outs”](#) on page 47.

#### Connecting the 10/100Base-T Ethernet LAN and WAN cables

The SmartNode 4630 has automatic MDX (auto-crossover) detection and configuration on all Ethernet ports. Any of the ports can be connected to a host or hub/switch with a straight-through wired cable.

1. Connect to the subscriber port of the broadband access modem (DSL, cable, WLL) to *ETH 0/0*.
2. Connect port *ETH 0/1* to your LAN.

For details on the Ethernet port pinout and cables, refer to [Appendix C, “Cabling”](#) on page 43 and [Appendix D, “Port pin-outs”](#) on page 47.

### Connecting the power supply

Do the following to connect the main power to the Model 4630:

**Note** *Do not connect the power cord to the AC power outlet at this time.*

1. Insert the female end of the AC power to the mains port (see [figure 2](#) on page 15).



The internal power supply automatically adjusts to accept an input voltage from 100 to 240 VAC (50/60 Hz).

Verify that the proper voltage is present before plugging the power cord into the receptacle. Failure to do so could result in equipment damage.

2. Verify that the AC power cord included with your router is compatible with local standards. If it is not, refer to “[Contacting Patton for assistance](#)” on page 33 to find out how to replace it with a compatible power cord.
3. Connect the male end of the AC power cord to an appropriate AC power outlet.

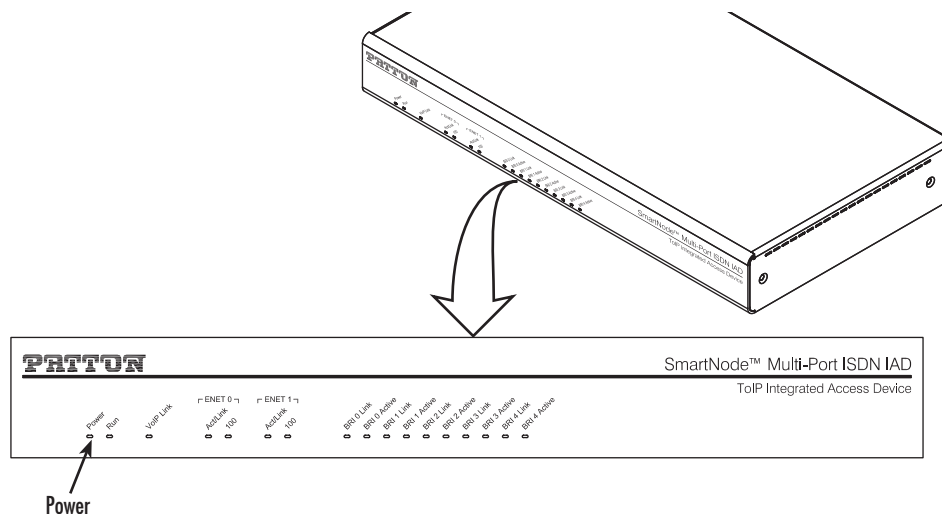


Figure 6. Power LED (SmartNode 4638 shown)

4. Verify that the green *Power* LED is lit (see [figure 6](#)).

### Internal S-Bus power supply

The Model 4630 supplies S-Bus line power on the BRI ports that can be activated individually for each port. If a port is switched to TE mode, line power is switched off. A total of 4W are available.

Congratulations, you have finished installing the SmartNode Gateway Router! Now go to chapter 4, “[Initial configuration](#)” on page 27.

## Chapter 4 **Initial configuration**

### **Chapter contents**

Introduction.....	28
Connecting the SmartNode to your laptop PC.....	28
Configuring the desired IP address .....	29
Factory-default IP settings .....	29
Login .....	29
Changing the WAN IP address .....	29
Connecting the SmartNode to the network.....	30
Loading the configuration (optional).....	31
Additional information.....	32

## Introduction

This chapter leads you through the basic steps to set up a new SmartNode and to download a configuration. Setting up a new SmartNode consists of the following main steps:

**Note** If you haven't already installed the SmartNode, refer to chapter 3, "SmartNode installation" on page 22.

- Connecting the SmartNode to your laptop PC
- Configuring the desired IP address
- Connecting the SmartNode to the network
- Loading the configuration (optional)

## Connecting the SmartNode to your laptop PC

First the SmartNode must be connected to the mains power supply with the power cable. Wait until the *Power* LED stops blinking and stays lit constantly. Now the SmartNode is ready.



The interconnecting cables shall be acceptable for external use and shall be rated for the proper application with respect to voltage, current, anticipated temperature, flammability, and mechanical serviceability.



When this device is used in North America, it shall be connected to a Network Termination Device and not connected directly to an outside POTS line.

The SmartNode 4630 Series is equipped with Auto-MDX Ethernet ports, so you can use straight-through cables for host or hub/switch connections (see figure 7).

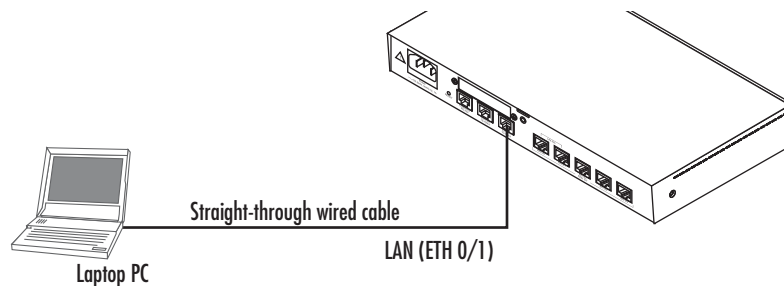


Figure 7. Connecting the SmartNode to your laptop PC

The SmartNode comes with a built-in DHCP server to simplify configuration. Therefore, to automatically configure the PC for IP connectivity to the SmartNode, the laptop PC must be configured for DHCP. The SmartNode will provide the PC with an IP address. You can check the connection to the SmartNode by executing the ping command from the PC command window as follows:

```
ping 192.168.1.1
```

## Configuring the desired IP address

### Factory-default IP settings

The factory default configuration for the Ethernet interface IP addresses and network masks are listed in [table 5](#). Both Ethernet interfaces are activated upon power-up. LAN interface *ETH 0/1 (LAN)* provides a default DHCP server, the WAN interface uses DHCP client to automatically assign the IP address and network mask.

Table 5. Factory default IP address and network mask configuration

	IP Address	Network Mask
<b>WAN interface Ethernet 0 (ETH 0/0)</b>	DHCP	DHCP
<b>LAN interface Ethernet 1 (ETH 0/1)</b>	192.168.1.1	255.255.255.0
<b>DHCP address range</b>	192.168.1.10–192.168.1.19	255.255.255.0

If these addresses match with those of your network, go to section “[Connecting the SmartNode to the network](#)” on page 30. Otherwise, refer to the following sections to change the addresses and network masks.

### Login

To access the SmartNode, start the Telnet application. Type the default IP address for the router into the address field: **192.168.1.1**. Accessing your SmartNode via a Telnet session displays the login screen. Type the factory default login: *administrator* and leave the password empty. Press the *Enter* key after the password prompt.

```
login:administrator
password: <Enter>
192.168.1.1>
```

After you have successfully logged in you are in the operator execution mode, indicated by > as command line prompt. With the commands *enable* and *configure* you enter the configuration mode.

```
192.168.1.1>enable
192.168.1.1#configure
192.168.1.1(cfg)#
```

### Changing the WAN IP address

Select the context IP mode to configure an IP interface.

```
192.168.1.1(cfg)#context ip router
192.168.1.1(ctx-ip)[router]#
```

Now you can set your IP address and network mask for the interface *ETH 0/0* (*WAN*). Within this example a network 172.16.1.0/24 address is assumed. The IP address in this example is set to 172.16.1.99 (you should set this the IP address given to you by your network provider).

```
192.168.1.1(ctx-ip)[router]#interface eth0
192.168.1.1(if-ip)[eth0]#ipaddress 172.16.1.99 255.255.255.0
2002-10-29T00:09:40 : LOGINFO      : Link down on interface eth0.
2002-10-29T00:09:40 : LOGINFO      : Link up on interface eth0.
172.16.1.99(if-ip)[eth0]#
```

Copy this modified configuration to your new start-up configuration. This will store your changes in non-volatile memory. Upon the next start-up the system will initialize itself using the modified configuration.

```
172.16.1.99(if-ip)[eth0]#copy running-config startup-config
172.16.1.99(if-ip)[eth0]#
```

The SmartNode can now be connected to your network.

## Connecting the SmartNode to the network

In general, the SmartNode will connect to the network via the *WAN* (*ETH 0/0*) port. This enables the SmartNode to offer routing services to the PC hosts on *LAN* (*ETH 0/1*) port. The SmartNode 4630 Series is equipped with Auto-MDX Ethernet ports, so you can use straight-through or crossover cables for host or hub/switch connections (see [figure 8](#)).



CAUTION

The interconnecting cables shall be acceptable for external use and shall be rated for the proper application with respect to voltage, current, anticipated temperature, flammability, and mechanical serviceability.



CAUTION

When this device is used in North America, it shall be connected to a Network Termination Device and not connected directly to an outside POTS line.

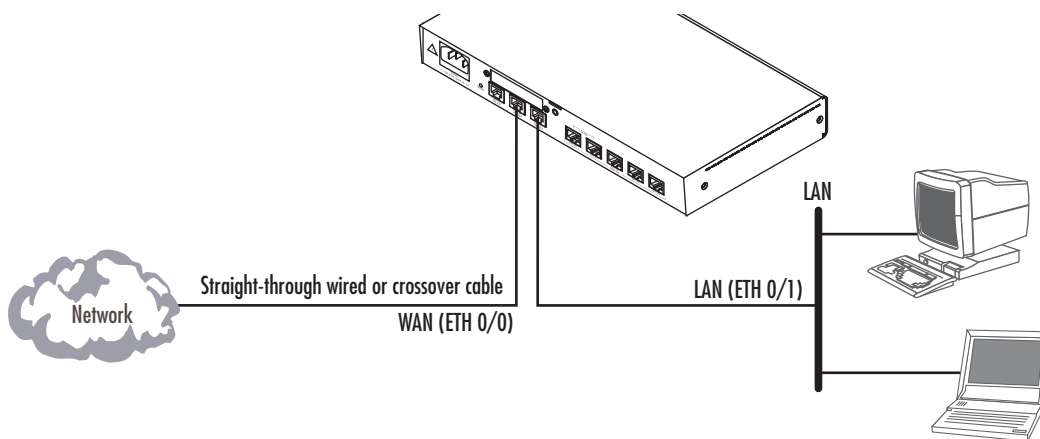


Figure 8. Connecting the SmartNode to the network

You can check the connection with the ping command from the SmartNode to another host on the network.

```
172.16.1.99(if-ip)[eth0]#ping <IP Address of the host>
```

**Note** If the WAN address is *not* set to DHCP, to ping a device outside your local LAN you must first configure the default gateway. (For information on configuring the default gateway, refer to section “Set IP addresses” in Appendix C, “Command Summary” of the *SmartNode Series SmartWare Software Configuration Guide*.)

## Loading the configuration (optional)

Patton provides a collection of configuration templates on the support page at [www.patton.com/smart-node](http://www.patton.com/smart-node)—one of which may be similar enough to your application that you can use it to speed up configuring the SmartNode. Simply download the configuration note that matches your application to your PC. Adapt the configuration as described in the configuration note to your network (remember to modify the IP address) and copy the modified configuration to a TFTP server. The SmartNode can now load its configuration from this server.

**Note** If your application is unique and not covered by any of Patton’s configuration templates, you can manually configure the SmartNode instead of loading a configuration file template. In that case, refer to the *SmartNode Series SmartWare Software Configuration Guide* for information on configuring the SmartNode device.

In this example we assume the TFTP server on the host with the IP address 172.16.1.11 and the configuration named *SN.cfg* in the root directory of the TFTP server.

```
172.16.1.99(if-ip)[eth0]#copy tftp://172.16.1.11/SN.cfg startup-config
Download...100%
172.16.1.99(if-ip)[eth0]#
```

After the SmartNode has been rebooted the new startup configuration will be activated.



When you issue the **reload** command, the SmartNode will ask if you want to copy the running configuration to the startup configuration. Since you just downloaded a configuration file to the startup configuration you must answer this question with **NO**. Otherwise, the downloaded configuration will be overwritten and lost!

```
172.16.1.99(if-ip)[eth0]#reload
Running configuration has been changed.
Do you want to copy the 'running-config' to the 'startup-config'?
Press 'yes' to store, 'no' to drop changes : no
Press 'yes' to restart, 'no' to cancel : yes
The system is going down
```

## Additional information

---

For detailed information about configuring and operating guidance, set up procedures, and troubleshooting, refer to the *SmartNode Series SmartWare Software Configuration Guide* available online at [www.patton.com/manuals](http://www.patton.com/manuals).



# Chapter 5 **Contacting Patton for assistance**

## **Chapter contents**

- Introduction.....34
- Contact information.....34
  - Patton support headquarters in the USA .....34
  - Alternate Patton support for Europe, Middle East, and Africa (EMEA) .....34
- Warranty Service and Returned Merchandise Authorizations (RMAs).....34
  - Warranty coverage .....34
    - Out-of-warranty service .....35
    - Returns for credit .....35
    - Return for credit policy .....35
  - RMA numbers .....35
  - Shipping instructions .....35

## Introduction

---

This chapter contains the following information:

- “Contact information”—describes how to contact Patton technical support for assistance.
- “Warranty Service and Returned Merchandise Authorizations (RMAs)”—contains information about the warranty and obtaining a return merchandise authorization (RMA).

## Contact information

---

Patton Electronics offers a wide array of free technical services. If you have questions about any of our other products we recommend you begin your search for answers by using our technical knowledge base. Here, we have gathered together many of the more commonly asked questions and compiled them into a searchable database to help you quickly solve your problems.

### **Patton support headquarters in the USA**

- Online support: available at [www.patton.com](http://www.patton.com)
- E-mail support: e-mail sent to [support@patton.com](mailto:support@patton.com) will be answered within 1 business day
- Telephone support: standard telephone support is available five days a week—from 8:00 am to 5:00 pm EST (1300 to 2200 UTC/GMT)—by calling +1 (301) 975-1007
- Fax: +1 (253) 663-5693

### **Alternate Patton support for Europe, Middle East, and Africa (EMEA)**

- Online support: available at [www.patton-inalp.com](http://www.patton-inalp.com)
- E-mail support: e-mail sent to [support@patton-inalp.com](mailto:support@patton-inalp.com) will be answered within 1 business day
- Telephone support: standard telephone support is available five days a week—from 8:00 am to 5:00 pm CET (0900 to 1800 UTC/GMT)—by calling +41 (0)31 985 25 55
- Fax: +41 (0)31 985 25 26

## Warranty Service and Returned Merchandise Authorizations (RMAs)

---

Patton Electronics is an ISO-9001 certified manufacturer and our products are carefully tested before shipment. All of our products are backed by a comprehensive warranty program.

**Note** If you purchased your equipment from a Patton Electronics reseller, ask your reseller how you should proceed with warranty service. It is often more convenient for you to work with your local reseller to obtain a replacement. Patton services our products no matter how you acquired them.

### **Warranty coverage**

Our products are under warranty to be free from defects, and we will, at our option, repair or replace the product should it fail within one year from the first date of shipment. Our warranty is limited to defects in workmanship or materials, and does not cover customer damage, lightning or power surge damage, abuse, or unauthorized modification.

### *Out-of-warranty service*

Patton services what we sell, no matter how you acquired it, including malfunctioning products that are no longer under warranty. Our products have a flat fee for repairs. Units damaged by lightning or other catastrophes may require replacement.

### *Returns for credit*

Customer satisfaction is important to us, therefore any product may be returned with authorization within 30 days from the shipment date for a full credit of the purchase price. If you have ordered the wrong equipment or you are dissatisfied in any way, please contact us to request an RMA number to accept your return. Patton is not responsible for equipment returned without a Return Authorization.

### *Return for credit policy*

- Less than 30 days: No Charge. Your credit will be issued upon receipt and inspection of the equipment.
- 30 to 60 days: We will add a 20% restocking charge (crediting your account with 80% of the purchase price).
- Over 60 days: Products will be accepted for repairs only.

### **RMA numbers**

RMA numbers are required for all product returns. You can obtain an RMA by doing one of the following:

- Completing a request on the RMA Request page in the *Support* section at **www.patton.com**
- By calling **+1 (301) 975-1007** and speaking to a Technical Support Engineer
- By sending an e-mail to **returns@patton.com**

All returned units must have the RMA number clearly visible on the outside of the shipping container. Please use the original packing material that the device came in or pack the unit securely to avoid damage during shipping.

### *Shipping instructions*

The RMA number should be clearly visible on the address label. Our shipping address is as follows:

#### **Patton Electronics Company**

RMA#: xxxx

7622 Rickenbacker Dr.

Gaithersburg, MD 20879-4773 USA

Patton will ship the equipment back to you in the same manner you ship it to us. Patton will pay the return shipping costs.

## Appendix A **Compliance information**

### **Chapter contents**

Compliance .....	37
EMC .....	37
Safety .....	37
PSTN Regulatory .....	37
Radio and TV Interference .....	37
CE Declaration of Conformity .....	38
Authorized European Representative .....	38
ISDN compliance.....	38

## Compliance

---

### **EMC**

- FCC Part 15, Class A
- EN55022, Class A
- EN55024

### **Safety**

- UL 60950-1/CSA C22.2 N0. 60950-1
- IEC/EN60950-1
- AS/NZS 60950-1

### **PSTN Regulatory**

- TBR3
- AS/ACIF S031

## Radio and TV Interference

---

The SmartNode router generates and uses radio frequency energy, and if not installed and used properly—that is, in strict accordance with the manufacturer’s instructions—may cause interference to radio and television reception. The SmartNode router have been tested and found to comply with the limits for a Class A computing device in accordance with specifications in Subpart B of Part 15 of FCC rules, which are designed to provide reasonable protection from such interference in a commercial installation. However, there is no guarantee that interference will not occur in a particular installation. If the SmartNode router does cause interference to radio or television reception, which can be determined by disconnecting the unit, the user is encouraged to try to correct the interference by one or more of the following measures: moving the computing equipment away from the receiver, re-orienting the receiving antenna and/or plugging the receiving equipment into a different AC outlet (such that the computing equipment and receiver are on different branches).

## CE Declaration of Conformity

---

This equipment conforms to the requirements of Council Directive 1999/5/EC on the approximation of the laws of the member states relating to Radio and Telecommunication Terminal Equipment and the mutual recognition of their conformity.

The safety advice in the documentation accompanying this product shall be obeyed. The conformity to the above directive is indicated by CE sign on the device.

The signed Declaration of Conformity can be downloaded at [www.patton.com/certifications](http://www.patton.com/certifications).

## Authorized European Representative

---

D R M Green  
European Compliance Services Limited.  
Avalon House, Marcham Road  
Abingdon,  
Oxon OX14 1UD, UK

## ISDN compliance

---

The device is approved for connection to the public ISDN telecommunication network.



When this device is used in North America, it shall be connected to a Network Termination Device and not connected directly to an outside POTS line.

## Appendix B **Specifications**

### **Chapter contents**

DSP.....	40
Voice connectivity .....	40
Data connectivity .....	40
Voice processing (signalling dependent) .....	40
Fax and modem support.....	41
Voice signalling .....	41
Voice routing—session router.....	41
IP services.....	42
Management .....	42
System .....	42
Physical .....	42

**Note** Refer to the software feature matrix for the most up-to-date specifications.

## DSP

---

One or two 4-channel DSP

## Voice connectivity

---

3 or 5 ISDN BRI S0 (S/T), 4-wire RJ45 ports

NT/TE configurable per port

Point-to-point, point-to-multipoint configurable

Life-line bypass relay between *BRI 0/0* and *BRI 0/1* ports

ISDN line power can be switched on per software per port

## Data connectivity

---

Two 10/100Base-TX Ethernet ports

All ports full duplex, autosensing, auto-MDX

## Voice processing (signalling dependent)

---

Four or eight full-duplex channels with Voice CODECS:

- G.711 A-Law/ -Law (64 kbps)
- G.726 (ADPCM 16, 24, 32, 40 kbps)
- G.723.1 (5.3 or 6.3 kbps)
- G.729ab (8 kbps)
- Transparent ISDN data

G.168 echo cancellation (25 ms)

Four or eight simultaneous low-bandwidth voice or T.38 fax calls

DTMF detection and generation

Carrier tone detection and generation

Silence suppression and comfort noise

Adaptive and configurable dejitter buffer

Configurable tones (dial, ringing, busy)

Configurable transmit packet length

RTP/RTCP (RFC 1889)



## Fax and modem support

---

Automatic fax and modem detection

Codec fallback for modem-bypass

T.38 Fax-Relay (Gr. 3 Fax, 9.6 k, 14.4 k)

G.711 Fax-Bypass

## Voice signalling

---

SIPv2

H.323v4

MGCP/IUA

SIP call transfer, redirect

Overlap or en-bloc dialing

DTMF in-band, out-of-band

Configurable progress tones

## Voice routing—session router

---

Local switching (hairpinning)

Least cost routing

Interface huntgroups

Call-Distribution groups

Number blocking

Call Routing Criteria:

- Interface
- Calling/called party number
- Time of day, day of week, date
- ISDN bearer capability
- Various other information elements (IEs) of the ISDN setup
- Wildcard and regular expression matching

Regular expression number manipulation functions:

- Replace numbers
- Add/remove digits
- Pattern matching and replacement

## IP services

---

IPv4 router; RIPv1, v2 (RFC 1058 and 2453)

Programmable static routes

ICMP redirect (RFC 792); Packet fragmentation

DiffServe/ToS set or queue per header bits

Pocket Policing discards excess traffic

802.1p VLAN tagging

IPSEC AH & ESP Modes

Manual Key; IKE optional

AES/DES/3DES Encryption

**Note** To use the IPsec VPN capabilities including AES/DES/3DES encryption with the SmartNode 4630, you may need to purchase additional license keys.

## Management

---

Web-based GUI

Industry standard CLI with remote Telnet access, fully documented

HTTP web management and firmware loading

TFTP configuration & firmware loading

SNMP v1 agent (MIB II and private MIB)

Built-in diagnostic tools (trace, debug)

Secure Auto-provisioning

## System

---

CPU Motorola MC875 operating at 66 MHz

Memory:

- 32 Mbytes SDRAM
- 8 Mbytes Flash

## Physical

---

**Dimensions:** 11W x 1.5H x 6.2D inch (280W x 39H x 157D mm)

**Weight:** <21 oz. (<600g)

**Power Consumption:** < 10W

**Operating temperature:** 32–104°F (0–40°C)

**Operating humidity:** up to 90%, non condensing

# Appendix C **Cabling**

---

## **Chapter contents**

Introduction.....	44
Console.....	44
Ethernet.....	45
ISDN BRI.....	46

## Introduction

This section provides information on the cables used to connect the SmartNode and the interface cards to the existing network infrastructure and to third party products.

## Console

The SmartNode can be connected to a serial terminal over its serial console port, as depicted in [figure 9](#).



CAUTION

The interconnecting cables shall be acceptable for external use and shall be rated for the proper application with respect to voltage, current, anticipated temperature, flammability, and mechanical serviceability.



CAUTION

When this device is used in North America, it shall be connected to a Network Termination Device and not connected directly to an outside POTS line.

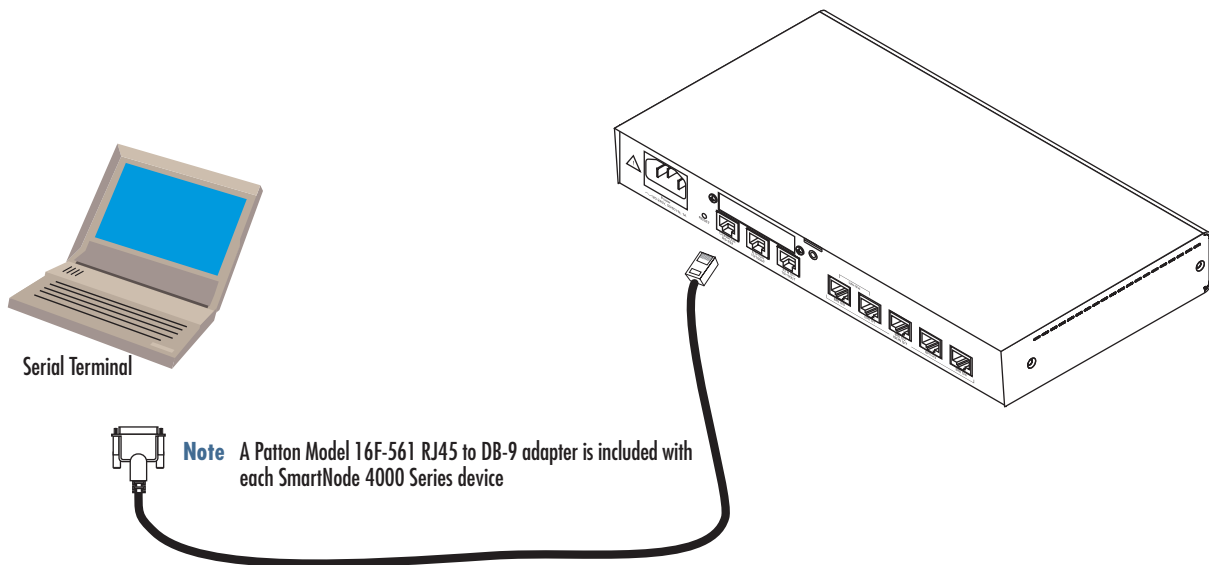


Figure 9. Connecting a serial terminal

**Note** See section “[Console port](#)” on page 48 for console port pin-outs.

## Ethernet

Ethernet devices (10Base-T/100Base-T) are connected to the SmartNode over a cable with RJ-45 plugs. All Ethernet ports on the SN4630 are Auto-MDX use any straight or crossover cable to connect to hubs, switches, PCs or other devices.



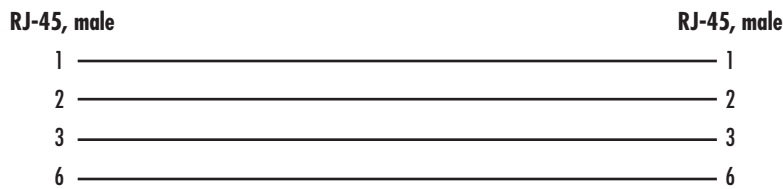
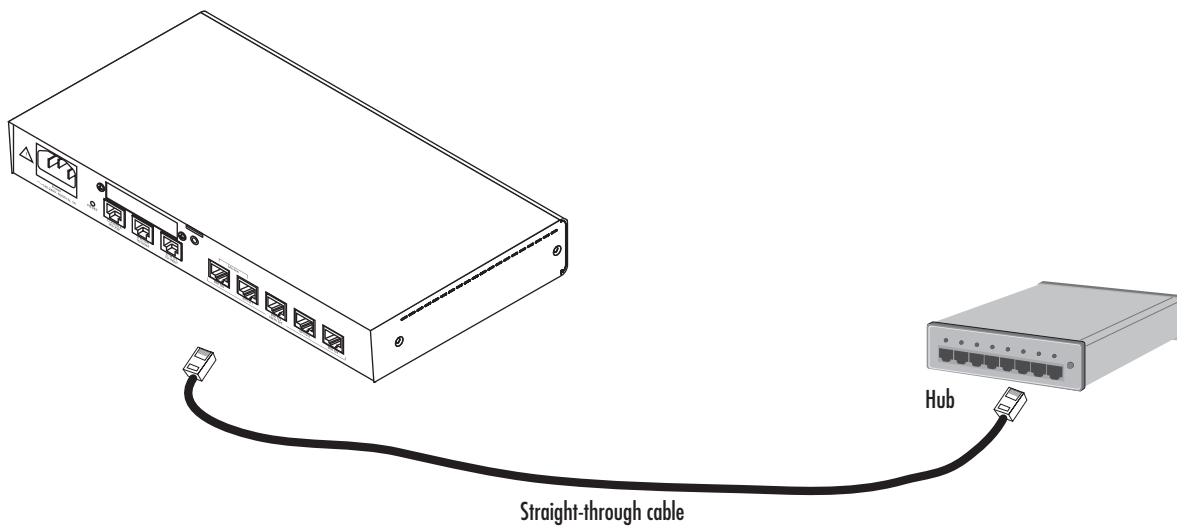
CAUTION

The interconnecting cables shall be acceptable for external use and shall be rated for the proper application with respect to voltage, current, anticipated temperature, flammability, and mechanical serviceability.



CAUTION

When this device is used in North America, it shall be connected to a Network Termination Device and not connected directly to an outside POTS line.



**Note:** Other pins are not used.

Figure 10. Typical Ethernet straight-through cable diagram

## ISDN BRI

The ISDN ports are connected to ISDN terminals (Phones/PBXs) or an ISDN NT using cables terminated with RJ-45 connectors. Use straight-through cables to connect to the S/T port of your NT or phones/PBX.



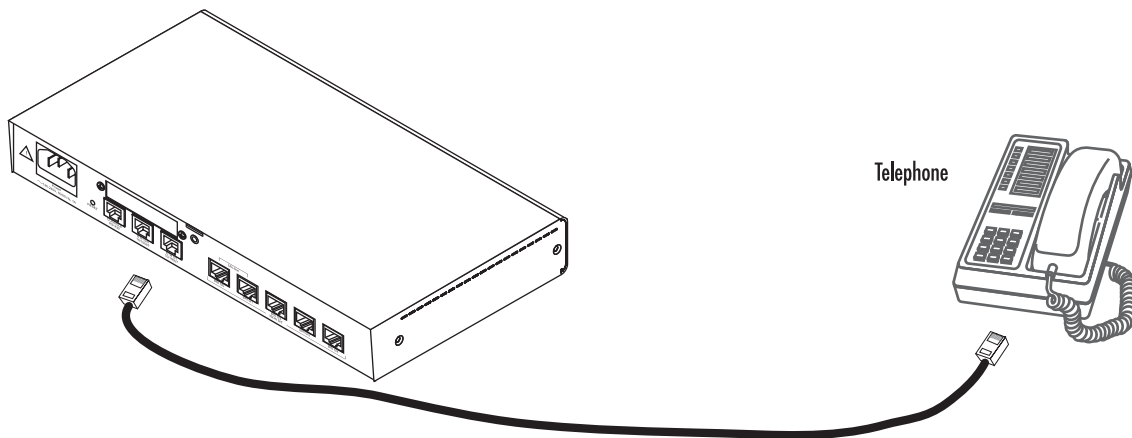
CAUTION

The interconnecting cables shall be acceptable for external use and shall be rated for the proper application with respect to voltage, current, anticipated temperature, flammability, and mechanical serviceability.

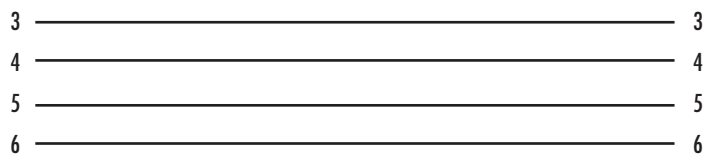


CAUTION

When this device is used in North America, it shall be connected to a Network Termination Device and not connected directly to an outside POTS line.



RJ-45, male



RJ-45, male

**Note:** Other pins are not used.

Figure 11. Connecting an ISDN device

## Appendix D **Port pin-outs**

---

### **Chapter contents**

Introduction.....	48
Console port.....	48
Ethernet .....	48
ISDN BRI 0/0 (NT/Net or TE/User) port.....	48
ISDN BRI 0/1 .. 0/3 (TE/Usr or NT/Net).....	49

## Introduction

This section provides pin-out information for the ports of the SmartNode.

## Console port

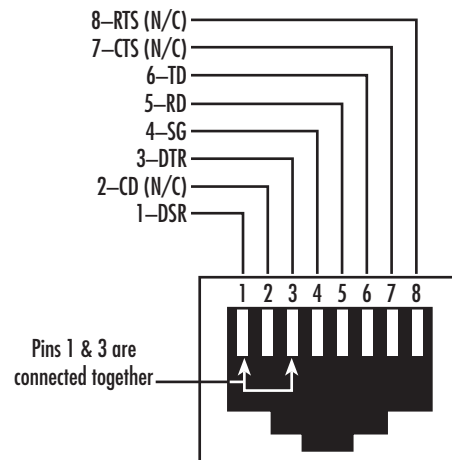


Figure 12. EIA-561 (RJ-45 8-pin) port

**Note** *N/C* means no internal electrical connection.

## Ethernet

Table 6. RJ-45 socket

Pin	Signal
1	TX+
2	TX-
3	RX+
6	RX-

**Note** Pins not listed are not used.

## ISDN BRI 0/0 (NT/Net or TE/User) port

The BRI phone port uses an 8-pin RJ-45 connector (the pinout is shown in [table 7](#)).

Table 7. RJ-45 socket

Pin	Signal
3	Rx+
4	Tx+
5	Tx-
6	Rx-



**Note** Pins not listed are not used.

**Note** All pins between the *port BRI 0/0* and *the port BRI 0/1* are connected during power failure. Fallback relay operation:

- When the unit is not powered, the fallback relay connects pins 3, 4, 5, and 6 of the net and the user ports (fallback) together. This enables you to place calls to the PSTN even if the unit is powered down.
- Line power applied to the *Line* port is fed through to the *Phone* port at all times and independent of the fallback relay's status.

**Note** On each ISDN BRI port in TE mode, it is possible to switch on ISDN line power per software. The total amount of power is 4W. If a ISDN BRI port is switched to NT mode, the ISDN line power is turned off.

## ISDN BRI 0/1 .. 0/3 (TE/Usr or NT/Net)

The BRI *Line* port uses an 8-pin RJ-45 connector (the pinout is shown in [table 7](#)).

Table 8. RJ-45 socket

Pin	Signal
3	Rx+
4	Tx+
5	Tx-
6	Rx-

**Note** All pins between the *port BRI 0/0* and *port BRI 0/1* ports are connected during power failure.

**Note** On each ISDN BRI port in TE mode, it is possible to switch on ISDN line power per software. The total amount of power is 4W. If a ISDN BRI port is switched to NT mode, the ISDN line power is turned off.

# Appendix E **SmartNode 4630 factory configuration**

---

## **Chapter contents**

Introduction .....	51
--------------------	----

## Introduction

---

The factory configuration settings for SmartNode 4630 are as follows:

```
#-----#
#
# 4110/4520/4630 Series
# R3.xx BUILDxxxxx
# 2005-01-18T00:00:00
# Factory configuration file
#
#-----#

profile napt NAPT

profile dhcp-server DHCP
  network 192.168.1.0 255.255.255.0
  include 192.168.1.10 192.168.1.19
  lease 2 hours
  default-router 192.168.1.1

context ip router

  interface eth0
    ipaddress 172.16.40.1 255.255.0.0
    use profile napt NAPT

  interface eth1
    ipaddress 192.168.1.1 255.255.255.0

context ip router
  dhcp-server use DHCP

port ethernet 0 0
  encapsulation ip
  bind interface eth0 router
  no shutdown

port ethernet 0 1
  encapsulation ip
  bind interface eth1 router
  no shutdown
```

# Appendix F **End user license agreement**

## **Chapter contents**

- End User License Agreement ..... 53
  - 1. Definitions ..... 53
  - 2. Title ..... 53
  - 3. Term ..... 53
  - 4. Grant of License ..... 53
  - 5. Warranty ..... 53
  - 6. Termination ..... 54
  - 7. Other licenses ..... 54

## End User License Agreement

---

By opening this package, operating the Designated Equipment or downloading the Program(s) electronically, the End User agrees to the following conditions:

### 1. Definitions

- A) *Effective Date* shall mean the earliest date of purchase or download of a product containing the Patton Electronics Company Program(s) or the Program(s) themselves.
- B) *Program(s)* shall mean all software, software documentation, source code, object code, or executable code.
- C) *End User* shall mean the person or organization which has valid title to the Designated Equipment.
- D) *Designated Equipment* shall mean the hardware on which the Program(s) have been designed and provided to operate by Patton Electronics Company.

### 2. Title

Title to the Program(s), all copies of the Program(s), all patent rights, copyrights, trade secrets and proprietary information in the Program(s), worldwide, remains with Patton Electronics Company or its licensors.

### 3. Term

The term of this Agreement is from the Effective Date until title of the Designated Equipment is transferred by End User or unless the license is terminated earlier as defined in section “6. Termination” on page 54.

### 4. Grant of License

- A) During the term of this Agreement, Patton Electronics Company grants a personal, non-transferable, non-assignable and non-exclusive license to the End User to use the Program(s) only with the Designated Equipment at a site owned or leased by the End User.
- B) The End User may copy licensed Program(s) as necessary for backup purposes only for use with the Designated Equipment that was first purchased or used or its temporary or permanent replacement.
- C) The End User is prohibited from disassembling; decompiling, reverse-engineering or otherwise attempting to discover or disclose the Program(s), source code, methods or concepts embodied in the Program(s) or having the same done by another party.
- D) Should End User transfer title of the Designated Equipment to a third party after entering into this license agreement, End User is obligated to inform the third party in writing that a separate End User License Agreement from Patton Electronics Company is required to operate the Designated Equipment.

### 5. Warranty

The Program(s) are provided *as is* without warranty of any kind. Patton Electronics Company and its licensors disclaim all warranties, either express or implied, including but not limited to the implied warranties of merchantability, fitness for a particular purpose or non-infringement. In no event shall Patton Electronics Company or its licensors be liable for any damages whatsoever (including, without limitation, damages for loss of business profits, business interruption, loss of business information, or other pecuniary loss) arising out of the use of or inability to use the Program(s), even if Patton Electronics Company has been advised of the possibility of such damages. Because some states do not allow the exclusion or limitation of liability for consequential or incidental damages, the above limitation may not apply to you.

If the Program(s) are acquired by or on behalf of a unit or agency of the United States Government, the Government agrees that such Program(s) are *commercial computer software* or *computer software documentation* and that, absent a written agreement to the contrary, the Government's rights with respect to such Program(s) are limited by the terms of this Agreement, pursuant to Federal Acquisition Regulations 12.212(a) and/or DEARS 227.7202-1(a) and/or sub-paragraphs (a) through (d) of the "Commercial Computer Software - Restricted Rights" clause at 48 C.F.R. 52.227-19 of the Federal Acquisition Regulations as applicable.

## 6. Termination

- A) The End User may terminate this agreement by returning the Designated Equipment and destroying all copies of the licensed Program(s).
- B) Patton Electronics Company may terminate this Agreement should End User violate any of the provisions of section "4. Grant of License" on page 53.
- C) Upon termination for A or B above or the end of the Term, End User is required to destroy all copies of the licensed Program(s)

## 7. Other licenses

The Program may be subject to licenses extended by third parties. Accordingly, Patton Electronics Company licenses the Programs subject to the terms and conditions dictated by third parties. Third party software identified to the Programs includes:

- A routing license is included at no charge.
- MGCP and VPN capabilities will require the purchase of an additional license.
- The LGPL (Lesser General Public License) open source license distributed to you pursuant to the LGPL license terms (<http://www.gnu.org/licenses/lgpl.html>).
- RedBoot (Red Hat Embedded Debug and Bootstrap) embedded system debug/bootstrap environment from Red Hat distributed to you pursuant to the eCos license terms (<http://ecos.sourceware.org/license-overview.html>) and GNU General Public License (GPL) terms (<http://www.gnu.org/copyleft/gpl.html>). Source code is available upon request.