



BitStorm® 4800 Express

Model 4821-A2

Installation Guide

Document No. 4821-A2-GN21-10

July 2004

Copyright © 2004 Paradyne Corporation.
All rights reserved.
Printed in U.S.A.

Notice

This publication is protected by federal copyright law. No part of this publication may be copied or distributed, transmitted, transcribed, stored in a retrieval system, or translated into any human or computer language in any form or by any means, electronic, mechanical, magnetic, manual or otherwise, or disclosed to third parties without the express written permission of Paradyne Corporation, 8545 126th Ave. N., Largo, FL 33773.

Paradyne Corporation makes no representation or warranties with respect to the contents hereof and specifically disclaims any implied warranties of merchantability or fitness for a particular purpose. Further, Paradyne Corporation reserves the right to revise this publication and to make changes from time to time in the contents hereof without obligation of Paradyne Corporation to notify any person of such revision or changes.

Changes and enhancements to the product and to the information herein will be documented and issued as a new release to this manual.

Warranty, Sales, Service, and Training Information

Contact your local sales representative, service representative, or distributor directly for any help needed. For additional information concerning warranty, sales, service, repair, installation, documentation, training, distributor locations, or Paradyne worldwide office locations, use one of the following methods:

- **Internet:** Visit the Paradyne World Wide Web site at www.paradyne.com. (Be sure to register your warranty at www.paradyne.com/warranty.)
- **Telephone:** Call our automated system to receive current information by fax or to speak with a company representative.
 - Within the U.S.A., call 1-800-870-2221
 - Outside the U.S.A., call 1-727-530-2340

Document Feedback

We welcome your comments and suggestions about this document. Please mail them to Technical Publications, Paradyne Corporation, 8545 126th Ave. N., Largo, FL 33773, or send e-mail to userdoc@paradyne.com. Include the number and title of this document in your correspondence. Please include your name and phone number if you are willing to provide additional clarification.

Trademarks

ACCULINK, BitStorm, COMSPHERE, FrameSaver, Hotwire, Jetstream, MVL, NextEDGE, OpenLane, Performance Wizard are registered trademarks of Paradyne Corporation. EtherLoop, GranDSLAM, GrandVIEW, iMarc, ReachDSL, StormTracker, and TruePut are trademarks of Paradyne Corporation. All other products and services mentioned herein are the trademarks, service marks, registered trademarks, or registered service marks of their respective owners.

Software and Firmware License Agreement

ONCE YOU HAVE READ THIS LICENSE AGREEMENT AND AGREE TO ITS TERMS, YOU MAY USE THE SOFTWARE AND/OR FIRMWARE INCORPORATED INTO THE PARADYNE PRODUCT. BY USING THE PARADYNE PRODUCT YOU SHOW YOUR ACCEPTANCE OF THE TERMS OF THIS LICENSE AGREEMENT.

IN THE EVENT THAT YOU DO NOT AGREE WITH ANY OF THE TERMS OF THIS LICENSE AGREEMENT, PROMPTLY RETURN THE UNUSED PRODUCT IN ITS ORIGINAL PACKAGING AND YOUR SALES RECEIPT OR INVOICE TO THE LOCATION WHERE YOU OBTAINED THE PARADYNE PRODUCT OR THE LOCATION FROM WHICH IT WAS SHIPPED TO YOU, AS APPLICABLE, AND YOU WILL RECEIVE A REFUND OR CREDIT FOR THE PARADYNE PRODUCT PURCHASED BY YOU.

The terms and conditions of this License Agreement (the "Agreement") will apply to the software and/or firmware (individually or collectively the "Software") incorporated into the Paradyne product (the "Product") purchased by you and any derivatives obtained from the Software, including any copy of either. If you have executed a separate written agreement covering the Software supplied to you under this purchase, such separate written agreement shall govern.

Paradyne Corporation ("Paradyne") grants to you, and you ("Licensee") agree to accept a personal, non-transferable, non-exclusive, right (without the right to sublicense) to use the Software, solely as it is intended and solely as incorporated in the Product purchased from Paradyne or its authorized distributor or reseller under the following terms and conditions:

1. **Ownership:** The Software is the sole property of Paradyne and/or its licensors. The Licensee acquires no title, right or interest in the Software other than the license granted under this Agreement.
2. Licensee shall not use the Software in any country other than the country in which the Product was rightfully purchased except upon prior written notice to Paradyne and an agreement in writing to additional terms.
3. The Licensee shall not reverse engineer, decompile or disassemble the Software in whole or in part.
4. The Licensee shall not copy the Software except for a single archival copy.
5. Except for the Product warranty contained in the manual, the Software is provided "AS IS" and in its present state and condition and Paradyne makes no other warranty whatsoever with respect to the Product purchased by you. **THIS AGREEMENT EXPRESSLY EXCLUDES ALL OTHER WARRANTIES, WHETHER EXPRESS OR IMPLIED, OR ORAL OR WRITTEN, INCLUDING WITHOUT LIMITATION:**
 - a. Any warranty that the Software is error-free, will operate uninterrupted in your operating environment, or is compatible with any equipment or software configurations; and
 - b. **ANY AND ALL IMPLIED WARRANTIES, INCLUDING WITHOUT LIMITATION IMPLIED WARRANTIES OF MERCHANTABILITY, FITNESS FOR A PARTICULAR PURPOSE AND NON-INFRINGEMENT.**

Some states or other jurisdictions do not allow the exclusion of implied warranties on limitations on how long an implied warranty lasts, so the above limitations may not apply to you. This warranty gives you specific legal rights, and you may also have other rights which vary from one state or jurisdiction to another.

6. In no event will Paradyne be liable to Licensee for any consequential, incidental, punitive or special damages, including any lost profits or lost savings, loss of business information or business interruption or other pecuniary loss arising out of the use or inability to use the Software, whether based on contract, tort, warranty or other legal or equitable grounds, even if Paradyne has been advised of the possibility of such damages, or for any claim by any third party.

-
7. The rights granted under this Agreement may not be assigned, sublicensed or otherwise transferred by the Licensee to any third party without the prior written consent of Paradyne.
 8. This Agreement and the license granted under this Agreement shall be terminated in the event of breach by the Licensee of any provisions of this Agreement.
 9. Upon such termination, the Licensee shall refrain from any further use of the Software and destroy the original and all copies of the Software in the possession of Licensee together with all documentation and related materials.

This Agreement shall be governed by the laws of the State of Florida, without regard to its provisions concerning conflicts of laws.

Important Safety Instructions

1. Read and follow all warning notices and instructions marked on the product or included in the manual.
2. This product is intended to be used with a 3-wire grounding type plug — a plug that has a grounding pin. This is a safety feature. Equipment grounding is vital to ensure safe operation. Do not defeat the purpose of the grounding type plug by modifying the plug or using an adapter. Prior to installation, use an outlet tester or a voltmeter to check the AC receptacle for the presence of earth ground. If the receptacle is not properly grounded, the installation must not continue until a qualified electrician has corrected the problem.

If a 3-wire grounding type power source is not available, consult a qualified electrician to determine another method of grounding the equipment.
3. Slots and openings in the cabinet are provided for ventilation. To ensure reliable operation of the product and to protect it from overheating, these slots and openings must not be blocked or covered.
4. Do not allow anything to rest on the power cord and do not locate the product where persons will walk on the power cord.
5. Do not attempt to service this product yourself, as it will void the warranty. Opening or removing covers may expose you to dangerous high voltage points or other risks. Refer all servicing to qualified service personnel.
6. General purpose cables are described for use with this product. Special cables, which may be required by the regulatory inspection authority for the installation site, are the responsibility of the customer. To reduce the risk of fire, use a UL Listed or CSA Certified, minimum No. 26 AWG (0.128 mm²) telecommunication cable, or comparable cables certified for use in the country of installation.
7. When installed in the final configuration, the product must comply with the applicable Safety Standards and regulatory requirements of the country in which it is installed. If necessary, consult with the appropriate regulatory agencies and inspection authorities to ensure compliance.
8. A rare phenomenon can create a voltage potential between the earth grounds of two or more buildings. If products installed in separate buildings are interconnected, the voltage potential may cause a hazardous condition. Consult a qualified electrical consultant to determine whether or not this phenomenon exists and, if necessary, implement corrective action prior to interconnecting the products.
9. In addition, if the equipment is to be used with telecommunications circuits, take the following precautions:
 - Never install telephone wiring during a lightning storm.
 - Never install telephone jacks in wet locations unless the jack is specifically designed for wet locations.
 - Never touch uninsulated telephone wires or terminals unless the telephone line has been disconnected at the network interface.
 - Use caution when installing or modifying telephone lines.
 - Avoid using a telephone (other than a cordless type) during an electrical storm. There may be a remote risk of electric shock from lightning.
 - Do not use the telephone to report a gas leak in the vicinity of the leak.

-
10. **CLASS 1 LASER PRODUCT:** This product has provisions for the customer to install a Class 1 laser transceiver, which provides optical coupling to the telecommunication network. Once a Class 1 laser product is installed, the equipment is to be considered to be a Class 1 Laser Product (Appareil à Laser de Classe 1). The customer is responsible for selecting and installing the laser transceiver and for insuring that the Class 1 AEL (Allowable Emission Limit) per EN/IEC 60825 is not exceeded after the laser transponders have been installed. Do not install laser products whose class rating is greater than 1. Refer to all important safety instructions that accompanied the transceiver prior to installation. Only laser Class 1 devices, certified for use in the country of installation by the cognizant agency are to be utilized in this product.
 11. The equipment is intended for installation in a max. 50° C ambient temperature, in an environment that is free of dust and dirt.
 12. The power supply cord for countries other than North America is to be a minimum H05 V V-F type, min. 0.75 mm², 2-conductor and earth ground terminated in an IEC 320 connector on one end, and a plug which is certified for use in the country of installation at the other end.
 13. Do not physically stack more than eight (8) 26x1 units high. Physical stability has not been evaluated for stacking higher than eight units, and any configuration greater than eight may result in an unstable (tip-over) condition. Ensure that the four (4) rubber feet supplied with the product have been installed on the bottom of each unit prior to stacking any 26x1 units on top of one another.

EMI Notices

UNITED STATES – EMI NOTICE:

This equipment has been tested and found to comply with the limits for a Class A digital device, pursuant to Part 15 of the FCC rules. These limits are designed to provide reasonable protection against harmful interference when the equipment is operated in a commercial environment. This equipment generates, uses, and can radiate radio frequency energy and, if not installed and used in accordance with the instruction manual, may cause harmful interference to radio communications. Operation of this equipment in a residential area is likely to cause harmful interference in which case the user will be required to correct the interference at his own expense.

The authority to operate this equipment is conditioned by the requirements that no modifications will be made to the equipment unless the changes or modifications are expressly approved by Paradyne Corporation.

If the equipment includes a ferrite choke or chokes, they must be installed per the installation instructions.

CANADA – EMI NOTICE:

This Class A digital apparatus meets all requirements of the Canadian interference-causing equipment regulations.

Cet appareil numérique de la classe A respecte toutes les exigences du règlement sur le matériel brouilleur du Canada.

Notices to Users of the Canadian Telephone Network

NOTICE: This equipment meets the applicable Industry Canada Terminal Equipment Technical Specifications. This is confirmed by the registration number. The abbreviation IC before the registration number signifies that registration was performed based on a Declaration of Conformity indicating that Industry Canada technical specifications were met. It does not imply that Industry Canada approved the equipment.

NOTICE: The Ringer Equivalence Number (REN) for this terminal equipment is labeled on the equipment. The REN assigned to each terminal equipment provides an indication of the maximum number of terminals allowed to be connected to a telephone interface. The termination on an interface may consist of any combination of devices subject only to the requirement that the sum of the Ringer Equivalence Numbers of all the devices does not exceed five.

When the equipment is used in a customer premises environment, a Model 6051 POTS Splitter must be used to ensure CS-03 compliance. Refer to the POTS splitter installation instructions for details.

CE Marking

When the product is marked with the CE mark on the equipment label, a supporting Declaration of Conformity may be downloaded from the Paradyne World Wide Web site at www.paradyne.com. Select *Library* → *Technical Manuals* → *CE Declarations of Conformity*.

Japan

Class A ITE

<p>この装置は、情報処理装置等電波障害自主規制協議会（VCCI）の基準に基づくクラス A 情報技術装置です。この装置を家庭環境で使用すると電波妨害を引き起こすことがあります。この場合には使用者が適切な対策を講ずるよう要求されることがあります。</p>
--

This is a Class A product based on the standard of the Voluntary Control Council for interference by Information Technology Equipment (VCCI). If this equipment is used in a domestic environment, radio disturbance may arise. When such trouble occurs, the user may be required to take corrective actions.

Contents

About This Guide

■ Document Purpose and Intended Audience	iii
■ Document Summary	iii
■ Related Product Documents	iv

1 Installation

■ Overview	1-1
■ Preparation	1-2
■ Cables Required	1-3
■ Unpacking the Hardware	1-4
■ Package Contents	1-4
■ Mounting Configurations	1-6
■ Mounting Brackets	1-6
■ Installing the Brackets for Rack Mounting	1-6
■ Installing the BitStorm 4800 Express Into a Rack	1-8
■ Installing the BitStorm 4800 Express on a Wall	1-10
■ Installing the BitStorm 4800 Express on a Shelf or Desktop	1-12

2 Cabling

■ Cabling Overview	2-1
■ DSL Ports	2-2
■ 10/100BaseT Uplink (Port 2)	2-3
■ Management Port	2-4
■ Console Port	2-5
Connecting a Terminal or PC to the Console Port	2-5
Connecting a Modem to the Console Port	2-6
■ Ground	2-7
■ Connecting to Power	2-8

3 LEDs

■ LED Locations	3-1
■ LED Meanings	3-2

4 Configuration

■ Overview	4-1
■ Using the CLI	4-2
Configure Management Default Gateway Address	4-2
Configure Management Inband Address	4-3
Configure Management Out-of-Band Address	4-3
■ BitStorm 4800 Express Startup Procedure	4-4
Login	4-4
Management Modes	4-4
■ Startup Procedure for Inband Management	4-5
■ Startup Procedure for Out-of-Band Management	4-5
■ Using the Web Interface	4-6
■ System / Users	4-7
■ Configuration / Management / SNMP	4-8

A Connectors and Pin Assignments

■ Overview	A-1
■ DSL Ports Connectors	A-2
■ Port 1 and Port 2 10/100BaseT Connectors	A-3
■ Console Port Connector	A-4

B Equipment List

C Technical Specifications

Index

About This Guide

Document Purpose and Intended Audience

This document is written for technicians who install the BitStorm® 4800 Express Model 4821-A2 IP DSLAM.

Document Summary

Section	Description
Chapter 1, <i>Installation</i>	Describes the physical installation of the BitStorm 4800 Express into a rack.
Chapter 2, <i>Cabling</i>	Describes how to install all cables for the BitStorm 4800 Express.
Chapter 3, <i>LEDs</i>	Explains the meaning and usage of the front panel LEDs.
Chapter 4, <i>Configuration</i>	Describes the minimal configuration steps required to prepare the BitStorm 4800 Express for remote access, using the command line interface and web interface.
Appendix A, <i>Connectors and Pin Assignments</i>	Provides pinouts for connectors on the BitStorm 4800 Express.
Appendix B, <i>Equipment List</i>	Provides part numbers for the BitStorm 4800 Express and related products.
Appendix C, <i>Technical Specifications</i>	Lists the technical characteristics of the BitStorm 4800 Express.
Index	Lists key terms, acronyms, concepts, and sections in alphabetical order.

A master glossary of terms and acronyms used in Paradyne documents is available on the World Wide Web at www.paradyne.com. Select *Support* → *Technical Manuals* → [Technical Glossary](#).

Related Product Documents

Documentation for the BitStorm 4800 Express IP DSLAM is available on the World Wide Web at www.paradyne.com. Select *Support* → [Technical Manuals](#).

Document Number	Document Title
4821-A2-GB21	<i>BitStorm 4800 Express Model 4821-A2 Command Line Interface Reference</i> Describes the Command Line Interface (CLI) used to configure and monitor the BitStorm 4800 Express.
4821-A2-GB22	<i>BitStorm 4800 Express Model 4821-A2 SNMP Reference</i> Contains the information necessary to use Simple Network Management Protocol (SNMP) to configure and monitor the BitStorm 4800 Express.
6051-A2-GZ40	<i>BitStorm 6051 POTS Splitter Installation Instructions</i> Describes how to install the BitStorm 6051 POTS splitter.
6210-A2-GB20	<i>Hotwire 6210-A2, 6211-A2, and 6381-A2 User's Guide</i> Describes the installation and operation of the 6210 ADSL bridge, 6211 ADSL router, and 6381 ADSL/R router.
7890-A2-GB22	<i>GrandVIEW EMS User's Guide</i> Contains instructions for maintaining network services and resources using the GrandVIEW Element Management System (EMS).

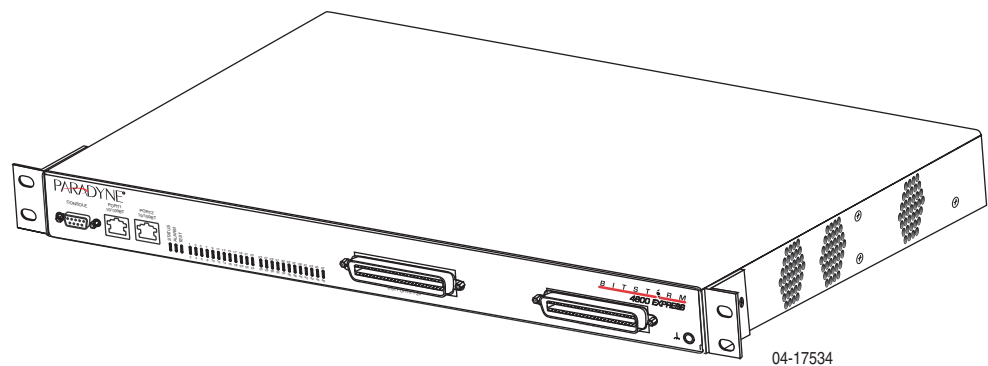
To order a paper copy of a Paradyne document, or to talk to a sales representative, please call 727-530-2000.

Installation

1

Overview

The BitStorm® 4800 Express is a stackable IP DSLAM designed for installation in a Central Office (CO), multi-tenant unit (MTU), or multi-dwelling unit (MDU) environment.



The BitStorm 4800 Express is interoperable with the Hotwire 6381 ADSL/R modem, as well as any standard ADSL CPE.

A Command Line Interface (CLI) and a web browser interface are provided. The unit also may be managed using a network manager such as the Paradyne GrandVIEW™ Element Management System (EMS).

BitStorm 4800 Express IP DSLAM models and features are listed in [Table 1-1, BitStorm 4800 Express Models and Features](#).

Table 1-1. BitStorm 4800 Express Models and Features

Model Number	Type	Number of Ports
4821-A2-427	ADSL	24
4821-A2-447	ADSL	48

Preparation

Consider the following before installing the BitStorm 4800 Express IP DSLAM:

■ Installation Site

Your installation site should be well ventilated, clean, and free of environmental extremes.

■ Installation Options

The BitStorm 4800 Express may be:

- Mounted with the included mounting brackets in a standard 19-inch (483 mm) or 23-inch (584 mm) rack (including both Bay Networks and Nortel 23-inch racks), or, with separately purchased mounting brackets, in a 21-inch (535 mm) ETSI rack. ETSI brackets are available from Paradyne. See [Appendix B, Equipment List](#).

As many BitStorm 4800 Express units may be mounted in a standard rack as there are 1.75-inch (44.45 mm) spaces in the rack, so long as adequate cooling is provided.

- Mounted vertically against a wall.

The standard mounting brackets provided can be fastened to the base of the unit for wall mounting.

- Set on a shelf or desktop.

Up to five BitStorm 4800 Express units may be stacked on a shelf or desktop.

■ Power

The BitStorm 4800 Express operates from a 90 to 265 VAC, 47 to 63 Hz power source.

■ Cabling

No cable except the power cable is provided with the BitStorm 4800 Express. See [Table 1-2, Cable Descriptions](#), to determine what cables you need to procure before installation.

Cables Required

Table 1-2 shows all the cables that may be required for your installation.

Table 1-2. Cable Descriptions

Connector Name	Connector and Cable	For Connecting . . .
DSL PORTS 1–24 DSL Ports 25–48 (if installed)	50-pin RJ21X Telco-type straight connector and 50-wire cable. Two cables required for 48-port model.	Up to 24 DSL ports per cable to a POTS splitter.
Port 2 10/100BaseT	8-position modular plug and 8-wire Category 5 or better unshielded twisted pair (UTP) cable.	The BitStorm 4800 Express to a network.
Port 1 10/100BaseT	8-position modular plug and 8-wire Category 5 or better unshielded twisted pair (UTP) cable.	A Network Management System (NMS) over a Local Area Network (LAN) employing 10BaseT or 100BaseT.
CONSOLE	DB9 plug connector and shielded cable. <ul style="list-style-type: none"> ■ The other connector depends on the serial port on your terminal or PC, but normally is a DB9 socket. ■ The other connector depends on the serial port on your modem, but normally is a DB25 plug. A null modem (crossover) cable is required. 	The BitStorm 4800 Express to one of the following: <ul style="list-style-type: none"> ■ A terminal or a PC with a terminal emulation program, or ■ A modem.

Unpacking the Hardware

HANDLING PRECAUTIONS FOR STATIC-SENSITIVE DEVICES



This product is designed to protect sensitive components from damage due to electrostatic discharge (ESD) during normal operation. When performing installation procedures, however, take proper static control precautions to prevent damage to equipment. If you are not sure of the proper static control precautions, contact your nearest sales or service representative.

The BitStorm 4800 Express is shipped in a cardboard shipping container. Carefully remove the unit from its shipping container and check for physical damage. If the unit shows signs of shipping damage, notify your sales representative.

Package Contents

In addition to this installation guide, the BitStorm 4800 Express shipping carton should contain:






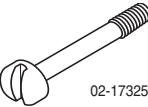


- BitStorm 4800 Express DSLAM
- AC Power Cable
- Two sets of mounting brackets: one set suitable for a 19-inch (483 mm) rack and one set suitable for a 23-inch (584 mm) rack (including Bay Networks and Nortel)
- Hardware kit (see [Table 1-3, Contents of Hardware Kit Shipped with the BitStorm 4800 Express](#))

If anything is missing, notify your sales representative.

Before installing the BitStorm 4800 Express, read the *Important Safety Instructions* in the beginning of this document.

Be sure to register your warranty at www.paradyne.com/warranty.

Table 1-3. Contents of Hardware Kit Shipped with the BitStorm 4800 Express

Appearance	Description	Quantity
 02-17259	Flat-head screw for attaching 19" mounting brackets to unit	6
 02-17326	Machine screw with captive starwasher (6-32 x 1/4") for attaching 23" mounting brackets to unit	6
 02-17256	Self-retaining nut for racks without threaded holes	4
 02-17257	Dress screw (12-24 x 1/2") for use with self-retaining nuts	4
 02-17258	Machine screw with captive starwasher (10-32 x 1/2") for use with racks with threaded holes	4
 02-17325	Captive pan-head screw for replacing long Telco screw	2
 02-17261	Rubber foot for desk-mount and stacking of units	4
 02-17262	Cable tie (8") for strain relief and cable management	2

Mounting Configurations

Three basic installation configurations are available:

- Rack mount – see [Installing the Brackets for Rack Mounting](#) on page 1-6 and [Installing the BitStorm 4800 Express Into a Rack](#) on page 1-8.
- Wall mount – see [Installing the BitStorm 4800 Express on a Wall](#) on page 1-10.
- Shelf or desktop – see [Installing the BitStorm 4800 Express on a Shelf or Desktop](#) on page 1-12.

Mounting Brackets

Your BitStorm 4800 Express can be installed in a rack or on the wall using mounting brackets. Two brackets suitable for a 19-inch (483 mm) rack (marked EIA-19) and two brackets suitable for a 23-inch (584 mm) Bay Networks or Nortel rack (marked with Paradyne Part Number 868-6282-0020) are shipped with the unit. Two brackets suitable for a 21-inch (535 mm) rack (marked ETSI) are available from Paradyne as a separate feature (see [Appendix B, Equipment List](#)).

Rack-mounting brackets may also be used to attach the unit to a wall.

NOTE:

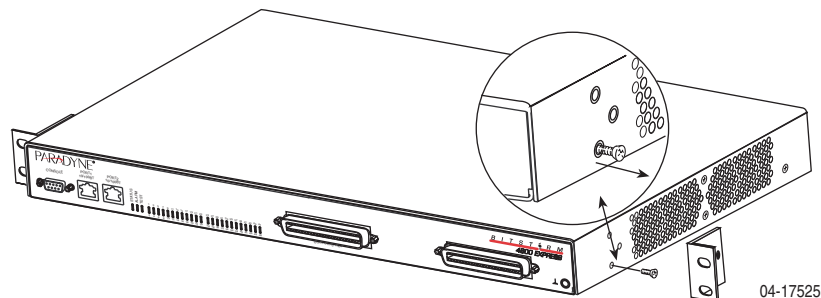
In this guide, the term *rack* refers to any rack, cabinet, frame, or bay suitable for mounting telecommunications equipment.

Installing the Brackets for Rack Mounting

► Procedure

To install the mounting brackets for rack mounting:

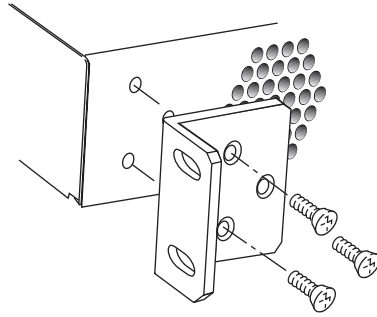
1. Locate the black screw nearest the front panel on each side of the unit, as shown.



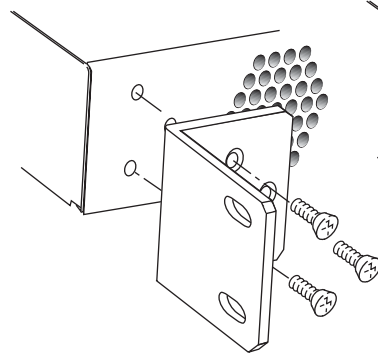
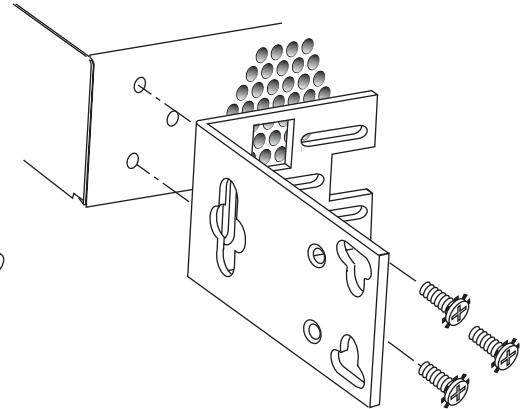
2. Remove these two black screws (one from each side) before attempting to install the mounting brackets.

3. Identify six flat-head screws (for 19-inch racks) or six machine screws (for 23-inch racks) provided with the mounting brackets in the hardware kit.
4. Attach the brackets appropriate to your rack size. Tighten all screws firmly.

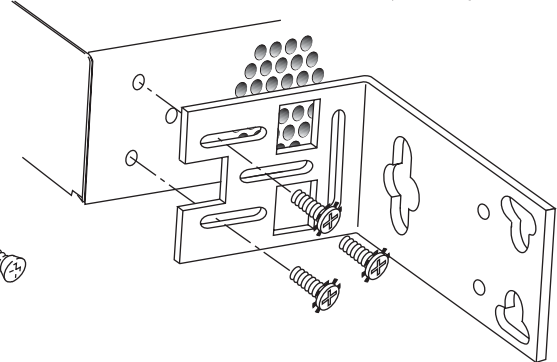
19-inch (483 mm) Rack Mount



23-inch (584 mm) EIA and Bay Networks Rack Mount



21.1-inch (535 mm) Rack Mount



23-inch (584 mm) Nortel Rack Mount

02-17324

Installing the BitStorm 4800 Express Into a Rack

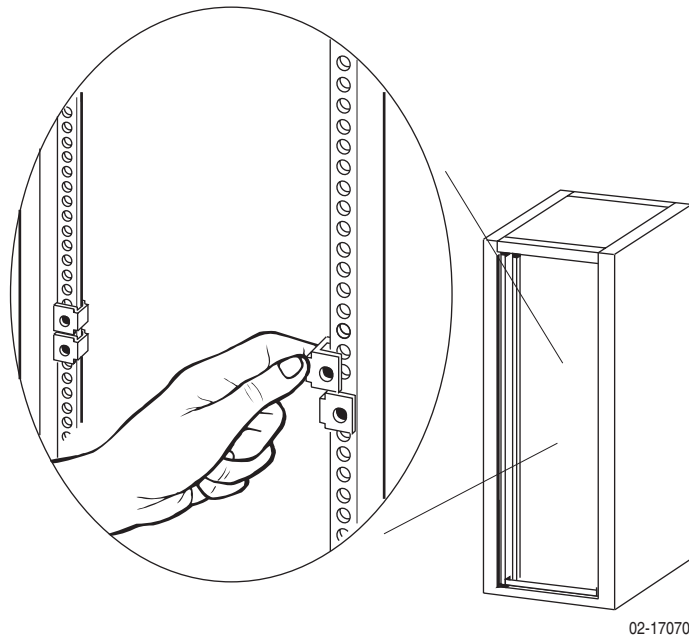
Two types of mounting screws are provided. Use:

- #10-32 mounting screws for rails with threaded screw holes
- #12-24 mounting screws and self-retaining nuts for rails with unthreaded screw holes

► Procedure

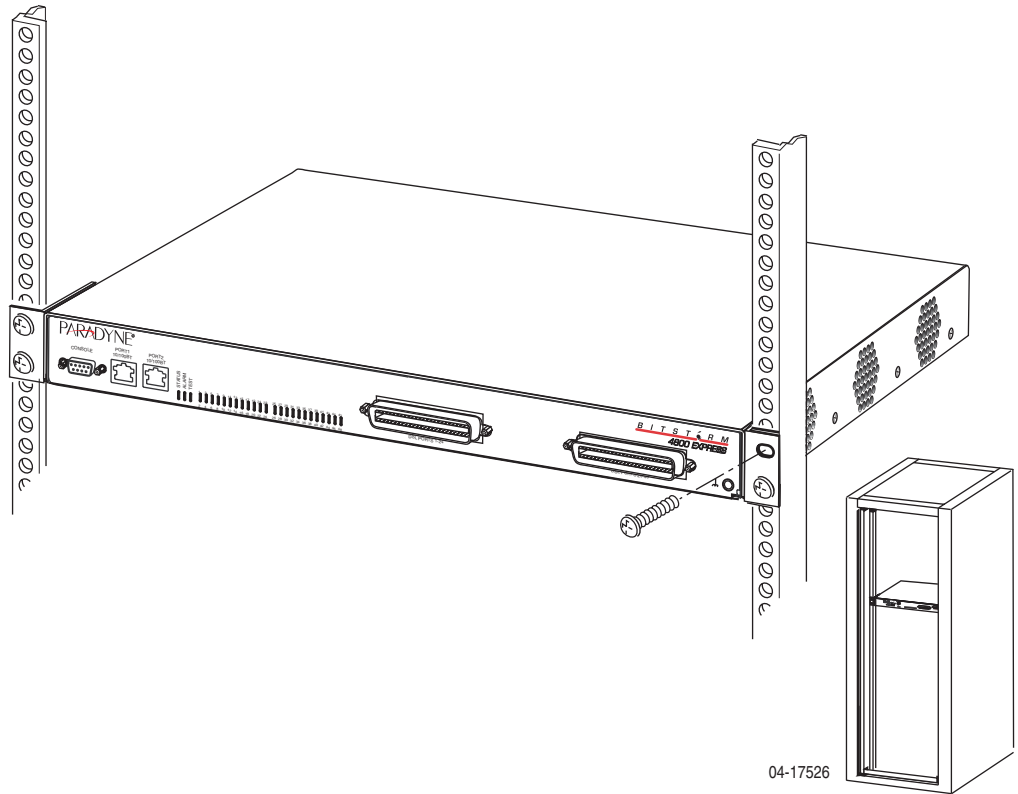
To install the BitStorm 4800 Express into a rack:

1. Determine where in the rack you will mount the BitStorm 4800 Express. If your rack does not have threaded screw holes, slip self-retaining nuts onto the rails where the BitStorm 4800 Express will be fastened.



2. Place the unit so that the brackets rest against the front of the rails. Insert screws in the bottom screw positions and hand-tighten them.

3. Insert and tighten the screws in the top screw positions, then tighten the bottom screws.



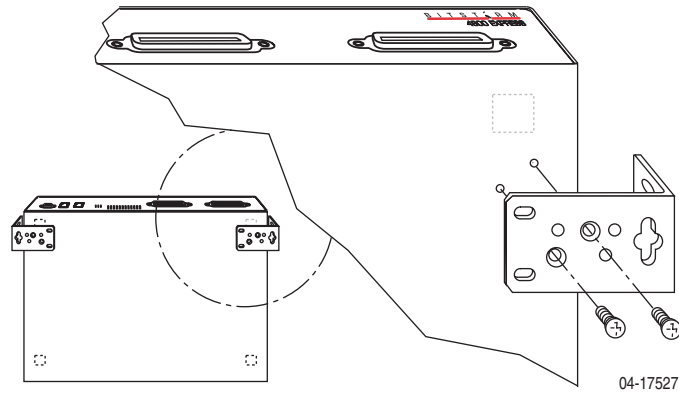
Installing the BitStorm 4800 Express on a Wall

Wall mounting requires two wood screws suitable for the weight of the fully cabled unit. These are not included. Use at a minimum 1/4-inch (6 mm) diameter screws in 3/4-inch (19 mm) plywood (not drywall).

► Procedure

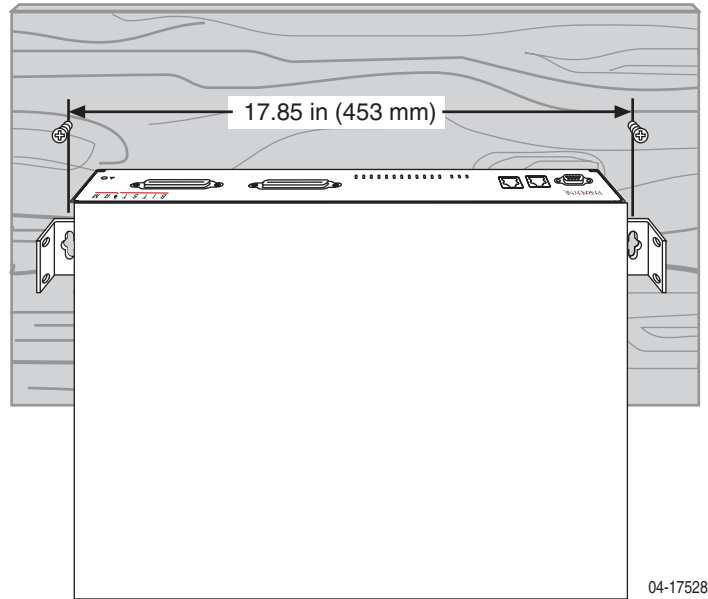
To install the BitStorm 4800 Express on a wall:

1. Identify the flat-head screws provided in the hardware kit and the brackets suitable for a 23-inch rack. Two screws are required for each bracket.
2. Orient the unit so that the bottom is facing you and the faceplate is at the top.
3. Locate the supplied Right Side mounting bracket and fasten it to the right side of the unit.



4. Locate the supplied Left Side mounting bracket and fasten it to the left side of the unit.
5. Tighten all screws firmly.

6. Install two wood screws (not provided) at the same height above the floor and 18.75 inches (476.25 mm) apart. Do not completely tighten the screws. Leave them so their heads are about 1/4 inch (6 mm) from the wall.



7. Hang the unit from the wood screws to verify that the screws are properly placed. The screws should freely slide into the top of the key slots in the brackets.

Do not fasten the unit to the wall until after it is completely cabled and tested.

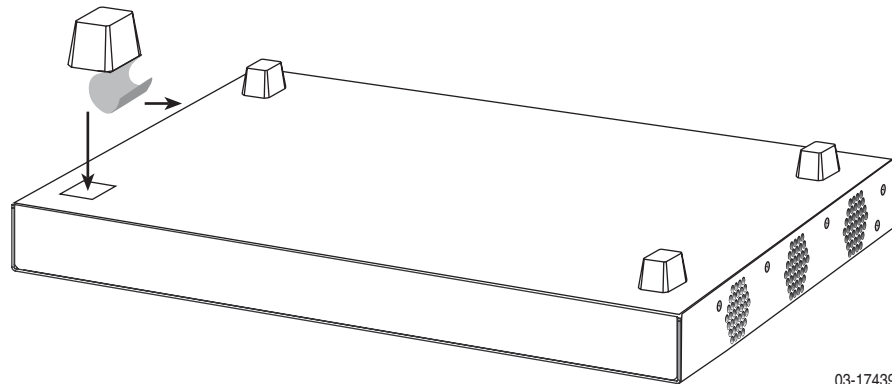
Installing the BitStorm 4800 Express on a Shelf or Desktop

If the BitStorm 4800 Express will be placed on a shelf or desktop, install the provided rubber feet before putting the unit in position.

► Procedure

To install the BitStorm 4800 Express on a shelf or desktop, as a standalone unit or in a stack:

1. Locate the rubber feet in the hardware kit provided with the unit.
2. Turn the unit upside down on a work surface. Squares stamped into the bottom of the unit show the proper positions for the feet.
3. Remove the protective sheet from the bottom of each foot, then press the foot onto a corner of the bottom of the unit.



4. Turn the unit right side up and place it in position on a shelf or desktop.

If the installation includes more than one unit, one can be stacked atop another. Up to five units can be stacked together.

Cabling

2

Cabling Overview

The BitStorm 4800 Express has a large variety of possible cabling configurations. This chapter describes all possible connections, not all of which are required:

- [DSL Ports](#) on page 2-2
- [10/100BaseT Uplink \(Port 2\)](#) on page 2-3
- [Management Port](#) on page 2-4
- [Console Port](#) on page 2-5
- [Ground](#) on page 2-7
- [Connecting to Power](#) on page 2-8

DSL Ports

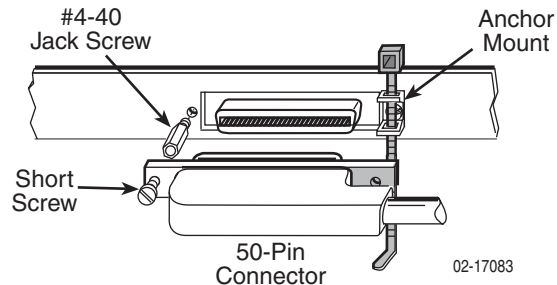
The BitStorm 4800 Express DSL connector supports the tip and ring connections of up to 24 DSL ports over a 50-position cable. There are two DSL connectors on the 48-port model.

You must connect the unit to a separate POTS splitter. The Model 6051 POTS Splitter must be used for customer premises applications in Canada.

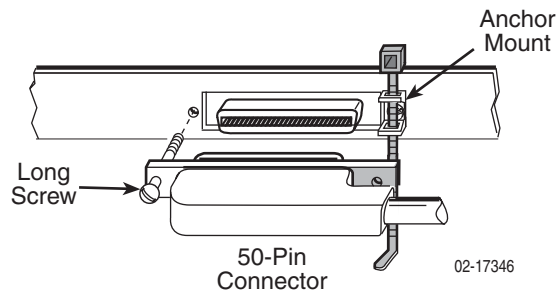
► Procedure

To cable the DSL Ports:

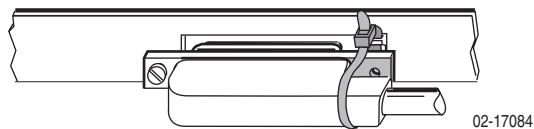
1. Insert a cable tie (provided) through the top of the anchor mount next to the DSL PORTS 1–24 connector.
2. If the connector for your cable has a short captive screw, attach the cable to the DSL PORTS 1–24 connector and fasten it to the jack screw with its short captive screw.



3. If the connector for your cable has a long captive screw, remove the provided jack screw from the threaded hole next to the DSL PORTS 1–24 connector. Attach the DSL PORTS 1–24 connector to the unit using the long, captive pan-head screw (provided).



4. Tighten the cable tie around the connector and trim the excess.



5. For a 48-port model, repeat [Step 1](#) through [Step 4](#), substituting DSL Ports 25–48 for DSL PORTS 1–24.

6. Secure the cables as required for strain relief.

10/100BaseT Uplink (Port 2)

Port 2 is the uplink for the DSLAM. A straight-through cable can be used regardless of the destination interface, since the port automatically distinguishes between an MDI and an MDIX.

► Procedure

To use Port 2 as the uplink:

1. Connect an 8-position modular cable to Port 2.
2. Connect the other end of the cable to the uplink interface, such as an Ethernet switch.

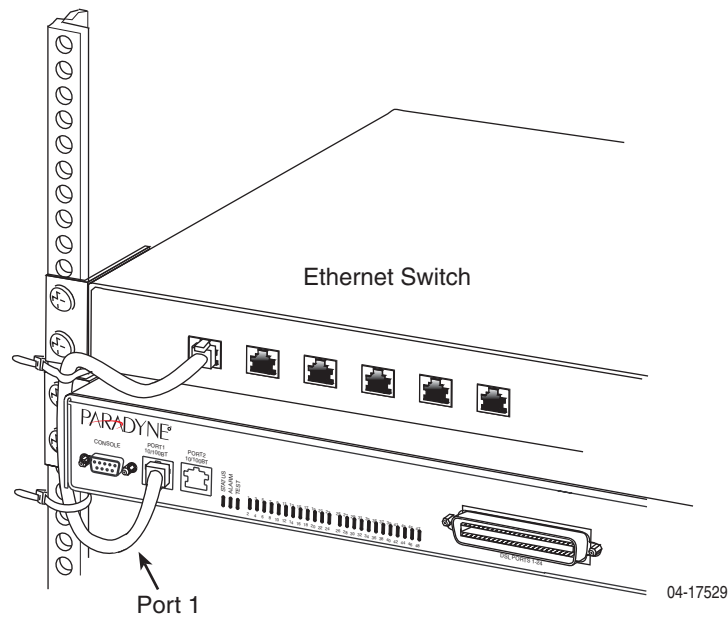
Management Port

Port 1 can be used to connect the BitStorm 4800 Express to a network management system using a 10BaseT or 100BaseT LAN. A straight-through cable can be used regardless of the destination interface, since the port automatically distinguishes between an MDI and an MDIX.

► Procedure

To use Port 1 as the out-of-band management port:

1. Connect an 8-position modular cable to Port 1.
2. If the BitStorm 4800 Express is in a rack, fasten the cable to a rail with a cable tie.
3. Connect the other end of the cable to your Ethernet switch or a network interface card in a PC.



Console Port

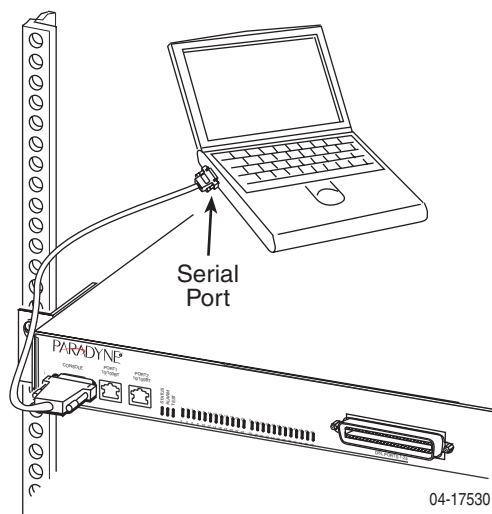
The CONSOLE port normally serves as the primary user interface with the BitStorm 4800 Express during installation. You can connect a terminal or PC directly to the CONSOLE port using a DTE cable (see procedure below). You can also use the CONSOLE port to attach a modem to the BitStorm 4800 Express for remote dial-in management of the unit using a DCE cable (see [Connecting a Modem to the Console Port](#) on page 2-6).

Connecting a Terminal or PC to the Console Port

► Procedure

To connect a terminal or PC to the CONSOLE port:

1. Configure the terminal or terminal emulation program to use the following parameters:
 - Speed: 9600 bps
 - Data bits: 8
 - Parity: None
 - Flow Control: None
 - Stop bits: 1
2. Determine and procure the proper Data Terminal Equipment (DTE) cable type. The CONSOLE port requires a DB9 plug connector. The other connector depends on the serial port on your terminal or PC.
3. Connect the DB9 plug connector to the CONSOLE port socket. The CONSOLE port is ordinarily used only during installation, so do not fasten the connector.
4. Connect the other end of the cable to the serial port of your terminal or PC.

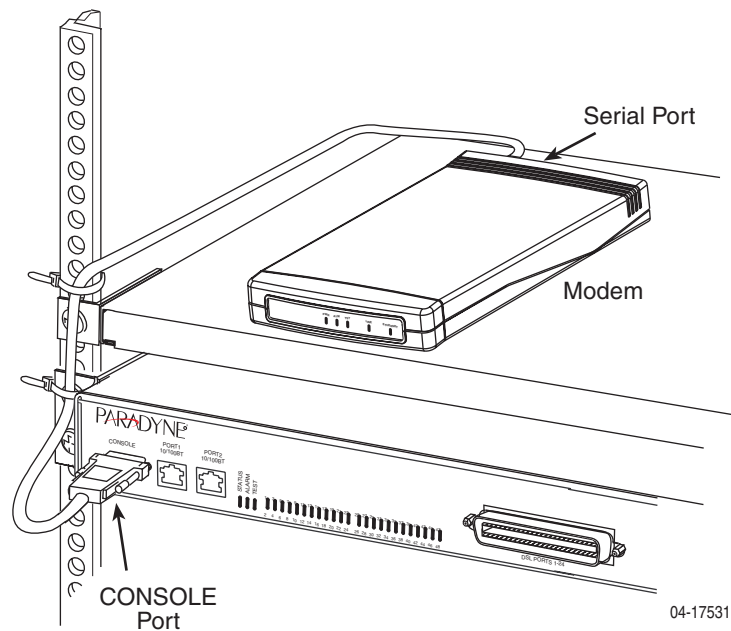


Connecting a Modem to the Console Port

► Procedure

To connect a modem to the CONSOLE port:

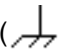
1. Determine and procure the proper DCE cable type for your modem. The CONSOLE port requires a DB9 plug connector. The other connector depends on the serial port on your modem, but normally a DB25 plug is required. The cable must be an EIA-232-E crossover (null modem) cable.
2. Connect the DB9 plug connector to the CONSOLE port socket.
3. If the modem will be permanently connected, fasten the connector to the Management Module with its captive screws. If the BitStorm 4800 Express is in a rack, dress the cable to the left and attach it to the rail with a cable tie.
4. Connect the other end of the cable to the serial port of your modem.

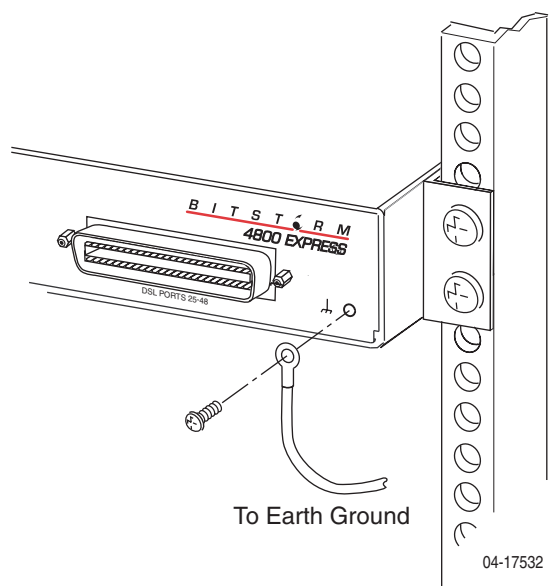


Ground

► Procedure

To connect the unit to a ground:

1. Crimp a ring terminal onto the stripped end of 14 AWG or heavier copper ground wire.
2. Remove the screw marked by the ground symbol () at the right side of the front panel.
3. Fasten the ring terminal to the front panel using the same screw.
4. Attach the ground wire to an earth ground.



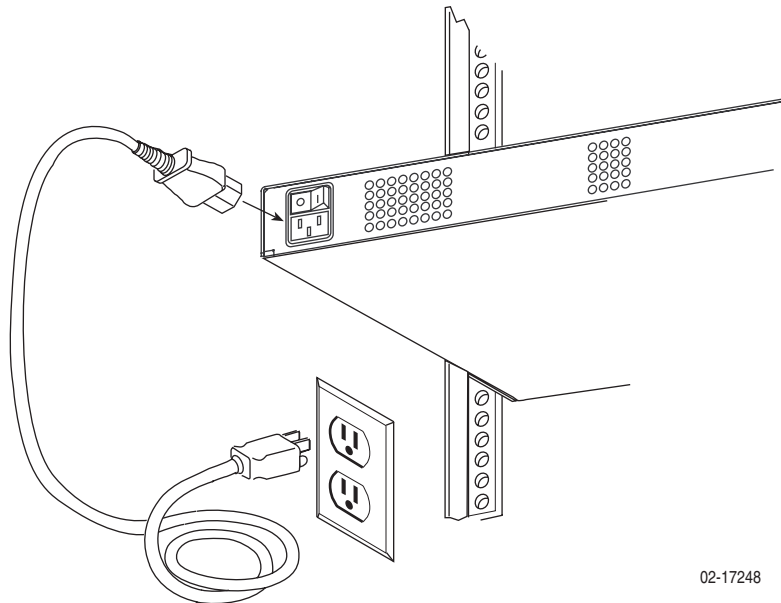
Connecting to Power

The BitStorm 4800 Express can be powered by any AC power source supplying 90–265 VAC at 47–63 Hz.

► Procedure

To connect the BitStorm 4800 Express to a power source:

1. Insert the supplied power cord into the power socket on the back of the unit.



2. If the BitStorm 4800 Express is in a rack, dress the power cord to the left and fasten it to the rail with a cable tie.
3. Connect the other end of the power cord to a grounded AC power source.
4. Make sure the STATUS LED on the front panel is ON (green). See [Chapter 3, LEDs](#).

LEDs

3

LED Locations

The locations of the System and DSL Port LEDs on the front panel of the BitStorm 4800 Express are shown in [Figure 3-1, Front Panel LEDs](#).

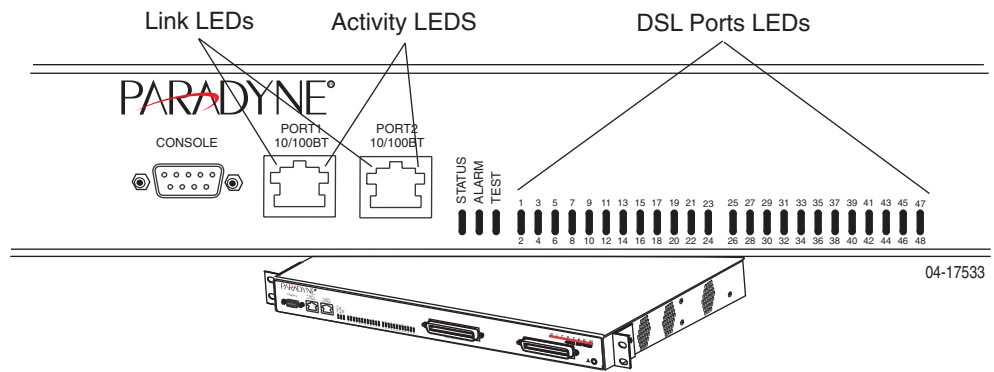


Figure 3-1. Front Panel LEDs

LED Meanings

When power is first applied to the unit, it performs a power-on self-test. When this test is successfully completed, the Status LED blinks. The meaning of all the LEDs is shown in [Table 3-1, Front Panel LEDs](#).

Table 3-1. Front Panel LEDs

LED	Color	State	Meaning
Link*	Green	Off	No Ethernet link present.
		On	Ethernet Link present.
		Flashing	Ethernet link is present, but port is administratively disabled.
Activity*	Green	Off	No data is being transferred.
		On	Data is being transferred.
STATUS	Green	Off	No power, or the unit has not completed initialization.
		On	Unit has power and has completed initialization.
ALARM	Amber	Off	No Alarms.
		On	Unit failed self-test, or the unit has exceeded a safe temperature, or a fan has failed.
TEST	Amber	Off	Normal operating mode.
		On	At least one port is in test mode.
DSL Ports (LEDs numbered 1–24 or 1–48 correspond to DSL ports 1–24 or 1–48)	Green	Off	The port is disabled or no signal is detected on the line.
		On	Port has successfully trained with the remote and is active.

* The RJ45-type connectors for Port 1 and Port 2 bear two LEDs: the left one is the Link LED and the right one is the Activity LED.

Configuration

4

Overview

The BitStorm 4800 Express is designed to require minimal configuration before it can be accessed by a Network Operations Center (NOC). When the BitStorm 4800 Express is first powered up it is a fully functional bridge, and all DSL ports are set to their maximum speed.

Initial configuration is performed using the Command Line Interface (CLI). The CLI is available from a terminal or PC connected to the CONSOLE port, or through the management port (Port 1).

Additional configuration may be necessary, depending on the mode used to manage the BitStorm 4800 Express:

- Inband
- Out of band through Port 1

This can be performed using the CLI, SNMP, or the web interface.

For more configuration information, see the [BitStorm 4800 Express Model 4821-A2 Command Line Interface Reference](#) (for the CLI) and the online Help (for the web interface).

Using the CLI

A command line interface (CLI) can be used to configure and monitor the unit. The CLI is available from a PC or terminal connected to the Console port, or from a Telnet session with the device.

The following commands are available:

Table 4-1. CLI Commands

Command	Function
clear	Clear the system log.
configure	Enter Configuration mode.
copy	Copy from one file to another.
date	Set the time zone and date format.
end	If user is in Administrator mode, shifts to User mode; if user is in User mode, positions interface at top of menu tree.
exit	Terminate current session.
firmware	Download or apply new firmware.
paging	Enable or disable paging (<i>more</i> prompt) for this session.
privilege	Enable administrator mode.
restart	Restart a unit.
show	Display configuration, statistics, and status.
technical-support	Display information for contacting technical support.
test	Test the system.

Descriptions of some essential configuration commands follow.

Configure Management Default Gateway Address

The **configure management default gateway** command specifies the IP address of the next hop router for the management traffic.

configure management default-gateway {ip_address}
Minimum Access Level: Administrator
ip_address – Specifies the IP address of the default gateway for the management ports.
Example:
PDYN# configure management default-gateway 137.90.127.1

Configure Management Inband Address

The **configure management inband address** command specifies the IP address of the unit.

configure management inband address {ip_address} { subnet_mask}
Minimum Access Level: Administrator
<p>ip_address – Specifies the management IP address. Default is 0.0.0.0 (disabled). Do not configure inband and out-of-band management on the same subnet.</p> <p>subnet_mask – Specifies the subnet mask to be applied to the IP address. The default mask is 255.255.255.0.</p> <p>Example:</p> <pre>PDYN# configure management inband address 137.90.127.3 255.255.255.0</pre>

Configure Management Out-of-Band Address

The **configure management out-of-band address** command specifies the IP address of the unit that will accept management traffic on the out-of-band management port.

configure management out-of-band address {bootp {{ip_address}} { subnet_mask} }
Minimum Access Level: Administrator
<p>bootp – Specifies that a BOOTP server will determine the management IP address.</p> <p>ip_address – Specifies the management IP address. The default address is 10.10.10.10. Do not configure inband and out-of-band management on the same subnet.</p> <p>subnet_mask – Specifies the subnet mask to be applied to the IP address. The default mask is 255.255.255.0.</p> <p>Example:</p> <pre>PDYN# configure management out-of-band address bootp PDYN# configure management out-of-band address 137.90.127.3 255.255.255.0</pre>

BitStorm 4800 Express Startup Procedure

You can initialize your BitStorm 4800 Express via a PC or terminal connected to the unit's CONSOLE port. Then, using a series of CLI commands, GrandVIEW EMS or another Element Management System, or the web interface, you can configure the unit according to your requirements.

Login

► Procedure

To log in to the BitStorm 4800 Express:

1. Connect a PC or terminal to the CONSOLE port. (See [Console Port](#) in [Chapter 2, Cabling](#).)
2. At the *login>* prompt, type **admin** and press Enter.
3. At the *password>* prompt, press Enter. The default login password is blank.
4. At the *PDYN>* prompt, type **privilege** and press Enter.
5. At the *password#* prompt, press Enter. The default privileged password is blank.

You are now logged on and in privileged mode, which allows you to configure the unit.

Management Modes

The startup procedure for the BitStorm 4800 Express system differs depending on the type of management used:

- Inband Management – Operates over the uplink.
- Out-of-Band Management – Operates over Port 1.

Startup Procedure for Inband Management

With inband management, the BitStorm 4800 Express is managed using the uplink port.

► Procedure

To start up the BitStorm 4800 Express using inband management:

1. To avoid losing your connection when the IP address is changed, access the CLI using the CONSOLE port.
2. Assign an IP address, netmask, and next-hop router using the **configure management** command. For example:

```
PDYN# configure management inband address 137.90.127.3  
255.255.255.0
```

```
PDYN# configure management default-gateway  
137.90.127.1
```

Do not configure inband and out-of-band management on the same subnet.

Startup Procedure for Out-of-Band Management

In out-of-band management, you manage the unit through Port 1.

► Procedure

To start up the BitStorm 4800 Express using out-of-band management:

1. To avoid losing your connection when the IP address is changed, access the CLI using the CONSOLE port.
2. Assign an IP address, netmask, and next-hop router using the **configure management** command. For example:

```
PDYN# configure management out-of-band address  
137.90.80.3 255.255.255.0
```

```
PDYN# configure management default-gateway 137.90.80.1
```

You can now access the web interface by typing into the Location field of your web browser the IP address assigned to the Port 1. See [Using the Web Interface](#) on page 4-6.

Do not configure inband and out-of-band management on the same subnet.

3. Configure routers as necessary to route data from the NOC to the BitStorm 4800 Express.

Using the Web Interface

To access the web interface:

► Procedure

1. Open your web browser. (Internet Explorer Version 6 or above is recommended.)
2. Type `http://` and the IP address of the BitStorm 4800 Express into the Address field of your browser window. For example:



3. A login window appears. Enter the default User ID (**admin**) and leave Password blank. Click on OK. The web interface screen appears.
4. Click on the menu tab appropriate to what you would like to do:
 - Configuration – To configure the system and interfaces
 - Status – To display statistics, status, and contents of memory
 - System – To display system information, download firmware, back up configurations, and modify users
 - Diagnostics – To start and stop tests

System / Users

For security reasons, it is a good idea to change the default password the first time you use the system.

► Procedure

To change the default password for user **admin**:

1. Click on the System menu tab, then click on Users. The following screen appears.

The screenshot shows the 'System / Users' configuration interface. On the left is a navigation menu with the following items: Configuration, Diagnostics, Status, System (highlighted), Alarms and Status, Date and Time, Firmware, Options, Restart, Save and Restore, Scheduled Backup, Self-test Results, System Information, Technical Support, and Users. The main content area is titled 'System / Users' and contains two panels:

- Configured Users:** A table with columns 'User Name' and 'Privilege Level'. It lists one user: 'admin' with 'admin' privilege level. A radio button is next to the 'admin' user name. Below the table is a 'Modify Selected' button.
- Create New User:** A form with three input fields: 'User Name', 'Log In Password', and 'Privilege Password'. An 'Apply' button is located at the bottom right of this panel.

2. In the Configured Users box, select **admin** by clicking in the circle next to it.
3. Click on Modify Selected. The System / Users / admin screen appears.
4. Type in a new Login Password and a new Privilege Password, then click on Apply. Keep a record of the new password.

Configuration / Management / SNMP

SNMP access to the unit is disabled by default. The read-only community string is **public**, and the read-write string is **private**. Community strings, network management system addresses, and trap manager addresses can be set using the System/Management/SNMP screen.

► Procedure

To set SNMP parameters:

1. Click on the Configuration menu tab, then click on SNMP. The System/Management/SNMP screen appears.

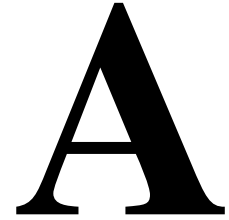
The screenshot shows a web browser window with the title "Configuration / Management / SNMP". On the left is a navigation menu with categories: "Diagnosica", "Status", "System", "Configuration", "Bridge", "Filters", "Rule", "Filter", "Binding", "Interface", "Console", "DSL", "Ethernet", "IP", "Proxy ARP", "Management", "Address", "ARP", "SNMP", "Multicast", "IGMP", "Security", "IP", "MAC", "SNTP", "Syslog", "Uplink", "Uplink-tag", and "VLAN". The "SNMP" option under "Management" is highlighted. The main content area is titled "SNMP" and contains the following fields:

- State: Enabled (dropdown menu)
- Public String (read only): public (text input)
- Private String (read/write): private (text input)
- SNMP Access Validation: Disabled (dropdown menu)
- Manager IP Addresses: Three pairs of empty text input fields.
- Trap IP Addresses: Three pairs of empty text input fields.

An "Apply" button is located at the bottom right of the form area.

2. Enter new SNMP parameters as desired. Click on Apply.

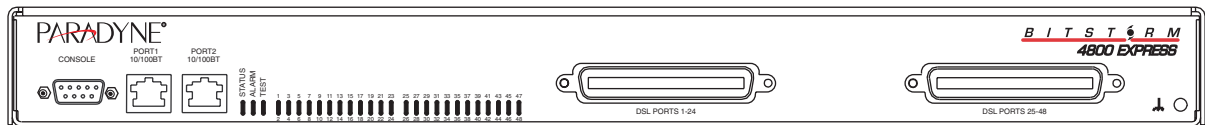
Connectors and Pin Assignments



Overview

The following sections provide pin assignments for:

- [DSL Ports Connectors](#) on page A-2
- [Port 1 and Port 2 10/100BaseT Connectors](#) on page A-3
- [Console Port Connector](#) on page A-4



04-17535

Figure A-1. BitStorm 4800 Express IP Front Panel

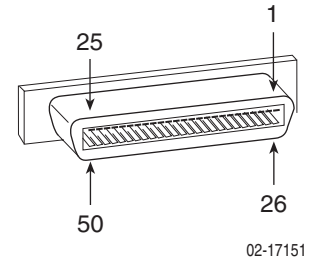
DSL Ports Connectors

The 50-pin RJ21X Telco connectors labeled DSL Ports 1–24 and (on the 48-port model) DSL Ports 25–48 provide the 2-wire loop interface from each DSL port to the POTS splitter. The Canadian designation for this connector is CA21A.

Table A-1 lists the pin assignments for these interfaces. Note that Pins 25 and 50 are not used.

Table A-1. DSL Connector Pinouts

DSL Port	Connector Pins (Ring, Tip)
1 or 25	1, 26
2 or 26	2, 27
3 or 27	3, 28
4 or 28	4, 29
5 or 29	5, 30
6 or 30	6, 31
7 or 31	7, 32
8 or 32	8, 33
9 or 33	9, 34
10 or 34	10, 35
11 or 35	11, 36
12 or 36	12, 37
13 or 37	13, 38
14 or 38	14, 39
15 or 39	15, 40
16 or 40	16, 41
17 or 41	17, 42
18 or 42	18, 43
19 or 43	19, 44
20 or 44	20, 45
21 or 45	21, 46
22 or 46	22, 47
23 or 47	23, 48
24 or 48	24, 49

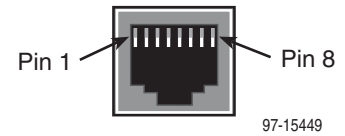


Port 1 and Port 2 10/100BaseT Connectors

Port 1 and Port 2 are 8-pin unkeyed modular jacks for a 10/100BaseT interface.

Table A-2. Port 1 and Port 2 Pinouts

Signal	Pin
Transmitted Data +	1
Transmitted Data –	2
Received Data +	3
Unused	4
Unused	5
Received Data –	6
Unused	7
Unused	8



Console Port Connector

The CONSOLE port connector is a DB9 socket connector that supports an EIA-232-E circuit as shown in [Table A-3](#).

Table A-3. Console Port Connector

RS-232 Signal	Direction	Pin
Ground	Out	1
Receive Data	Out	2
Send Data	In	3
Data Terminal Ready	In	4
Ground	—	5
Ground	Out	6
NC	—	7
Ground	Out	8
NC	—	9

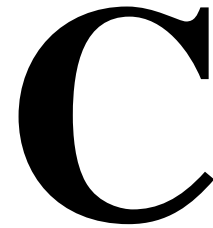
Equipment List

B

Table B-1. BitStorm 4800 Express Equipment List

Description	Model Number
<i>BitStorm 4800 Express Model 4821-A2 Command Line Interface Reference (paper copy)</i>	4821-A2-GB21
<i>BitStorm 4800 Express Model 4821-A2 SNMP Reference (paper copy)</i>	4821-A2-GB22
BitStorm 4800 Express 24-Port IP DSLAM, with North America power cord <i>Includes BitStorm 4800 Express, 19- and 23-inch mounting brackets and hardware, and Installation Guide.</i>	4821-A2-427
BitStorm 4800 Express 48-Port IP DSLAM, with North America power cord <i>Includes BitStorm 4800 Express, 19- and 23-inch mounting brackets and hardware, and Installation Guide.</i>	4821-A2-447
Mounting Brackets for ETSI 21-inch (535 mm) Rack	4200-F1-001
1-Slot POTS Splitter Chassis	5011-A1-000
6-Slot POTS Splitter Chassis	5016-A1-000
BitStorm 6051 Universal Line Sharing POTS Splitter	6051-B1-001

Technical Specifications



Technical specifications are subject to change without notice.

Table C-1. BitStorm 4800 Express Technical Specifications

Specifications	Criteria
Cooling and Air Handling	Each BitStorm 4800 Express is independently cooled with integral fans and does not rely on vertical air flow.
DSL Compatibility	<ul style="list-style-type: none">■ G.dmt (G.992.1)■ G.lite (G.992.2)■ ANSI T1.413-1998
Electromagnetic Compatibility (EMC)	Meets the following standards: <ul style="list-style-type: none">■ EN 300 386-2■ EN 55024■ EN 55022, Class A■ FCC Part 15, Class A■ VCCI, Class A
Interfaces	<ul style="list-style-type: none">■ DSL PORTS: 50-pin RJ21X Telco-type connector■ CONSOLE: DB9 (EIA-232-E)■ Port 1 and Port 2: 8-pin modular jack (10/100BaseT)
Operating Environment	Ambient Temperature: 0° to 50° C (32° to 122° F) Relative Humidity: 5% to 95% noncondensing Storage Temperature: -40° to 85° C (-40° to 185° F) Shock and vibration tolerance sufficient to withstand normal shipping
Physical Dimensions	Height: 1.75" (44.5 mm, or 1U as defined in EIA-310-C) without feet Width: 17.2" (437 mm) without mounting brackets Depth: 16.0" (406 mm) with cables
Power	90–265 VAC, 47–63 Hz
Power Consumption	Model 4821-A2-427: 26 Watts Maximum Model 4821-A2-447: 40 Watts Maximum
Weight	Model 4821-A2-427: 11.2 lbs (5.1 kg) Model 4821-A2-447: 10.7 lbs (4.8 kg)

Index

Numerics

10/100BaseT pinouts, A-3

A

AC power, 2-8

Activity LEDs, 3-2

administrator, login, 4-4

Alarm LED, 3-2

audience for this document, iii

autosensing, 2-3–2-4

B

BitStorm 4800 Express

description, 1-1

features, 1-1

models, 1-1

brackets

installation for rack mount, 1-6

C

cables, A-1

DSL ports, A-2

MGMT port, A-3

required, 1-3

cabling, 2-1

console port, 2-5

DSL ports, 2-2

ground, 2-7

management port, 2-4

Port 1, 2-4

Port 2, 2-3

POTS ports, 2-2

power, 2-8

uplink, 2-3

CO grounding screw, 2-7

Command Line Interface (CLI), 4-2

commands, 4-2

community strings, 4-8

configuration, 4-1

CLI commands, 4-2

mounting brackets, 1-6

configuring

inband management, 4-5

out-of-band management, 4-5

SNMP parameters, 4-8

connectors, A-1

DSL ports, A-2

front panel, A-1

Management port, A-3–A-4

POTS splitter, A-2

CONSOLE port, 2-5

cabling and settings, 2-5

connecting modem, 2-6

description, 1-3

pinouts, A-4

contents of shipping carton, 1-4

cooling and air handling, C-1

D

DB9

cabling, 2-5

pinouts, A-4

default gateway, 4-2

default password, 4-4

changing, 4-7

desktop installation, 1-12

dimensions, C-1

document purpose, iii

documents

online, iii

ordering, iv

related, iv

DSL ports

cabling, 2-2

description, 1-3

LEDs, 3-2

pin assignments, A-2

E

earth ground, 2-7

EIA-232-E, A-4

Electromagnetic Compatibility (EMC), C-1

EMS, 4-4

Enter key, 4-2

environment, C-1

equipment list

hardware provided, 1-5

package contents, 1-4

part numbers, B-1

ESD precautions, 1-4

E

Ethernet
LEDs, 3-2

F

fasteners provided, 1-5
feature numbers, B-1
features, 1-1
feet, 1-12
front panel, 3-1, A-1
 illustration, A-1
 LEDs, 3-1

G

glossary URL, iii
grounding screw, 2-7

H

hardware kit contents, 1-5

I

inband management
 configuring, 4-5
 described, 4-4
initialization procedures, 4-4
installation, 1-1
 options, 1-2
installing
 feet for shelf installation, 1-12
 in rack, 1-8
 mounting brackets for rack mount, 1-6
 mounting brackets for wall mount, 1-10
 on shelf or desktop, 1-12
 screws for wall mount, 1-11
 self-retaining nuts, 1-8
 unit into rack, 1-8
 unit on wall, 1-10
interfaces, C-1

J

jack screw, 2-2

L

LEDs, 3-1
License Agreement, B
Link LEDs, 3-2
login, 4-4
lug for grounding, 2-7

M

management modes, 4-4

Management port

 cabling, 2-4
 connector, A-3–A-4
 description, 1-3
 pin assignments, A-3–A-4
management port, 2-4
menu tabs, 4-6
models, 1-1
modem
 connecting to Console port, 2-6
mounting brackets, description, 1-6
mounting configurations, 1-2, 1-6

N

network management systems, 4-8
NMS, 4-8

O

operating environment, C-1
optional mounting brackets, 1-6
order numbers, B-1
out-of-band management
 configuring, 4-5
 described, 4-4
overview
 cabling, 2-1
 configuration, 4-1
 management modes, 4-4
 of BitStorm 4800 Express, 1-1
 of book, iii

P

package contents, 1-4
part numbers, B-1
password, 4-4
 changing, 4-7
 default, 4-4
PC cabling and settings, 2-5
physical dimensions, C-1
pin assignments, A-1
 Console port, A-4
 Management port, A-3–A-4
 Ports 1 and 2, A-3
 RJ21X connectors, A-2
 Telco connectors, A-2
Port 1
 cabling, 2-4
 pinouts, A-3
Port 2
 cabling, 2-3
 pinouts, A-3

POTS splitter
 cabling, 2-2
 pin assignments, A-2
 port description, 1-3
power, C-1
 connecting to, 2-8
 consumption, C-1
 requirements, 2-8, C-1
preinstallation, 1-2
product-related documents, iv
purpose of this document, iii

R

rack installation, 1-8
 bracket installation, 1-6
 example, 1-9
 procedure, 1-8
related documents, iv
Return key, 4-2
RJ21X connectors, A-2
RJ45 pinouts, A-4

S

screws provided, 1-5
shelf installation, 1-12
shipping carton, 1-4
site preparation, 1-2
site requirements, 1-2, C-1
SNMP, configuring parameters, 4-8
Software and Firmware License Agreement, B
specifications
 product, C-1
stacking, 1-2
startup procedures, 4-4

Status LED, 3-2
synopsis of chapters, iii

T

technical specifications, C-1
Telco connectors
 fastening, 2-2
 pinouts, A-2
terminal cabling and settings, 2-5
Test LED, 3-2
trap managers, 4-8
troubleshooting, LEDs, 3-1
turn-up procedures, 4-4
typographic conventions, 4-2

U

unpacking, 1-4
uplink
 cabling, 2-3
 Port 2, 2-3

V

VT100 cabling and settings, 2-5

W

wall mount
 bracket installation, 1-10
 screw positions, 1-11
web interface
 password, 4-7
 starting, 4-6
 using, 4-6
weight, C-1

