

**MODEL: WB-10-12
 WB-14-12, WB-14-11**

ITEM NO _____

PROJECT _____

DATE _____

FEATURES AT A GLANCE

- Automatic refill system
- Thermostatic Controls
- Sight Glass available on all models
- Smooth welded seams
- "No-Drip" faucet
- Precision temperature gauge
- Large "HOT WATER" graphics



WB-14-12
 14 Gallon Capacity



WB-10-12
 10 Gallon Capacity

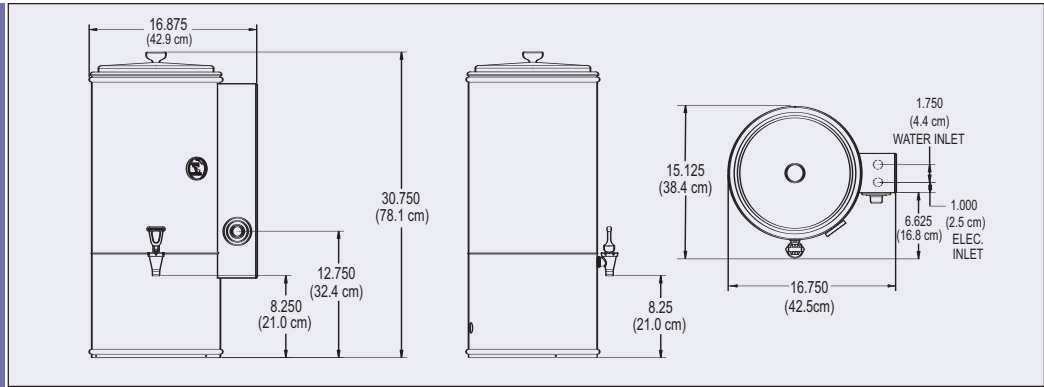
Perfect for tea, soup, freeze-dried products, hot chocolate, cleaning jobs and more!

Curtis' high performance Hot Water Boilers are ideal for any operation requiring large volumes of piping hot water. With quick, energy-efficient operation, these boilers are constructed of heavy gauge stainless steel and feature thermostatic controls and solid-state automatic refill systems.

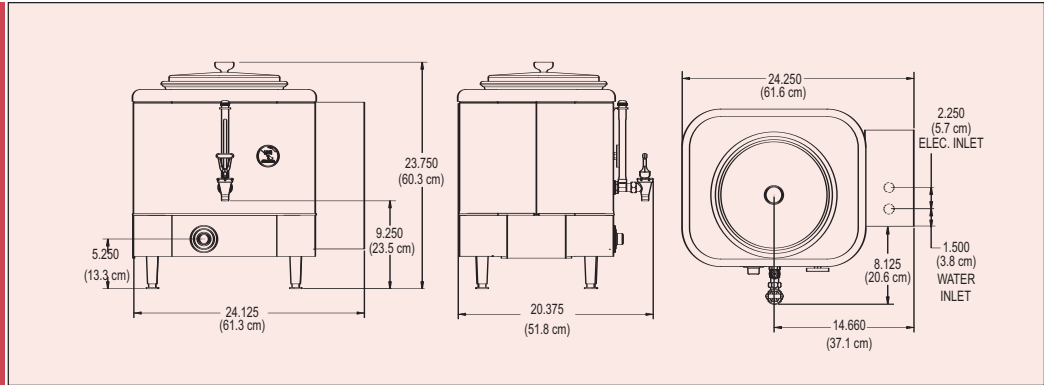


Find the latest on the web at www.wilburcurtis.com

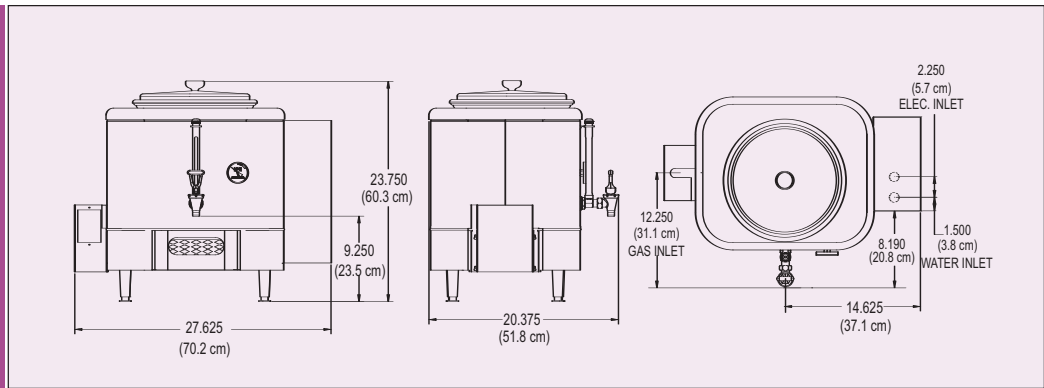
WB-10-12



WB-14-12



WB-14-11



Specifications	WB-10-12	WB-14-12	WB-14-11
Capacity	10 Gallons	14 Gallons	14 Gallons
Gas/Electric	Electric	Electric	Gas
Voltage*	220V 1PH 3W+G	220V 1PH 3W+G	115V 1PH 2W+G 60Hz
Power Requirements	7000W 32A	7000W 32A	3A
Dimensions (WxDxH)	17-1/2" x 17" x 30-3/4"	21-1/2" x 19-3/4" x 24"	27-3/4" x 19-3/4" x 24"
Shipping Weight	32 Lbs.	50 Lbs.	56 Lbs.
Cube (cu. ft.)	6.5	11.6	11.6

* Other voltage available - Contact Factory



WILBUR CURTIS COMPANY, INC.

6913 Acco Street, Montebello, CA 90640-5403

Telephone: 800-421-6150 · 323-837-2300

Fax: 323-837-2406

www.wilburcurtis.com

