

Corporate Headquarters

GarrettCom, Inc.

47823 Westinghouse Dr.
Fremont, CA 94539-7437

Phone (510) 438-9071

Fax (510) 438-9072

Website: <http://www.GarrettCom.com>

email support@garrettcom.com



**Magnum 6K32F, 6K32FR, 6K32FC &
6K32FRC**



Industrial Managed Switch

Installation and User Guide

Hardware User Manual

Magnum™ 6K32F, 6K32FR, 6K32FC & 6K32FRC Managed Switch Hardware Installation and User Guide

Part #: 84-00103Z (Rev. A)

Trademarks

Ethernet is a trademark of Xerox Corporation

NEBS is a trademark of Telcordia Technologies

UL is a registered trademark of Underwriters Laboratories

GarrettCom, Magnum, Personal Switch, S-Ring, Link-Loss-Learn, Converter Switch and Convenient Switch are trademarks and **Personal Hub** is a registered trademark of GarrettCom, Inc.

GarrettCom, Inc. reserves the right to change specifications, performance characteristics and/or model offerings without notice.

Important: The Magnum 6K32F Series Managed Switch contains no user serviceable parts. Attempted service by unauthorized personnel shall render all warranties null and void. If problems are experienced with Magnum 6K32F Series of Switch products, consult Section 6, Troubleshooting, of this User Guide.

Copyright © 2008 GarrettCom, Inc. All rights reserved. No part of this publication may be reproduced without prior written permission from GarrettCom, Inc.

Printed in the United States of America.

Contacting GarrettCom, Inc

Please use the mailing address, phone and fax numbers and email address listed below:

GarrettCom, Inc.

47823 Westinghouse Dr.

Fremont, CA 94539-7437

Phone (510) 438-9071

Fax (510) 438-9072

Website: <http://www.GarrettCom.com>

email support@garrettcom.com

Federal Communications Commission

Radio Frequency Interference Statement

This equipment generates, uses and can radiate frequency energy and if not installed and used properly, that is in strict accordance with the manufacturer's instructions, may cause interference to radio communication. It has been tested and found to comply with the limits for a Class A computing device in accordance with the specifications in Subpart J of Part 15 of FCC rules, which are designed to provide reasonable protection against such interference when operated in a commercial environment. Operation of this equipment in a residential area is likely to cause interference, in which case the user at his own expense will be required to take whatever measures may be required to correct the interference.

Canadian Emission

This Class A digital apparatus meets all requirements of the Canadian Interference-Causing Equipment Regulations.

Cet appareil respecte toutes les exigences du Règlement sur le matériel du Canada. Cet appareil est Classe A.

TABLE OF CONTENTS		Page
1.0	SPECIFICATIONS	1
1.1	Technical Specifications.....	1
1.2	Ordering Information	4
2.0	INTRODUCTION	9
2.1	Inspecting the Package and Product.....	9
2.2	Product Description - Magnum 6K32FC/FRC Managed Switch.....	10
2.2.1a	Magnum 6K32F/FR Managed Switch Chassis	12
2.2.2	Eight-port SFF fiber modules (6KP8-MTRJ, 6KP8-MLC)	13
2.2.3	Eight-Port Copper Module, 6KP8-RJ45 (MDIX).....	14
2.2.3a	PoE(Power Inside), PI6KP8-45RJ (MDIX), 8-port 10/100Mb..	15
2.2.3b	PoE(Power Pass-through) P6KP8-RJ45 (MDIX) 8-port	15
2.2.4	Six-Port “4 + 2”Combo Modules fiber ST or SC.....	16
2.2.5	Four-Port 10 Mb mm Fiber ST Modules.....	17
2.2.6	Gigabit (1000Mbps) port modules	17
2.2.7	Packet Prioritization, 802.1p QOS	18
2.2.8	Frame Buffering and Flow Control	18
2.2.9	Managed Network Software 6K32F Series	19
2.3	Features and Benefits	20
2.4	Applications	21
3.0	INSTALLATION	26
3.1	Locating Magnum 6K32F Switches.....	26
3.2	Connecting Ethernet Media.....	27
3.2.1	Connecting Fiber Optic ST-type, “twist-lock”	27
3.2.2	Connecting Fiber Optic SC-type, "Snap-In"	28
3.2.3	Connecting Single-Mode Fiber Optic	28
3.2.4	Connecting Twisted Pair (RJ-45,CAT3, CAT5).....	28
3.2.5	Connecting Twisted Pair (CAT-5e or better)	29
3.2.6	Gigabit SFP (Small Form-factor Pluggable) Transceivers.....	30
3.2.7	Power Budget Calculations 6K32F Series PM's	31
3.3	Table-Top or Shelf Mounting.....	33
3.3.1	Rack-mounting (for 19” RETMA)6K32F & 6K32FC's.....	33
3.3.2	Rack-mounting, Reverse version of the Magnum 6K32F's.....	34
3.4	Powering the Magnum 6K32F Series Managed Switch.....	34
3.4.1	Alarm Contacts for monitoring internal power Traps.....	35
3.5	6K32F Series Port Module (6KPM) Installation.....	36
3.5.1	Preparation for Installing and Removing 6KPMs.....	36
3.5.2	Installing 6KPM Cards in the 6K32F Series	38
3.5.3	Removing 6KPM Cards	40
3.6	Connecting the Console Terminal to 6K32F Series	42
3.6.1	RS-232 (DB-9) Console Com port (Serial port) pin.....	42
4.0	OPERATION	44
4.1	Switching Functionality	44
4.2	Status LEDs.....	45
4.3	Auto-Cross (MDIX)Auto-neg for 10/100Mbps RJ-45 ports.....	45

4.4	Flow-control, IEEE 802.3x standard.....	46
5.0	6K32F SERIES MANAGED SWITCH PORT MODULES.....	47
5.1	Inspecting the Package and Product.....	47
5.2	6KPM Module Description	47
5.2.1	6KP6-RJMST multi-mode FX-ST “twist lock” Module.....	48
5.2.1a	6KP6-RJ10ST multi-mode FX-ST “twist lock” Combo	48
5.2.1b	6KP4-F10ST multi-mode FX-ST “twist lock” Module.....	49
5.2.1c	6KP4-FLSTFX multi-mode FX-ST “twist lock” Module.....	49
5.2.2.	6KP6-RJMSC multi-mode FX-SC “snap-in” Module	50
5.2.3	6KP6-RJSSC Mbps single-mode FX-SC-type, “snap-in”.....	50
5.2.4	6KP6-RJSSCL FX-SC-type, “snap-in” connector	51
5.2.4a	6KP6-RJ10ST FL-ST-type, “twist-lock” connector.....	51
5.2.5	6KP8-MTRJJ Small-Form-factor.....	52
5.2.5a	6KP6-MT10STmode FX Factor	52
5.2.6	6KP8-45MT_MTRJ Small-Form-Factor.....	53
5.2.7	6KP8-MLC LC connector Small-	53
5.2.8	6KP8-45LC_10/100 Mbps RJ-45 Connector.....	54
5.2.9	6KP8-RJ45 (Twisted Pair), 10/100Mb 8-Port.....	54
5.2.10a.	PoE (Power Pass-through)P6KP8V-RJ45 (MDIX).....	55
5.2.10b.	PoE(Power Inside), model PI6KP8-45RJ (MDIX).....	56
5.2.11	6KP8-45-2MT MTRJ Small-Form-Factor	57
5.2.11a	6KP8-45-2LC single-mode FX , LC Small-Form-Factor.....	58
5.2.12	GBIC-SXSC Gigabit fiber(1000Mb), multi-mode SC	58
5.2.12a	GBPM-2OTX (Two Gigabit option).....	59
5.2.12b	GBIC-LXSC Gigabit fiber (1000Mb), multi-mode SC	59
5.2.13	6KM-BLNK	60
6.0	TROUBLESHOOTING.....	60
6.1	Before Calling for Assistance.....	61
6.2	When Calling for Assistance.....	61
6.3	Return Material Authorization (RMA) Procedure.....	62
6.4	Shipping and Packaging Information	63
	APPENDIX A: WARRANTY INFORMATION	63
	APPENDIX B : INTERNAL DC POWER SUPPLY OPTIONS.....	64
	APPENDIX C: INTERNAL DC DUAL-SOURCE POWER OPTION	67

Revisions

Rev A 05/08 : Initial release of the Magnum 6K32F Series manual.

The Magnum Line

INDUSTRIAL NETWORKING PRODUCTS

"DESIGNED AND MANUFACTURED IN THE USA"

OVERVIEW

GarrettCom, Inc. offers the premium-quality Magnum™ line of INDUSTRIAL connectivity products with industry-standard functionality and built-in fiber configurability. Magnum products are designed for use in demanding Industrial Grade, Carrier Class, POWER UTILITY and OEM applications where reliability is a primary consideration.

6K-Series Managed Field Switches, Gigabit, 100 and 10 Mbps, fiber and copper ports, mix-and-match. Features SFF fiber and DC power in 1U units.

DX-Series Serial Device Routers, Ethernet and Serial

4K-Series Switches, 100 and 10 Mbps, copper ports with optional fiber port, with auto-negotiating full switching performance.

Quad-Series Fiber Switches, 100 & 10Mbps, fiber and copper ports, mixed-speed and mixed-media types, full switching performance.

mP62 and P62F "Outdoor" Ethernet SwitchES, for temperature uncontrolled locations, 6 10/100 and 2 100Mb fiber ports, can be connected in strings

Mixed-Media Fiber Hub, 16-port, 10/100 auto-sensing

Dual Speed 8-port and 16-port, 10/100 auto-sensing HUBS

Personal Switches, 10/100/1000Mb

8 port dual-speed, Auto-negotiable with fiber option

Personal Hubs, 100Mb or 10/100Mb 8-port, with 2 switched ports (1 fiber built in)

Personal Hubs, 10Mb series 8-port + AUI, stackable to 5 high, + optional BNC of fiber port 8 or 9-port and 4 or 5-Port Personal Hubs, w/ man. up-link sw.

Media Converters, 10Mb and 100Mb series, All media combinations, incl. fiber ST, SC, mm., single mode

The "X-line" of configurable MiXed Media products:

Stackable Concentrators, SNMP optional, 13-Ports

Mini-Concentrators, 7 Ports, **Repeaters**, 2-Ports

Repeater Port Modules (RPMs), 6 types for Ethernet media

COAX Transceivers, 10Mb series

APR, 07

1.0 SPECIFICATIONS

1.1 Technical Specifications

Performance

Filtering / Forwarding Rate:

Ethernet: 14,880 pps

Fast Ethernet: 148,800 pps

Gigabit Ethernet: 1,488,000 pps

Switching Processing Type: Store and Forward with IEEE 802.3x full-duplex flow -control, non-blocking

Data Rate: 10Mbps, 100Mbps and 1000Mbps

Address Table Capacity: 4K node, self-learning with address aging

Packet buffer size : 240KB for 10/100 and 120KB for 1000Mb

Latency: 6 μ s + packet time (TX – TX, TX – FX, FX – FX, TX - G, G - G)

Throughput with 16 10/100 and 4 Glink max- 8.33M pps (Transmit)

Back plane- 2.66Gb/s per slot

Network Standards and Compliance

Ethernet V1.0/V2.0 IEEE 802.3: 10BASE-T,

IEEE 802.3u: 100Base-TX, 100BASE-FX

IEEE 802.3z: 1000BASE-X Ethernet(Auto-negotiation)

IEEE 802.3ab: 1000BASE-X Ethernet

IEEE 802.1p: Priority protocol

IEEE 802.1d: Spanning tree protocol

IEEE 802.1w: Rapid Spanning tree protocol

IEEE 802.1q: VLAN Tagging

IEEE 802.3x: Flow Control

IEEE 802.3ad: Link Aggregation (Trunking)

IEEE 802.1x: Port based Network access control

IEEE 802.3af: Power over Ethernet(PoE)

Maximum 10 Mbps Ethernet Segment Lengths

Unshielded twisted pair - 100 m (328 ft)

Shielded twisted pair - 150 m (492 ft)

10BASE-FL multi-mode fiber optic - 2 km (6,562 ft)

10BASE-FL single-mode fiber optic - 10 km (32,810 ft)

Maximum Standard Fast Ethernet Segment Lengths:

10BASE-T (CAT 3, 4, 5 UTP) - 100 m (328 ft)

100BASE-TX (CAT 5 UTP) - 100 m (328 ft)

Shielded twisted pair - 150 m (492 ft)

100BASE-FX, half-duplex, multi-mode - 412 m (1350 ft)

100BASE-FX, full-duplex, multi-mode - 2.0 km (6,562 ft)

100BASE-FX, half-duplex, single-mode - 412 m (1350 ft)

100BASE-FX, full-duplex, single-mode - 20.0 km (65,620 ft)

100BASE-FX, full-duplex, Long Reach - 40.0 km (131,240 ft)

Maximum Standard Gigabit Ethernet Segment Lengths:

1000BASE-T (CAT5E or higher is recommended)	- 100 m
1000BASE-SX, full-duplex, multi-mode(62.5µm cable)	- 220m
1000BASE-SX, full-duplex, multi-mode(50µm cable)	- 550m
1000BASE-LX, full-duplex, single-mode(9µm cable)	-5Km

Fiber connector types supported:

- ST-type (twist-lock)
- SC-type (snap-in)
- MTRJ-type Small Form Factor (SFF)
- LC-type Small Form Factor (SFF)
- GBIC modules

LEDs: Per Port

LK: Steady ON when media link is operational

ACT: ON with receiver port activity

FDX/HDX: ON = Full-Duplex Mode
OFF = Half-Duplex Mode

100/10: ON = 100Mbps speed
OFF = 10 Mbps

Operating Environment

- UL 60950 “Component Parts” temp. ratings: 140° F (60°C)
- IEC 60068 “Type Test” ratings:- -40°to 185°F (-40°to 85°C)
- Ambient Relative Humidity: 5% to 95% (non-condensing)
- Altitude: -200 to 13,000 ft. (-60 to 4000m)
- Conformal Coating (Humidity Protection) option: Request quote

Packaging

- Enclosure: Rugged High strength metal. Suitable for stand-alone or rack-mounting
- Dimensions: 1.70in. H x 17.0in. W x 9.0in. D
4.32cm H x 43.2cm W x 22.9cm D
- Cooling method: Fan cooled, @ 25 cfm ea.

Management Console connector

DB-9 for RS-232 “ null-modem“ cable (sometimes called an X-modem cable)

Power Supply (Internal)

- AC Power Connector: IEC-type, male recessed at rear of chassis, with adjacent manual ON-OFF switch (optional if no Alarms Cont.)
- Input Voltage: 100 to 240 VAC (auto-ranging)
- Input Frequency: 47 to 63 Hz (auto-ranging)
- Power Consumption: 60 watts max (fully-loaded with fiber modules)
30 watts max (fully-loaded copper only modules)

Fuse required for replacement- 1 Amp

DC Power Supply (Options)

- 48VDC Power Input Voltage : -36 to -70 VDC
- Fuse Required – 2 Amps
- 24VDC Power Input Voltage : 20 to 40VDC

Fuse Required – 3 Amps

125VDC and 100VDC Input Voltage : 88 to 300VDC

Fuse Required – 1 Amp

Std. Terminal Block : “ -, GND, + ”

Power Consumption: same as for AC models, see above

Warning- All the fuse replacement must be replaced with same value.

For **(Optional)** DC internal power supplies at –48VDC, 24VDC and 125VDC, including Dual Source options (for continuity of operation when either of the DC input sources are interrupted), see Appendices B and C.

Cooling Method-

6K32F/ 6K32FR(Reverse)- Fan cooled (3 fans inside)

6K32FC / 6K32FRC(Reverse)- Convection cooled (No fans) Static Thermal design techniques

Relay Alarm Contact (Optional)

The Alarm Contact option is offered as a configuration option. The alarms can be initiated through two normally closed Form-C contacts, one loss of power alarm and one software alarm through user selectable software traps.

Per-port MDI or MDIX on RJ-45

The copper daughter board has MDI-MDIX Auto-crossover on all the RJ-45 ports which eliminates the use of cross-over cable between the devices. Also port-specific user settings (such as FDX or HDX, copper 10/100 speed) can be fixed using software commands.

Agency Approvals

UL listed (UL60950), cUL, CE, Emissions meet FCC Part 15, Class A

NEBS L3 and ETSI Compliant, NEMA TS-2 for traffic control

IEEE 1613 Class 2 Environmental Standard for Electric Power Substations.

See also **Note for Power Substations** in Section 3.2.4, 3.6.1, and 5.2.9

IEC61850 EMC and Operating Conditions Class C for Power Substations

Warranty: Three years, return to factory

Made in USA

For a Configuration Guide, see the GarrettCom web site at

http://www.garrettcom.com/techsupport/insertion_guides/6k32fcg.pdf (6K32F / FR)

http://www.garrettcom.com/techsupport/insertion_guides/6k32fccg.pdf (6K32FC / FRC)

Email mktg@GarrettCom.com for additional details.

1.2 Ordering Information

Magnum Managed Switch

<u>MODEL</u>	<u>DESCRIPTION</u>
--------------	--------------------

Magnum 6K32F or 6K32FR (Reverse model) 32-10/100 RJ-45 ports or 8 Gigabit ports managed switch with four modular slots which may be configured with a selection of 10/100/1000Mb fiber and copper connector types, max. 32 ports 10/100 or 8 ports Gigabit max., or combination.

Magnum 6K32F-48VDC: Same as 6K32F except power input is -48VDC

Magnum 6K32F-24VDC: Same as 6K32F except power input is 24VDC

Magnum 6K32F-125VDC: Same as 6K32F except power input is 125VDC

Magnum 6K32FR-48VDC: Same as 6K32F except reverse and power input is -48VDC

Magnum 6K32FR-24VDC: Same as 6K32F except reverse and power input is 24VDC

Magnum 6K32FR-125VDC: Same as 6K32F except reverse and power input is 125VDC

Magnum 6K32FC or 6K32FRC (Reverse model)- Convection cooled (no fans) managed switch, with four modular slots which may be configured with a selection of 10/100/1000Mb fiber and/or copper connector types, max. 32 ports 10/100 fiber or copper or 8 Gigabit ports.

Magnum 6K32FC-48VDC: Same as 6K32FC except power input is -48VDC

Magnum 6K32FC-24VDC: Same as 6K32FC except power input is 24VDC

Magnum 6K32FC-125VDC: Same as 6K32FC except power input is 125VDC

Magnum 6K32FRC-48VDC: Same as 6K32FC except reverse & power input is -48VDC

Magnum 6K32FRC-24VDC: Same as 6K32FC except reverse & power input is 24VDC

Magnum 6K32FRC-125VDC: Same as 6K32FC except reverse & power input is 125VDC

Configuration Options:

Each Magnum 6K32F Series base unit has four configurable port modules slot to be configured with any one of the port modules listed below:

Magnum 6K32F Series Port Modules (all modules include front panel)

6KP8-RJ45 TP Module, w/eight 10/100Mbps auto-negotiating RJ-45 ports

6KP4-F10ST "2+2" 10Mb Fiber module, w/ four 10Mb 2km FL ST connectors

6KP4-FXSC "2+2" 100Mb Fiber module, w/ four 100Mb 2km FX SC connectors

6KP4-FXST "2+2" ST Fiber module, w/ s, four 100Mb 2km FX ST connectors

6KP4-FLSTFX "2+2" ST Fiber module, w/ two 100Mb and two 10Mb ports, 2km

6KP6-RJMST "4+2" module, w/four RJ-45 ports and two 2km mm FX SC's

6KP6-RJMSC "4+2" module, w/four RJ-45 ports and two 2km mm FX ST's

6KP6-RJSSC "4+2" module, w/four RJ-45 ports and two 20km Sgl.m FX SC's

6KP6-RJSSCL "4+2" module, w/four RJ-45 ports and two 40km Sgl.m FX SC's

6KP8-MTRJ	SFF Fiber module, w/eight 100Mb mm FX MT-RJ connectors
6KP8-MLC	SFF Fiber module, w/eight 100Mbps mm FX LC connectors
6KP8-SLC	SFF Fiber module, w/eight 100Mbps sgl-m FX LC connectors
6KP8-45MT	“4+4” module, w/four RJ-45 ports and four 2km mm FX MT-RJ’s
6KP8-45MLC	“4+4” module, w/four RJ-45 ports and four 2km mm LC connectors
6KP8-45SLC	“4+4” module, w/four RJ-45 ports and four 15km Sm LC connectors
6KP6-MT10ST	“4+2” module, w/four MTRJ ports and two 10Mb 2km FL ST’s
6KP6-RJ10ST	“4+2” module, w/four RJ-45 ports and two 10Mb 2km FL ST’s
6KP8-45-2MT	“6+2” module, w/six RJ-45 ports and two 2km mm MTRJ connectors
6KP8-45-2SLC	“6+2” module, w/six RJ-45 ports and two 100Mb 15km sgl. mode FX LC connectors

Gigabit Modules, fixed ports, using Small form factor (SFP) transceivers (all modules include front panel)

6KP2-2GSFP	two port in one slot Gigabit 6K module, uses one 6K slot and provides two SFP Gb Fiber (1000BASE-SX Multi-mode) ports
6KP2-1GCU1SFP	two port in one slot Gigabit 6K module, uses one 6K slot and provides one SFP Gb Fiber (1000BASE-SX Multi-mode) port and one Gb Copper (1000BASE-RJ45 Auto-negotiating) port
6KP1-1GSFP	one port in one slot Gigabit 6K module, uses one 6K slot and provides one SFP Gb Fiber (1000BASE-SX Multi-mode) port
6KP1-1GCU	one port in one slot Gigabit 6K module, uses one 6K slot and provides one Gb Copper (1000 BASE-RJ45 Auto-negotiating) port

Gigabit Options (Modules using GBIC) (all modules include front panel)

6KP5-G4RJ	“G+4” module, with one GBIC open transceiver and four 10/100 RJ-45 connectors
6KP3-G2SC	“G+2” module, with one GBIC transceiver and two 100Mb 2km FX SC fiber ports connectors
GBPM-2OTX	Two port Gigabit module provides two GBIC open transceiver ports for a user-selectable GBIC transceiver module
GBPM-COTX	One slot Gigabit 6K module provides one GBIC open transceiver port for a user-selectable GBIC transceiver module
GBIC-SXSC	GBIC transceiver module for use in GBPM-xOTX. One 1000BASE-SX port with multimode SC fiber connector
GBIC-LXSC10	GBIC transceiver module for use in GBPM-xOTX. One 1000BASE-LX/LH port with 1310nm single mode SC(10km) fiber connector
GBIC-LXSC25	GBIC transceiver module for use in GBPM-xOTX. One 1000BASE-LX/LH port with 1310nm single mode SC(25km) fiber connector
GBIC-ZXSC40	GBIC transceiver module for use in GBPM-xOTX. One 1000BASE-ZX port with 1550nm, single mode SC(40km) fiber connector
GBIC-ZXSC70	GBIC transceiver module for use in GBPM-xOTX. One 1000BASE-ZX port with 1550nm, single. mode SC(70km) fiber connector.
GBIC-ZXSC120	GBIC transceiver module for use in GBPM-xOTX. One 1000BASE-ZX port with 1550nm, single. mode SC(120km) fiber connector.

GBIC-TP	GBIC transceiver module for use in GBPM-xOTX. One 802.3ab 1000BASE-T port with RJ-45 connector
Modules with Gb, not using GBICs (all modules include front panel)	
6KP5-1CU4RJ	“G+4” module, with one GBIC copper (Auto-negotiating) transceiver and four 10/100 RJ-45 connectors
6KP5-1CU4MT	“G+4” module, with one GBIC copper (Auto-negotiating) transceiver and four 100Mb MTRJ Fx-Multi-mode connectors
6KP3-1CU2FXT	“G+2” module, with one GBIC copper (Auto-negotiating) transceiver and four 100Mb ST Fx-Multi-mode connectors
6KP2-1CU1SX	two-port in one slot Gigabit 6K module, uses one 6K slot and provides one Gb Fiber SXSC (1000BASE-SX Multi-mode) port and one Gb Copper (1000BASE-RJ45 Auto-negotiating) port
6KP2-2GSX	two-port in one slot Gigabit 6K module, uses one 6K slot and provides two Gb Fiber SXSC (1000BASE-SX Multi-mode) ports
6KP2-2GCU	two-port in one slot Gigabit 6K module, uses one 6K slot and provides two Gb Copper (1000BASE-RJ45 Auto-negotiating) ports
6KM-BLNK	Blank cover for one 6K32F Series module slot opening in a Magnum 6K32F Series chassis
CONSOLE CBL	Industry standard serial cable, DB-9 connectors for RS-232 “ null-modem “ connection (sometimes called an Xmodem cable), used to connect a PC or a character terminal to the Management port.
CONSOLE USB	Console attachment cable, serial to USB, cable with one DB9 for the managed Switch and a USB interface for the USB connector to a PC.
MNS-6K License(Management software)-	Preloaded with the latest firmware, license costs included with each 6K base unit.

6K32F Series PoE Modules with 48VDC Pass-Through

Configuration options: All module slots of 6K32F Series switch with 48VDC power input may be configured with a PoE Module (typical configuration has slot A loaded first with PoE module)

P6KP8-RJ45	8 port PoE module for 6Ks with 48vdc PS, w/eight PoE power source 10/100 auto-negotiating auto cross RJ-45 ports.
P6KP8-45RJ	“4+4” port PoE module for 6Ks with 48vdc PS, w/four PoE power source and four 10/100 auto-negotiating auto cross RJ-45 ports
P6KP8-45MT	“4+4” port PoE module for 6Ks with 48vdc PS, w/four PoE power source and four 100 Mb 2km mm FX MTRJ connectors
P6KP8-45MLC	“4+4” port PoE module for 6Ks with 48vdc PS, w/four PoE power source and four 100 Mb 2km mm FX LC connectors
P6KP8-45SLC	“4+4” port PoE module for 6Ks with 48vdc PS, w/four PoE power source and four 100 Mb 15km sm FX LC connectors
P6KP8-45-2MT	“6+2” port PoE module for 6Ks with 48vdc PS, w/four PoE power source and two normal RJ-45 10/100 ports +two 100 Mb 2km mm FX MTRJ connectors
P6KP8-452SLC	“6+2” port PoE module for 6Ks with 48vdc PS, w/four PoE power source and four 100 Mb 15km Sm FX LC connectors
P6KP6-RJMST	“4+2” port PoE module for 6Ks with 48vdc PS, w/four PoE power source and two 100 Mb 2km mm FX ST connectors
P6KP6-RJMSC	“4+2” port PoE module for 6Ks with 48vdc PS, w/four PoE power source and two 100 Mb 2km mm FX SC connectors
P6KP6-RJSSC	“4+2” port PoE module for 6Ks with 48vdc PS, w/four PoE power source and two 100 Mb 20km sm FX SC connectors
P6KP6-RJSSCL	“4+2” port PoE module for 6Ks with 48vdc PS, w/four PoE power source and two 100 Mb 40km sm FX SC connectors
P6KP6-RJ10ST	“4+2” port PoE module for 6Ks with 48vdc PS, w/four PoE power source and two 10 Mb 2km sm FL ST connectors

6K32F Series PoE Modules with 48VDC Power Inside

NOTE: For configuring in 6K Switches having AC /125VDC power input

Configuration options: only one A, B, C or D (left to right) module slot of 6K32F Series switch with 48VDC power input may be configured with a PoE Module (typical configuration has slot A loaded with PoE module)

- 6KAC-PoE-PS** Power supply for PoE to 4 ports, 60 watts, mounts inside of a full-width rack-mount 6K switch with AC power input.
- 6K125VDC-PoE-PS** Power supply for PoE to 4 ports, 60 watts, mounts inside of a full-width rack-mount 6K switch with 125VDC power input.
- PI6KP8-45RJ** “4+4” port PoE module for 6Ks with 48vdc PS, w/four PoE power source and four 10/100 auto-negotiating auto cross RJ-45 ports
- PI6KP8-45MT** “4+4” port PoE module for 6Ks with 48vdc PS, w/four PoE power source and four 100 Mb 2km mm FX MTRJ connectors
- PI6KP8-45MLC** “4+4” port PoE module for 6Ks with 48vdc PS, w/four PoE power source and four 100 Mb 2km mm FX LC connectors
- PI6KP8-45SLC** “4+4” port PoE module for 6Ks with 48vdc PS, w/four PoE power source and four 100 Mb 15km sm FX LC connectors
- PI6KP8-45-2MT** “6+2” port PoE module for 6Ks with 48vdc PS, w/four PoE power source and two normal RJ-45 10/100 ports +two 100 Mb 2km mm FX MTRJ connectors
- PI6KP8-452SLC** “6+2” port PoE module for 6Ks with 48vdc PS, w/four PoE power source and four 100 Mb 15km sm FX LC connectors
- PI6KP6-RJMST** “4+2” port PoE module for 6Ks with 48vdc PS, w/four PoE power source and two 100 Mb 2km mm FX ST connectors
- PI6KP6-RJMSC** “4+2” port PoE module for 6Ks with 48vdc PS, w/four PoE power source and two 100 Mb 2km mm FX SC connectors
- PI6KP6-RJSSC** “4+2” port PoE module for 6Ks with 48vdc PS, w/four PoE power source and two 100 Mb 20km sm FX SC connectors
- PI6KP6-RJSSCL** “4+2” port PoE module for 6Ks with 48vdc PS, w/four PoE power source and two 100 Mb 40km sm FX SC connectors
- PI6KP6-RJ10ST** “4+2” port PoE module for 6Ks with 48vdc PS, w/four PoE power source and two 10 Mb 2km sm FL ST connectors

GarrettCom, Inc. reserves the right to change specifications, performance characteristics and/or model offerings without notice.

2.0 Introduction

2.1 Inspecting the Package and Product

Examine the shipping container for obvious damage prior to installing this product; notify the carrier of any damage that you believe occurred during shipment or delivery. Inspect the contents of this package for any signs of damage and ensure that the items listed below are included.

This package should contain:

- 1 Magnum 6K32F, 6K32FR, 6K32FC or 6K32FRC Managed Switch, base unit (configured with user-selected port module option in modular slot)
- 1 AC Power Cord (U.S. and other 115 VAC only)
- 1 Set of metal “Ears” for 19” rack mounting
- 1 Installation and User Guide (this manual)

Remove the items from the shipping container. Be sure to keep the shipping container should you need to re-ship the unit at a later date.

In the event there are items missing or damaged, contact the party from whom you purchased the product. If the unit needs to be returned, please use the original shipping container if possible. Refer to Section 6, Troubleshooting, for specific return procedures.

2.2 Product Description – Magnum 6K32FC / FRC (Convection cooled - No-fans) Managed Switch

All of the Magnum 6K32F Series of Ethernet Switches comply with **IEC61850 and IEEE1613 Utility Automation** and other industry standards.

The Magnum 6K32FC/FRC Managed Switches are specially designed with **convection cooling thermal design techniques** to minimize heat build up providing an efficient, economical, highly reliable, long lived and secure Ethernet solution for **heavy duty Industrial, Power sub-stations and temp-uncontrolled outdoor applications**. Specially designed and enclosed in a standard and “Reverse” aluminum case, the 6K32FC/FRC is proudly offered with modularity, port density (up to 32 ports max.) and security in a 1U rack-mount package.

The Magnum 6K32F Series are derived from the highly successful 6K managed switch family, with additional modularity in all 4 slots providing increased configurability provided by the numerous 6KP modules available.



Figure 2.2.1a: A typical 6K32FC Switch front view, 4 RJ-45 10/100 ports, 2 ST 10Mb FL ports, 8 ST 100Mb FX ports and 2 RJ45 Gigabit ports.

The Magnum 6K32F Series has the flexibility to configure up to thirty two 100Mb Fiber ports, or thirty two 10/100Mb Copper ports, or eight Gigabit(1000Mb) ports providing a combination of options to handle high and low bandwidth applications efficiently. The various Power over Ethernet (**PoE**) modules add the advantage for Magnum 6K32F Series users of providing secure and economical solutions for critical remote applications.

The preloaded robust and intuitive MNS-6K Managed Network firmware with multiple secured managed features is able to handle industry-standard IEEE 802.1p QOS prioritization and non-blocking wire speed on all ports. It provides high performance

switching services for both “smooth” streaming and “bursty” data traffic. For redundant LANs it offers S-ring, RS-Ring, Link-Loss-Learn, STP and RSTP. Optional **Security features include SNMPv3, SSL/SSH, 802.1X, TACACS+, Port Security, and Tagged VLANs as well as a secure, user friendly web based option.** IGMP Snooping and IGMP-L2 features provide most IGMP Layer 3 functions for multicast traffic with Magnum 6K-Switches thus enabling an economical solution without Routers or Layer 3 switches for streaming video applications.

See MNS-6K materials for further details about management software.

http://www.garrettcom.com/techsupport/software/userguides/mns6k_webmanual.pdf (web)

http://www.garrettcom.com/techsupport/software/userguides/mns6k_CLI.pdf (CLI)

Evolving mixed-media requirements for 10Mb and 100Mb fiber, copper, and 1000Mb Gigabit Ethernet can be simply and reliably handled by the Magnum 6K32F Series products.

The port flexibility feature is achieved using a large family of 6K modules with various copper and fiber capabilities built-in. High fiber port density is achieved using Small Form Factor LC or MTRJ connectors and multimode and single-mode fiber networks from 2 to over 100km are accommodated. Each module can support up to 8 ports of fiber or RJ-45 copper connectors as well as various fiber and copper combinations. Fixed one and two Gigabit fiber and copper modules are available along with modules for use with GBIC and SFP fiber and copper transceivers making this product adaptable to almost any network need. Modules are factory configured in a base chassis (or may be changed in the field by trained technicians) to adapt the unit to the user’s specific Ethernet media requirements.

The strong aluminum case and wide selection of power-input options including -48VDC, 24VDC, 125/110 VDC, 250VDC and universal 110/240VAC target the Magnum 6K32F Series for heavy-duty applications. The chassis rack mounting style of the 6K32FR / FRC is “Reverse” (with the ports and LEDs and the power-input and the management console connector all in the rear and a duplicate set of LEDs in the front). Rack widths accommodated include standard 19” RETMA, ETSI, and 23” Telco. The

AC, and -48VDC power input options are designed for Telco environments, while the 24VDC is designed for Industrial/Control Room applications. The 125 & 250VDC versions are for power sub stations applications.

Designed primarily for use in harsh, un-controlled temperature industrial applications, the Magnum 6K32FC / FRC provides secure, high performance plug-and-play hardware operation, 802.1p packet prioritization in hardware, and industry-standard managed networks software functionality with plenty of secure and remote monitoring features, all in convenient 1U rack-mount packages.

2.2.1a Magnum 6K32F / FR (Fan cooled) Managed Switch Chassis

The high port density and fan cooled Magnum 6K32F / FR was designed for heavy duty Carrier class and Industrial applications that require high port density and secure devices which save in cost, rack space and run cool to provide long term reliability. This rack mountable managed switch comes with a wide variety of AC/DC options to deliver effective and efficient solutions tailored to specific industrial applications.

The fan-cooled 6K32F/FR Series have the same four modular configurable slots as the 6K32FC/FRC models and offer the same flexibility of configuration. (see above).



Figure 2.2.1b: 6K32F front view, configured for 2 RJ-45 Gigabit ports, 4 ST 100Mb FX ports, 8 MTRJ 100Mb FX ports and 8 LC 100Mb FX ports

The modular option with four slots exemplifies this managed switch’s extra capability to meet any 10, 100 or Gigabit requirement effectively, satisfying almost any demand for complex Ethernet networks. The bandwidth demand of Triple Play “voice-data-video” over Ethernet will be handled efficiently.

The growing demand of security and “Ease of use” are the other adding features of this managed switch. The switch allows the users to secure their network through port security, Radius X, Tacacs+ and Snmpv3 and provide an effective solution of ease of use through “Secure Web based management and scripts feature to manage the 6K32F switch remotely”. The 6K32F loaded with robust MNS-6K firmware is specially

designed to meet the future demand of Ethernet requirements with cost-effective secure solutions. The Magnum 6K32F is also available in a Reverse model option, where the LEDs are on the front and the available ports along with the power supply area found on the rear side. This configuration is mostly used for the carrier-class market.

The modules which may be configured and used in the modular slots of the Magnum 6K32F Series are described here.

The Magnum 6K32F is preloaded with robust and intuitive MNS-6K Managed Network Software to handle industry-standard IEEE 802.1p QOS prioritization and non-blocking wire speed on all ports. It provides high performance switching services for both “smooth” streaming and “bursty” data traffic. For redundant LANs, it offers S-ring, RS-Ring, Link-Loss-Learn, STP and RSTP. Security features include SNMPv3, SSL/SSH, 802.1X, TACACS+, Port Security, and Tagged VLANs. See MNS-6K materials for further details about software.

2.2.2 Eight-port SFF fiber modules (6KP8-MTRJ, 6KP8-MLC), 100Mb fiber

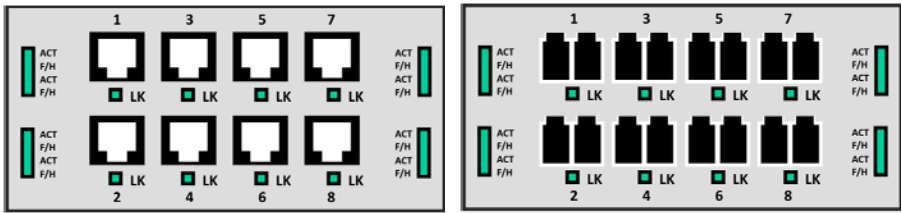


Fig.2.2.2 : SFF Fiber Port Modules, 6KP8-MTRJ (left) and 6KP8-MLC or -SLC (right)

In an eight-port SFF fiber port module, all of the fiber ports are of the same speed (100Mb), mode, and connector type. Models that are available with Small Form Factor (SFF) are multi-mode MT-RJ or LC-type connectors, and single-mode LC-type connectors.

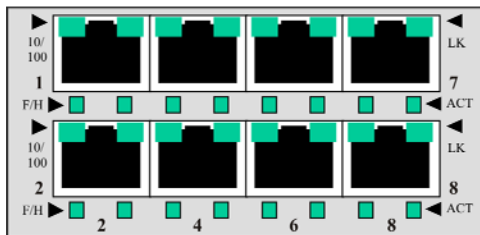
The 100Mb fiber eight-port modules for the Magnum 6K32F Series normally are set (factory default) to operate in full-duplex mode for best fiber distance and performance. Using the 6K32F Series MNS software, the user may select full- or half-duplex mode per-port through the set-up of the software (See the Magnum MNS-6K Software Manual for the flexibility to adapt to any FDX or HDX type of Fast Ethernet devices).

There are three LED’s per fiber port. The Link (LK) LED indicates “ready for operation” on that port when lit, the F/H LED indicates operation in full-duplex mode

when ON (half-duplex when OFF), and the blinking ACT LED indicates receiving Activity on the port. A fiber cable must be connected into a SFF port and the Link (LK) indicator for that port must be ON (indicating there is a powered-up device at the other end of the cable) in order for a LK LED to provide valid indications of operating conditions on that port.

2.2.3 Eight-Port Copper Module, 6KP8-RJ45 (MDIX)

The 6K-Series 8-port Copper port module, model 6KP8-RJ45, provides eight 10/100Mb switched RJ-45 ports. The 10/100Mb switched ports normally (as a default setting) are independently N-way auto-negotiating, and auto-crossover(MDIX) for operation at 10 or 100Mb speed in full- or half-duplex mode, i.e., each independently selects a mode and speed to match the device at the other end of the twisted pair cable.



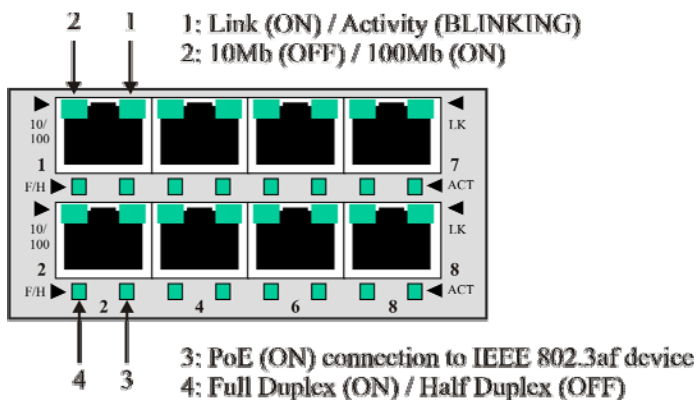
(See Section 4.3 for auto-negotiation and MDIX details). The auto-crossover feature will automatically determine the other side of the connection to make the connection, and eliminate the need of a cross-over cable.

On the model 6KP8-RJ45 module, there are four LEDs for each port, two in the connector and two separate. The LK (Link) LED indicates “ready for operation” on that port when lit. The blinking ACT (Activity) LED indicates receiving Activity on that port when lit. The 10/100 LED indicates operation at 100Mb speed when ON and at 10 Mb speed when OFF (when auto-negotiation is not disabled). The FDX/HDX LED is ON to indicate full-duplex operation and OFF to indicate half-duplex mode. A twisted pair cable must be connected into an RJ-45 port and the Link (LK) indicator for that port must be ON (indicating there is a powered-up device at the other end of the cable) in order for a LK LED to provide valid indications of operating conditions on that port.

Using the 6K8-Series (MNS-6K) management software, the user may disable auto-negotiation and fix the desired operation of each RJ-45 port. User may select 10Mb or 100Mb speed and full- or half-duplex mode per-port as per user requirement. (See Magnum MNS-6K Software Manual for details info.).

2.2.3a PoE(Power Inside), model PI6KP8-45RJ (MDIX), 8-port 10/100Mb

The *New* PoE RJ-45 ports act similar to regular RJ-45 ports, except they have capability of providing power on each port to power up the PD devices, per the IEEE802.3af PoE standard. Only 4 x RJ-45 (10/100) ports max. support POE(Power Inside) option in one rack mounted 6K-unit. The power inside PoE option is factory configured and equipped with the necessary power option to support four 802.3af PoE pd devices. The 4-RJ45 POE module are also available with mix –n-match with fiber modules. Please check the ordering information Sec.1.2. for all the various PI6K PoE modules option.



The LEDs on 6KP8-RJ45- PoE module are slightly different compared to regular (non-PoE) RJ-45 modules as shown in Fig 2. When the PoE port is in use, the PoE LED is ON when connected properly to an 803.af compliant PD device on that port. When non-PoE devices are connected, the PoE LED is OFF. Operation of Ethernet data traffic is not affected by PoE.

LINK and ACTIVITY LEDS are combined on the PoE modules into one LED that is marked as LINK/ACT, as shown in the diagram.

2.2.3b PoE(Power Pass-through), model P6KP8-RJ45 (MDIX), 10/100Mb 8-port

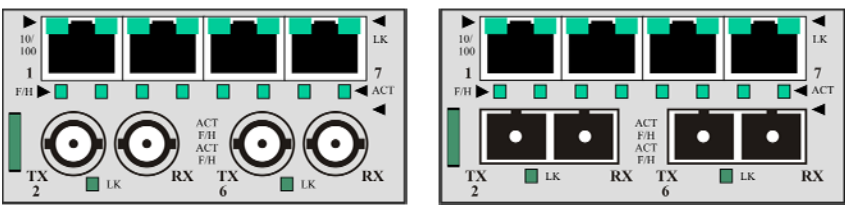
The PoE (Power-pass-through) RJ-45 ports act similar to regular RJ-45 ports, except they have capability of providing power on each port to power up the PD devices, per the IEEE802.3af PoE standard. The Power Pass-through PoE modules are totally dependent upon the powerful -48VDC input power supply to support more RJ-45 (10/100) ports. Each port requires at least 15watts to power up the PoE PD devices max. One PoE module can be configured in the A, B, C or D slot of any 6K s with -48vdc power input. The PoE modules are also available with mix & match fiber

Magnum 6K32F/FR/FC/FRC Managed Switch Installation and User Guide (05/08)
modules. Please check the ordering information Sec.1.2 for all the various P6K PoE
modules option.

The LEDs on 6KP8-RJ45- PoE module are slightly different compared to regular (non-PoE) RJ-45 modules as shown in Fig 2. When the PoE port is in use, the PoE LED is ON when connected properly to an 803.af compliant PD device on that port. When non-PoE devices are connected, the PoE LED is OFF. Operation of Ethernet data traffic is not affected by PoE.

LINK and ACTIVITY LEDS are combined on the PoE modules into one LED that is marked as LINK/ACT, as shown in the diagram.

2.2.4 Six-Port “4 + 2” Combo Modules, 4@ 10/100 RJ-45 and 2@100Mb fiber (ST or SC)



The combo six-port modules are combinations of copper and fiber media, available as four 10/100 switched RJ-45 copper ports and two 100Mb switched multi-mode fiber ST, SC or single mode SC or Long Reach SC ports. For ports numbering, ports 1,3,5,7 are copper, ports 2 and 6 are fiber, ports 4 and 8 are not present.

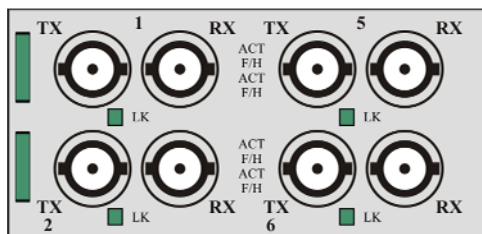
The four RJ-45 ports operate just like the 8-port copper module with the auto-cross (MDIX) feature to eliminate the use of cross-over cables, and the two fiber ports operate at 100Mbps full-duplex (default). User mode control per port through the MNS software is also the same.

On Magnum “4+2” Combo modules, there are four LED’s for each RJ-45 port, which indicate status the same as described for the 6KP8-RJ45 in Section 2.2.3 above. The fiber port’s LEDs indicate status the same way as described for the SFF fiber modules in Section 2.2.2 above. Color-coding on the panel of the module shows which LEDs belong to which port.

The Magnum Combo six-port modules are also available with 4@ MTRJ 100Mb mm SFF fiber and 2@10Mb fiber mm ST ports, and with 4@ RJ45 10/100 copper and 2@10Mb fiber mm ST ports.

The 4@ RJ-45 + 2@ 10 Mb ST operation of the SFF fiber and the RJ-45 half of the module is as described for those port types above. For detailed information about 10Mb mm ST fiber half of the module, see Section 2.2.5.

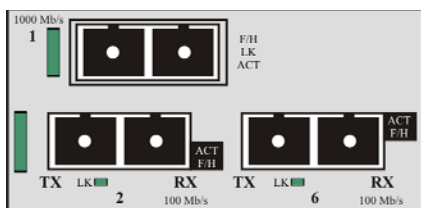
2.2.5 Four-Port 10 Mb mm Fiber ST Modules



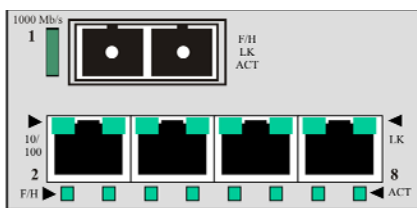
The 4port @10Mb ST fiber modules behave the same as the 8@100Mb ST fiber modules except for the 10Mb speed. For port numbering, ports 1, 2, 5, 6 are present, ports 3, 4, 7, 8 are not present. The default setup on the 10Mb fiber module is half-duplex, which allows the Magnum 6K32F Series Switch to connect to any 10Mb hub or media converter or almost any other device with a 10Mb fiber Ethernet port. User mode control per port through the MNS software is the same as the other 6K32F Series modules. The fiber ports support fiber cabling distances according to the 10BASE-FL standard, i.e., 2km distance for multi-mode fiber. (Single-mode for up to 10Kkm distance may be available as a special order configuration).

2.2.6 Gigabit (1000Mbps) port modules

The Magnum 6K32F Series switches offer wide options for Gigabit speed with multiple choices for the modular slot. The new Magnum 6K32F Series can be configured with eight Gigabit ports (copper or Fiber) maximum. The Gigabit port option for the modular slot comes in a couple of different configurations. The two Gigabit port modules have been offered as GBPM-20TX (fiber or RJ-45), whereas the single Gigabit module comes in flavors of G+4(10/100 RJ-45 ports) or G+2 (100Mb fiber ports) as shown below in the figure.



1 @ 1000Mb Fiber SC + 2 @ 100Mb SC



1 @ 1000Mb Fiber SC + 4 @ 10/ 100Mb

The 6K32F Series modules provide a GBIC opening for insertion of industry-standard GBICs to provide Gigabit (Gb) media flexibility. GBIC models are available for both multi-mode (550m) and single-mode (10, 25, 40, 70, 120)km fiber options, and for Gigabit copper as well with new models appearing often.

The 1000Mb Gigabit fiber-port modules on the Magnum 6K32F Series switches are normally set (factory default) to operate at AUTO mode for best fiber distance and performance. The 1000Mbps SC fiber-optic module on the Gigabit -SX and Gigabit-LX transceivers are compatible with the IEEE 802.3z Gigabit standards.

There are two LEDs mounted on each Gigabit port module. The Gigabit fiber port is by default configured to AUTO mode, and can be fixed at 1000Mbps speed full-duplex mode at any time. The Gigabit fiber port has LEDs that indicate LK (Link status) and ACT (receiving activity) on that port when lit.

For Dual Gigabit modules option, please check page#60 for details info.

2.2.7 Packet Prioritization, 802.1p QOS

Quality of Service means providing consistent predictable data delivery to users from datagram paths that go all across a network. As a LAN device, the Magnum 6K32F Series can do its part to prevent any QOS degradation while it is handling Ethernet traffic through its ports and buffers.

The Magnum 6K32F Series switching hardware supports the IEEE 802.1p standard and fulfills its role in support of QOS, giving packet processing priority to priority tagged packets according to the 802.1p standard. In addition to hardware support for QOS, the MNS software (R3) supports two priority queues that can be shared across the eight levels of defined packet priorities for application-specific priority control by the user through software configuration settings.

2.2.8 Frame Buffering and Flow Control

Magnum 6K32F Series are store-and-forward switches. Each frame (or packet) is loaded into the Switch's memory and inspected before forwarding can occur. This technique ensures that all forwarded frames are of a valid length and have the correct CRC, i.e., are good packets. This eliminates the propagation of bad packets, enabling all of the available bandwidth to be used for valid information.

While other switching technologies (such as "cut-through" or "express") impose minimal frame latency, they will also permit bad frames to propagate out to the Ethernet segments connected. The "cut-through" technique permits collision fragment frames (which are a result of late collisions) to be forwarded which add to the network traffic. Since there is no way to filter frames with a bad CRC (the entire frame must be present in order for CRC to be calculated), the result of indiscriminate cut-through forwarding is greater traffic congestion, especially at peak activity. Since collisions and bad packets are more likely when traffic is heavy, the result of store-and-forward operation is that more bandwidth is available for good packets when the traffic load is greatest.

When the Magnum 6K32F Series Switch detects that its free buffer queue space is low, the Switch sends industry standard (full-duplex only) PAUSE packets out to the devices sending packets to cause “flow control”. This tells the sending devices to temporarily stop sending traffic, which allows a traffic catch-up to occur without dropping packets. Then, normal packet buffering and processing resumes.

Another feature implemented in Magnum 6K32F Series Switches is a collision-based flow-control mechanism (when operating half-duplex only). When the Switch detects that its free buffer queue space is low, the Switch prevents more frames from entering by forcing a collision signal on all receiving half-duplex ports to stop incoming traffic.

2.2.9 Managed Network Software (MNS-6K) for Magnum 6K32F Series

Magnum 6K32F Series Switches come with licensed MNS-6K Firmware (Rel 4.0), which allows the configuration of the Magnum 6Ks as a Managed Switch and other Software enabled features. For additional information about MNS-6K, see the Magnum 6K-Series MNS **Software User guide** in pdf format, a separate document normally accessed via your web-browser, at <ftp://ftp.garrettcom.com/> or FTP client program by <ftp.GarrettCom.com> using

user : m6kuser

password : m6kuser

All MNS-6K software information, including new releases and upgrades related to MNS-6K software, can be accessed and download from GarrettCom’s FTP site.

Alternatively, for documentation and latest information on **GarrettCom proprietary MIBs for SNMP** visit

www.GarrettCom.com/techsupport/index.htm#software and look for Magnum MNS-6K info..

[Magnum MNS-6K Operator Training](#) – This interactive training software gives the basic and advanced information about the Magnum MNS-6K management software and is a useful tool for a first time user.

For further information, please email: support@GarrettCom.com .

For **upgrading the Magnum 6K32F Series Switch** to its latest Magnum 6K-Firmware, follow the steps and instruction provided on -

http://www.garrettcom.com/techsupport/software/upgrade_mns6k.pdf

2.3 Features and Benefits

■ **Managed switching for high performance Ethernet LANs**

Magnum 6K32F Series Switches provide non-blocking (all ports can run at full speed at once) performance with standard Managed Networks Software (MNS-6K) included. They are typically used in LAN traffic centers with 24 10/100Mb ports or one or two Gigabit ports for backbone connections where managed network services are desired.

■ **Switching services includes 802.1p QoS packet prioritization**

The Magnum 6K32F Series switching hardware supports QoS, giving packet processing priority to priority tagged packets according to the IEEE 802.1p standard. For port- and application-specific priorities, the QoS software may be configured by the user.

■ **Features Fiber-Built-In**

Magnum 6K32F Series Managed Switches are designed with modular slots to naturally include fiber ports and support mixes of the following; multi-mode and single-mode; 10 Mb, 100Mb and 1000Mb speed; full-and half-duplex; and classic Small Form Factor (SFF) and GBIC fiber connectors. RJ-45 10/100 ports can also be configured in the mix of port types.

■ **Modular design for port flexibility, in a 1U space-saving rack-mount package**

The 1U Magnum 6K32F Series chassis has 4 slots for port configurations. A family of 2, 4, 6 or 8 port modules allows the user to select the desired mix of port types and speeds. There are over 20 different modules in the family to choose from. The port modules are normally factory installed and tested, but may be changed in the field.

■ **Rack-mounting may be standard or “reverse”, 19 inch or ETSI or 23” Telco**

The standard rack mounting provides Ethernet ports and status LEDs in front, service connections (power input and management console) in the rear. “Reverse” rack mounting provides status LEDs in front and all cabling connections in the rear. Standard 19’ rack mount brackets are included, with ETSI and 23” Telco optional.

■ **Standard AC power input, -48VDC or 24VDC or 125VDC input is optional**

Standard AC power input has an IEC plug and is auto-ranging for worldwide use. For special applications, models with -48VDC or 24VDC or 125VDC are available. Dual Source DC input can also be selected and configured on the DC power input models.

■ **Heavy-duty design for Telco (NEBS tested) and other industrial environments**

Fiber ports take more power than copper ports, but the Magnum 6K32F Series design provides for this with heavy-duty components. The ambient temperature can be up to 55°C.

■ **MNS-6K licensed Network Management Software included, S-Ring/RS-Ring optional**

Release 4.0 includes SNMP, Secure Web Management, RMON, CLI, Port Security; Port Mirroring; Port Settings Control; Telnet, TFTP, FTP support, Spanning Tree Protocol, RSTP, LLL, S-Ring Redundancy Mgr, (optional) multi-level QoS, Port and Tag-based VLANs, GVRP, IGMP Snooping, SNMPc GUI support; BootP and DHCP

client for IP configuring, Radius X, TACACS+ etc.

- **MDI-MDIX Auto-negotiating on RJ-45 ports for convenient cascading using straight RJ-45 cable.**

- **Supports PoE module to provide power via RJ-45 cable on the modular slots.**

2.4 Applications

Magnum 6K32F Series Fiber Switches offer high performance along with four modular slot options to fulfill the choice of copper/Fiber, 10,100 or 1000Mb requirements. The 6K32F Series also offers MNS-6K management software loaded with multiple useful features. The Magnum IEC61850 6K32F Series Switches are used in a variety of Power sub-stations applications including, Industrials and temp. un-controlled, secure VLAN- performance upgrades to departmental networks, and LAN traffic centers that require Gigabit backbone services. The performance characteristic of the 6K32F Series Switches enables them to inter-connect a series of subnets (one subnet per 6K32F Switch port) in a LAN traffic center. The subnet connections may be via fiber or twisted pair cabling, 100Mbps or 10 Mbps speed, and full-or half-duplex mode.

The mixed-media capability in the modular slot is ideal for upgrading existing Ethernet LAN networks where existing cabling must be accommodated. The fiber-built-in media capability provides future-proof fiber cabling for the LAN structure. The secured management features offer a multiple options to provide a secure Network solution.

Example 1 : Magnum 6K32F Series Switch for a VLAN application

Equipped with lots of advanced management features, the Magnum 6K32F Series Managed switch is able to handle a VLAN application and provide security and performance in an Ethernet network center. A secure VLAN-enabled network is simply an administratively-configured broadcast domain. The network administrator determines which ports and nodes are in which broadcast domains by setting membership profiles for each of them. The Magnum 6K32F's VLAN capability can be configured in two types of virtual LANs; Port-based VLANs and Tag-based VLANs.

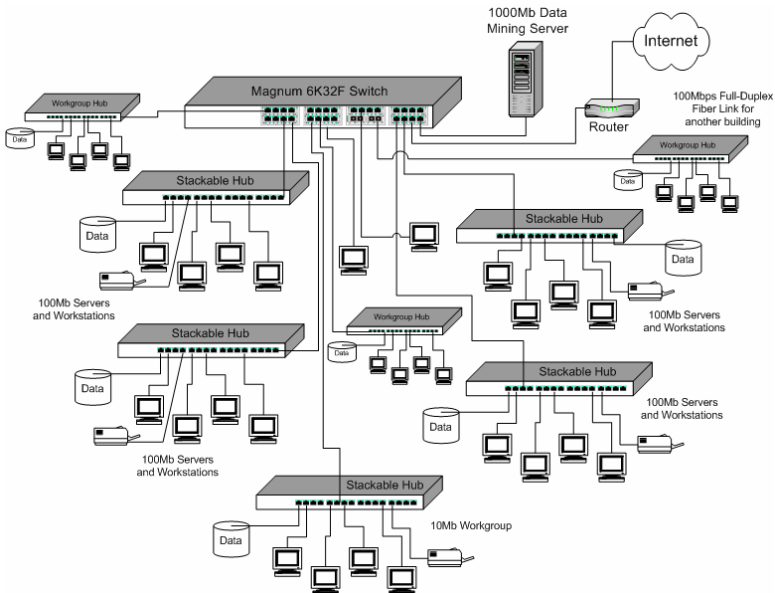
In an office environment where departments such as Finance, Engineering, R&D, and Marketing need to each keep a secure LAN, the 6K32F's VLAN feature will prevent traffic cross-over among traffic domains and thus keep sensitive data and information controlled. The Managed Magnum 6K32F Series equipped with VLAN capability is ideal for any application where a secure VLAN to multiple departments is needed.

The modularity of the 6K32F Series Managed Switch makes it an attractive choice for use in applications with LAN connections to an organization's multiple site offices. The different offices can be easily connected together with the Fiber ports supported by the Magnum 6K32F Switch. A main NT-server in a secure area protected from earthquake or fire hazards can be connected to one or two full duplex Gigabit Fiber ports.

Full-duplex future proof fiber media can easily connect long distance subnets and provide a stable secure network to all applications. The SNMP management capability of the Magnum 6K32F Series Switch helps create a database of all the network subnets to easily manage the network. Secure web-based management is also included, with authentication and encryption to keep out even determined trouble-makers.

Example 2.

In another Telecommunications storage data application, a secure managed switch is required to provide an Ethernet backbone for a diversified network with multiple subnets. The backbone consists of high speed LAN segments supported by



1000Mbps full-duplex future-proof fiber media to provide secure long distance LAN connections. The entire network is sharing a higher bandwidth Gigabit-enabled data-mining server for the vital database located in a separate secured building. The copper ports are required for multiple subnets inside the building. The entire spread network is

managed to provide easy, detectable, uninterrupted support through a viewable SNMP monitor.

The Magnum 6K32F Series Managed Switch equipped with copper and optional Gigabit fiber ports on modular slots provide an economical and seamless solution to the requirements. The user-configurable Magnum 6K32F Series provides an extra boost to the network requirements by providing copper/fiber media along with the higher bandwidth support of 10/100 and 1000Mb. The user can utilize the SNMP feature equipped with VLAN, Port security, 802.1X, and other security features to provide a secure and stable network as per the requirement

The 6K32F Series Managed Switch with NEBS Level 3 compliance and management flexibility allows the user more than one configuration alternative. The user has an advantage by fulfilling the present requirements as well as benefiting from the multiple choices of modules to support future expansion as the network evolves. The dual Gigabit port option in the modular slot boosts the bandwidth for high speed to support the peak traffic and minimize congestion.

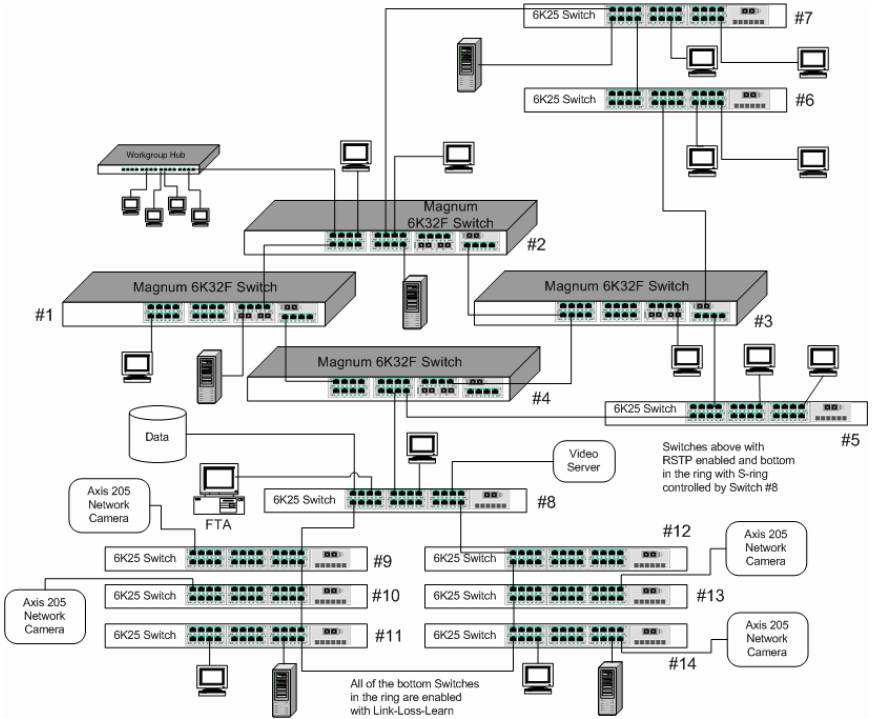
Example 3 Redundant Application

In a redundant application for high network availability where a rack-mountable managed switch with over 24 ports is required with dense port features, Magnum 6K32F's equipped with redundant LAN features like S-Ring, RSTP, Link-Loss-Learn and various security features are easily qualified for the application. The -48VDC input power option with Dual Source is especially useful in telecom central offices.

The Magnum 6K32F Series with two Gigabit ports in a modular slot allows it to connect into a Gigabit mesh structure with an RSTP and S-Ring combination used in a no-single-point-of-failure self-healing LAN topology along with a ring of multiple 6K25s at the edge to allow the system to efficiently recover from a fault in the network. The industry standard Rapid Spanning Tree Protocol 802.1d is used in the top eight switches (see diagram below) to perform GB mesh fault recovery, whereas the bottom ring setup has been configured with S-Ring and Link-Loss-Learn for faster recovery in a big ring.

A redundant LAN setup not only provides a reliable recovery solution from network faults, but also improves operating up-time to simplify maintenance, save money and recover valuable time. In a critical application where secure data has been stored in a data mining storage facility, a redundant network provides a more secure solution.

The figure below has Magnum 6K32F's and 6K25's connected over the gigabit mesh structure for a high bandwidth secure redundant LAN setup.



6K32F Series in a Redundant application

Example 4:

In a “(video+data)” application where a network being designed to catered the need of multicast streaming and broadcast traffic of higher bandwidth to provide a video conferencing and video in demand channel option to the user.

The Magnum 6K32F Series with two slots filled with Gigabit modules and a robust management firmware with MNS-6K qualify this requirement efficiently. The *New* IGMP L2-Mode feature on Magnum 6K32F’s and loaded with management capability and secure web feature fulfill this requirement effectively.

The Dual Giga option on each of the two slot add 4 Gigabit ports to handle the bandwidth requirement and 16 10/100 RJ-45 ports to feed the other needs of equipment connected to the 6K32F Series. The robust Tag based vlan feature will able to segregates different ports belong to one group and provide an effective solution for bandwidth. The SNMP option and secure web based will allow the remote capability and monitoring the network securely. The versatile mechanical design with rack mounting capability and AC/DC option will be an additional feature to take care of temperature and power option issue.

Equipped with IGMP-L2 mode enhanced features allow the Magnum 6K32F Series to meet the fastest growing application of video monitoring or video surveillance demand of industry and provide an economical and effective solution to meet that expectation.

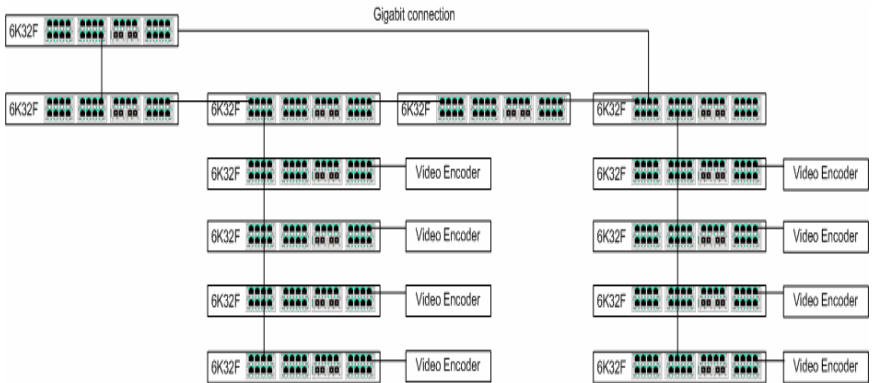


Figure 4: A multicast traffic through a 6K32F Series Switches using IGMP-L2 mode feature with Gigabit redundancy

3.0 Installation

Before installing the equipment, it is necessary to take the following precautions:

- 1.) If the equipment is mounted in an enclosed or multiple rack assembly, the environmental temperature around the equipment must be less than or equal to 60C for 6K32F Series Switches.
- 2.) If the equipment is mounted in an enclosed or multiple rack assembly, adequate airflow must be maintained for proper and safe operation.
- 3.) If the equipment is mounted in an enclosed or multiple rack system, placement of the equipment must not load unevenly or overload the rack system.
- 4.) If the equipment is mounted in an enclosed or multiple rack assembly, verify the equipment's power requirements to prevent overloading of the building/s electrical circuits.
- 5.) If the equipment is mounted in an enclosed or multiple rack assembly verify that the equipment has a reliable and uncompromised earthing path.
- 6.) 24vdc, -48vdc, and 125vdc must be installed in restricted access locations.
- 7.) CB-Circuit breaker of 10Amps should shown on top of Rack.

This section describes installation of the Magnum 6K32F Series Switches, as well as connection of the various Ethernet media types.

3.1 Locating Magnum 6K32F Series Switches

The location of a Magnum 6K32F Switch is dependent on the physical layout of the network. Typically the Switch is placed in a central wiring location where groups of network devices need to be connected in order to communicate with each other. These Switches are typically rack mounted in a wiring closet (see Section 3.3.2 below), but because they have rubber feet they can also be installed on a shelf or table top unit. The compact size allows it to be easily placed in an office or lab area, and it can also be either shelf or wall-mounted (see Section 3.3.1 below).

Locate an AC receptacle that is within six feet (2 meters) of the intended Magnum 6K32F site. The rugged metal case of the Magnum 6K32F Series will normally protect it from accidental damage in a lab or workplace setting. Maintain an open view of the front to visually monitor the status LEDs. Keep an open area around the unit so that cooling can occur from the small fans (6K32F / FR) on the left side while the unit is in operation.

3.2 Connecting Ethernet Media

The Magnum 6K32F Series Switches are specifically designed to support all standard Ethernet media types within a single Switch unit. This is accomplished by using a family of different port Modules which can be individually selected and configured per-port. See Section 2.4 for a description of the PMs.

The various media types supported along with the corresponding IEEE 802.3 and 802.3u standards and connector types are as follows:

<u>IEEE Standard</u>	<u>Media Type</u>	<u>Max. Distance</u>	<u>Port Module</u>
<u>Fiber:</u>			
1000BASE-FX	Multi-mode	220m (ft)	GBIC-SXSC
	Single-mode	70km	GBIC-ZXSC
100BASE-FX	Multi-mode	2.0km (6,562 ft)	6KP6-RJM5C, -RJM5T
	Single-mode	18.0km (95K ft)	-RJSSC, -RJSSCL
small form factor	Multi-mode	2.0km (6,562 ft)	6KP8-MTRJ, -MLC
small form factor	Single-mode	15 km	6KP8- SLC
<u>Copper:</u>			
10BASE-T			
100BASE-TX	twisted pair	100m (328 ft)	6KP8-RJ45
1000BASE-TX	twisted pair	100m (328 ft)	GBIC-TP

3.2.1 Connecting Fiber Optic ST-type, “twist-lock”

The following procedure applies to installations using a PM with ST-type fiber connectors. This procedure applies to ports using a 6K32F Series module, MST-type port.

1. Before connecting the fiber optic cable, remove the protective dust caps from the tips of the connectors on the PM. Save these dust caps for future use.
2. Wipe clean the ends of the dual connectors with a soft cloth or lint-free lens tissue dampened in alcohol. Make certain the connectors are clean before connecting.

Note: *One strand of the duplex fiber optic cable is coded using color bands at regular intervals; you must use the color-coded strand on the associated ports at each end of the fiber optic segment.*

3. Connect the Transmit (TX) port (light colored post) on the Magnum PM to the Receive (RX) port of the remote device. Begin with the color-coded strand of the cable for this first TX-to-RX connection.

4. Connect the Receive (RX) port (dark colored post on the PM) to the Transmit (TX) port of the remote device. Use the non-color coded fiber strand for this.
5. The LINK LED on the front of the PM will illuminate when a proper connection has been established at both ends (and when power is ON in the unit). If LINK is not lit after the cable is connected, the normal cause is improper cable polarity. Swap the fiber cables at the PM connector to try to remedy this situation.

3.2.2 Connecting Fiber Optic SC-type, "Snap-In"

The following procedure applies to installations using a PM with SC-type fiber connectors, i.e., using 6K-MSC or 6K-SSC (single mode) etc.

When connecting fiber media to SC connectors, simply snap the two square male connectors into the SC female jacks of the 6KPM until they click and are secure.

3.2.3 Connecting Single-Mode Fiber Optic

When using single-mode fiber cable, be sure to use single-mode fiber port connectors. Single-mode fiber cable has a smaller diameter than multi-mode fiber cable (9/125 microns for single-mode, 50/125 or 62.5/125 microns for multi-mode where xx/xx are the diameters of the core and the core plus the cladding respectively). Single-mode fiber allows full bandwidth at longer distances, and may be used to connect 10 Mb nodes up to 10 Km apart, or 18Km with the 6K-SSC.

The same procedure for multi-mode fiber applies to single-mode fiber connectors. Follow the steps listed in Section 3.2.2 above.

3.2.4 Connecting Twisted Pair (RJ-45, CAT3, CAT5, Unshielded or Shielded)

The RJ-45 ports of the Magnum 6K32F Series can be connected to the following two media types: 100BASE-TX and 10BASE-T. CAT 5 cables should be used when making 100BASE-TX connections. When the ports are used as 10BASE-T ports, CAT 3 may be used. In either case, the maximum distance for unshielded twisted pair cabling is 100 meters (328 ft).

<u>Media</u>	<u>IEEE Standard</u>	<u>Connector</u>
Twisted Pair (CAT 3, 4, 5)	10BASE-T	RJ-45
Twisted Pair (CAT 5)	100BASE-TX	RJ-45

NOTE : *It is recommended that high quality CAT. 5 cables (which work for both 10 Mb and 100Mb) be used whenever possible in order to provide flexibility in a mixed-speed network, since dual-speed ports are auto-sensing for either 10 and 100Mb/s.*

The following procedure describes how to connect a 10BASE-T or 100BASE-TX twisted pair segment to the RJ-45 port. The procedure is the same for both unshielded and shielded twisted pair cables.

1. Using standard twisted pair media, insert either end of the cable with an RJ-45 plug into the RJ-45 connector of the port. Note that, even though the connector is

shielded, either unshielded or shielded cables and wiring may be used.

2. Connect the other end of the cable to the corresponding device
3. Use the LINK LED to ensure proper connectivity by noting that the LED will be illuminated when the unit is powered and proper connection is established

NOTE: for Power Substations: *In support of the IEEE 1613 Class 2 standard, GCI advises that, for substation applications, the RJ-45 ports are intended for connectivity to other communication equipment such as routers or telecommunication multiplexers installed in close proximity (i.e., less than 2 meters or 6.5ft) to the 6K32. It is not recommended to use these ports in substation applications to interface to field devices across distances which could produce high (greater than 2500V) levels of ground potential rise (GPR) during line-to-ground fault conditions. The 6K32 passes the 1613 specifications for zero packet loss with fiber ports & with RJ45 ports used as indicated here.*

3.2.5 Connecting Twisted Pair (CAT-5e or better, Unshielded or Shielded)

The RJ-45 1000BASE-TX Gigabit ports of the Magnum 6K32F Series can be connected via copper media with the following minimum specifications; 1000BASE-T, CAT-5e, or for better results, 100-ohm UTP shielded twisted pair (STP) balanced cable. The CAT-5e or the more effective 100-ohm UTP shielded twisted pair (STP) balanced cable is recommended when making 1000BASE-TX connections. In either case, the maximum distance for unshielded twisted pair cabling is 100 meters (328 ft).

<u>Media</u>	<u>IEEE Standard</u>	<u>Connector</u>
Twisted Pair (CAT-5e)	1000BASE-T	RJ-45

NOTE : *It is recommended that high quality CAT-5e cables (which work for both 100 Mb and 1000Mb) be used whenever possible in order to provide flexibility in a mixed-speed network.*

The following procedure describes how to connect a 1000BASE-T twisted pair segment to the RJ-45 port. The procedure is the same for both unshielded and shielded twisted pair cables.

1. 1000BASE-T connections require that all four pairs or wires be connected. Insert either end of the cable with an RJ-45 plug into the RJ-45 connector of the port. Note that, even though the connector is shielded, either unshielded or shielded cables and wiring may be used.
2. Connect the other end of the cable to the corresponding device
3. Use the LINK LED to ensure proper connectivity by noting that the LED will be illuminated when the unit is powered and proper connection is established.

3.2.6 Gigabit SFP (Small Form-factor Pluggable) Optical Transceivers

The small form-factor pluggable (SFP) is a compact optical transceiver used in optical communications for both telecommunication and data communications applications. Due to its compact, hot pluggable characteristics, SFPs are becoming a very popular choice for various applications. The small-chassis Magnum 6K is designed for industry-standard Gb-SFPs and Gb-SFPCU (copper) for user selection of the SFP gigabit media type as desired.

All SFPs used in Magnum 6Ks are compliant with the industry standard Multi-Source Agreement (MSA) ensuring compatibility with a wide range of networking kit.



Side View ---Duplex LC connector -- Front view

Note: It is highly recommended to remove the fiber cable first before removing the SFP transceiver for any reason. Not removing the fiber cable first can damage the fiber cable, cable connector or optical interfaces. It is advised not to remove and insert a SFP transceiver frequently as this may shorten its useful life.



Note: Always use an ESD wrist strap while handling the SFP transceivers since the SFP modules are static sensitive devices.



Note: The copper 1000BASE-T SFP transceiver port supports 1000Mb only. It is recommended to use a straight-through RJ-45(4-twisted pair) connection while connecting to any Server/workstation. While connecting with any Switch/repeater or other device, it is recommended to use Crossover RJ-45 (4-twisted pair) category 5 or higher cabling. The maximum length supported on copper 1000BASE-T is 100mts (328 ft.).

The various SFPs transceivers supported by GarrettCom 6KQs D slot are-

Module Model#	Gigabit
Gb Modules, fixed ports--SFP (Small Form Factor)	
6KP2-2GSFP	2 SFP
6KP2-1GSFP1CU	1SFP 1 CU
6KP1-1SFP	1SFP
6KP1-1GCU	1 CU
Gb SFP fiber optic transceivers	
SFP-SX	Gb SX, 850nm wavelength, 500 m distance
SFP-LX10	Gb LX, 1310nm wavelength, 10km dist
SFP-LX25	Gb LX, 1310nm wavelength, 25km distance
SFP-ZX40	Gb ZX, 1550nm wavelength, 40km distance
SFP-ZX70	Gb ZX, 1550nm wavelength, 70km distance

3.2.7

Power Budget Calculations for Magnum 6K32F Series PM's with Fiber Media

Receiver Sensitivity and Transmitter Power are the parameters necessary to compute the power budget. To calculate the power budget of different fiber media installations using Magnum products, the following equations should be used:

OPB (Optical Power Budget) = $P_T(\text{min}) - P_R(\text{min})$

where P_T = Transmitter Output Power, and P_R = Receiver Sensitivity

Worst case OPB = OPB - 1dB(for LED aging) - 1dB(for insertion loss)

Worst case distance = {Worst case OPB, in dB} / [Cable Loss, in dB/Km]

where the "Cable Loss" for 62.5/125 and 50/125µm (M.m) is 2.8 dB/km,

and the "Cable Loss" for 100/140 (Multi-mode) is 3.3 dB/km,

and the "Cable Loss" for 9/125 (Single-mode) is 0.5 dB/km

and the "Cable Loss" for 9/125 (Single-mode) is 0.4 dB/km (LXSC25)

and the “Cable Loss” for 9/125 (Single-mode) is 0.25 dB/km(LXSC40)
 and the “Cable Loss” for 9/125 (Single-mode) is 0.2 dB/km (LXSC70)

The following data has been collected from component manufacturer’s (Agilent’s and Lucent’) web sites and catalogs to provide guidance to network designers and installers.

Fiber Port Module	Speed, Std.	Mode	Std. km fdx (hdx)	Wave - length nm	Cable Size μm	X'mitr Output P _T , dB	R'cvr Sens. P _R , dB	Worst OPB, dB	Worst* distance Km, fdx	typical OPB, dB	typical* distance Km, fdx
6KP4-F10ST	10Mb FL	Multi-Mode	2 (2)	850	62.5/125	-15.0	-31	14	5	17	6
					100/140	-9.5	-31	19.5	5.9	23.5	7
					50/125	-19.5	-31	19.5	3.4	13.5	4.8
6KPM-MST, MSC	100Mb FX	Multi-mode	2 (0.4)	1300	62.5/125	-20	-31	9.0	3.0	14	5
					50/125	-23.5	-31	5.5	2.0	12	4
6KPM-SSC	100Mb FX	Single-mode	18+ (0.4)	1300	9/125	-15	-31	14	28	17.5	35
6KPM-SSCL	100Mb FX	Single-mode	40 (0.4)	1300	9/125	-5	-34	29	58	32.5	65
6KPM-MTRJ	100Mb FX	Multi-mode	2 (0.4)	1300	62.5/125	-20	-31	9.0	3.0	15.8	5.5
					50/125	-23.5	-31	5.5	2.0	12.2	4.0
6KPM-MLC	100Mb FX	Multi-mode	2 (0.4)	1300	62.5/125	-19	-31	12	4	16	5.7
6KPM-SLC	100Mb FX	Single-Mode	15+ (0.4)	1310	9/125	-15	-28	11	22	-	-
GBIC-SXSC	1000Mb	Multi-mode	0.55	850	62.5/125 50/125	-9.5	-17	5.5	2	12.5	4
GBIC-LXSC10	1000Mb	Single-mode	10	1300	9/125	-9.5	-20	8.5	17	10.5	21
GBIC-LXSC25	1000Mb	Single-mode	25	1550	9/125	-4.0	-21	15	37.5	17.5	43
GBIC-ZXSC40	1000Mb	Single-mode	40	1550	9/125	-4.0	-21	15	60	17.5	70
GBIC-ZXSC70	1000Mb	Single-mode	70	1550	9/125	-3.0	-23	18	90	20.5	102

* Note: The use of either multi-mode or single-mode fiber to operate at 100Mbps speed over long distances (i.e., in excess of approx. 400 meters) can be achieved **only** if the following factors are both applied:

- The 100Mb fiber segment must operate in full-duplex (FDX) mode, i.e. the full-duplex (factory default) setting for 100Mbps fiber ports must be used.
- The worst-case OPB of the fiber link must be greater than the fiber cable’s passive Attenuation.

(Attenuation = Cable loss + LED aging loss + Insertion loss + safety factor)

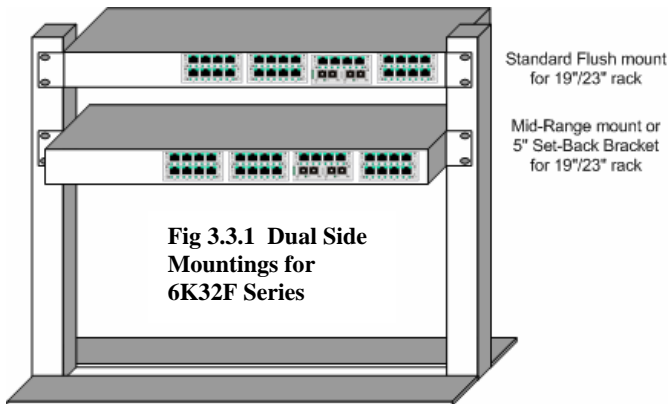
3.3 Table-Top or Shelf Mounting

The Magnum 6K32F Series Managed Switches can be easily mounted on a table-top or any suitable horizontal surface. They have four rubber feet to provide stability without scratching finished surfaces.

3.3.1 Rack-mounting (for 19" RETMA racks) Magnum 6K32F & 6K32FC

Installation of a Magnum 6K32F & 6K32FC Fiber Switch in a 19" rack is a simple procedure. The units are 1U (1.70") high. When properly installed, the front-mounted LED status indicators should be in plain view and easy to read.

Rack-mount installation requires special 19" rack-mounted brackets and screws (included with each Magnum 6K32F & 6K32FC unit). These brackets attach to the front sides of the Switch (regular package, not the Reverse version), which is then typically fastened into a standard 19" RETMA rack as shown here.



Important Note:
For adequate convection cooling, always install a 6K32FC switch with a minimum of 1/2U (0.875") air space above and below.

The 23" brackets and the ETSI (European metric, approx. 21") brackets are also available (optional) for rack-mounting the Magnum 6K32F & 6K32FC Switches. These brackets are popular in the Telco industry where they are a standard for Central Office rack-mounting purposes. The 23" and the ETSI brackets are mainly used for larger equipment.

These brackets are rack-mounted in a frame typically accessed in operation from both sides.

The bracket mounting holes in the sides of the Magnum 6K32F & 6K32FC permits it to be mounted in various ways. The same holes fit all three types (19", ETSI, and 23") of brackets. The mounting for the 23" is illustrated in Figure 3.3.1 below. The brackets may be attached flush with the front, or attached in the center for a set-back mounting which may reduce cabling torque.

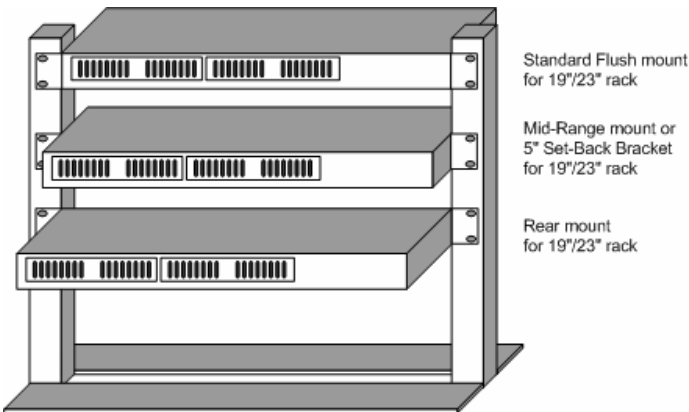
The optional 23" brackets and the ETSI (21") brackets each come as a pair in a package, along with the necessary screws for attaching the brackets to the sides of the Magnum Switch unit. They must be ordered as separate line items.

3.3.2 Rack-mounting, Reverse version of the Magnum 6K32FR & 6K32FRC

The optional Reverse Magnum 6K32FR/FRC Model has all of the cabling (Ethernet cabling, power cabling and console port cabling) connectors in the rear, and the status LEDs in the front. The status LEDs that are co-incident with the ports are still present, and a second or dual set of LEDs are used for status visibility in the front of the unit, showing the same data.

There are three options of brackets available to mount in the standard 19" frame, 23" frame, or ETSI (21") frame. The 19" brackets are included with each unit, the other two may be purchased as separate options.

With each bracket type, there are three different mounting options as shown in Fig. 3.3.2. The case of the Magnum 6K32F has mounting holes prepared for each of the mounting arrangements. Users may choose the mounting arrangement most suitable for their installation.



Important Note:
For adequate convection cooling, always install a 6K32FRC switch with a minimum of 1/2U (0.875") air space above and below.

Fig 3.3.2 Reverse Magnum 6K32F Series

3.4 Powering the Magnum 6K32F Series Managed Switch

The Magnum 6K32F Series Switches incorporate an internal universal power supply and have a recessed male IEC connector for the AC power cord at the left-rear. A manual power ON-OFF switch is adjacent. A six-foot 115 VAC 60 Hz standard power cord is supplied with each unit shipped within the United States and Canada.

The auto-ranging power supply supports installation environments where the AC voltage is from 90 to 260 volts with a power input frequency between 47 and 63 Hz.

The 32-port units will consume over 30 watts of power typically. When connecting the Ethernet cabling, there is no need to power down the unit. Individual segments can be connected or disconnected without concern for AC power-related problems or damage to the unit.

Power supply options are available to suit the 6K32F Series Switches to special high-availability communications and/or heavy industrial-grade applications, including:

- * -48VDC, 24VDC and 125VDC with single DC input,
- * -48VDC, 24VDC and 125VDC with dual-source DC input,

See the Appendices of this manual for more details. Use an RFQ for other variations.

3.4.1 Alarm Contacts for monitoring internal power, and Software Traps

The Alarm Contacts feature, optional on Magnum 6K32F Series, provides two Form C Normally Closed (NC) contacts to which the user can attach two sets of status monitoring wires at the green terminal block. When this option is present, the terminal block for Alarm Contacts is part of the Power Input panel in the Magnum 6K32F case. The AC or DC power input connection is in the same panel. A manual On-Off Switch for power to the unit is not available on 6K32F Series units with the Alarm Contacts option, as these two features occupy the same space in the case.

The first NC Alarm Contact (top position) is a “Software Alarm”, operated by user settings in the MNS-6K software. The user can disable the Software Alarm feature with a software configuration command if desired. When the Software Alarm is enabled, the Form C Normally Closed (NC) contact is held close during normal software operation. A user-defined software malfunction, such as an SNMP Trap, a Software Security violation or an S-Ring Fault, causes the contact to open and thus trigger an alarm in the user’s monitoring system

The second (bottom position) NC Alarm Contact is held close when there is power on the main board inside of the 6K32F. This provides a “Hardware Alarm” because the NC contacts will open when internal power is lost, either from an external power down condition or by the failure of the power supply inside of the Magnum 6K32F Series Switch. Useful info. about Alarm contacts:

1. There are four terminal blocks (1,2,3,4) provided next to the AC/DC power supply
2. The top two pins (1,2) are software operated
3. The bottom two pins (3,4) are hardware operated
4. By default it is NC (normally closed)
5. The software operation needs to be enabled and set to get the Alarm traps. For detailed information about the Software Alarm and software control of SNMP alarm traps, please reference the Magnum MNS-6K Software User Manual. (Chapter 19).

3.5 6K32F Series Port Module (6KPM) Installation

The Magnum 6K32F Series Switches are received from the factory with the customers required 6KPM modules installed. There may be situations where 6KPM cards need to be added or replaced. In cases where a 6KPM module needs to be added in the modular slots, the faceplate for an available front-mounted slot must be removed. The following procedure describes this operation.

3.5.1 Preparation for Installing and Removing 6KPMs

STOP!!!

Be sure the power cord and connections for all powers single or dual, is unplugged from the chassis before attempting to remove and/or replace any PM cards. Failure to do so may result in damage to the unit and will void the warranty.

Caution- Avoid Static Discharge: Opening of the 6K32F chassis can only be performed by trained service persons. **The port modules (like most electronic equipment) are sensitive to static discharge. Use proper ESD measures when handling port modules.**

Step 1. Make sure the 6KPM Card package has all necessary accessories to install it properly. Each 6KPM Card package for field installation contains (Daughterboard (Bigger) and Granddaughter board (smaller), three 5/8 stand offs for the Granddaughter board, seven #4-40 Pan-Head screws along with a Front panel face plate package. The Front panel faceplate package includes the front panel and four #4-40 Flat-Head screws.

NOTE: *Every 6KPM Card package comes with their matching Daughter and Granddaughter board. The copper 6KPM card should not work properly if mixed with other Fiber combo 6KPM card packages. Always install the PM module separately one by one to avoid the mixing.*

NOTE for Power Substations: *In support of the IEEE 1613 Class 2 standard, GCI advises that, for substation applications, the serial RJ-45 console ports are intended for temporary connectivity to other equipment such as PCs. Since the console port connection is temporary, it is excluded from IEEE 1613 packet-loss testing per the 1613 standard-defined test procedure.*

Step 2. Remove Chassis Cover

The Magnum 6K32F chassis are combined with top, bottom and module panel parts and assembled together with the help of 34 Philips-head screws. First Remove the side panel (2 screws located on the right side of chassis). Second, remove the module panel screws (total 16) as shown in the fig 3.5.1a. Third, remove the top cover screws (16 screws). Once these are removed, the top cover can be easily pulled off to the front from the chassis base, as shown in the Fig. 3.4.1b. When the chassis top cover has been removed, the interior of the unit is exposed.



Figure 3.5.1a: Removing module panels after the screws being removed

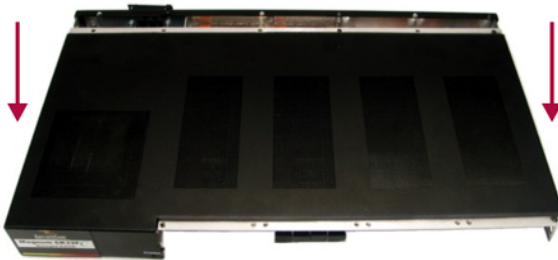


Fig 3.5.1b: Pulling out the top cover from the chassis base

Caution: Be careful not to disturb the power supply.

Looking down into the Magnum 6K32F Series unit, notice that there are individual PM installation spaces and female latch (white) connectors provided on the far right side of the main board along with four stand-off's for 6KPM card position. (See Figure 3.5.1c).

Figure 3.5.1c: Magnum 6K32F Series modular slot side (front-right side), without chassis cover

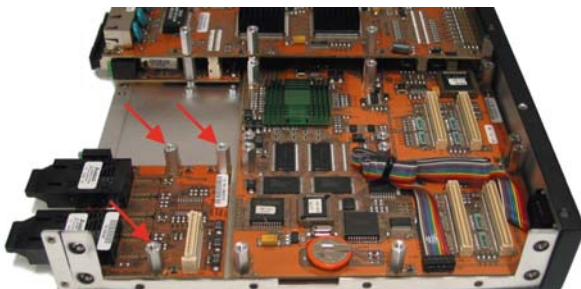


3.5.2 Installing 6KPM Cards in the Magnum 6K32F Series

Up to four front-mounted 6KPM cards may be installed in one Magnum 6K32F Series Managed Switch unit. Follow these steps to install a 6KPM.

- Step 1.** Remove top chassis cover. See procedure in Section 3.5.1 above.
- Step 2.** Place Granddaughter board (as shown in fig. 3.5.2a) on the chassis built in stand off (female) provided at the front of the 6K32F Main Board and screw down tightly with the three 5/8 stand-off (male) on the top of the Granddaughter board. The 5/8 stand offs are used to place the daughter board on the top of the granddaughter board and latch it securely.

Fig 3.5.2a: Granddaughter Board placed in modular slot and secured with three 5/8" stand-offs as shown with arrow mark



Step 3. The figure here illustrates the basic layout of an individual PM card. 6KPM card fits into the space provided on the main board over the grand-daughter Bd. and the male latched cream color connectors(as shown in below fig. with arrow mark).



Fig 3.5.2b: Daughter Board shown upside down with two male latch connectors

Step 4. Hold the daughter board with both hands at the end and align the two cream color latching connectors (male) placed at the bottom of the daughter board with the other female connectors placed on the Granddaughter and main board. As shown below in Fig. 3.5.2c

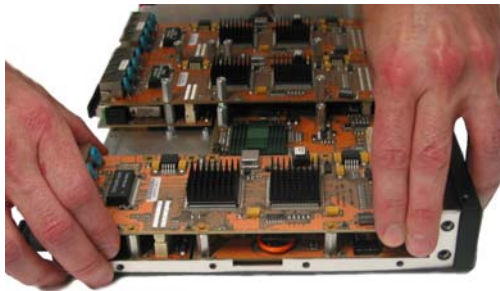
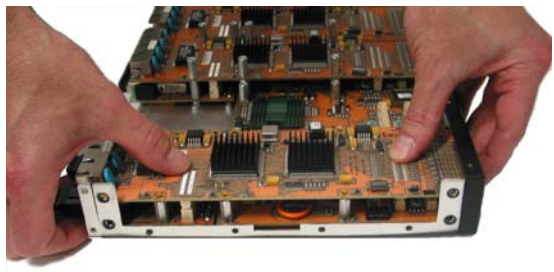


Fig 3.5.2c Daughter Bd. Being placed over the Granddaughter Bd. and the mating connector being matched to lockup properly

Step 5. Once the latching connectors are aligned properly and the mounting holes are aligned with stand offs then press slowly and firmly with two fingers (as shown below in Fig. 3.5.2d) on the top of the latching connectors until the connectors latch.

Fig.3.5.2d: Securely latching up 6KPM Cards into a Magnum 6K32F Series chassis



NOTE:. *When leaving 6KPM slots empty, always use a face plate (Magnum 6KM-BLNK) to cover the slot opening in the front panel. This will maintain proper cooling air flow, safety, and operation as required by FCC, CE, and other regulations.*

Step 6. Now screw down the daughter board with 7 #4-40 screws, except the last two at the end, so that it holds the daughter board securely. The figure below shows the top view of 6KPM card after successfully installing the 6KPM cards inside the Magnum 6K32F.

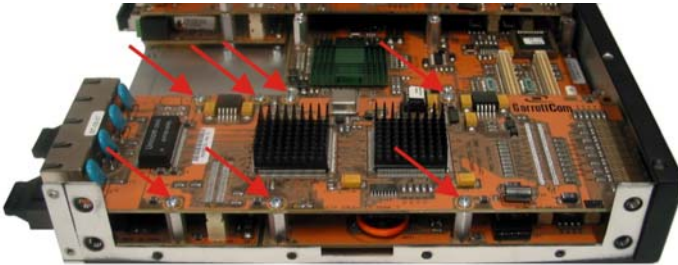


Fig. 3.5.2e Top View : 6KPM Module installed inside a 6K32F Series Switch

Step 7. Once the 6KPM cards have been installed, the chassis top cover can be placed by matching up the two front corners properly and sliding it in until it reaches the rear end and fits properly to match the holes. Make sure the chassis cover is aligned properly before securing the enclosure. Secure the cover with 18 #4-40 screws.

Step 8. Once the installation of cover is done properly, the front panel screen plates(included with the 6K-modules) need to be properly placed on the front of the chassis cover to complete the installation process.

3.5.3 Removing 6KPM Cards

To properly remove a 6KPM card from the 6K32F Managed Switch, follow the 3 steps below.

Step 1. Remove chassis cover See procedures in Section 3.5.1 above.

Caution: Be sure the power cord is unplugged.

Step 2. Remove retaining screws placed on top for the 6KPM

On the top of the daughter module there are seven retaining screws for each 6KPM card. These screws are used to secure a 6KPM card in position (see Figure 3.5.3a). Remove the three standoffs holding the Granddaughter board with the chassis.

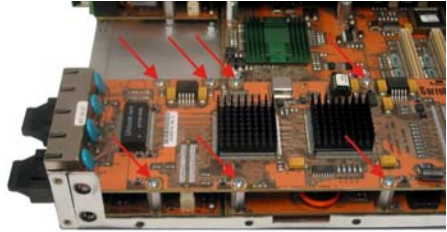


Figure 3.5.3a: Top View – 7 retaining screws shown by arrows

Step 3. Remove 6KPM Card

Carefully and gently pull out the daughter board from the latching connectors, using both hands, gripping the board near the latch-up connectors as shown in Fig. 3.5.3b. If the now empty slot is to remain unused, be sure to install a 6KM-BLNK face plate cover.



Figure 3.5.3b: Removing a 6KPM Card

Follow the step 8 to complete the process successfully.

NOTE:1. *If the modular slot has not being used and moved to other unit, the empty slot must be covered with Blank cover, to maintain proper air-inflow inside the unit and keep off from dust and other unavoidable substance, otherwise can cause a failure in the Switch.*

2. *If the PM module in the modular slot is not being installed properly or loose in connection, the MNS-6K management software will not boot-up properly and a error will generate as –{ failed to read register device type (offset 0x1600) on slot “A or B or C or D”}, whichever the slot has been used.*

3. *Always boot-up the Switch after any new module installation on modular slot to confirm the successful installation, before placing the chassis cover.*

3.6 Connecting the Console Terminal to Magnum 6K32F Series (Management)

Use a DB-9 “null modem” cable to connect the Magnum 6K32F Series Console Port (the RS-232 port on the 6K32F Switch) to the your PC, so that your PC becomes the 6K32F’s Console Terminal.

Note: The DB-9 cable does is not included with the 6K32F Series package.



Rear View of Magnum 6K32F Series

Note: For detail description of Managed Network Software (MNS-6K) and Magnum 6K32F Series Switch configuration for Network Management, please refer to Magnum 6K Software Manual available on GarrettCom’s FTP site. Detail info. about the MNS is available on 2.2.9 (see page no. 19) of this manual.

3.6.1 RS-232 (DB-9) Console Com port (Serial port) pin assignments.



DB-9 (Console port connector)

Pin	Signal	Description
1	CD	Carrier detect (not used)
2	RXD	Receive Data (input)
3	TXD	Transmit Data (output)
4	open	not used
5	GND	Signal Ground
6-9	open	not used

The above provided information enables a managed station (a PC or Console terminal) to

connect directly to the switch using a straight through cable.

Note: For using Console port to configure the managed switch, a serial (Null-modem) female to female cable is required to communicate properly. The Null-Modem (DB-9) cable is optional and can be order from the factory, along with the unit as-
CONSOLE CBL for serial port
CONSOLE USB for USB port

NOTE for Power Substations: *In support of the IEEE 1613 Class 2 standard, GCI advises that, for substation applications, the serial RJ-45console ports are intended for temporary connectivity to other equipment such as PCs. Since the console port connection is temporary, it is excluded from IEEE 1613 packet-loss testing per the 1613 standard-defined test procedure.*

4.0 OPERATION

This chapter describes the functions and operation of the Magnum 6K32F Series Switch.

4.1 Switching Functionality

A Magnum 6K32F Series provides switched connectivity at Ethernet wire-speed among all of its ports. The Magnum 6K32F Series support 10/100Mbps for copper media and 10 or 100Mb separate traffic domains for fiber ports to maximize bandwidth utilization and network performance. All ports can communicate to all other ports in a Magnum 6K32F, but local traffic on a port will not consume any of the bandwidth on any other port.

Magnum 6K32F Series units are plug-and-play devices. There is no software configuring necessary to be done for basic operation at installation or for maintenance. The only hardware configuration settings are user options for an UP-LINK Switch (resides inside the unit) on the 6KP8-RJ45 (modular port). Optional Half / Full duplex mode and 10 or 100Mbps selection for the switched ports must be configured through MNS-6K software per unit as per the requirement. The internal functions of both are described below.

Filtering and Forwarding

Each time a packet arrives on one of the switched ports, the decision is taken to either filter or to forward the packet. Packets whose source and destination addresses are on the same port segment will be filtered, constraining them to that one port and relieving the rest of the network from having to process them. A packet whose destination address is on another port segment will be forwarded to the appropriate port, and will not be sent to the other ports where it is not needed. Traffic needed for maintaining the operation of the network (such as occasional multi-cast packets) are being forwarded to all ports.

The Magnum 6K32F Series Switches operate in the store-and-forward switching mode, which eliminates bad packets and enables peak performance to be achieved when there is heavy traffic on the network.

Address Learning

All Magnum 6K32F Series units have address table capacities of 4K node addresses suitable for use in larger networks. They are self-learning, so as nodes are added, removed or moved from one segment to another, the 6K32F Switch automatically keeps up with node locations.

An address-aging algorithm causes least-used addresses to fall out in favor of frequently-used addresses. To reset the address buffer, cycle power down-and-up.

4.2 Status LEDs

For all Magnum 6K32F Series models :

- PWR:** Power LED, ON when external power is applied to the unit.
- LK:** Steady ON, Link status for 10 Mbps and 100Mbps operation.
- ACT:** ON with port activity for 10 Mbps and 100Mbps operation.
- F/H:** Full / Half duplex LED, ON when the port is running full duplex, OFF for half duplex.
- 100/10:** Speed LED, ON when the speed is 100Mbps , OFF when the speed is 10 Mbps

4.3 Auto-Cross (MDIX)Auto-negotiation, for 10/100Mbps RJ-45 ports

The 32 RJ-45 ports on Magnum 6K32F Series support auto-cross (MDI or MDIX) in the auto-negotiation mode according to the IEEE 802.3u standard. No crossover cables are needed when connecting the 6K32F's 10/100 copper ports to other unmanaged switches, legacy hubs, managed switches, media-converters etc. Please note that there can be conditions with managed switches where the switch manager fixes the port settings via software, and the result of the auto-negotiation is changed in the managed switch by the manager commands. In such cases, the 10/100 speed or the F/H mode may be affected, but auto-cross in the 6K32F Series Switches will still work. The auto-cross function can be disabled, if fixed the port at 10 or 100Mb through software..

The Managed Magnum 6K32F Series Fast Ethernet copper ports can be set for either fixed 100Mb speed or N-way auto-negotiation per the IEEE802.3u standard. The selection is made via 6K-MNS software. The factory default setting is for auto-negotiation. At 100Mb-fixed speed, the user may select half- or full-duplex mode by 6K-MNS Software for each RJ-45 port separately. For detail information see **Section 9 (Port Setup) of Magnum 6K32F Software user guide (MNS-6K)** . One frequently-used application for the Managed 6K32F Switch copper ports is to connect one of them using a fiber media converter to another Switch in the network backbone, or to some other remote 100Mb device. In this case, it is desirable to operate the fiber link at 100Mb speed, and at either half- or full duplex mode depending on the capabilities of the remote device. Standard commercially available Fast Ethernet media converters mostly do not support auto-negotiation properly, and require that the switched port to which they are connected be at 100Mb fixed speed. Attachment to 10/100 auto-negotiation ports typically will not work properly. The 6K32F Series Switch's RJ-45 ports handle this situation by configuring the ports as per desire through MNS software port settings and can check the port status of each port after the change.

When Magnum 6K32F Series RJ-45 copper ports are set for auto-negotiation and are connected to another auto-negotiating device, there are 4 different speed and F/H modes possible depending on what the other device supports. These are: (1) 100Mb full-duplex, (2) 100Mb half-duplex, (3) 10 Mb full-duplex and (4) 10 Mb half-duplex.

General information -

Auto-negotiation per-port for 802.3u-compliant switches occurs when:

- the devices at both ends of the cable are capable of operation at either 10 Mb or 100Mb speed and/or in full- or half-duplex mode, and can send/receive auto-negotiation pulses, and . . .
- the second of the two connected devices is powered up*, i.e., when LINK is established for a port, or
- the LINK is re-established on a port after being lost temporarily.

- **NOTE – Some NIC cards only auto-negotiate when the computer system that they are in is powered up. These are exceptions to the “negotiate at LINK – enabled” rule above, but may be occasionally encountered.**

The auto-negotiation logic will attempt to operate in descending order and will normally arrive at the highest order mode that both devices can support at that time. (Since auto-negotiation is potentially an externally controlled process, the original “highest order mode” result can change at any time depending on network changes that may occur). If the device at the other end is not an auto-negotiating device, the 6K32F’s RJ-45 ports will try to detect its idle signal to determine 10 or 100 speed, and will default to half-duplex at that speed per the IEEE standard.

When operating in 100Mb half-duplex mode, cable distances and hop-counts may be limited within that collision domain. The Path Delay Value (PDV) bit-times must account for all devices and cable lengths within that domain. For Magnum 6K32F Series Fast Ethernet switched ports operating at 100Mb half-duplex, the bit time delay is 50BT.

4.4 Flow-control, IEEE 802.3x standard

Magnum 6K32F Series Switches incorporate a flow-control mechanism for Full-Duplex mode. The purpose of flow-control is to reduce the risk of data loss if a long burst of activity causes the switch to save frames until its buffer memory is full. This is most likely to occur when data is moving from a 100Mb port to a 10 Mb port and the 10Mb port is unable to keep up. It can also occur when multiple 100Mb ports are attempting to transmit to one 100Mb port, and in other protracted heavy traffic situations.

Magnum 6K32F Series Switches implement the 802.3x flow control (non-

blocking) on Full-Duplex ports, which provides for a “PAUSE” packet to be transmitted to the sender when the packet buffer is nearly filled and there is danger of lost packets. The transmitting device is commanded to stop transmitting into the 6K32F’s Switch port for sufficient time to let the Switch reduce the buffer space used. When the available free-buffer queue increases, the Switch will send a “RESUME” packet to tell the transmitter to start sending the packets. Of course, the transmitting device must also support the 802.3x flow control standard in order to communicate properly during normal operation.

Note: When in Half-Duplex mode, the 6K32F’s Switch implements a back-pressure algorithm on 10/100 Mb ports for flow control. That is, the switch prevents frames from entering the device by forcing a collision indication on the half-duplex ports that are receiving. This temporary “collision” delay allows the available buffer space to improve as the switch catches up with the traffic flow.

5.0 Magnum 6K32F Series Managed Switch Port Modules

This chapter describes each Port Module (PM), including appearance, functionality, and status displays.

5.1 Inspecting the Package and Product

This section applies only to PMs shipped as separate items, i.e., 6K32F Series PMs not factory installed in a Magnum 6K32F modular slot.

Examine the shipping container for obvious damage prior to installing a 6K32F Series PM; notify the carrier of any damage you believe occurred during shipment or delivery. Inspect the contents of this package for any signs of damage and ensure that the items listed below are included.

This package should contain:

6K32F Series PMs

Installation instructions, with illustrations

Remove the 6K32F Series PM(s) from the shipping container. Be sure to keep the shipping container should you need to ship any of the PMs separately at a later date. In the event there are items missing or damaged, contact your supplier. If you need to return the unit, use the original shipping container if possible. Refer to Chapter 5 for specific return procedures.

5.2 6KPM Module Description

An important feature of the Magnum 6K32F Series is the use of one Port Module for flexible mixed-media connectivity to RJ-45 and fiber media in the

modular slot. Since the Magnum 6K32F Series Switches have dual-speed capability for copper ports, the 6 or 8-port interfaces are designed to support all standard Ethernet media types at 10 or 100Mbps speed. Each 6K32F PM can provide two, four, six or eight ports for connecting Ethernet segments with its individual connector type and media.

For a list of 6K32F Series Port Module types, refer to Section 1.2

Each 6K PM is individually described in the following sections.

NOTE: The port #1 on the RJ-45 ports on all the modules, either all RJ-45 ports or used for COMBO module is set as (=) as other ports.

5.2.1 6KP6-RJMST, 4@10/100Mbps RJ-45 and 2@100Mb multi-mode FX-ST “twist lock” Combo Module

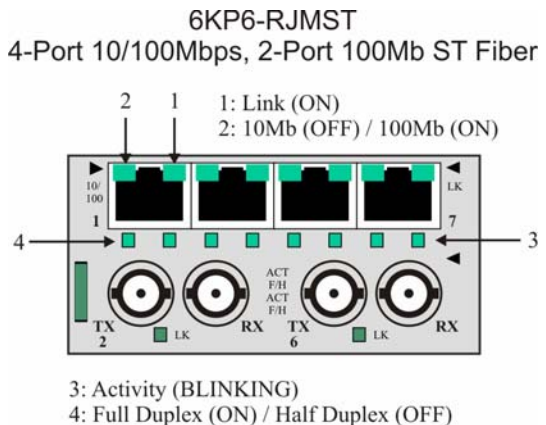
The Magnum 6KP6-RJMST is a combo 6 port module of RJ-45’s at 10/100Mbps and fiber optic ports at 100MB. The Combo module is equipped with dual-mode ST-type connectors and dual speed copper ports. The ST-connector functions as a fiber optic transceiver to support 100BASE-FX network

segments. When installed in a Magnum 6K32F Series Managed Switch, the copper port supports the standard distance 100m on each port and the fiber port supports fiber optic cable distances up the IEEE-standard 100Mbps distance limits, i.e., typically 2km at full-duplex and 412m at half-duplex.

Each port has an Activity (ACT) LED indicating packets being received, a Link (LK) LED that indicates proper connectivity with the remote device when lit, and FDX/HDX LED to indicate full-duplex mode when lit (or half-duplex when off). The 10/100 LED indicates the speed, if the LED is ON 100Mbps if it is OFF 10Mbps.

5.2.1a 6KP6-RJ10ST, 4@10/100Mbps RJ-45 and 2@10Mb multi-mode FX-ST “twist lock” Combo Module

The 6KP6-RJ10ST is a six port combo module that looks similar to the 100Mb combo module with the exception of 10Mb speed at the ST fiber module. The ST-



connector functions as a fiber optic transceiver to support 10BASE-FX network segments. When installed in a Magnum 6K32F Series Managed Switch, the copper port supports the standard distance 100m on each port and the fiber port supports fiber optic cable distances up to the IEEE-standard 10Mbps distance limits, i.e., typically 2km at full-duplex and half-duplex.

Each port has an Activity (ACT) LED indicating packets being received, a Link (LK) LED that indicates proper connectivity with the remote device when lit, and FDX/HDX LED to indicate full-duplex mode when lit (or half-duplex when off). The 10/100 LED indicates the speed, 100Mbps if the LED is ON, 10Mbps if it is OFF,.

5.2.1b 6KP4-F10ST, 4@10Mb multi-mode FX-ST “twist lock” Module

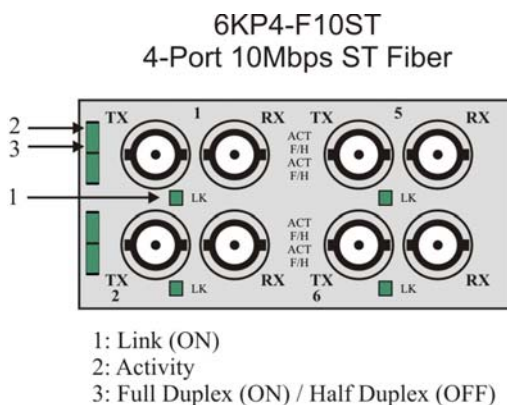
The Magnum 6KP4-F10ST is a 10Mb multi-mode fiber module with 4 ST-Fiber ports. All four fiber ports are ST connectors and configured as 10Mb Half-duplex by default. The 10Mb ST-fiber ports allow the user to connect their legacy 10Mb network to the Magnum 6K32F Series switch. They also provide a convenient way for the half

duplex hub to connect to the switch through 10Mb fiber ports. It supports distances according to the 10Base-FL standard i.e, 2Km distance for multi-mode fiber. (Single-mode for 10Km distance may be available as a special order).

Each port has an Activity (ACT) LED indicating packets being received, a Link (LK) LED indicating proper connectivity with the remote device when lit, and FDX/HDX LED indicating full-duplex mode when lit (or half-duplex if off).

5.2.1c 6KP4-FLSTFX, 2@10Mb and 2@100Mb multi-mode FX-ST “twist lock” Module

The Magnum 6KP4-FLSTFX is a combo fiber module with two 10Mb + two 100Mb multi-mode fiber module for a total of 4 ST-Fiber ports. All four fiber ports are ST connectors and configured as 10Mb Half-duplex by default for 10Mb fiber and 100Mb Full duplex for the 100Mb fiber. The 10Mb ST-fiber ports allow the user to connect their legacy 10Mb network to the Magnum 6K32F Series switch. They also



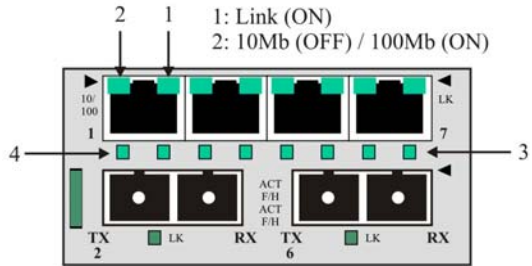
provide a convenient way for the half duplex hub to connect to the switch through 10Mb fiber ports. Whereas the 100Mb ST module allows it to connect the 100Mb demand of the Switch devices. It supports distances according to the 10Base-FL standard i.e, 2Km distance for multi-mode fiber. (Single-mode for 10Km distance may be available as a special order).

Each port has an Activity (ACT) LED indicating packets being received, a Link (LK) LED indicating proper connectivity with the remote device when lit, and FDX/HDX LED indicating full-duplex mode when lit (or half-duplex if off).

5.2.2. 6KP6-RJMSC 4@10/100Mbps RJ-45 and 2@100Mb multi-mode FX-SC “snap-in” Fiber connector

The Magnum 6KP6-RJMSC is also a Combo 6 Port module equipped with 4 10/100Mb RJ-45 ports along with 2 multi-mode 100Mbps fiber optic transceivers all in one module. This is similar to the 6KP6-RJMST. It has the same LEDs indicating port activity (ACT), Link (LK), and FDX / HDX and 10/100 operation, and the same face-plate lettering.

6KP6-RJMSC
4-Port 10/100Mbps, 2-Port 100Mb SC Fiber



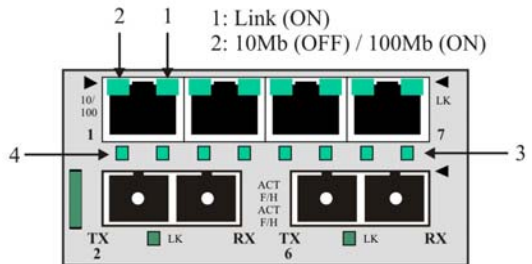
3: Activity (BLINKING)
4: Full Duplex (ON) / Half Duplex (OFF)

While the functionality of these two modules is essentially the same, the 6KP6-RJMSC is equipped with an SC-type "snap-in" connector instead of an ST-type.

5.2.3 6KP6-RJSSC 4@ 10/100Mbps RJ-45 Ports and 2@100Mbps single-mode FX-SC-type, “snap-in” connector

The Magnum 6KP6-RJSSC is also a Combo module equipped with 4 dual speed copper ports and 2 Single-mode SC-type connectors. It provides an advantage through combining copper and Fiber

6KP6-RJSSC
4-Port 10/100Mbps, 2-Port 100Mb SC Fiber



3: Activity (BLINKING)
4: Full Duplex (ON) / Half Duplex (OFF)

functions in one module of the 6K32F Series Switch supporting four Copper and two single-mode fiber network segments.

The 6KP6-RJSSC, when installed in a Magnum 6K32F Series Switch operates on copper at the 100m distance. The Fiber is single-mode and cable lengths can be as much as 25+ Km (see Power Budget, Section 4.5)

Each port has an Activity (ACT) LED indicating packets being received, a Link (LK) LED that indicates proper connectivity with the remote device when lit, and a FDX/HDX LED to indicate full-duplex mode when lit (or half-duplex when off). The 10/100 LED indicates 100Mbps speed when lit and 10Mbps speed when off. To distinguish the single-mode 6KP6-RJSSC from the multi-mode 6KP6-RJMSC, the label “Sgl. M.” is at the top of the faceplate of the 6KP6-RJSSC.

5.2.4 6KP6-RJSSCL 4 @ 10/100 Mb copper port and 2@100Mbps single-mode FX-SC-type, “snap-in” connector

The Magnum 6KP6-RJSSC is also a Combo module equipped with 4 dual speed copper ports and 2 Single-mode (Long Reach) SC-type connectors. It provides a combination of copper and Fiber functions in one module to the 6K32F Series Switches, supporting four Copper and two single-mode (Long-Reach) fiber network segments.

The 6KP6-RJSSC, when installed in a Magnum 6K32F Series Switch has copper supporting the 100m distance and Fiber supporting single-mode fiber cable lengths of as much as 40+ Km (see Power Budget, Section 4.5)

Each port has an Activity (ACT) LED indicating packets being received, a Link (LK) LED indicating proper connectivity with the remote device when lit, and a FDX/HDX LED indicating full-duplex mode when lit (or half-duplex when off). The 10/100 LED indicates the speed for the copper port, which is 100Mbps when the LED is ON and 10 Mb when the LED is OFF.

5.2.4a 6KP6-RJ10ST 4 @ 10/100 Mb copper port and 2@10Mbps multi-mode FL-ST-type, “twist-lock” connector

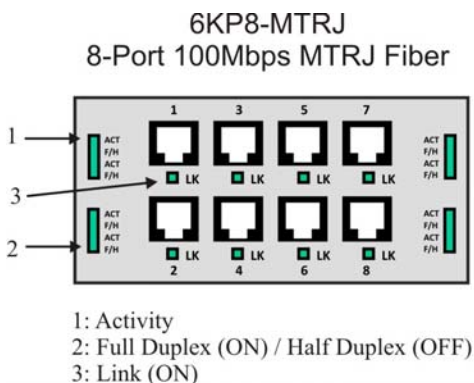
The Magnum 6KP6-RJ10ST is also a Combo module equipped with 4 dual speed copper ports and 2 multi-mode 10 Mb fiber ST-type connectors. It provides a combination of copper and Fiber functions in one module to the 6K32F Series Switches, supporting four Copper and two 10Mb of ST fiber network segments.

The 6KP6-RJ10ST, when installed in a Magnum 6K32F Series Switch has copper supporting the 100m distance and Fiber supporting the multi-mode fiber cable. This allows it to connect the legacy network 10Mb requirement in the network. Each port has an Activity (ACT) LED indicating packets being received, a Link (LK) LED

indicating proper connectivity with the remote device when lit, and a FDX/HDX LED indicating full-duplex mode when lit (or half-duplex when off). The 10/100 LED indicates the speed for the copper port, which is 10Mbps when the LED is ON and 10 Mb when the LED is OFF.

5.2.5 6KP8-MTRJ, 8 @100Mb multi-mode FX , MTRJ Small-Form-factor

Magnum 6KP8-MTRJ is a multi-mode fiber optic 8-port module equipped with a small-form-factor MTRJ-type connector. It looks almost like an RJ-45 port, but it is black in color. The MT-RJ's small size and ease of connection make it a good choice for 100Mbps “fiber-to-the-desktop” Ethernet connectivity. When installed in a Magnum 6K32F Series Switch, it supports fiber optic cable distances up to the IEEE-standard 100Mbps distance limits, i.e., typically 2km at full-duplex and 412m at half-duplex.



The functionality of this 100BASE-FX multi-mode 8 Port module is essentially the same as the ST and SC-types. It has the same LEDs per port indicating port activity (ACT), Link (LK), and FDX or HDX operation.

5.2.5a 6KP6-MT10ST, 4 @100Mb multi-mode FX , MTRJ Small-Form-Factor and 2@ 10Mb Multi-mode ST-Fiber port

The 6KP6-RJ10ST is a combo module with two different kinds of fiber flavor with two different speeds. The top four ports of MTRJ Small form factor fiber support at 100Mb full-duplex, whereas the bottom two ports multi-mode ST-Fiber support 10Mb half-duplex. This combo module provides more flexibility to the user to connect their legacy 10Mb fiber as well as 100Mb to the Magnum 6K32F Series Switch.

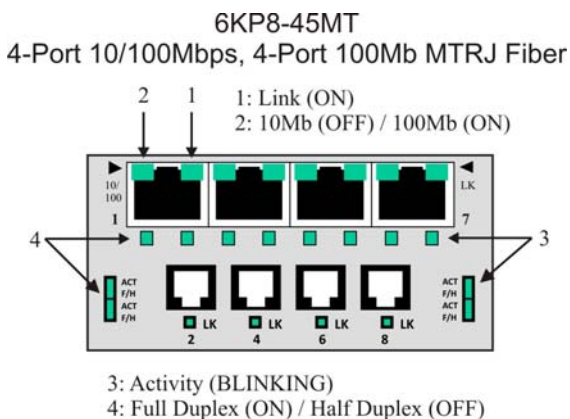
When installed in a Magnum 6K32F Series Switch, the 100Mb MTRJ connector supports fiber optic cable distances up to the IEEE-standard 100Mbps distance limits, i.e., typically 2km at full-duplex and 412m at half-duplex. The 10Mb Multi-mode ST-Fiber connector supports the standard fiber optic distance limit of 2Km at Full and Half-duplex both.

The functionality of this 100BASE-FX multi-mode 4 port module is essentially

the same as the ST and SC-types. It has the same LEDs per port indicating port activity (ACT), Link (LK), and FDX or HDX operation

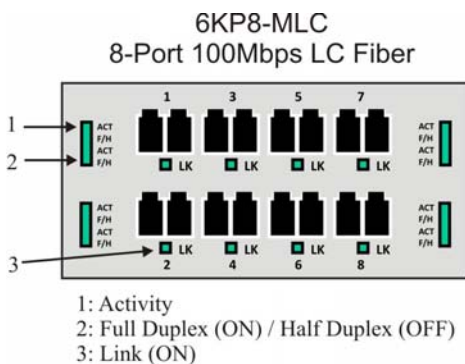
5.2.6 **6KP8-45MT, 4@ 10/100Mbps RJ-45 and 4@ 100Mb multi-mode FX , MTRJ Small-Form-Factor**

The Magnum 6KP8-45MT Module is a combo module with copper and fiber (Small Form Factor) MTRJ type ports. The small size of MTRJ connectors give an advantage of placing more ports on one module. The 6KP8-45MT is equipped with 4 10/100 RJ-45 ports and 4 MTRJ fiber ports. When installed in a Magnum 6K32F Series Switch, it supports the standard distances as mentioned on 5.2.3. and the LEDs also act similarly.



5.2.7 **6KP8-MLC, 8 ports @ 100Mbps multi-mode LC Small-Form Factor**

Magnum 6KP8-MLC is an eight-port multi-mode fiber LC connector “small-form-factor” used primarily in 100Mbps fiber-to-the-desktop links. When installed in a Magnum 6K32F Series Switch, it supports fiber optic cable distances up to the IEEE-standard 100Mbps distance limits, i.e., typically 2km at full-duplex and 412m at half-duplex.



The compact size of the LC connector reduces the size of wiring panels in wiring closets while providing the advantage of “future-proof” fiber optic technology.

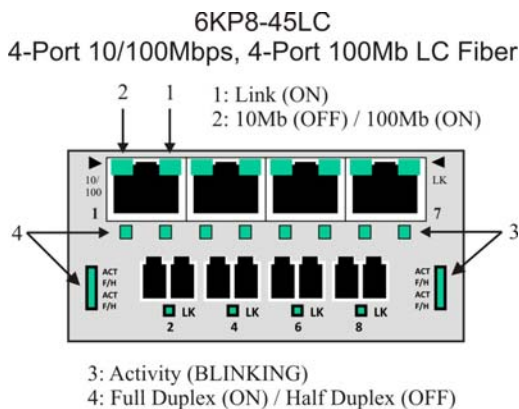
The cable end is a “plug-in” connector with both fiber strands terminated in one housing that cannot be improperly inserted. Each port has an Activity (ACT) LED indicating packets being received, a Link (LK) LED indicating proper connectivity with

Magnum 6K32F/FR/FC/FRC Managed Switch Installation and User Guide (05/08)
 the remote device when lit, and a FDX/HDX LED indicating full-duplex mode when lit (or half-duplex when off).

5.2.8 6KP8-45LC, Combo 4@ 100Mbps multi-mode -LC small-form factor and 4@ 10/100 Mbps RJ-45 Connector

The Magnum 6KP8-45LC Module is a combo module with a combination of copper and Fiber (Small Form Factor) LC type ports. The small size of LC connectors allows an advantage of having more ports on one module. The 6KP8-45LC is equipped with 4 10/100 RJ-45 ports and 4 LC (Small form factor) multi-mode fiber ports.

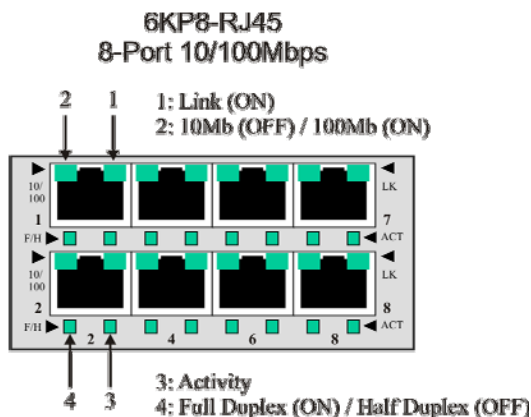
When installed in a Magnum 6K32F Series Switch, it supports the standard distances as per mentioned on 5.2.8. and the LEDs also act similarly as mentioned above.



5.2.9 6KP8-RJ45 (Twisted Pair), 10/100Mb 8-Port

The 6KP8-RJ45 module supports Ethernet twisted pair segments of any standard length. It is equipped with an eight-port RJ-45 connector, and offers 10/100 full / half-duplex auto-negotiating capability on each port. The RJ-45 connector is shielded to minimize emissions and will allow both unshielded twisted pair (UTP)

and shielded twisted pair (STP) cable connections. The 6KP8-RJ45 module is equipped with a Media Dependent Auto-Crossover (MDI-X) switch, which controls all ports for cascaded connection. This feature eliminates the need for a special twisted pair crossover cable when connecting to a hub or another switch.



Each port has an Activity (ACT) LED indicating packets being received, a Link (LK) LED that indicates proper connectivity with the remote device when lit, a FDX/HDX LED to indicate full-duplex mode when lit (or half-duplex when off), and a “10/100” LED indicating 100Mb when lit (or 10 Mbps when off).

Important Note: The 10/100 RJ-45 ports are supported with Auto-negotiation and Auto-crossover (MDIX), which allow the RJ-45 ports to automatically Link with any RJ-45 device and eliminate the use of cross-over cable.

The RJ-45 pins normally (TP crossover switch) are per the standard for hubs-to-users twisted pair wiring: 1 = receive+, 2 = receive-, 3 = transmit+, 6 = transmit-, other pins not used. When the TP crossover push-button is UP, the pins of the RJ-45 port are per the standard for up-links using twisted pair wiring, i.e., the transmit and the receive pairs are exchanged: 1 = transmit+, 2 = transmit-, 3 = receive+, 6 = receive-, other pins not used.

NOTE: for Power Substations: *In support of the IEEE 1613 Class 2 standard, GCI advises that, for substation applications, the RJ-45 ports are intended for connectivity to other communication equipment such as routers or telecommunication multiplexers installed in close proximity (i.e., less than 2 meters or 6.5ft) to the 6K32. It is not recommended to use these ports in substation applications to interface to field devices across distances which could produce high (greater than 2500V) levels of ground potential rise (GPR) during line-to-ground fault conditions. The 6K32 passes the 1613 specifications for zero packet loss with fiber ports & with RJ45 ports used as indicated here.*

5.2.10a. PoE (Power Pass-through), model P6KP8V-RJ45 (MDIX), 10/100Mb 8-port

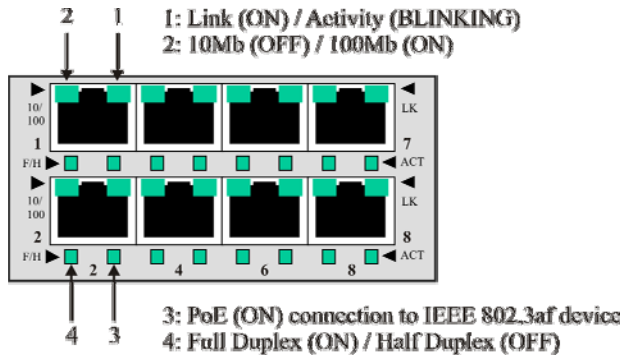
The PoE RJ-45 ports act similar to regular RJ-45 ports, except they have the capability of providing power on each port to power up the PD devices, per the IEEE802.3af PoE standard. The Power Pass-through PoE modules are totally dependent upon the powerful -

48VDC input power supply to support more

RJ-45 (10/100) ports. Each port requires at least 15watts to power up the PoE PD devices.

In this Fig. the top 8-RJ45 ports are enhanced with POE option. The 8-RJ45 POE modules are

also available with mix –n-match with fiber modules. Please check the ordering



The LEDs on 6KP8-RJ45- PoE modules are slightly different compared to regular (non-PoE) RJ-45 modules as shown in Fig 2. When the PoE port is in use, the PoE LED is ON when connected properly to an 803.af compliant PD device on that port. When non-PoE devices are connected, the PoE LED is OFF. PoE does not affect operation of Ethernet data traffic.

LINK and ACTIVITY LEDS are combined on the PoE modules into one LED that is marked as LINK/ACT, as shown in the diagram.

PoE LEDs Summary

- For PoE devices, each RJ-45 PoE port supports only 802.3af compliant devices. The PoE LED is ON when the attached PD is drawing power from the port.
- For non-PoE devices connected, the PoE port will act as a normal RJ-45 port and the PoE LED is OFF. No power is being sent out from the port.
- The PoE ports in Magnum 6K's with 48VDC power input act as a pass-through, so the 48VDC power source must be strong enough to provide power to the 6K switch and to all the 8 RJ-45 ports with PD devices connected (up to 15 watts per PoE port).
- In the case where the 48VDC power is not internally connected and no power is coming to the PoE ports for some reason, all the PoE port LEDs are ON simultaneously to indicate a trouble condition. The ports will still operate properly for data traffic.

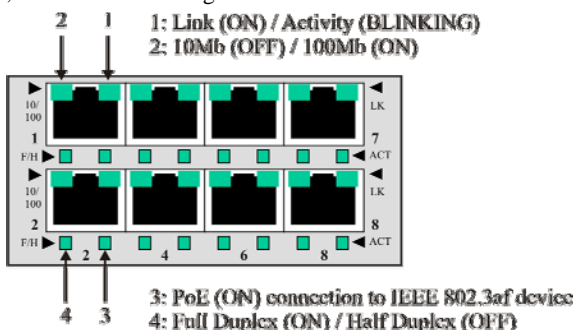
5.2.10b. PoE(Power Inside), model PI6KP8-45RJ (MDIX), 10/100Mb 8-port

The PoE RJ-45 ports act similar to regular RJ-45 ports, except they have the capability of providing power on each port to power up the PD devices, per the IEEE802.3af PoE standard. Only 4 x RJ-45 (10/100) ports max. support POE (Power Inside) option in one 6K-unit. In this Fig. the top 4-RJ45 ports are enhanced with the POE option whereas the bottom 4- RJ-45 ports are normal MDIX ports. The 4-RJ45 POE modules are also available with mix –n-match fiber modules. Please check the ordering information Sec.1.2. for all the various PI6K PoE module options.

The LEDs on 6KP8-RJ45- PoE modules are slightly different compared to regular (non-PoE) RJ-45 modules as shown in Fig 2. When the PoE port is in use, the PoE LED is ON when connected properly to an 803.af compliant PD device on that port. When non-PoE devices are connected, the PoE LED is OFF. Operation of Ethernet data

traffic is not affected by PoE.

LINK and ACTIVITY LEDs are combined on the PoE modules into one LED that is marked as LINK/ACT, as shown in the diagram.

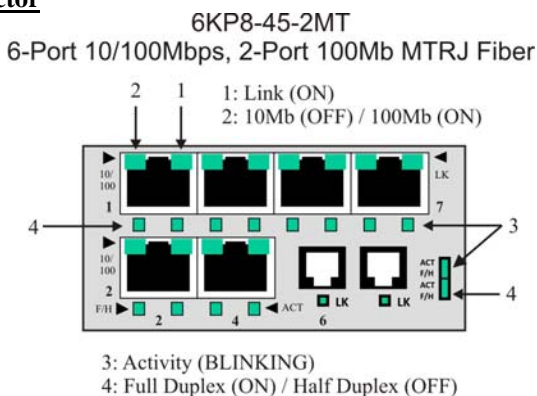


PoE LEDs Summary

- For PoE devices, each RJ-45 PoE port supports only 802.3af compliant devices. The PoE LED is ON when the attached PD is drawing power from the port.
- For non-PoE devices connected, the PoE port will act as a normal RJ-45 port and the PoE LED is OFF. No power is being sent out from the port.
- The PoE ports in Magnum 6K's with 48VDC power input act as a pass-through, so the 48VDC power source must be strong enough to provide power to the 6K switch and to all the 8 RJ-45 ports with PD devices connected (up to 15 watts per PoE port).
- In the case where the 48VDC power is not internally connected and no power is coming to the PoE ports for some reason, all the PoE port LEDs are ON simultaneously to indicate a trouble condition. The ports will still operate properly for data traffic.

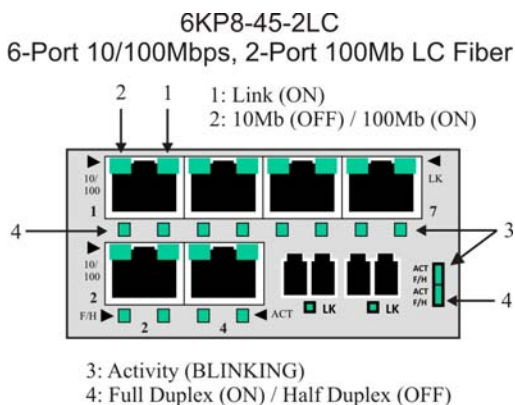
5.2.11 6KP8-45-2MT, 6@ 10/100Mbps RJ-45 and 2@100Mb multi-mode FX , MTRJ Small-Form-Factor

The Magnum 6KP8-45-2MT eight port Module is a combo module with copper and fiber (Small Form Factor) MTRJ type ports. The small sizes of MTRJ connectors give an advantage of placing more fiber ports on one module. The 6KP8-45-2MT is equipped with six 10/100 RJ-45 ports and two 100Mb MTRJ fiber ports. When installed in a Magnum 6K32F Series Switch, it supports the standard distances as mentioned on 5.2.3. and the LEDs also act similarly.



5.2.11a 6KP8-45-2LC, 6@ 10/100Mbps RJ-45 and 2@100Mb single-mode FX , LC Small-Form-Factor

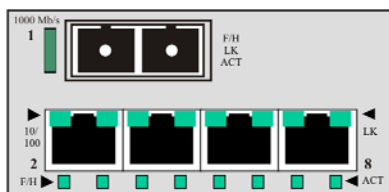
The Magnum 6KP8-45SLC eight port Module is a combo module with copper and fiber (Small Form Factor) LC type fiber ports. The small size of LC connectors give an advantage of placing more ports on one module. The 6KP8-45-2SLC is equipped with 6 10/100 RJ-45 ports and 2 Single-mode fiber ports. When installed in a Magnum 6K32F Series Switch, it supports the standard distances as mentioned on 5.2.4. and the LEDs also act similarly.



5.2.12 GBIC-SXSC Gigabit fiber(1000Mb), multi-mode SC Connector

The Magnum GBIC-SXSC is a multi-mode Gigabit fiber connector equipped with SC type connectors and can be easily snapped in and out. The Gigabit fiber ports are most popular as server-to-switch and switch-to-switch applications. It supports cable distances up to the IEEE 802.3z standard 1000Mbps distance limits, i.e., 550m at full duplex.

1@1000Mb SC Fiber, 4@10/100Mb



The GBIC transceiver has been offered in the modular slot with multiple options as per the user requirement. The two Giga port has been offered as GBPM-2OTX (fiber or RJ-45), whereas the single Gigabit comes in options of G+2 (100Mb fiber ports) or G+4(10/100 RJ-45 ports) as shown in the above figure.

The GBIC transceiver is fastened using snap-in clips. Insert the transceiver (take care to insert it the right way up, arrows on top) until it clicks in place. While removing the transceiver, press the clips on either side of the transceiver at the same time and pull the transceiver out.

Each port has an Activity (ACT) LED indicating packets being received and a Link (LK) LED indicating proper connectivity with the remote device when lit.

5.2.12a GBPM-2OTX (Two Gigabit option)

The Magnum 6K32-Series offered a wide selection of Gigabit speed with multiple choice of copper or Fiber or mix for the modular slot via GBPM-2OTX (2 x Giga module). While up to two Gigabit modules (max.) can be configured in the modular slot for GBPM-2OTX.



The Dual Gigabit port option for the modular slot provides a wide option of choice for various Gigabit transceivers covering a long range of distance. The GBPM-2OTX also meets the requirement for those applications where a managed Gigabit media converter is required. The two Gigabit slot can be filled with copper/Fiber or mix as per the application.

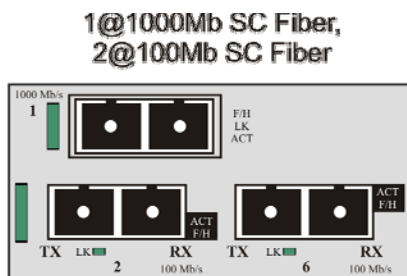
The 6K32-Series Gigabit Modules provide a GBIC opening for insertion of industry-standard GBICs to provide Gigabit (Gb) transceivers media flexibility. GBIC models are available for both multi-mode (550m) and single-mode (10, 25, 40, 70, 120) km fiber options, and Gigabit copper as well, with new models appearing often.

Each port has a Full and Half Duplex (F/H) Activity, (ACT) LED indicating packets being received and a Link (LK) LED indicating proper connectivity with the remote device when lit.

5.2.12b GBIC-LXSC Gigabit fiber (1000Mb), multi-mode SC Connector

The Magnum GBIC-LXSC is a single-mode Gigabit fiber connector equipped with SC type connectors and can be easily snapped in and out. The Gigabit fiber ports are most popular as server-to-switch and switch-to-switch applications. It supports cable distances up to the IEEE 802.3z standard 1000Mbps distance limits, i.e., 10, 25, 40, 70 or 120Km at full duplex, and depend upon the Gigabit modules used.

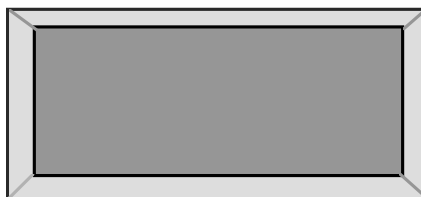
The two Giga port has been offered as GBPM-2OTX (fiber or RJ-45), whereas the single Gigabit module comes in flavor of G+4(10/100 RJ-45 ports) or G+2 (100Mb fiber ports) as shown below in the above figure.



Each port has an Activity (ACT) LED indicating packets being received and a link (LK) LED indicating proper connectivity with the remote device when lit.

5.2.13 6KM-BLNK

The 6KM-BLNK is a blank face plate or cover plate that must be installed in any empty 6K32F Series PM slot to maintain proper cooling air flow, safety, etc.



Four screws hold the 6KM-BLNK in place.

6.0 TROUBLESHOOTING

All Magnum Ethernet products are designed to provide reliability and consistently high performance in all network environments. The installation of a Magnum 6K32F Series Switch is a straight-forward procedure (see INSTALLATION, Section 3.0); the operation is also straight-forward and is discussed in Section 4.

Should problems develop during installation or operation, this section is intended to help locate, identify and correct these types of problems. Please follow the suggestions listed below prior to contacting your supplier. However, if you are unsure of the procedures described in this section or if the Magnum 6K32F Series Switch is not performing as expected, do not attempt to repair the unit; instead contact your supplier for assistance or contact GarrettCom Customer Support.

6.1 Before Calling for Assistance

1. If difficulty is encountered when installing or operating the unit, refer back to the Installation Section of the applicable chapter of this manual. Also check to make sure that the various components of the network are interoperable.
2. Check the cables and connectors to ensure that they have been properly connected and the cables/wires have not been crimped or in some way impaired during installation. (About 90% of network downtime can be attributed to wiring and connector problems.)
3. Make sure that an AC power cord is properly attached to each Magnum 6K32F Series Switch unit. Be certain that each AC power cord is plugged into a functioning electrical outlet. Use the PWR LEDs to verify each unit is receiving power.
4. If the problem is isolated to a network device other than the Magnum 6K32F Series Switch product, it is recommended that the problem device be replaced with a known good device. Verify whether or not the problem is corrected. If not, go to Step 5 below. If the problem is corrected, the Magnum 6K32F Series Switch and its associated cables are functioning properly.
5. Always check your Switch configuration, especially Auto-negotiation behavior with other connected device to have proper setup tested.
5. If the problem continues after completing Step 4 above, contact your supplier of the Magnum 6K32F Series Switch unit or if unknown, contact GarrettCom, Inc. by fax, phone or email (*support@garrettcom.com*) for assistance.

6.2 When Calling for Assistance

Please be prepared to provide the following information.

1. A complete description of the problem, including the following points:
 - a. The nature and duration of the problem;
 - b. Situations when the problem occurs;
 - c. The components involved in the problem; (complete Network diagram preferred)
 - d. Any particular application, environment, power spike that, when used, appears to create the problem;

2. An accurate list of GarrettCom product model(s) involved, with serial number(s). Include the date(s) that you purchased the products from your supplier.
3. It is useful to include other network equipment models and related hardware, including personal computers, workstations, terminals and printers; plus, the various network media types being used.
4. A record of changes that have been made to your network configuration prior to the occurrence of the problem. Any changes to system administration procedures should all be noted in this record.

6.3 Return Material Authorization (RMA) Procedure

All returns for repair must be accompanied by a Return Material Authorization (RMA) number. To obtain an RMA number, please use this URL -

https://rma.garrettcom.com/rma/rma_request_noaccount.php to fill out the form.

Please have the following information readily available:

Name and phone number of your contact person.

Name of your company / institution

Your shipping address

Product name

Serial Number (or Invoice Number)

Packing List Number (or Sales Order Number)

Date of installation

Failure symptoms, including a full description of the problem.

GarrettCom will carefully test and evaluate all returned products, will repair products that are under warranty at no charge, and will return the warranty-repaired units to the sender with shipping charges prepaid (see Warranty Information, Appendix A, for complete details). However, if the problem or condition causing the return cannot be duplicated by GarrettCom, the unit will be returned as:

No Problem Found.

GarrettCom reserves the right to charge for the testing of non-defective units under warranty. Testing and repair of product that is not under warranty will result in a customer (user) charge.

6.4 Shipping and Packaging Information

Should you need to ship the unit back to GarrettCom, please follow these instructions:

1. Package the unit carefully. It is recommended that you use the original container if available. Units should be wrapped in a "bubble-wrap" plastic sheet or bag for shipping protection. (You may retain all connectors and this Installation Guide.)

CAUTION: Do not pack the unit in Styrofoam "popcorn" type packing material. This material may cause electro-static shock damage to the unit.

2. Clearly mark the Return Material Authorization (RMA) number on the outside of the shipping container.
3. GarrettCom is not responsible for your return shipping charges.

4. Ship the package to:

GarrettCom, Inc.
47823 Westinghouse Dr.
Fremont, CA 94539-7437
Attn.: Customer Service

APPENDIX A: WARRANTY INFORMATION

GarrettCom, Inc. warrants its products to be free from defects in materials and workmanship for a period of three (3) years from the date of shipment by GarrettCom.

During this warranty period, GarrettCom will repair or, at its option, replace components in the products that prove to be defective at no charge other than shipping and handling, provided that the product is returned pre-paid to GarrettCom.

This warranty will not be effective if, in the opinion of GarrettCom, the product has been damaged by misuse, misapplication, or as a result of service or modification other than by GarrettCom.

GarrettCom reserves the right to make a charge for handling and inspecting any product returned for warranty repair which turns out not to be faulty.

Please complete the warranty card as this acts as a product registration, and mail it to GarrettCom within two weeks of your purchase.

APPENDIX B : Internal DC Power Supply Options

B1.0 SPECIFICATIONS FOR MAGNUM 6K32F SERIES SWITCHES, DC POWER

Power Supply (Internal -48VDC Option)

DC Power Connector: 3 terminals: “-“, “GND”, “+”

Input Voltage: 36 - 70 VDC

Power Consumption: Same as for AC models (see Section 1.1)

Power Supply (Internal 24 VDC Option) Industrial Applications

DC Power Connector: 3 terminals: “-“, “GND”, “+”

Input Voltage: 20 - 36 VDC

Power Consumption: Same as for AC models (see Section 1.1)

Power Supply (Internal 125 VDC Option) Industrial Applications

DC Power Connector: 3 terminals: “-“, “GND”, “+”

Input Voltage: 88 - 150 VDC

Power Consumption: Same as for AC models (see Section 1.1)

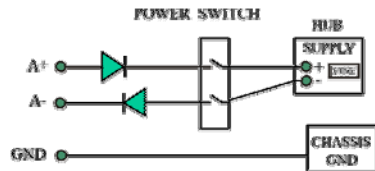
With the exception of the power supply, all specifications and functions of Magnum 6K32F Series Switch -48VDC, 24VDC and 125VDC models are identical to those listed in the main manual.

B2.0 -48VDC, 24VDC and 125VDC POWER, THEORY OF OPERATION

The -48VDC, 24VDC and 125VDC power options are designed using diodes inside on each DC power input line behind the two external power connection terminals, so that the power from an external source can only flow into the hub.

This allows the Switch to operate only whenever DC power is correctly applied to the two inputs. It protects the Switch from incorrect DC input connections. An incorrect polarity connection, for example, will neither affect the Switch, its internal power supply, nor will it blow the fuse in the internal power supply.

The manual power “On-Off” Switch (optional) is used for powering the unit on and off when it is placed into or taken out of service.



B3.0 APPLICATIONS FOR DC POWERED SWITCHES

Magnum 6K32F Series Fiber Switches are easily installed in a variety of applications where -48VDC, 24VDC and 125VDC power is used as the primary power source. The -48VDC, 24VDC and 125VDC power configuration provides an Ethernet networking solution utilizing a special power supply in a Managed Switch.

The -48VDC solution is particularly useful in the telecommunication industry, where it is common for facilities to operate on -48VDC power. Such companies include regular and wireless telephone service providers, Internet Service Providers (ISPs) and other communication companies. In addition, many high availability equipment services, such as broadcasters, publishers, newspaper operations, brokerage firms and other facilities often use a battery backup system to maintain operations in the event of a power failure. It is also frequently used for computer system backup, management and operations monitoring equipment.

The 24VDC and 125VDC solution are particularly useful in the Industrial environment, where it is common facilities to operate on 24VDC or 125VDC power. The 125VDC solution is mainly used in power utilities, such as electrical substations, electrical generating plants, etc. The 24VDC applications are mainly in the Industrial environment, such as factory floor, HVAC equipment, military equipment, etc.

B4.0 INSTALLATION

This section describes the installation of the -48 VDC, 24VDC and 125VDC power source leads to the -48 VDC, 24VDC and 125VDC power terminal block on the Magnum 6K32F's.(see photo at right).

In this picture, the -48VDC terminal block on the Magnum 6K32F Series is located on the rear of the unit and is equipped with three (3) screw-down lead posts. It is similar for 24VDC and 125VDC options on Magnum 6K32F Series. The leads are identified as negative (-), positive (+), and chassis ground (GND).

The actual connection procedure is very straightforward. Simply connect the leads to the Magnum unit, beginning with ground. Ensure that each lead is securely tightened.



Note: The GND should be hooked up first. The 6K32F unit has a floating ground, so the user may elect to Ground either + or - terminal to suit the customer's use.

Before connecting hot lines to the Terminal Block of -48VDC, 24VDC or 125VDC, always use a digital voltmeter to measure the output voltage of the power supply and determine the lead which is more "+ve potential". The more "+ve" voltage lead from 48V or -48V supply must be connected to the post labeled "+".

An ON-OFF manual switch is optional for DC power. This can be used to cut off power connections and as a RESET for the Magnum 6K32F Series Switch.

B4.1 UL Requirements for DC-powered units

1. *Minimum 18AWG cable for connection to a Centralized DC power source.*
2. *Minimum 14AWG cable for connection to a earthing wiring.*
3. *Use only with Listed 10 A circuit breaker provided in building installation.*
4. *"Complies with FDA radiation performance standards, 21 CFR subchapter J." or equivalent.*
5. *Fastening torque of the lugs on the terminal block: 9 inch-pound max.*
6. *Centralized DC Power Source cable securement, use at least Minimum 14AWG four cable ties to secure the cable to the rack at least 4 inches apart, with the first one located within 6 inches of the terminal block.*

B5.0 OPERATION

Operation of Magnum 6K32F Series Switches with the optional -48VDC, 24VDC and 125VDC power supply is identical to that of the standard AC-powered models.

B6.0 ORDERING INFORMATION

To order the optional -48VDC power supply factory installed, add a suffix of "-48VDC" after the product's standard model # Example: **Magnum 6K32F-48VDC**.

Similarly to order the optional 24VDC or 125VDC industrial specific power supply factory installed, add a suffix of "24VDC" or "125VDC" after the product's standard model #. Example: Magnum 6K32F-24VDC, Magnum 6K32F-125VDC.

B7.0 TROUBLESHOOTING

Please refer to Section 6.0 for troubleshooting

APPENDIX C: Internal DC Dual-Source Power Option

C1.0 SPECIFICATIONS - FOR MAGNUM 6K32F SERIES FIBER SWITCH

Power Supply (Internal, -48VDC Dual-Source, model # Dual-Src-48V)

DC Power Connector: First Source: “A+”, “A-“, 2nd Source “B-“, “B+”
 GND: Terminal for “earth” or ground wire connection to the hub chassis
 Input: Two separate sources, each at 36 - 70 VDC

Power Supply (Internal, 24VDC Dual-Source, model # Dual-Src-24V)

DC Power Connector: First Source: “A+”, “A-“, 2nd Source “B-“, “B+”
 GND: Terminal for “earth” or ground wire connection to the hub chassis
 Input: Two separate sources, each at 20 - 36 VDC

Power Supply (Internal, 125VDC Dual-Source, model # Dual-Src-24V)

DC Power Connector: First Source: “A+”, “A-“, 2nd Source “B-“, “B+”
 GND: Terminal for “earth” or ground wire connection to the hub chassis
 Input: Two separate sources, each at 88 - 150 VDC

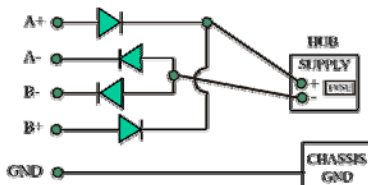
With the exception of the dual DC input power connections and the power supply, all specifications and configuration options for the Magnum 6K32F -48VDC, 24VDC and 125VDC models with this Dual-Source option are identical to those listed in the *Magnum 6K32F Series Fiber Switches Installation and User Guide*, including Appendix B “Internal DC Power Supply Option”

C2.0 MAGNUM 6K32F SERIES, with -48VDC, 24VDC and 125VDC Dual-Source option

The 6K32F Series-Switch models with the internal -48VDC, 24VDC and 125VDC Dual-Source power supply are designed for installations where a battery plant is the power source, and where two separate power sources are utilized in order to increase operational uptime and to simplify maintenance.

The functionality of the Magnum 6K32F Series Switch -48VDC, 24VDC and 125VDC Dual-Source Option units is identical to the standard AC-powered models. Refer to the main sections of this

Installation and User Guide for a detailed description of the Magnum 6K32F Switches.



C3.0 DUAL-SOURCE OPTION, THEORY OF OPERATION

The Dual-Source DC power option is designed using diodes inside of the chassis on each DC power input line. A diode is placed in each of the four input lines (behind the four external power connection terminals) so that power from an external source can only flow into the unit. This allows the unit to operate whenever DC power is correctly applied to either or both of the two inputs

C4.0 FEATURES AND BENEFITS OF THE DUAL-SOURCE DESIGN

- The Switch unit can receive power from either input, “A” or “B”. The hub will normally draw its power from the DC source with the highest voltage at a given time.
- The Switch unit will not allow power to flow from a higher voltage input to a lower voltage input, i.e. the two DC power sources are not mixed together by the hub.
- When one correct DC input is present, the Switch will receive power if the other DC input is absent, or even if it is connected with reverse polarity or shorted or grounded.
- Reverse polarity connections, if they should accidentally occur on either input, will not damage the Switch or power supply internally (nor will it blow the fuse in the internal power supply) because of the blocking action of the diodes. This is true even if one input connection is reversed while the Switch is operating from the other source.
- The Switch will not receive power (and will not work) when both inputs are simultaneously absent or are both incorrectly connected.

C5.0 INSTALLATION

This section describes the proper connection of the -48VDC, 24VDC and 125VDC dual source leads to the -48VDC, 24VDC 7 125VDC power terminal block on the Magnum 6Ks Switch

(shown in Figure)

The -48VDC terminal block on the Magnum 6K32F Series Switch, as shown in Fig C5.0 is located on the right rear of the unit and is equipped with five (5) screw-down lead posts. If it is the reverse model it is located on the left rear. The primary terminals are identified as positive (A+), negative (A-), and the secondary power terminals as negative (B-), positive(B+). The chassis “earth” or ground (GND) is a threaded post with a #6 nut. The Dual Source terminal block for the 24VDC and 125VDC are similar.

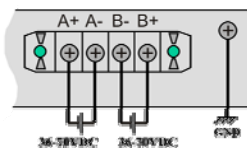


Figure C5.0: -48 VDC Dual-Source, wiring connections to the External Terminal Block

Note: The GND should be hooked up first. The 6K32F Series units have a floating ground, so the user may elect to Ground either + or - terminal to suit the customer's use.

Before connecting hot lines to the Terminal Block of -48VDC, 24VDC or 125VDC, always use a digital voltmeter to measure the output voltage of the power supply and determine the lead which is more "+ve potential". The more "+ve" voltage lead from 48V or -48V supply must be connected to the post labeled "+".

The connection procedure is straightforward. Simply connect the DC leads to the Switch's power terminals, positive (+) and negative (-) screws. Ensure that each lead is securely tightened.

The 24VDC and 125VDC terminal block on Magnum 6K32F Series is similar to that described in the -48VDC information above.

C5.1 UL Requirements

The following must be adhered to in order to conform to UL requirements:

1. *Minimum 18 AWG cable for connection to a Centralized DC power source.*
2. *Minimum 14 AWG cable for connection to earthing wiring.*
3. *Use only with Listed 10 A circuit breaker provided in building installation.*
4. *"Complies with FDA radiation performance standards, 21 CFR subchapter J." or equivalent.*
5. *Fastening torque of the lugs on the terminal block: 9 inch pound max.*
6. *Centralized DC Power Source cable securement, use at least four Minimum 14 AWG cable ties to secure the cable to the rack at least 4 inches apart with the first one located within 6 inches of the terminal block.*

C6.0 ORDERING INFORMATION

To order the optional Dual-Source -48VDC power supply factory installed, order "Dual-Src48V" as a separate line item following the product model.

Example: **Magnum 6K32F-48VDC**

Dual-Src-48V for the regular DS model with no ON-OFF switch
or **Dual-Src48V-SWITCH** with the ON-OFF manual switch.

Similarly, order the "Dual-source 24VDC" or "Dual-source 125VDC" as a separate line item following the product model.

Example: **Magnum 6K32F-24VDC or Magnum 6K32F-125VDC**

Dual-Src24V for regular models with no ON-OFF switch
Or **Dual-Src125V-Switch** for models with the ON-OFF switch

C7.0 OPERATION

Operation of the Dual-Source Magnum 6Ks-48VDC, 24VDC and 125VDC Switch models are identical to that of the standard models.