

freud

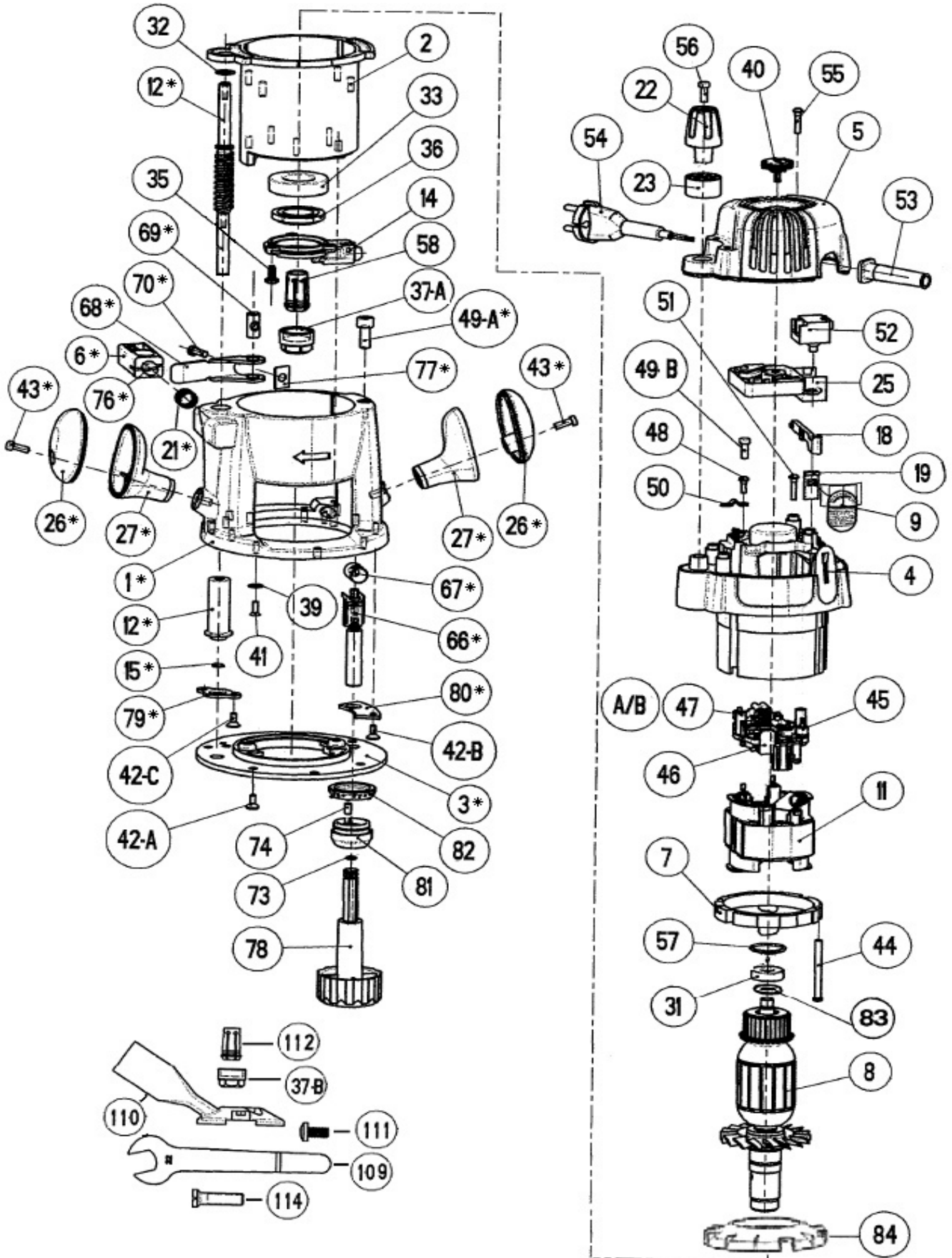
LISTA DE RECAMBIOS
SPARE LIST
LISTE DE RECHANGES

643 1/2

FRESADORA
FIXED BASE ROUTER
DEFONCEUSE

VERSIÓN: V-1-0
(120V)

FT1700VCE



LISTA DE RECAMBIOS / SPARE PART LIST / LISTE PIECES DETACHEES

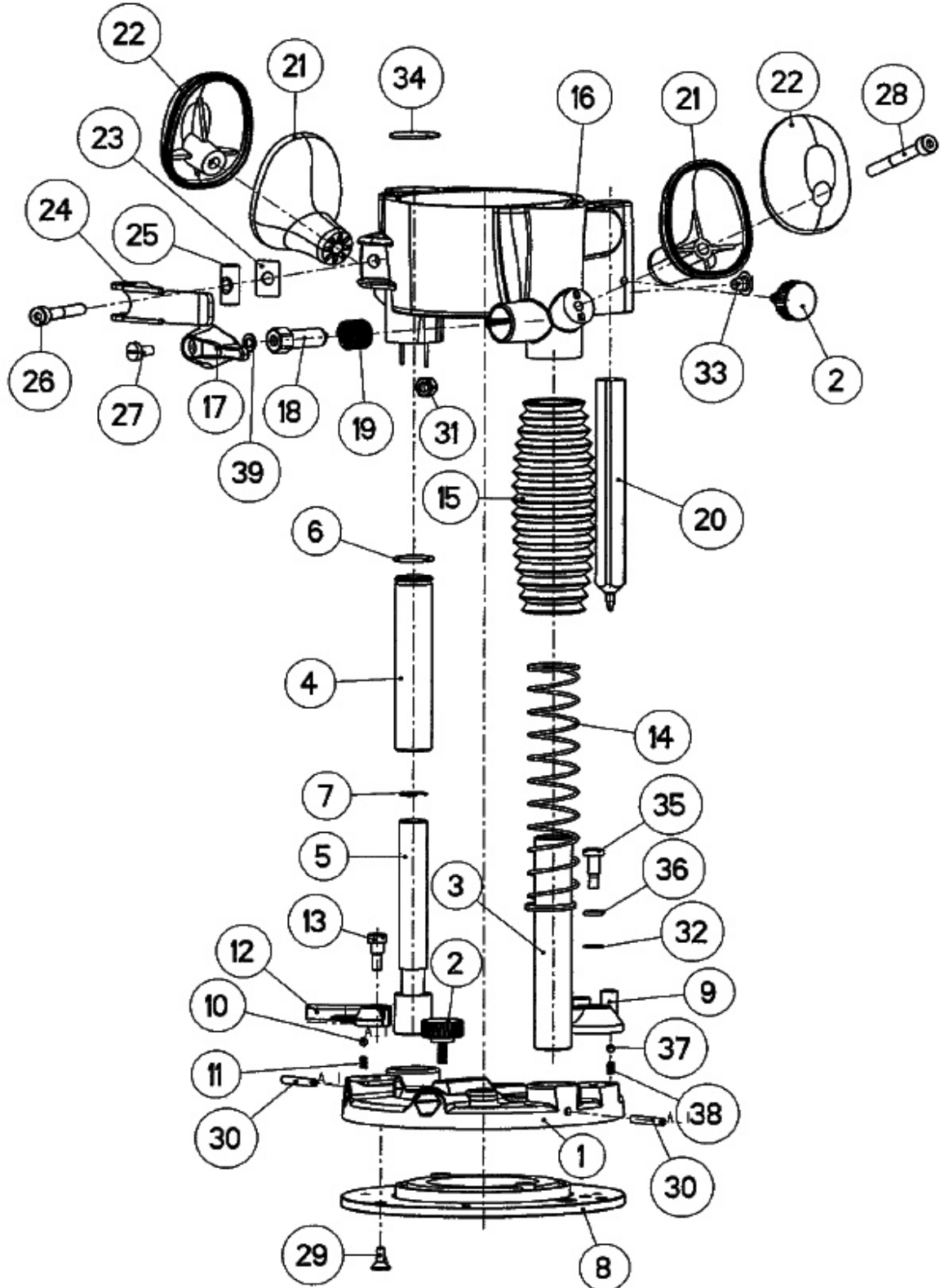
VERSION: 1-0

POS	CODIGO	VERS.	DENOMINACION	DESCRIPTION	DENOMINATION
1A	136068421		Cuerpo soporte	Support body	Corps supporte
1B	136069761		Gr. Cuerpo+base (incl.piezas "**")	Body ass.(inc. parts marked "**")	Gr. corps (inclut pieces "**")
2A	136065321	V-0	Cuerpo cubierta	Housing body	Corps couverte
2B	136065322	V-1	Cuerpo cubierta	Housing body	Corps couverte
3	136065531		Placa apoyo	Base plate	Plaque base
4	136061031		Cubierta motor	Top motor housing	Carcasse moteur
5	136061062		Casquete cubierta motor	Motor housing cap	Couvercle carcasse
6	136064023		Boton bloqueo	Stop rod button	Bouton blocage
7	136062611	V-0	Guia de aire	Air guide	Guide d'air
8A	136069031	V-0	Inducido 120V	120V Armature	Induit 120V
8B	136069061	V-1	Inducido 120V	120V Armature	Induit 120V
9	134344022		Boton interruptor	Power switch lever	Bouton interrupteur
11	136069021		Estator 120V	120V Field	Stator 120V
12	136069861		Gr.tornillo+soporte ajuste profun.	Depth+support adjustment screw	Vis+support adapte profondeur
14	136068371		Boton fijacion eje	Spindle lock button	Bouton fixation axe
15	136063851		Protector polvo	Dust cover	Protecteur poussière
18	136064201		Placa interruptor	Switch plate	Plaque interrupteur
19	136064451		Soporte placa interruptor	Switch support plate	Support plaque interrupteur
21	757001250		Muelle	Spring	Ressort
22	136065671		Palomilla ajuste profundidad	Height adjustment knob	Vis papillon adapte profondeur
23	136065052		Escala ajuste profundidad	Height adjustment knob scale	Échelle adapte profondeur
25	763488119		Modulo control velocidad	Speed control module	Module contrôle vitesse
26	136065631		Cubierta puño	Handle cover	Couverture poignée
27	136065641		Cuerpo Puño	Handle body	Corps poignée
31	712000026		Rodamiento 6000LLU	Bearing 6000 LLU	Roulement 6000LLU
32	870800914		Arandela bloqueo	Lock washer	Rondelle blocage
33	712000535		Rodamiento 6005LLU	Bearing 6005 LLU	Roulement 6005LLU
35	844315252		Tornillo M4x12	Screw torx M4x12 (3)	Vis M4x12
36	136061521		Tapa rodamiento	Bearing shaft nut	Couverture roulement
37A	136037411		Tuerca pinza	Collet nut	Ecrou pince
39	870800513		Arandela 5x13x2	Washer 5x13x2 (2)	Rondelle 5x13x2
40	136064711		Rulina selector velocidad	Speed dial	selector vitesse
41	849077150		Tornillo M5x10	Screw torx M5x10 (2)	Vis M5x10
42A	847615248		Tornillo placa apoyo	Base plate screw (4)	Vis plaque appui
42B	847615248		Tornillo Arandela lateral	Flange washer screw (1)	Vis rondelle latérale
42C	847615248		Tornillo Arandela ajuste	Tightening washer screw (2)	Vis rondelle adapte
43	842010344		Tornillo puño M6x50	Handle screw M6x50 (2)	Vis poignée M6x50
44	844830134		Tornillo TP 5x55	Screw TP 5x55 torx (2)	Vis TP 5x55
45	134132251		Muelle escobilla	Brush spring (2)	Ressort balai
46	135289112		Porta escobilla	Brush holder	Porte balai
47A	134109075		Escobilla	Motor brush	Balai
47B	134109076		Escobilla auto	Motor brush auto	Balai auto
48	844820028		Tornillo 3,5x16	Screw 3,5x16 torx (2)	Vis 3,5x16
49A	842009301		Tornillo brida desbloqueo	Un locking clamp screw (1)	Vis bride déblocage
49B	842009301		Tornillo cubierta motor	Top motor housing screw (4)	Vis couverte moteur
50	101204231		Brida cable	Cable clamp	Bride câble
51	844820050		Tornillo 4x20	Screw 4x20 torx (2)	Vis 4x20
52	763256021		Interruptor	Power switch	Interrupteur
53	134314181		Manguito cable	Power cord boot	Manchon
54	767663500		Cable toma corriente	Power cord	Câble prise courante
55	844820048		Tornillo M4x16	Screw 4x16 torx (4)	Vis M4x16
56	842010256		Tornillo M4x16	Screw M4x16	Vis M4x16
57	742102515		Anillo goma	Rubber ring	Anneau gomme
58	136027431		Pinza 1/2"	1/2" Collet	Pinze 1/2"
66	136068841		Brida desbloqueo	Un locking clamp	Bride déblocage
67	136063911		Tuerca	Nut	Ecrou
68	136065132		Palanca brida	Clamp lever	Levier bride
69	136065811		Pivote palanca	Lever pivot	Pivot levier
70	842009340		Tornillo M6x40	Screw M6x40 DIN 912	Vis M6x40
73	101611421		Junta torica 5x1,5	5x1,5 o-ring	Joint torique 5x1,5
74	136082881		Tope goma	Rubber stop	Stop gomme
76	136064029		Lengüeta retención	Retaining tongue	Languette retenue
77	136066912		Arandela rectangular	Plate washer	Rondelle rectangulaire
78	136065502		Ajuste bloqueo puño	Adjusting lock handle	Ajustement blocage poigne
79	136066900		Arandela ajuste	Tightening washer	Rondelle ajust
80	136066940		Arandela lateral	Flange washer	Rondelle latérale
81	136064961		Rueda ajuste up/down	Up/down knob	Roue ajustement up/down
82	136064951		Rueda micro-ajuste	Micro adjustment wheel	Roue micro- ajustement
83	870801021		Arandela	Washer	Rondelle
84	136062614	V-1	Guia de aire	Air guide	Guide d'air
			ACCESORIOS	ACCESSORIES	ACCESOIRES
37B	136037411		Tuerca pinza	Collet nut	Ecrou pince
109	136025211		Llave 22mm	Wrench 22mm	Clé 22mm
110	919340000		Adaptador aspirador	Vacuum adapter	Adaptateur aspirateur
111	844315288		Tornillos guía plantilla	Template guide screws	Vis guide calibre
112	136027435		Pinza 1/4"	Collet 1/4"	Pinze 1/4"
114	847305327		Tornillo montaje tabla	Table mount screw	Vis assemblage tableau

GRUPO BASE COLUMNAS
PLUNGE BASE
GROUPE BASE COLONNES

136069751

FT1760



LISTA DE RECAMBIOS / SPARE PART LIST / LISTE DE PIECES DETACHEES

VERSION: 0

POS	CODIGO	DENOMINACION	PART NAME	DENOMINATION
0	136069751	Grupo base columnas FT1760	Plunge base FT1760	Gr. base colonnes FT1760
1	136061831	Base columnas	Column base	Base colonnes
2	136065512	Palomilla M5x12	Winged screw M5x12	Vis papillon M5x12
3	136065711	Columna	Column	Colonne
4	136065712	Columna	Column	Colonne
5	136063261	Pivote guia	Guide pivot	Pivot guide
6	875331020	Anillo seg. RW20 DIN-7993	Safety ring RW20	Aneau securitée RW20
7	876601012	Circlip D.14	Circlip D.14	Circlip D.14
8	136065531	Base apoyo	Base plate	Plaque base
9	136035651	Tope retención	Step turret	Groupe stop
10	713900170	Bola D.4 DIN-5401	Ball D.4	Boule D.4
11	757000200	Muelle	Spring	Ressort
12	136065601	Palanca autoblock	Autolock handle	Levier autoblock
13	136065421	Tornillo autoblock	Autoblock screw	Vis autoblock
14	757002400	Muelle columnas	Column spring	Ressort colonne
15	136081551	Fuelle protector	Protective sleeve	Soufflet protection
16	136065541	Cuerpo soporte	Support body	Corps supporte
17	136081231	Palanca bloqueo	Plunge lock handle	Levier blocage
18	136026241	Tornillo fijación columna	Screw	Vis
19	757021360	Muelle torsión	Spring	Ressort
20	136063841	Eje graduado (serigrafiado)	Graduated spindle	Axe gradué
21	136065641	Base puño	Handle body	Corps poignee
22	136065631	Tapa puño	Handle cover	Couverture poignee
23	136066912	Arandela fleje (tratada)	Washer	Rondelle
24	136065132	Palanca brida (doblada)	Clamp lever	Levier bride
25	136065812	Perno palanca acc.columnas	Lever pivot	Pivot levier
26	842009340	Tornillo M6x40 DIN-912	Screw M6x40	Vis M6x40
27	846001283	Tornillo M5x10 DIN-85	Screw M5x10	Vis M5x10
28	842010344	Tornillo M6x50 DIN-912	Screw M6x50	Vis M6x50
29	847615248	Tornillo avell. torx M4x8	Screw avell. torx M4x8	Vis avell. torx M4x8
30	837000261	Pasador 4x28 DIN-1481	Pin 4x28	Pin 4x28
31	860305060	Tuerca autobloc. M6 DIN-985	Autobloc. nut M6	Ecrou autobloc. M6
32	742100620	Anillo junta OR6x2	O-ring 6x2	Joint torique 6x2
33	136064702	Tapon tornillo M6	Screw cap	Bouchon vis
34	136066832	Tapon cierre (cincado)	Closing cap	Bouchon ferme
35	844105283	Tornillo cilind. ranura/cuello	Screw	Vis
36	870800611	Arandela D. 6.3x11x0.5	Washer D. 6.3x11x0.5	Rondelle D. 6.3x11x0.5
37	713900233	Bola D.6 DIN-5401	Ball D.6	Boule D.6
38	757000352	Muelle	Spring	Ressort
39	870001053	Arandela 5'3 DIN-125	Washer 5,3	Rondelle 5,3
40	849077150	Tornillo torx M5x10	Screw M5x10	Vis M5x10