

Setup Guide for AVTrac™ Demonstration Kit

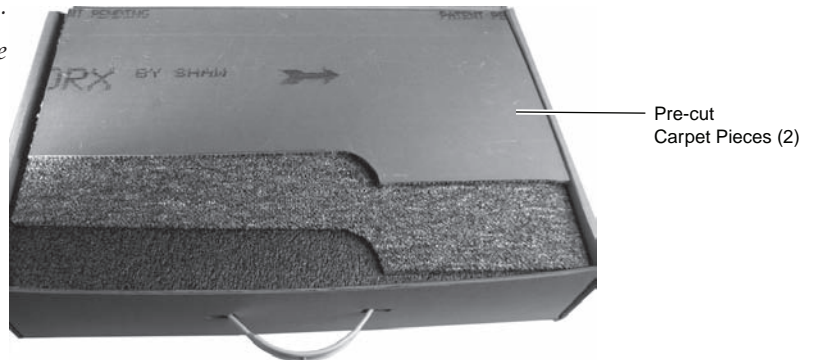
The AVTrac Demonstration Kit shows how the AVTrac system meets customers' application needs. The kit components can be unpacked from the carrying box as shown in the figures below. To repack the kit, reverse the steps.

NOTE The illustrations below show the US version of the AVTrac Demonstration kit. The International and Universal models are similar in size and packaging, but contain a single AC outlet, which may be connected to double insulated power cable, or flex conduit without wires.

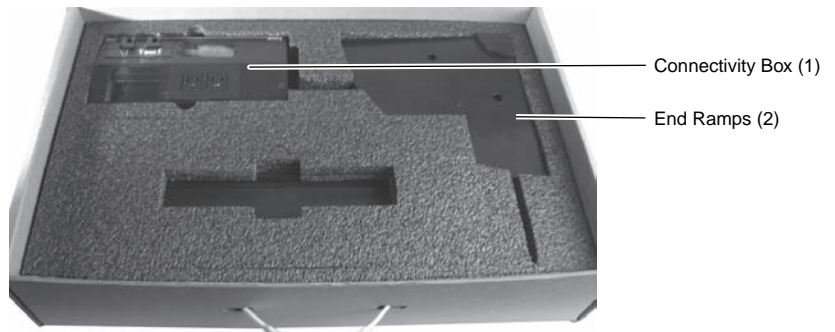
NOTE If the box is to be reused, remember to save the packing foam.

WARNING This kit is for demonstration purposes only. The AC power module is not wired to distribute power and must not be connected to an electrical power source.

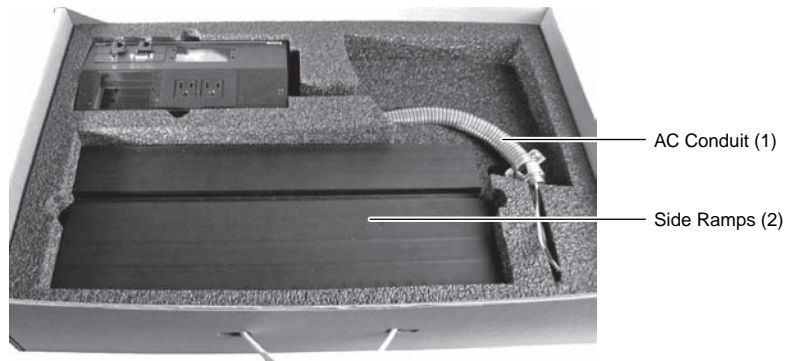
1. Remove carpet pieces.



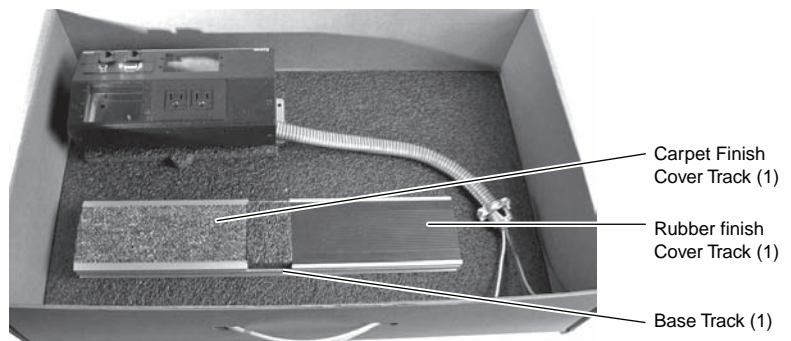
2. Remove top foam and foam covering side ramps.



3. Remove side and end ramps.



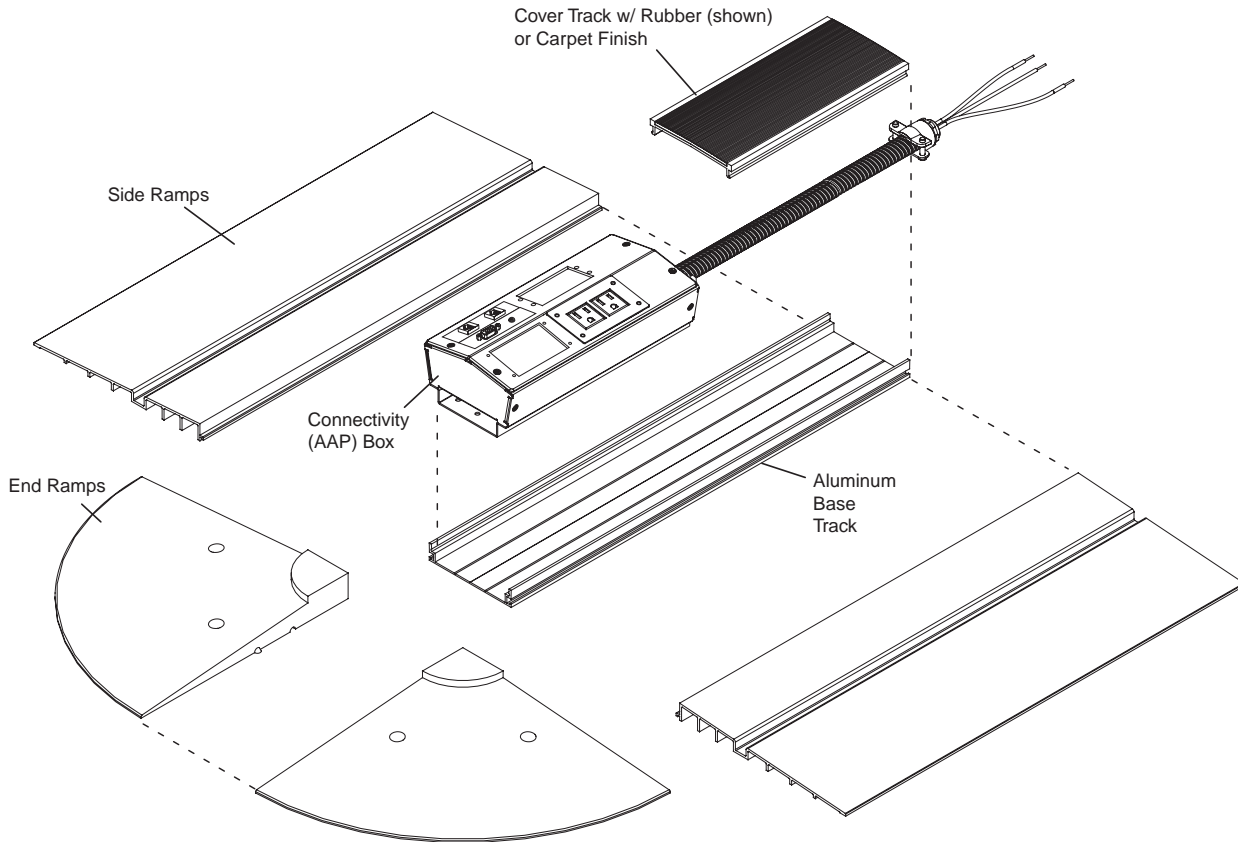
4. Remove track pieces and connectivity box with AC conduit.



Setup Guide for AVTrac™ Demonstration Kit, cont'd

Ensure that the kit contains all the items shown in the figure below and assemble the kit components by following the steps below.

NOTE *The illustration below shows the US version of the AVTrac Demonstration kit. The International and Universal models are similar in size and packaging, but contain a single AC outlet, which may be connected to double insulated power cable, or flex conduit without wires.*



1. Place aluminum base track on a firm, flat surface.
2. Attach the side ramps by mating the tabs in the ramps with the grooves in the track.
3. Place the end ramps in position at the end of the track pieces.
4. Place the connectivity box flush with the end of the track nearest the end ramps. The AC conduit should run from the connectivity box to the opposite end of the track.
5. Attach the cover track (either rubber or carpet) by snapping it onto the base track.
6. Place the pre-cut carpet pieces on top of the ramps and around the connectivity box.

Extron **USA - West**
Headquarters
+800.633.9876
Inside USA / Canada Only
+1.714.491.1500
+1.714.491.1517 FAX

Extron **USA - East**
+800.633.9876
Inside USA / Canada Only
+1.919.863.1794
+1.919.863.1797 FAX

Extron **Europe**
+800.3987.6673
Inside Europe Only
+31.33.453.4040
+31.33.453.4050 FAX

Extron **Asia**
+800.7339.8766
Inside Asia Only
+65.6383.4400
+65.6383.4664 FAX

Extron **Japan**
+81.3.3511.7655
+81.3.3511.7656 FAX

Extron **China**
+400.883.1568
Inside China Only
+86.21.3760.1568
+86.21.3760.1566 FAX

Extron **Middle East**
+971.4.2991800
+971.4.2991880 FAX