

product
brochure

Diva™ 2440 ADSL Router

with Ethernet and USB ports

Eicon's Diva 2440 ADSL Router delivers effortless broadband Internet access. Built-in Internet connectivity (PPPoE and PPPoA) eliminates the need for client software installation to make an Internet connection. Eicon's proprietary Connect and Surf™ technology enables the Diva 2440 to auto-detect ADSL network parameters*.

Workgroup Router with Connect & Surf™!

The Diva 2440 can accommodate 2 users directly via its USB and Ethernet ports. A built-in DHCP server automatically assigns IP addresses to all PCs. Connect the Diva 2440 to an Ethernet hub and it becomes a spectacular Internet sharing machine!

The Diva 2440 addresses Internet security concerns via its built-in configurable firewall. Multiple PC's can share a single external IP address while making them invisible to the Internet.

Telecommuters will enjoy the flexibility and simplicity of being able to plug in via either port. VPN-passthrough is supported, enabling secure corporate network connections over the Internet.

The Diva 2440 is a flexible and versatile Internet sharing device, offering G.Lite and Full Rate ADSL access. The Diva 2440 is ready to transform a home or small office into a communications powerhouse.



* Where supported by the ADSL Service Provider.



Key Benefits

Efficient, Secure and Simple

- Connect & Surf™** Configuration can be automatically performed upon connection to an ADSL line. Built-in PPPoE and PPPoA clients means that there is no need for extra PC software to establish an Internet connection.
- Multi-User** Two users can share one Internet connection using both USB and Ethernet ports. Connecting the Diva 2440 to an Ethernet hub enables 50 or more users to share Internet access. A built-in DHCP server automatically assigns IP addresses to all PCs, making configuration effortless.
- Interoperable** The Diva 2440 is compatible with all major manufacturers of DSLAMs, including Alcatel and Siemens, supporting Full Rate ADSL (G.992.1 and T1.413 Issue 2) and G.Lite (G.992.2). The Diva 2440 is available in 2 versions: "ADSL over POTS" (Annex A) and "ADSL over ISDN" (Annex B).
- Secure** NAT and filter options offer firewall functionality at a high security level. Multiple PC's can share a single external IP address while making them invisible to the Internet.
- Management** The Diva 2440 features Eicon's proprietary Diva Assistant software that validates TCP/IP settings on the internal network. It also provides diagnostics, performance statistics and easier access to configuration. A diagnostic log keeps the user informed of network events. Help wizards guide the user in diagnosing events.
- Simple Installation** Plug & Play, auto-configuration and set-up wizards make installation a breeze.

Technical Specifications

Hardware	<ul style="list-style-type: none"> • 1 10BaseT Ethernet port (RJ45) • 1 USB 1.1 port*/** • 1 ADSL port (RJ11) • 6 LED indicators
Operating System	The Ethernet port is operating system independent. The Setup Wizard and Modem Monitor Software is supported under Windows 9x, ME, NT and 2000.
ADSL	Full Rate: up to 8 Mbps downstream, up to 1 Mbps upstream (G.992.1 and T1.413 issue 2). G.Lite: up to 1.5 Mbps downstream, up to 512 kbps upstream (G.992.2). Support for DSL handshaking (G.994.1). DMT line modulation. ADSL Dying Gasp. ADSL over POTS (Annex A) and ADSL over ISDN (Annex B) versions available.
Encapsulation Protocols	IP over ATM, IP over Ethernet over ATM (RFC 2684 - formerly 1483), PPPoA (RFC 2364) and PPPoE (RFC 2516). Compatible with the leading manufacturers of access servers. PAP and CHAP authentication supported.
Firewall	Integrated NAT/PAT firewall hides network addressing and topology of the Ethernet LAN from the Internet. A fully configurable, integrated IP filtering system prevents unwanted traffic (such as port scans) from breaking through from the Internet, and can be configured to restrict any kind of outgoing traffic.
Configuration & Management	Diva Assistant, Web Browser, TFTP and TELNET. Can be remotely managed.
Routing	Includes a DHCP server and client, DNS relay and NAT supporting VPN-passthrough (IPSec, multiple PPTP sessions and others).
Flash Memory	Flash memory used for easy product upgrades of base unit.
Interoperability	Compatible with all major manufacturers of DSLAMs, including Alcatel and Siemens.
Certifications	UL 1950 3rd Ed., FCC Part 15 class B, FCC part 68, CS 03 issue 8 – Industry Canada, CE Mark, IEC60950, CSA 950/US.

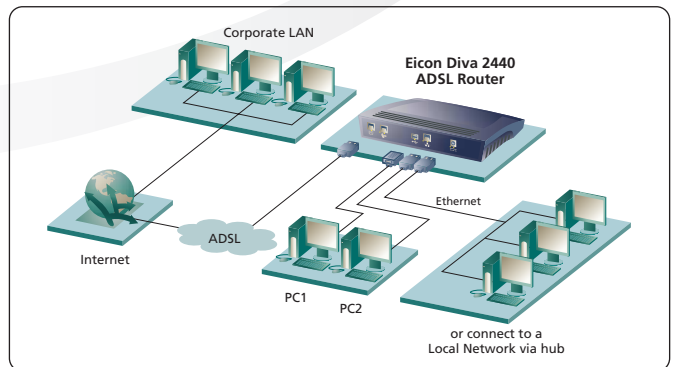
Specifications are subject to change without notice.

* Only supported under Windows 98, Windows ME and Windows 2000

** Not supported on Multiprocessor Systems

Ordering Information

Product Name	Product Code
Diva 2440 ADSL Router Annex A Europe (RJ11 cable)	305-973
Diva 2440 ADSL Router Annex A UK-Version (RJ11 cable)	305-996
Diva 2440 ADSL Router Annex A France (RJ11 cable)	306-195
Diva 2440 ADSL Router Annex B Europe (RJ11 cable)	306-197
Diva 2440 ADSL Router Annex B Germany (RJ45 cable)	306-198



Corporate headquarters
Eicon Networks Corporation
 9800 Cavendish Blvd. Montreal
 Quebec Canada H4M 2V9
 Tel: (514) 745-5500
 Fax: (514) 745-5588

Regional sales head offices
Americas:
Eicon Networks Inc.
 Parkway Centre II
 2805 N. Dallas Parkway Suite 200
 Plano, Texas 75093 USA
 Tel: +1 (972) 473-4500
 Fax: +1 (972) 473-4510
 Offices: Dallas, Montreal

Europe, Middle East, Africa:
Eicon Networks (UK) Ltd.
 4 Mondial Way Harlington Hayes
 Middlesex UB3 5AR United Kingdom
 Tel: +44 (0) 20 8967 8000
 Fax: +44 (0) 20 8967 8050
 Offices: Barcelona, Bergamo, Berlin,
 Copenhagen, Düsseldorf, The Hague,
 Ljubljana, London, Munich, Paris, Stuttgart

Asia Pacific:
 Offices: Beijing, Hong Kong,
 Kuala Lumpur, Shanghai, Sydney