



Project _____
 Item _____
 Quantity _____
 FCSI Section _____
 Approval _____
 Date _____

GAS FIRED STEAM BOILERS

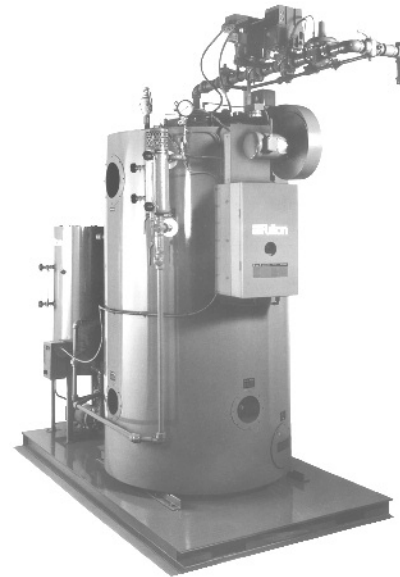
MODELS: GFB-6 GFB-15 GFB-30 GFB-60
 GFB-10 GFB-20 GFB-50

Cleveland Standard Features

- Complete skid-mounted and piped, gas fired Steam Boiler with Vertical Return System and Blow Down Separator
- Available for Pressure Ratings from 15 to 150 psi (specify required operating pressure)
- Vertical Tubeless design
- Fully insulated Boiler with top mounted, down-fired burners
- High Temperature Insulation assists thermal efficiency of 80%
- Spinning Cyclonic Flame travels down the entire length of the Combustion Chamber
- Top Flame Retainer increases occupancy time of flue gases to complete combustion process
- Operating Pressure Control and High Limit Pressure Control with Manual Reset
- Water Column with Water Gauge Assembly
- All necessary valves are included
- Automatic Water Feed System with probe type Water Level Controls and single phase Motor for Pump
- Steam Outlet conveniently located at top of Boiler
- Control Panel factory mounted and wired, ready for power connection
- Built and stamped to A.S.M.E. Code
- Registered with the National Board of Boiler & Pressure Vessel Inspectors
- Accepted for use in U.S.D.A. Inspected Facilities

Options & Accessories

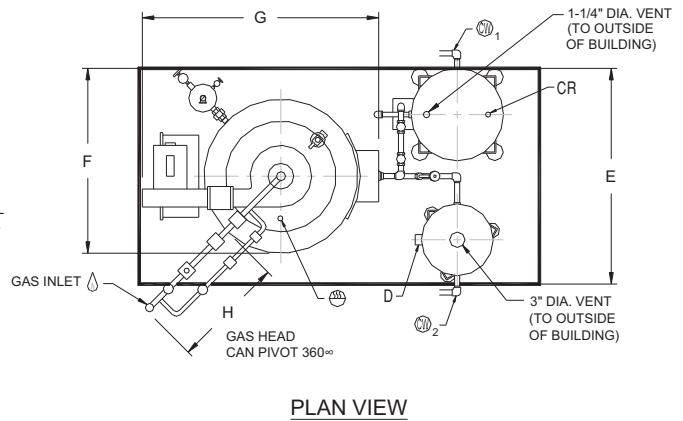
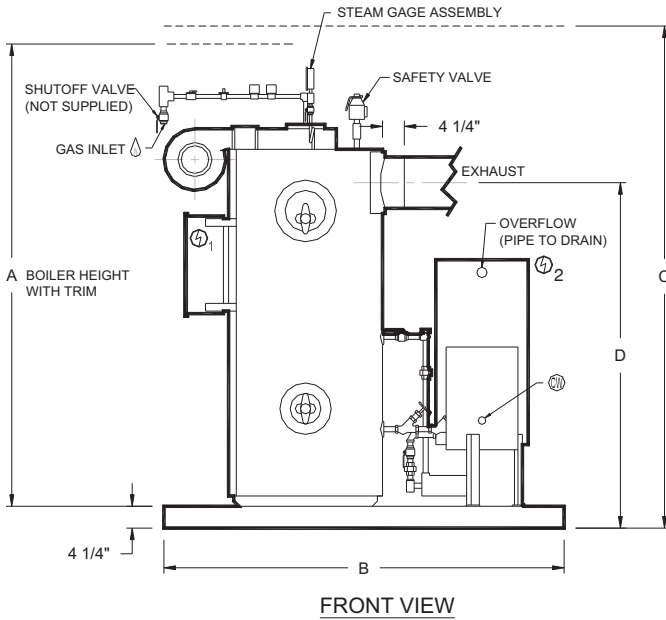
- Stainless Steel outer Jacket
- Automatic Boiler Blow-down Controls
- Applicable Controls to meet the various special insurance, local, state or federal code requirements
- Electric heated Steam Boilers
- Oil-fired Steam Boilers
- Cooling Kit for boiler drain
- Aquastat automatic drain cooling kit
- Larger models available on request



Short Form Specifications

Shall be CLEVELAND Model GFB -____, gas-fired, vertical, tubeless LARGE STEAM BOILER System, ____H.P. (horse power); Complete with Power Burners; Skid mounted and piped with Vertical Condensate Return System and Blow-Down Separator Package; Factory assembled as a self-contained unit, in accordance to U.L. requirements, and A.S.M.E. Section 1 (one) Code; Guaranteed production of _____ pounds of Steam per hour at 212°F.

MINIMUM CLEARANCE	
FRONT	18"
SIDES	18"
REAR	18"
TOP	- see dimension "C"



DIMENSIONS

MODEL	A	B	C	D	E	F	G	H
GFB-6	75"	72"	86 1/4"	56 1/4"	48"	33"	44"	22 1/2"
GFB-10	80 1/2"	78"	90 1/4"	62 1/4"	54"	33 1/2"	46"	21 1/2"
GFB-15	86 1/2"	84"	96 1/4"	67 1/4"	54"	35 1/2"	47"	20 1/2"
GFB-20	92 1/2"	90"	100 1/4"	70 1/4"	54"	43"	60"	25"
GFB-30	102"	96"	110 1/4"	77 3/4"	60"	49"	67"	27"
GFB-50	106 1/2"	114"	118 1/4"	83 1/4"	66"	57"	78"	22 1/2"
GFB-60	120"	114"	128 1/4"	89 1/4"	66"	57"	78"	34"

UTILITY CONNECTIONS

120/1 PH

MODEL	BOILER FILL COLD WATER	BLOW DOWN COLD WATER	STEAM OUTPUT LBS/HR	CONDEN -SATE RETURN	BLOWDOWN DRAIN	NATURAL GAS CONSUMPTION FT ³ /HR	EL1 ELEC- TRICAL	EL2 FOR PUMP		
	1	2		CR	D		1	2		
GFB-6	1/2" NPT	1" NPT	3/4" NPT	207	1" NPT	1 1/2" NPT	1" NPT	260	5.2 AMPS	10 AMPS
GFB-10	1/2" NPT	1" NPT	1" NPT	345	1 1/4" NPT	1 1/2" NPT	1" NPT	420	5.2 AMPS	10 AMPS
GFB-15	1/2" NPT	1 1/4" NPT	1 1/4" NPT	518	1 1/4" NPT	1 1/2" NPT	1 1/4" NPT	630	5.2 AMPS	15 AMPS
GFB-20	1/2" NPT	1 1/4" NPT	1 1/2" NPT	690	1 1/4" NPT	1 1/2" NPT	1 1/4" NPT	840	9.2 AMPS	15 AMPS
GFB-30	1/2" NPT	1 1/4" NPT	2" NPT	1035	1 1/4" NPT	1 1/2" NPT	1 1/2" NPT	1260	9.2 AMPS	20 AMPS
GFB-50	3/4" NPT	1 1/2" NPT	3" NPT	1725	2" NPT	1 1/2" NPT	1 1/2" NPT	2100	**4.4 AMPS	**11 AMPS
GFB-60	3/4" NPT	2" NPT	3" NPT	2070	2" NPT	1 1/2" NPT	2" NPT	2520	**4.4 AMPS	**16.7 AMPS

** 208V / 3PH

NOTE: It is the owners/operators responsibility to meet the recommended minimum water quality requirements.

(NOT TO SCALE)
 SECT. **XIV** PAGE **54**
 0907
 Litho in USA