

# BreezeNET DS.11 Series

BU-DS.11

RB-DS.11

# User Manual



January 2005  
S/W Version 4.2  
P/N: 213993



© Copyright Alvarion Ltd (“Alvarion”). All rights reserved.

The material contained herein is proprietary, privileged, and confidential. No disclosure thereof shall be made to third parties without the express written permission of Alvarion.

Alvarion reserves the right to alter the equipment specifications and descriptions in this publication without prior notice. No part of this publication shall be deemed to be part of any contract or warranty unless specifically incorporated by reference into such contract or warranty.

## Trade Names

Alvarion, BreezeCOM, WALKair, WALKnet, BreezeNET, BreezeMANAGE, BreezeACCESS, BreezeMAX, AlvariSTAR, MGW, eMGW and/or other products and/or services referenced here in are either registered trademarks, trademarks or service marks of Alvarion. All other names are or may be the trademarks of their respective owners.

## Statement of Conditions

The information contained in this manual is subject to change without notice. Alvarion shall not be liable for errors contained herein or for incidental or consequential damages in connection with the furnishing, performance, or use of this manual or equipment supplied with it.

## Warranties; Disclaimers

All Alvarion products purchased from Alvarion or through any of Alvarion’s authorized resellers are subject to the following warranty and product liability terms and conditions.

### Exclusive Warranty

Alvarion warrants that the Product hardware it supplies and the tangible media on which any software is installed, under normal use and conditions, will be free from significant defects in materials and workmanship for a period of fourteen (14) months from the date of shipment of a given Product to Purchaser (the “Warranty Period”). Alvarion will, at its sole option and as Purchaser’s sole remedy, repair or replace any defective Product in accordance with Alvarion’s standard RMA procedure.

## Disclaimer

(a) UNITS OF PRODUCT (INCLUDING ALL THE SOFTWARE) DELIVERED TO PURCHASER HEREUNDER ARE NOT FAULT-TOLERANT AND ARE NOT DESIGNED, MANUFACTURED OR INTENDED FOR USE OR RESALE IN APPLICATIONS WHERE THE FAILURE, MALFUNCTION OR INACCURACY OF PRODUCTS CARRIES A RISK OF DEATH OR BODILY INJURY OR SEVERE PHYSICAL OR ENVIRONMENTAL DAMAGE (“HIGH RISK ACTIVITIES”). HIGH RISK ACTIVITIES MAY INCLUDE, BUT ARE NOT LIMITED TO, USE AS PART OF ON-LINE CONTROL SYSTEMS IN HAZARDOUS ENVIRONMENTS REQUIRING FAIL-SAFE PERFORMANCE, SUCH AS IN THE OPERATION OF NUCLEAR FACILITIES, AIRCRAFT NAVIGATION OR COMMUNICATION SYSTEMS, AIR TRAFFIC CONTROL, LIFE SUPPORT MACHINES, WEAPONS SYSTEMS OR OTHER APPLICATIONS REPRESENTING A SIMILAR DEGREE OF POTENTIAL HAZARD. ALVARION SPECIFICALLY DISCLAIMS ANY EXPRESS OR IMPLIED WARRANTY OF FITNESS FOR HIGH RISK ACTIVITIES.

(b) PURCHASER’S SOLE REMEDY FOR BREACH OF THE EXPRESS WARRANTIES ABOVE SHALL BE REPLACEMENT OR REFUND OF THE PURCHASE PRICE AS SPECIFIED ABOVE, AT ALVARION’S OPTION. TO THE FULLEST EXTENT ALLOWED BY LAW, THE WARRANTIES AND REMEDIES SET FORTH IN THIS AGREEMENT ARE EXCLUSIVE AND IN LIEU OF ALL OTHER WARRANTIES OR CONDITIONS, EXPRESS OR IMPLIED, EITHER IN FACT OR BY OPERATION OF LAW, STATUTORY OR OTHERWISE, INCLUDING BUT NOT LIMITED TO WARRANTIES, TERMS OR CONDITIONS OF MERCHANTABILITY, FITNESS FOR A PARTICULAR PURPOSE, SATISFACTORY QUALITY, CORRESPONDENCE WITH DESCRIPTION, NON-INFRINGEMENT, AND ACCURACY OF INFORMATION GENERATED. ALL OF WHICH ARE EXPRESSLY DISCLAIMED. ALVARION’S WARRANTIES HEREIN RUN ONLY TO PURCHASER, AND ARE NOT EXTENDED TO ANY THIRD PARTIES. ALVARION NEITHER ASSUMES NOR AUTHORIZES ANY OTHER PERSON TO ASSUME FOR IT ANY OTHER LIABILITY IN CONNECTION WITH THE SALE, INSTALLATION, MAINTENANCE OR USE OF ITS PRODUCTS.

(c) ALVARION SHALL NOT BE LIABLE UNDER THIS WARRANTY IF ITS TESTING AND EXAMINATION DISCLOSE THAT THE ALLEGED DEFECT IN THE PRODUCT DOES NOT EXIST OR WAS CAUSED BY PURCHASER’S OR ANY THIRD PERSON’S MISUSE, NEGLIGENCE, IMPROPER INSTALLATION OR IMPROPER TESTING, UNAUTHORIZED ATTEMPTS TO REPAIR, OR ANY OTHER CAUSE BEYOND THE RANGE OF THE INTENDED USE, OR BY ACCIDENT, FIRE, LIGHTNING OR OTHER HAZARD.

## Limitation of Liability

(a) ALVARION SHALL NOT BE LIABLE TO THE PURCHASER OR TO ANY THIRD PARTY, FOR ANY LOSS OF PROFITS, LOSS OF USE, INTERRUPTION OF BUSINESS OR FOR ANY INDIRECT, SPECIAL, INCIDENTAL, PUNITIVE OR CONSEQUENTIAL DAMAGES OF ANY KIND, WHETHER ARISING UNDER BREACH OF CONTRACT, TORT (INCLUDING NEGLIGENCE), STRICT LIABILITY OR OTHERWISE AND WHETHER BASED ON THIS AGREEMENT OR OTHERWISE, EVEN IF ADVISED OF THE POSSIBILITY OF SUCH DAMAGES.

(b) TO THE EXTENT PERMITTED BY APPLICABLE LAW, IN NO EVENT SHALL THE LIABILITY FOR DAMAGES HEREUNDER OF ALVARION OR ITS EMPLOYEES OR AGENTS EXCEED THE PURCHASE PRICE PAID FOR THE PRODUCT BY PURCHASER, NOR SHALL THE AGGREGATE LIABILITY FOR DAMAGES TO ALL PARTIES REGARDING ANY PRODUCT EXCEED THE PURCHASE PRICE PAID FOR THAT PRODUCT BY THAT PARTY (EXCEPT IN THE CASE OF A BREACH OF A PARTY'S CONFIDENTIALITY OBLIGATIONS).

## Electronic Emission Notices

This device complies with Part 15 of the FCC rules, ETSI 300-328 and CE.

Operation is subject to the following two conditions:

1. This device may not cause harmful interference.
2. This device must accept any interference received, including interference that may cause undesired operation.

## FCC Radio Frequency Interference Statement

This equipment has been tested and found to comply with the limits for a Class B digital device, pursuant to part 15 of the FCC Rules. These limits are designed to provide reasonable protection against harmful interference when the equipment is operated in a residential environment, notwithstanding use in commercial, business and industrial environments. This equipment generates, uses and can radiate radio frequency energy and, if not installed and used in accordance with the instructions, may cause harmful interference to radio communications. However, there is no guarantee that interference will not occur in a particular installation.

If this equipment does cause harmful interference to radio or television reception, which can be determined by turning the equipment off and on, the user is encouraged to try to correct the interference by one or more of the following measures:

- Reorient or relocate the receiving antenna.
- Increase the separation between the equipment and receiver.
- Connect the equipment into an outlet on a circuit different from that to which the receiver is connected.

- Consult the dealer or an experienced radio/TV technician for help

Changes or modifications to this equipment not expressly approved by the party responsible for compliance could void the user's authority to operate the equipment.

### FCC Radiation Exposure Statement

To comply with FCC RF exposure requirements in section 1.1307, a minimum separation distance of 2 m (79 inches) is required between the antenna and all persons.

### Antenna Installation

**WARNING:** It is the responsibility of the installer to insure that when using the outdoor antenna kits in the United States (or where FCC rules apply), only those antennas certified with the product are used. The use of any antenna other than those certified with the product is expressly forbidden in accordance to FCC rules CFR47 part 15.204.

The installer should configure the output power level of antennas, according to country regulations and per antenna type.

# Important Notice

This manual is applicable to BreezeNET DS.11 units and is delivered subject to the following conditions and restrictions:

- ◆ This manual contains proprietary information belonging to Alvarion. Such information is supplied solely for the purpose of assisting explicitly and properly authorized users of BreezeNET DS.11 equipment.
- ◆ No part of its contents may be used for any other purpose, disclosed to any person or firm or reproduced by any means, electronic and mechanical, without the express prior written permission of Alvarion.
- ◆ The text and graphics are for the purpose of illustration and reference only. The specifications on which they are based are subject to change without notice.
- ◆ The software described in this document is furnished under a license. The software may be used or copied only in accordance with the terms of that license.
- ◆ Information in this document is subject to change without notice.
- ◆ Corporate and individual names and data used in examples herein are fictitious unless otherwise noted.
- ◆ Alvarion reserves the right to alter the equipment specifications and descriptions in this publication without prior notice. No part of this publication shall be deemed to be part of any contract or warranty unless specifically incorporated by reference into such contract or warranty.
- ◆ The information contained herein is merely descriptive in nature, and does not constitute a binding offer for the sale of the product described herein.
- ◆ Any changes or modifications of equipment, including opening of the equipment not expressly approved by Alvarion will void equipment warranty and any repair thereafter shall be charged for. It could also void the user's authority to operate the equipment.
- ◆ Some of the equipment provided by Alvarion and specified in this manual, is manufactured and warranted by third parties. All such equipment must be installed and handled in full compliance with the instructions provided by such manufacturers as attached to this manual or provided thereafter by Alvarion or the manufacturers. Non-compliance with such instructions may result in serious damage and/or bodily harm and/or void the user's authority to operate the equipment and/or revoke the warranty provided by such manufacturer.

# Contacting Alvarion Technical Support

Should you need assistance beyond the scope of this manual, please contact your local Alvarion reseller or distributor. If they cannot solve your problem, feel free to contact the Alvarion Technical Support Department. The support representative can assist you in solving any problems that cannot be solved by your reseller.

When requesting support, please have the following items available:

- ◆ Configuration of the system, including models of the Alvarion equipment used and other applicable equipment and connecting cables
- ◆ Hardware and Firmware versions of the Alvarion equipment
- ◆ Configuration and statistics counters as viewed in the Configuration Utility
- ◆ Description of the problem encountered

To contact Alvarion Technical Support Department, refer to the Alvarion web site: [www.alvarion.com/support.htm](http://www.alvarion.com/support.htm)



## User Manual



## Table of Contents

<b>Introduction</b>	<b>1-1</b>
<b>Scope of the Manual</b>	<b>1-2</b>
<b>System Description</b>	<b>1-3</b>
Functional Description	1-3
BreezeNET DS.11 Compatibility and Standards	1-4
<b>Installation</b>	<b>2-1</b>
<b>Packing List</b>	<b>2-2</b>
<b>Additional Installation Requirements</b>	<b>2-2</b>
<b>Installation Overview</b>	<b>2-3</b>
<b>Outdoor Installation Considerations</b>	<b>2-5</b>
Collocating DS.11 Outdoor Units	2-5
Site Selection Factors	2-5
Rooftop Installation	2-6
Antennas for Outdoor Applications	2-6
Antenna Polarization	2-6
Antenna Seal	2-7
Cell Size/Link Distance	2-7
Using Outdoor Range Tables	2-7
Available Antennas	2-7
Precautions	2-8
Compliance with Radio Regulations	2-8
<b>Installing the Outdoor Unit</b>	<b>2-9</b>
Connecting the Ground and Antenna Cables	2-11
Connecting the Indoor-to-Outdoor Cable	2-11
<b>Installing the Indoor Unit</b>	<b>2-13</b>
Configuring Parameters	2-14
Antenna Alignment	2-14
<b>Verifying Correct Operation</b>	<b>2-15</b>
Verifying Correct Operation of the Indoor Unit	2-15
Verifying Correct Operation of the Outdoor Unit	2-15

What to do if the Self Test Fails	2-16
<b>The DS.11 Configuration Utility</b>	<b>3-1</b>
<b>Installing and Accessing the Configuration Utility</b>	<b>3-2</b>
<b>Configuration Utility Modes</b>	<b>3-2</b>
Unit Configuration Mode	3-3
Firmware Upgrade Mode	3-28
Multiple Unit Configuration Mode	3-30
<b>Resetting the SNMP Community Strings</b>	<b>3-31</b>
<b>Reloading Factory Default Settings</b>	<b>3-31</b>
<b>Configuration Guidelines</b>	<b>4-1</b>
<b>Configuring Critical Parameters</b>	<b>4-2</b>
One-Click Configuration	4-2
Short Preamble	4-2
CW Minimum	4-2
RTS Threshold	4-3
Basic Rate	4-3
Range	4-3
<b>System Troubleshooting</b>	<b>5-1</b>
<b>Troubleshooting Guide</b>	<b>5-2</b>
<b>Technical Specifications</b>	<b>6-1</b>
<b>DS.11 FAQ</b>	<b>A-1</b>
<b>General</b>	<b>A-2</b>
<b>Collocation and Interference</b>	<b>A-4</b>
<b>Firmware</b>	<b>A-5</b>
<b>Configuration</b>	<b>A-6</b>
<b>Accessories</b>	<b>A-7</b>
<b>Management</b>	<b>A-8</b>
<b>Preparing the Indoor to Outdoor Cable</b>	<b>1</b>
<b>Radio Signal Propagation</b>	<b>1</b>
RF Terms and Definitions	1

# Table of Figures

Figure 1-1: BreezeNET DS.11 Point-to-Multipoint Application	1-3
Figure 2-1: General Installation Scheme - Pole Mounting	2-4
Figure 2-2: Installation Holes/Grooves	2-9
Figure 2-3: 3" Pole Mounting Installation Using the Supplied Brackets	2-10
Figure 2-4: Outdoor Unit Bottom Panel (shown without the service box)	2-11
Figure 2-5: The Waterproof Service Box	2-12
Figure 2-6: Indoor Unit Top Panel	2-13
Figure 3-1: DS.11 Configuration Utility Main Window (Station Control Tab)	3-3
Figure 3-2: The Set IP Dialog Box	3-4
Figure 3-3: Station Status Tab (BU-DS.11)	3-5
Figure 3-4: Networking Parameters Tab (BU)	3-6
Figure 3-5: Networking Parameters Tab (BU)	3-9
Figure 3-6: SNMP Parameters Tab	3-11
Figure 3-7: Counters Tab (BU Units)	3-12
Figure 3-8: WLAN Parameters Tab (BU Units)	3-14
Figure 3-9: WLAN Parameters Tab (RB Units)	3-14
Figure 3-10: The Station Control Tab	3-17
Figure 3-11: Encryption Tab	3-18
Figure 3-12: ACL Table Tab	3-20
Figure 3-13: Advanced Tab	3-21
Figure 3-14: General Parameters Tab (BU)	3-23
Figure 3-15: General Parameters Tab (RB)	3-23
Figure 3-16: Auto-Config Tab	3-26
Figure 3-17: Trap Monitor Tab	3-27
Figure 3-18: Firmware Upgrade Mode dialog box	3-28
Figure 3-19: Firmware Upgrade Process	3-29
Figure 3-20: Advanced TFTP Setup	3-29
Figure 3-21: Multiple Configuration Mode	3-30

# Table of Tables

Table 2-1: Available Antennas .....	2-7
Table 2-2: Indoor Unit LEDs.....	2-15
Table 2-3: Outdoor Unit LEDs .....	2-16
Table 3-1: Regulatory Domains Specifications .....	3-16
Table 3-2: Frequency List .....	3-16



# Chapter 1

## About This Chapter

This chapter is comprised of the following sections:

- ◆ **Scope of the Manual**, page 1-2, describes the chapters and topics comprising the *BreezeNET DS.11 Series User Manual*.
- ◆ **System Description**, page 1-3, provides an overview of the DS.11 system and introduces the system components.

# Scope of the Manual

This manual provides instructions for planning and setting up a wireless link based on the BreezeNET DS.11 wireless Base Unit and Remote Bridge.

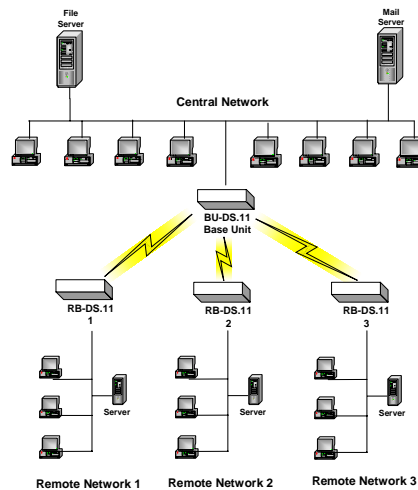
- ◆ **Chapter 1: Introduction** - Describes how to use this manual and presents the BreezeNET DS.11 series.
- ◆ **Chapter 2: Installation** - Describes how to install the BreezeNET DS.11 units.
- ◆ **Chapter 3: The DS.11 Configuration Utility** - Describes how to use the DS.11 Configuration Utility to setup, configure, and manage BreezeNET DS.11 units.
- ◆ **Chapter 4: Configuration Guidelines** - Provides guidelines regarding configuration of parameters that are critical for achieving good performance.
- ◆ **Chapter 5: System Troubleshooting** - Solves some of the more common problems which may occur when installing and using the BreezeNET DS.11 units.
- ◆ **Chapter 6: Technical Specifications** - Lists the technical specifications of the BreezeNET DS.11 units.
- ◆ **Appendix A: DS.11 FAQ**- Answers questions frequently asked by customers.
- ◆ **Appendix B: Preparing the Indoor-to-outdoor Cable** - Explains how to prepare and install the cable connecting the indoor to the outdoor unit.
- ◆ **Appendix C: Radio Signal Propagation** - Describes many of the terms and concepts related to antennas and RF (Radio Frequency) systems.

# System Description

The **BreezeNET DS.11** wireless **Base Unit** (BU-DS.11) and **Remote Bridge** (RB-DS.11) are designed to provide long-range point-to-multipoint links for outdoor applications. The products use direct sequence spread spectrum radio technology operating at the frequency range of 2.4 – 2.4835 GHz, a part of the FCC's unlicensed Industrial, Scientific and Medical (ISM) band. Data is transmitted at rates of up to 11 Mbps, providing network users with full 10BaseT Ethernet speeds.

## Functional Description

The BreezeNET BU-DS.11 and RB-DS.11 can be used as high-speed connections between two or more remote networks.



**Figure 1-1: BreezeNET DS.11 Point-to-Multipoint Application**

## BU-DS.11 Wireless Base Unit

The BU-DS.11 is an IEEE 802.11b compliant base station that connects one or more remote sites to a central server or Internet connection. In a point-to-multipoint configuration the BU-DS.11 is the central unit while in point-to-point configurations it should be installed at one end of the link.

The BU-DS.11 is available in two options: The BU-DS.11 and the BU-DS.11D.

The BU-DS.11 is the basic unit, equipped with an antenna integrated into the front cover of the outdoor unit.

The BU-DS.11D doesn't have an integral antenna and is equipped with a connector (on the outdoor unit) for an external antenna (not included with the unit).

Refer to Antennas for Outdoor Applications on page 2-6 and Available Antennas on page 2-7 for information on how to select an appropriate external antenna.

## RB-DS.11 Wireless Bridge

The RB-DS.11 Wireless Bridge connects a remote Ethernet network to a central network server or Internet site via a BU-DS.11 Multipoint Base Unit.

The maximum number of MAC addresses that the unit can handle at any specific time is 1024 and the Aging algorithm is applied at all times.

When a station on the Ethernet LAN sends a message that is not destined for a local station, the RB-DS.11 forwards the message to the BU-DS.11. When the BU-DS.11 receives a message destined for a station on the RB-DS.11's LAN, the BU-DS.11 forwards it to the RB-DS.11. In this manner, the RB-DS.11 and the BU-DS.11 work together like a standard network bridge.

The first time each station on the RB-DS.11's LAN sends a message, the station's address is registered by both the RB-DS.11 and the BU-DS.11. It is possible for the RB-DS.11 and BU-DS.11 to store all the addresses necessary to support an entire LAN connected to a RB-DS.11.

The RB-DS.11 comes in two options: The RB-DS.11 and the RB-DS.11D.

The RB-DS.11 is the basic unit, equipped with an antenna integrated into the front cover of the outdoor unit.

The RB-DS.11D has no integral antenna and is equipped with an antenna connector (on the outdoor unit) for the connection of an external antenna (not included with the unit).

Refer to Antennas for Outdoor Applications on page 2-6 and Available Antennas on page 2-7 for information on how to select an external antenna.

## BreezeNET DS.11 Compatibility and Standards

BreezeNET DS.11 products are compatible with the following standards and are interoperable with other IEEE 802.11b compatible, 2.4 GHz direct sequence products.

- ◆ IEEE 802.11b Wireless LAN.
- ◆ IEEE 802.3 10BaseT Ethernet.
- ◆ DHCP for automatic IP address assignment.
- ◆ SNMP for system management.



## Chapter 2



### About This Chapter

This chapter is comprised of the following sections:

- ◆ **Packing List**, page 2-2, describes the components included with the BreezeNET DS.11 series installation kit.
- ◆ **Additional Installation Requirements**, page 2-2, describes the additional standard tools and materials required for installation.
- ◆ **Installation Overview**, page 2-3, provides an overview of the installation procedures.
- ◆ **Outdoor Installation Considerations**, page 2-5, describes the factors that must be taken into account when installing the outdoor units.
- ◆ **Installing the Outdoor Unit**, page 2-9, describes how to install the outdoor unit.
- ◆ **Installing the Indoor Unit**, page 2-13, describes how to install the indoor unit and configure the required parameters.
- ◆ **Verifying Correct Operation**, page 2-15, describes how to ensure that the installation was successful and the units are functioning correctly.

## Packing List

Ensure that all of the following items are included with the unit's installation kit:

- ◆ Indoor unit.
- ◆ Outdoor unit (includes integrated antenna or antenna connector for optional connection to external antenna).
- ◆ Pole mounting kit for the outdoor unit (includes two brackets and four sets of bolts, nuts and washers).
- ◆ 110/220 VAC Power Cord.
- ◆ Indoor-to-outdoor cable kit.
- ◆ Configuration Utility diskette.

## Additional Installation Requirements

The following materials are not supplied with the installation kit but are required for the installation procedure.

- ◆ Indoor-to-outdoor cable\* (available in different lengths if the length of the cable included with the unit is insufficient).
- ◆ Antenna\* and RF cable\* (if using an external antenna).
- ◆ Ground cable with an appropriate termination.
- ◆ Ethernet cable (straight for connecting to a hub).
- ◆ Installation tools and materials, including appropriate means (e.g. a pole) for installing the outdoor unit.
- ◆ Crimping tool for RJ-45 connectors.

Items marked with an asterisk (\*) are available as options from Alvarion.

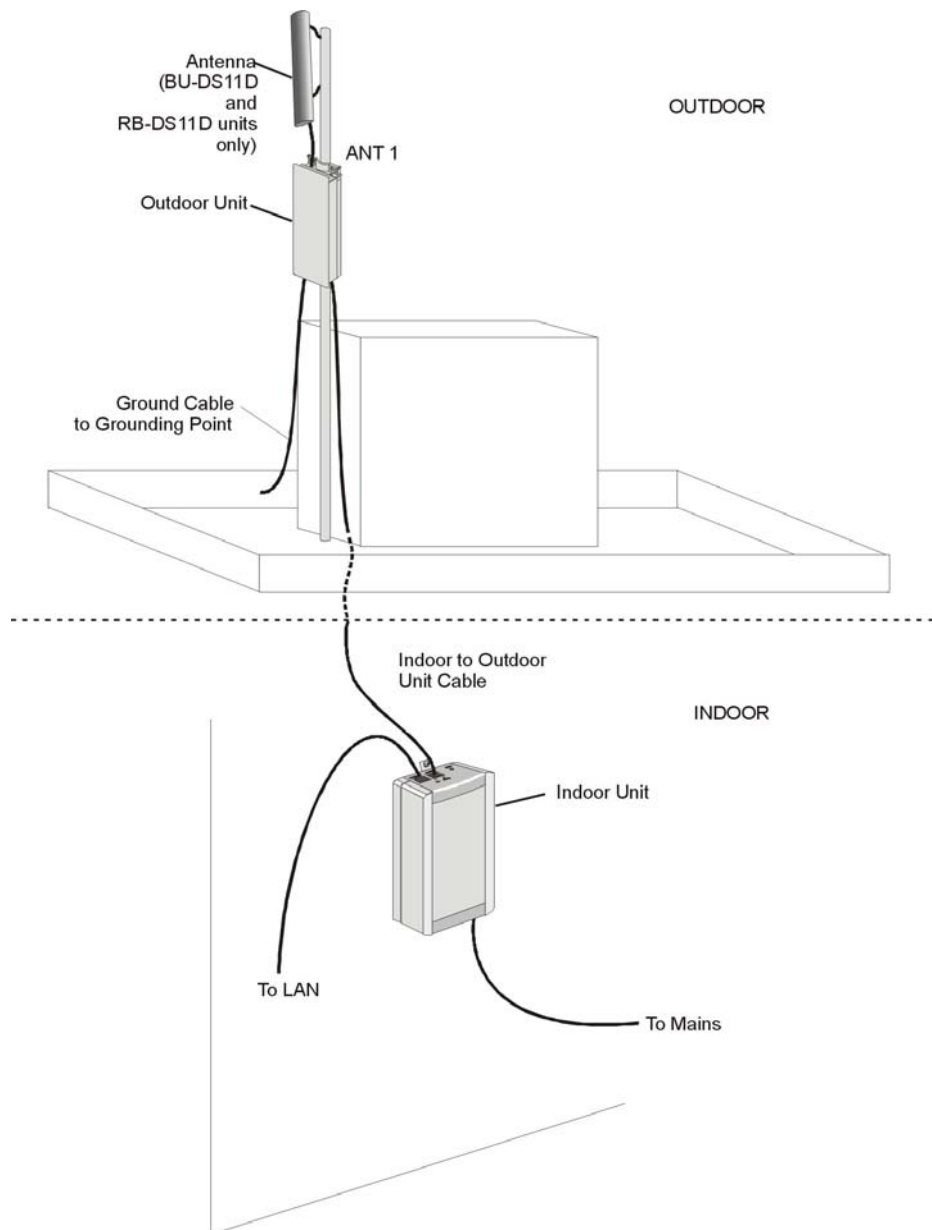
# Installation Overview

The following outlines the steps of the installation procedure.

1. Select appropriate locations for the outdoor unit, the antenna (if using an external antenna) and the indoor unit.
2. Mount the outdoor unit. If using an external antenna mount the antenna and connect it to the outdoor unit.
3. Connect a ground cable from the outdoor unit to an appropriate grounding point.
4. Connect the indoor-to-outdoor cable to the outdoor unit and route it to the location selected for the indoor unit. Refer to Appendix B for instructions on preparing the indoor-to-outdoor cable.
5. Mount the indoor unit. Connect the indoor-to-outdoor cable to the indoor unit's Radio port.
6. Connect the indoor unit's Ethernet port to the user's network using an Ethernet cable.
7. Configure the unit's parameters.
8. Align the antenna and verify connectivity with any other units.

**NOTE:**

The indoor unit should only be connected to the power source **after** it has been connected to the outdoor unit.



**Figure 2-1: General Installation Scheme - Pole Mounting**



**NOTE:**

Use a straight Ethernet cable to connect the indoor unit to a hub, or use a crossed cable to connect it directly to a PC's Network Interface Card (NIC).

# Outdoor Installation Considerations

This section describes various considerations to take into account when planning an outdoor installation including site selection, antenna alignment, antenna polarization, antenna seal, and cell size.

## Collocating DS.11 Outdoor Units

Up to three BU-DS.11 units with omni-directional antennas (the exact number depends on the number of non-overlapping channels available in the relevant regulatory domain) can be collocated on the same building top or tower.

Collocating more than three units may decrease performance depending upon the type of antenna and its direction. Each unit should be assigned to one of the non-overlapping channels: 1, 7, or 13 in ETSI or 1, 6 or 11 in FCC.

The antennas of collocated units should be mounted at least 60 cm (2 feet) apart when using UNI-16's, 4.5 m (15 feet) apart when using UNI-24's, and 21 m (75 feet) apart when using OMNI-8's. Omni antennas must be separated also vertically. Greater separation will improve the link distance.

## Site Selection Factors

When selecting a location for outdoor units and external antennas, remember to take into consideration the following guidelines:

- ◆ Minimum distance between sites.
- ◆ Maximum height above the ground.
- ◆ Maximum line of sight clearance.

### Path of Clearest Propagation

A propagation path is the path that signals traverse between the antennas of any two units. The "line" between two antenna sites is an imaginary straight line, which may be drawn between the two antennas. Any obstacles in the path of the "line" degrade the propagation path. The best propagation path is, therefore, a clear line of sight with good clearance between the "line" and any physical obstacle.

### Physical Obstacles

Any buildings or other physical structures such as trees, mountains or other geographic features higher than the antenna and situated in the path between the two sites can constitute obstructions and cause signal attenuation. Install outdoor antennas high enough to avoid any obstacles that may block the signal.

## Path Loss

Path loss is determined mainly by several factors:

- ◆ **Distance Between Sites:** Path loss is lower and system performance is better when distances between sites are shorter.
- ◆ **Clearance:** Path loss is minimized when there is a clear line of sight. The number, location, size, and makeup of obstacles determine their contribution to path loss.
- ◆ **Antenna Height:** Path loss is lower when antennas are positioned higher. Antenna height is the distance from the imaginary line connecting the antennas at the two sites to ground level. Ground level in an open area is the actual ground. In dense urban areas, ground level is the average height of the buildings between the antenna sites.

## Rooftop Installation

Rooftop installations offer several advantages:

- ◆ Fewer obstacles in the path.
- ◆ Improved performance due to greater height.

## Antennas for Outdoor Applications

The BreezeNET DS.11 series can be used in point-to-point or point-to-multipoint configurations.

### Point-to-Point

The BU-DS.11/RB-DS.11 can be equipped with a directional antenna. The required antenna gain depends on the required range and performance.

### Point-to-Multipoint

Setting up a point-to-multipoint link requires the use of a Base Unit equipped with an omni-directional antenna (or an antenna with sufficient bandwidth to illuminate all units) and at least two remote units equipped with high-gain directional antennas.

## Antenna Polarization

Antenna polarization must be the same at both ends of the link. In most applications, the preferred orientation is vertical polarization, which is better for above ground propagation. To verify antenna polarization, refer to the assembly instructions supplied with the antenna set.

## Antenna Seal

When using outdoor antennas, you must seal all cable connections to prevent water or dirt from entering the connector.

## Cell Size/Link Distance

Cell size is determined by the maximum possible distance between the BU-DS.11 and a RB-DS.11 unit. For open outdoor areas with an unobstructed line of sight between the BU-DS.11 and the RB-DS.11 units, the suggested maximum distance is up to 10 km (6 miles) where ETSI is the regulatory domain and 25 km (15 miles) where FCC is the regulatory domain.

### NOTE:



The maximum distance of 25 km (15 miles) under FCC regulations is achieved using 24 dBi antennas and 24 dBm output power. The maximum distance of 10 km (6 miles) under ETSI regulations is achieved using 24 dBi antennas and -4dBm output power.

## Using Outdoor Range Tables

Specific range tables, guidelines and information about extended cables can be obtained from your local dealer or the Alvarion central offices.

Outdoor installations must have a clear line-of-sight between antennas. Large obstacles such as buildings or hills can prevent the establishment of a link while smaller obstacles such as trees or vehicles traffic can reduce range. Extended coaxial cables can cause an increase in signal loss and a reduction in range.

## Available Antennas

The following table lists several antennas suitable for BreezeNET DS.11 units.

### TIP:



Cable length should be minimized in order to gain maximum link budget.

Model	Ant. Gain	Ideal for:	Dispersion	Dimensions H x W x D
OMNI-8	8 dBi	Establishing 360° coverage for outdoor multipoint links.	360°H/13° V	20" x 5/8" Tubular
UNI-16P	16 dBi	Medium to long range outdoor links requiring compact form factors.	28°H/28° V	11" x 11" x 3.5"
UNI-24	24 dBi	Long range outdoor point-to-point links.	6°H/10° V	24" x 36" x 15"

**Table 2-1: Available Antennas**

## Precautions

Outdoor units and antennas should be installed ONLY by experienced antenna installation professionals who are familiar with local building and safety codes and, wherever applicable, are licensed by the appropriate government regulatory authorities. Failure to do so may void the BreezeNET Product Warranty and may expose the end user to legal and financial liabilities.

Alvarion and its resellers or distributors are not liable for injury, damage or violation of government regulations associated with the installation of external antennas.

The system complies with the ETS 300 385 standard and is protected against secondary lightning strikes when its outdoor unit is properly grounded according to the applicable country-specific industry standards for protection against lightning. The system complies with EN 61000-4-5, test level 3 (2kV).

## Compliance with Radio Regulations

Regulations regarding maximum antenna gains vary from country to country. It is the responsibility of the end user to operate within the limits of these regulations as well as to ensure that the professional installer is aware of these regulations.

Violation of government regulations exposes the end user to legal and financial liabilities. Alvarion, its resellers and distributors shall not be liable for expense or damage incurred as a result of installations that exceed local transmission power limitations.



## Installing the Outdoor Unit

The outdoor unit can be secured to the pole using one of the following options:

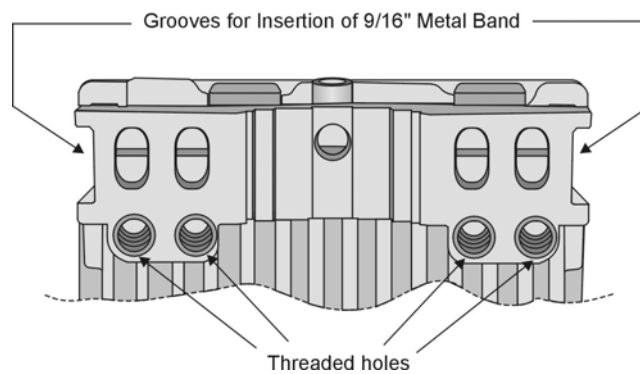
- ◆ Special brackets sets (supplied with each unit). There are two pairs of threaded holes on the units, allowing the use of the brackets with various pole widths.
- ◆ Metal bands (9/16" wide, minimum 12" long).

Figure 2-2 shows the locations of the holes and grooves on the back of the unit.

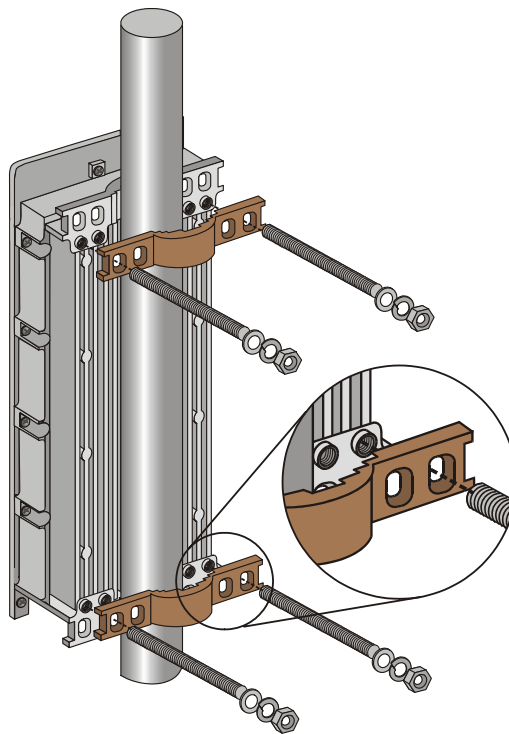
Figure 2-3 illustrates the method of installing a unit on a pole using the supplied brackets.

**NOTE:**

Make sure to install the unit with the bottom panel (the panel with the signal strength bar and LEDs) facing downward.



**Figure 2-2: Installation Holes/Grooves**



**Figure 2-3: 3" Pole Mounting Installation Using the Supplied Brackets**

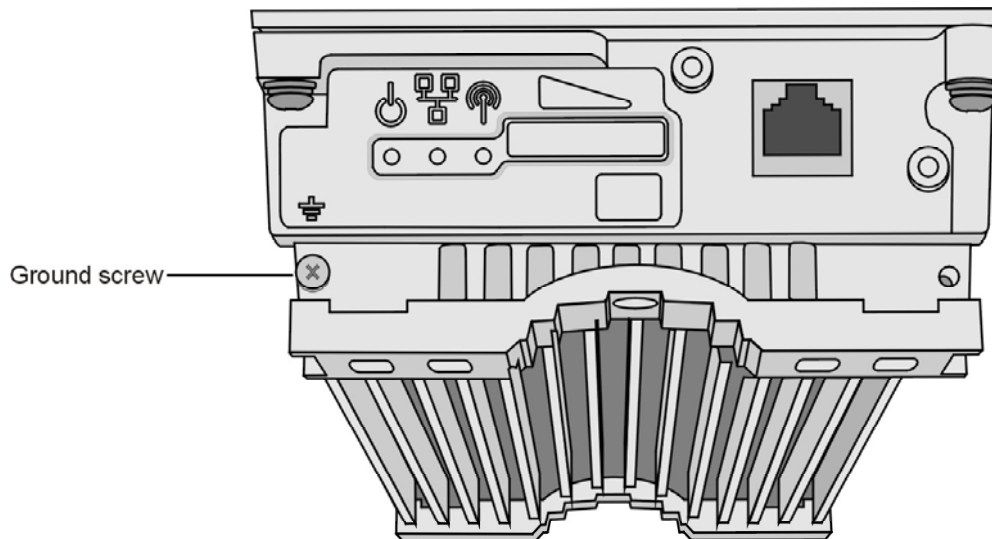
**NOTE:**



When inserting the open-ended bolts, make sure to insert them with the grooves pointing outwards; these grooves are intended to allow fastening of the bolts with a screwdriver.

## Connecting the Ground and Antenna Cables

The Ground terminal (marked  $\oplus$ ) is located on the bottom panel of the outdoor unit. In DS.11D units the antenna's RF connector (marked  $\Upsilon$ ) is located on the top panel of the outdoor unit.

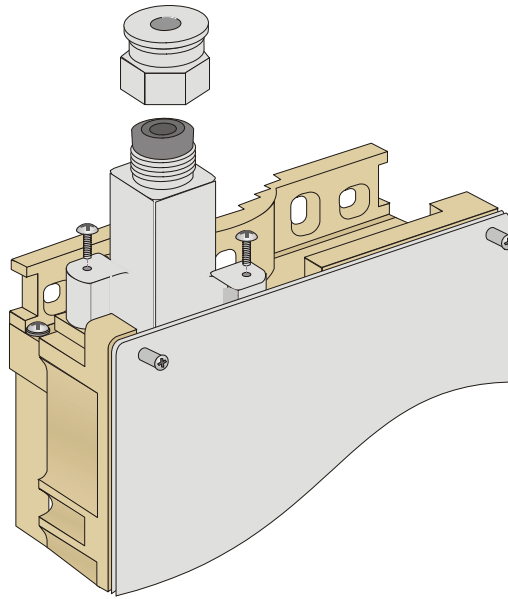


**Figure 2-4: Outdoor Unit Bottom Panel (shown without the service box)**

1. Connect one end of the grounding cable to the Ground terminal and connect the other end to a good ground connection.
2. For DS.11D units, connect an RF cable between the antenna connector and the antenna.

## Connecting the Indoor-to-Outdoor Cable

The following steps and figure illustrate how to connect the indoor-to-outdoor cable. The cable is supplied by Alvarion with an RJ-45 on the outdoor end, with the other end open to facilitate easy routing through holes to the location intended for the indoor unit. The cable is supplied together with the waterproof service box. The kit includes also an O-ring for the service box, an RJ-45 connector and a connector cover.



**Figure 2-5: The Waterproof Service Box**

1. Place the O-ring of the service box in its intended location.
2. Connect the Ethernet cable to the outdoor unit's RJ-45 connector.
3. Attach the service box to the outdoor unit and then tighten the top nut. Make sure that the O-ring is in its intended location to verify proper sealing.
4. Route the cable to the location selected for the indoor unit.
5. Insert the protective cover before connecting the indoor end to the RJ-45 connector. Prepare the indoor end of the cable according to the instructions in Appendix B.

## Installing the Indoor Unit

Route the indoor-to-outdoor cable into the building so that it conveniently reaches the indoor unit while avoiding interference sources. It is recommended that the cable be a little longer than necessary. The cable is supplied open ended so it can be conveniently threaded as shown into the building.

1. The unit can be placed on a desktop or a shelf. Alternatively, it may be wall-mounted. The drilling template included with the unit can be used to simplify the wall installation process.
2. Assemble an RJ-45 connector with a protective cover on the indoor side of the indoor-to-outdoor cable. Refer to Appendix B for instructions on preparing the RJ-45 cable connector.
3. Connect the indoor-to-outdoor cable to the Radio connector, located on the top panel of the indoor unit shown in Figure 2-6. The indoor-to-outdoor cable should be connected to the unit before the unit is connected to the mains power.
4. After connecting the outdoor unit to the indoor unit using the indoor-to-outdoor cable, connect the power cord to the unit's AC socket, located on the bottom panel. Connect the other end of the power cord to the AC mains after verifying that the unit is rated for the voltage in the country of use; the AC rating is indicated on the bottom panel of the indoor unit.

**NOTE:**

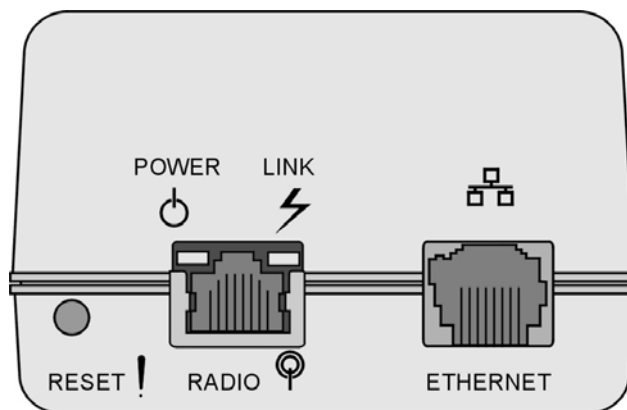
The color codes of the power cable are:

Brown: phase ~

Blue: neutral 0

Yellow/Green: grounding  $\perp$

5. Verify that the yellow POWER LED located on the top panel is lit, indicating that the unit is supplying power to the radio port.



**Figure 2-6: Indoor Unit Top Panel**

6. Connect the 10BaseT ETHERNET connector (marked ) to the network. The cable connection should be straight Ethernet if connecting the indoor unit to a Hub and a crossed cable if connecting it directly to a PC Network Interface Card (NIC).

**NOTE:**

The length of the Ethernet cable connecting the indoor unit to the user's equipment, together with the length of the indoor-to-outdoor cable, should not exceed 100 meters.

## Configuring Parameters

Before aligning the antenna, certain key parameters must be configured to enable connectivity with linked units.

See *Unit Configuration Mode* on page 3-3 for more information.

## Antenna Alignment

Usually, low gain antennas do not require alignment due to their very wide radiation pattern. High gain antennas, including the integral antenna of DS.11 units, have a narrow beam-width necessitating an alignment procedure in order to optimize the link.

Check the antenna alignment by using the RSSI bar on the bottom panel of the RB-DS.11 unit.

➤ **To align the antenna:**

1. Confirm that the units at both ends of the link are receiving power.
2. Synchronize the units by aligning the antennas at the base and remote sites until maximum signal quality is obtained. Check the signal quality Received Signal Strength Indication (RSSI) bar on the bottom panel of the RB-DS.11. The first LED lights red to indicate that the unit is working. The remaining nine LEDs light green to indicate the signal strength. The stronger the signal the more LEDs are lit. Rotate the antenna slowly to the left or right using small increments until you reach the point of maximum RSSI reading. Make sure that at all times the front of the antenna faces the general direction of the BU-DS.11.

## Verifying Correct Operation

The following sections describe how to ensure that the units are correctly installed and functioning properly.

### Verifying Correct Operation of the Indoor Unit



To verify proper operation, check the LED indicators located on the top panel of the indoor unit as shown in Figure 2-6 on page 2-13, and as described in Table 2-2.

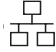
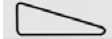
Name	Description	Functionality
<b>POWER</b>	Power indication	<i>Orange</i> - 48VDC is present on the Radio RJ45 port. <i>Off</i> - No power is supplied to the Radio RJ45 port.
<b>LINK</b>	Self Test and Ethernet Link indication	The LINK LED indicates end-to-end connection between the outdoor unit and the Ethernet connection to the indoor unit. <i>Off</i> - No Ethernet connectivity has been detected between the outdoor unit and the device connected to the indoor unit. <i>Green</i> - Self-test passed and Ethernet connection is confirmed by the outdoor unit (Ethernet integrity check passed).

**Table 2-2: Indoor Unit LEDs**

### Verifying Correct Operation of the Outdoor Unit

To verify proper operation, check the LED indicators located on the bottom panel of the outdoor unit.

Name	Description	Functionality
<b>WLAN</b> 	Wireless Link Indicator	The green LED is updated every second. It will be turned on if at least one data packet (excluding beacons) was transmitted during the last second. Thus, it will stay on continuously when there is high traffic. In lower traffic rates it will blink-where the blinking rate is slower when there is less wireless traffic.
<b>DC Power</b> 	Self Test and Power indication	<i>Green</i> - Power is available and self-test passed.

Name	Description	Functionality
<b>ETH</b> 	Ethernet activity/ connectivity indication	<p><i>OFF</i> –Ethernet connectivity is OK. No traffic activity detected on the port.</p> <p><i>Blinking Green</i> –Ethernet connectivity is OK, with traffic on the port.</p> <p><i>Red</i> – No Ethernet connectivity. When this state occurs, check the Ethernet cable and indoor-to-outdoor cable connections.</p>
<b>RSSI/Load BAR</b> 		<p><i>RB-DS.11</i>: Received Signal Strength Indication</p> <p><i>BU-DS.11</i>: Number of associated RB-DS.11 units</p>

**Table 2-3: Outdoor Unit LEDs**

## What to do if the Self Test Fails

Upon failure of the self-test, the WLAN, DC Power and ETH LEDs, as well as the leftmost 2 LEDs of the RSSI bar are blinking synchronously. The statuses of the other 8 LEDs of the bar indicate the specific problem type.

If the Self-Test fails, try the following:

- ◆ Reset unit (Disconnect/reconnect the power).
- ◆ Check the indoor-to-outdoor cable.
- ◆ Reset to factory defaults (see page 3-31).

If all fails, contact technical support and provide details regarding the status of the RSSI LEDs.



## Chapter 3



### About This Chapter

The DS.11 Configuration Utility is an SNMP-based utility that provides a consistent view of the wireless network. The system administrator can use the DS.11 Configuration Utility to control a large number of DS.11 units from a single location. The Configuration Utility can be used to manage BU-DS.11 and RB-DS.11 units as well as other members of the BreezeNET DS.11 family including the WBS, WBC, AP-DS.11 and SA-DS.11. The description in this manual, however, is limited to management and configuration of BU-DS.11 and RB-DS.11 units. Refer to the DS.11 section of [www.alvarion.com](http://www.alvarion.com) for more information on how to use the utility with other products.

Using the Configuration Utility you can:

- ◆ Assign radio channels for optimal cell operation.
- ◆ Configure units with a specified IP address.
- ◆ Set the SNMP Read/Write Community strings.
- ◆ Verify the status of all units in the network.
- ◆ Configuration of a wide range of operational parameters, including WLAN, IP and Security parameters.
- ◆ View Tx and Rx counters.
- ◆ Obtain general information such as the Firmware version and system name.

This chapter is comprised of the following sections:

- ◆ **Installing and Accessing the Configuration Utility**, page 3-2, describes how to install and initialize the configuration application.
- ◆ **Configuration Utility Modes**, page 3-2, describes the various modes, functions and parameters of the Configuration Utility.
- ◆ **Reloading Factory Default Settings**, page 3-31, describes how to revert unit parameters to their original factory defaults.

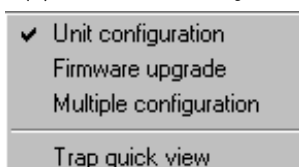
# Installing and Accessing the Configuration Utility

The Configuration Utility is provided for installation on a 3.5" diskette.

1. Insert the provided diskette into the computer where you wish to install the Configuration Utility.
2. Run DS11mgr.exe.
3. Follow all instructions until you are informed that the Utility was installed successfully.
4. Run the Configuration Utility from the Start menu by selecting it in the DS.11 Configuration Utility folder under Programs.

## Configuration Utility Modes

There are several DS.11 Configuration Utility modes of operation; these options are selected via the Mode menu in the configuration utility main window (shown below). The selected mode(s) is indicated by a check mark in the menu.



- ◆ **Unit configuration:** This is the default mode and is used for setting parameters as detailed in this manual.
- ◆ **Firmware upgrade:** Used for upgrading the embedded software in managed units; refer to *Firmware Upgrade Mode*, on page 3-28 for instructions on using this feature.
- ◆ **Multiple configuration:** Used for setting configuration parameters for more than one unit simultaneously; refer to *Multiple Unit Configuration Mode*, on page 3-30, for instructions on using this feature.
- ◆ **Trap quick view:** When set to this mode, the PC switches automatically to the *Trap Monitor* tab when Unit Configuration mode is selected.

## Unit Configuration Mode

The following sections describe the various screens, controls and parameters available in Unit Configuration mode.

### Control Window

In this section, you can:

- ◆ Discover the units that are connected to the network.
- ◆ View the DS.11 units that have been discovered by their IP address.
- ◆ Select the units you wish to manage.
- ◆ Locate units behind a router that cannot be detected by the autodiscovery feature
- ◆ Assign unit IP addresses based on unit MAC addresses.
- ◆ Set the SNMP Community string.

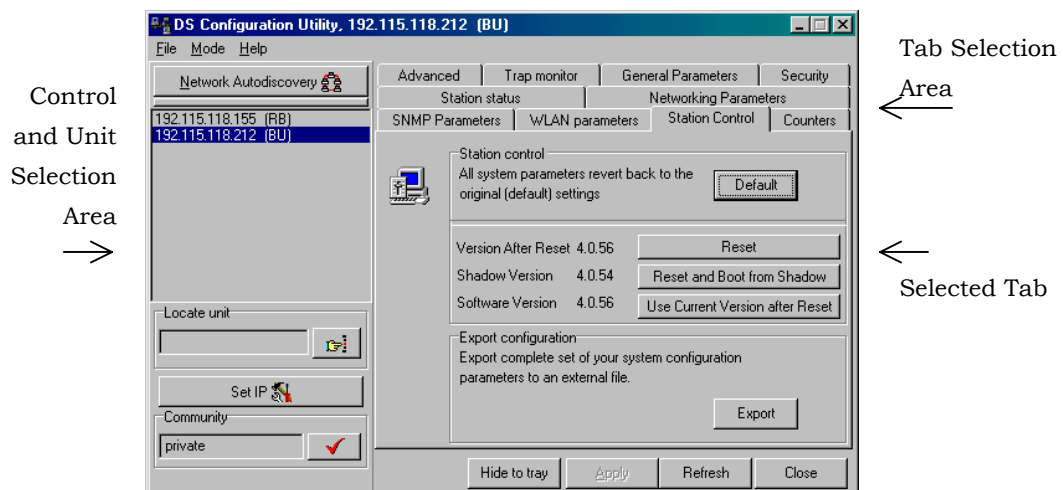
#### NOTE:



If there are many units in the managed network, you can enlarge the list box by clicking the horizontal line above the list. Click again to toggle back the default display state. The list box also displays the location of each unit, as set in the Station Status window.

### Tabs Section

This section consists of several tabs, each containing parameters required for the management of the selected unit. The different tabs are described in the following sections. When you switch between the tabs, the unit selection section with the selected unit address remains displayed.




**Figure 3-1: DS.11 Configuration Utility Main Window (Station Control Tab)**

## Control Window


The following sections describe how to work with the Control Window.

### Selecting Units

You can select a unit to manage in one of the following ways:

- ◆ Click the Network Autodiscovery button. All the IP addresses of units in the same domain but not hidden behind a router (under the selected community) are displayed in the list box underneath the button. Click on an address to select the corresponding unit for viewing and configuration.
- ◆ Type the unit's IP address in the Locate Unit field (for stations which are located behind a router) and click . This will add the unit information to the selection list.

### Setting the SNMP Community String

Type the known Read/Write Community string in the Community field (the default string is public for read and private for read/write) and click the  button to confirm.

### Assigning and Editing IP Addresses Manually (based on MAC addresses)

This section describes how to manually input or modify the IP address of the selected unit.

1. Click the **Set IP** button. The Set IP dialog box appears.



**Figure 3-2: The Set IP Dialog Box**



2. Type the parameters in the appropriate fields and click OK; the MAC address is shown on the bottom label of the indoor and outdoor units. A message box is displayed notifying you when the changes are to take affect. This feature can be used only if the DS.11 Configuration Utility is on the same Ethernet segment as the unit and not behind a router.

**NOTE:**

In order to see the unit after assigning the IP address, the PC with the Configuration utility should be on the same IP subnet as the assigned IP address. Units receive auto IP address if there is no DHCP server and the unit is configured to work in the Smart mode. The IP address will be chosen randomly in the 169.254.x.x range with a subnet mask of 255.255.0.0.

## Application Control Buttons

The following buttons always appear at the bottom of the Configuration Utility window. Additional buttons, specific to certain tabs, are explained when relevant.

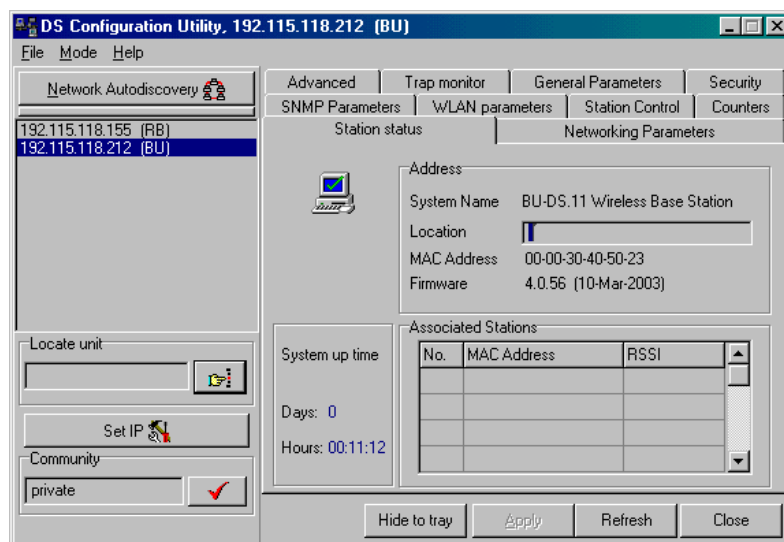
- ◆ **Hide to Tray:** Minimizes the application into the  icon, placed in the Windows task bar (at the bottom of the Windows desktop). To restore the application, click the  icon.
- ◆ **Apply:** Implements any changes you made.
- ◆ **Refresh:** Refreshes the window with the most recent data from the unit.
- ◆ **Cancel:** Closes the window without implementing any changes you made.

## Configuration Utility Tabs

The following sections describe the tabs and parameters provided by the Configuration Utility in Unit Configuration mode.

### Station Status Tab

The Station Status tab displays general information regarding the unit's firmware and hardware versions as well as general unit address information.



**Figure 3-3: Station Status Tab (BU-DS.11)**

The *Station Status* tab is comprised of the following components:

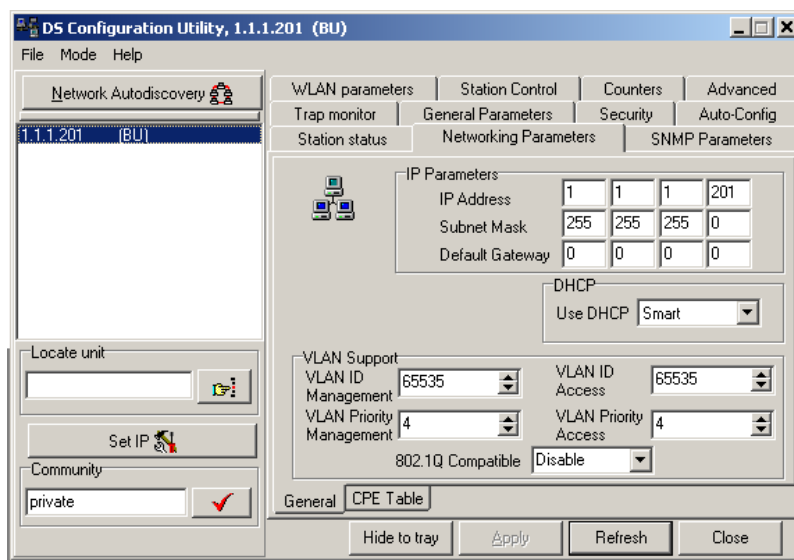
- ◆ **System Name:** The name of the selected unit.

- ◆ **Location:** A user-defined description of the location of the selected unit, up to 28 ASCII characters long (optional).
- ◆ **MAC Address:** MAC address of the selected unit.
- ◆ **Firmware:** The current firmware version.
- ◆ **BSS Address (RB-DS.11 units only):** Defines the MAC address of the BSS, which is the BU-DS.11 the unit is associated with.
- ◆ **Associated Stations (BU-DS.11 units only):** Details concerning the RB-DS.11 units associated with the BU-DS.11. The information provided for each associated RB-DS.11 unit includes its' MAC address and the level in dBm at which it is received by the BU-DS.11 (RSSI).

## Networking Parameters Tab

The Networking Parameters tab enables you to define or edit the IP and VLAN parameters of units. In BUs it is comprised of two sub-tabs: The General tab and the CPE Table tab.

### Networking Parameters-General Tab



**Figure 3-4: Networking Parameters Tab (BU)**

The networking IP parameters can be configured manually. They may also be assigned automatically by a DHCP server.

### IP Parameters

- ◆ **IP Address:** The IP address of the selected unit.
- ◆ **Subnet mask:** The Subnet mask of the selected unit.
- ◆ **Default gateway:** The default gateway of the selected unit.

## DHCP

- ◆ **Use DHCP:** Sets the way your system utilizes the Dynamic Host Configuration Protocol (DHCP, used for automatic IP assignment).
  - ❖ **Always:** The system searches for a DHCP server each time the unit is turned on.
  - ❖ **Smart:** The system searches for a DHCP server only if no IP address was assigned. If an IP address was assigned manually, the system will not search for a DHCP server.
  - ❖ **Never:** The system never searches for a DHCP server.  
The default value is **Smart**.

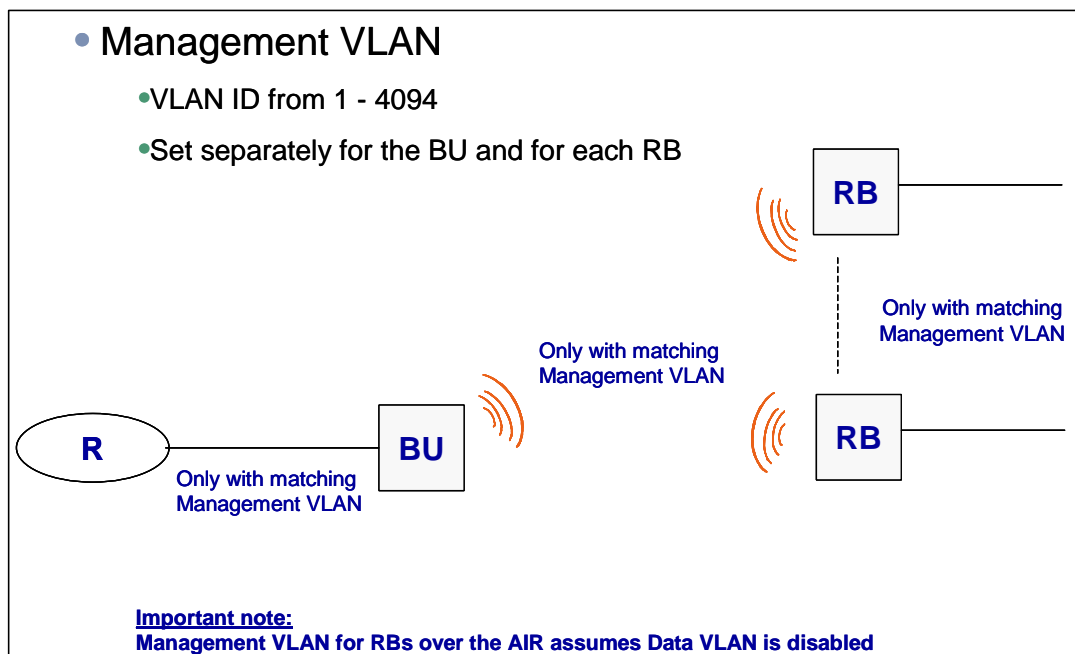
### NOTE:



When the unit is configured to use a DHCP server and none exists, the unit will assign itself an automatic class B address in the range 169.254.X.X; this can be used with Auto Discovery when the MAC address is not available.

## VLAN Support

- ◆ **VLAN ID Management:** The VLAN ID Management defines the VLAN ID for management frames, which identifies remote stations for management purposes. This applies to all management applications using protocols such as SNMP, TFTP, ICMP (ping), DHCP and Telnet. When management VLAN is enabled, all servers/stations using these protocols must tag the management frames sent to the unit with the value of the VLAN ID Management parameter.



Operation with Management VLAN enabled (VLAN ID Management is 1-4094):

- ❖ The unit accepts only tagged management frames with a matching VLAN ID received on either the Ethernet or wireless link ports.

- ❖ A VLAN Management Tag is inserted in all management frames generated by the unit before transmission to either the Ethernet or wireless link port. The tag includes the values of the VLAN ID Management and the VLAN Priority Management parameters.

Operation with Management VLAN disabled (VLAN ID Management is 65535):

- ❖ The unit accepts only untagged management frames received on either the Ethernet or wireless link ports.
- ❖ Management frames generated by the unit are not tagged.

Valid values: 1 to 4094 or 65535 (No VLAN).

The default value is 65535 (No VLAN).

- ◆ **VLAN Priority Management:** When Management VLAN is enabled, a VLAN tag is inserted in all management frames generated by the unit before transmission to either the Ethernet or wireless link port. The tag includes the values of the VLAN ID Management and the VLAN Priority Management parameters. The VLAN Priority Management defines the value of the VLAN Priority field for these tags. This parameter only impacts the way other VLAN aware devices handle the frame.

Valid values range from 0 to 7.

The default value is 3 for both RBs and BUs.

- ◆ **VLAN ID Access (BU only):** The VLAN ID Access is the default VLAN ID for RBs that are not included in the CPE Table (see below).

Valid values: 1 to 4094 or 65535 (No VLAN).

The default value is 65535 (No VLAN).

- ◆ **VLAN Priority Access (BU only):** The VLAN Priority Access is the default VLAN Priority for RBs that are not included in the CPE Table (see below).

Valid values range from 0 to 7.

The default value is 3.

- ◆ **802.1Q Compatible (BU only):** In SW version 4.1, encapsulation of tagged frames transmitted on the wireless port was not compatible with the IEEE 802.1Q standard. The 802.1Q Compatible parameter enables choosing the encapsulation method: 802.1Q compatible or DS.11 SW version 4.1 compatible.

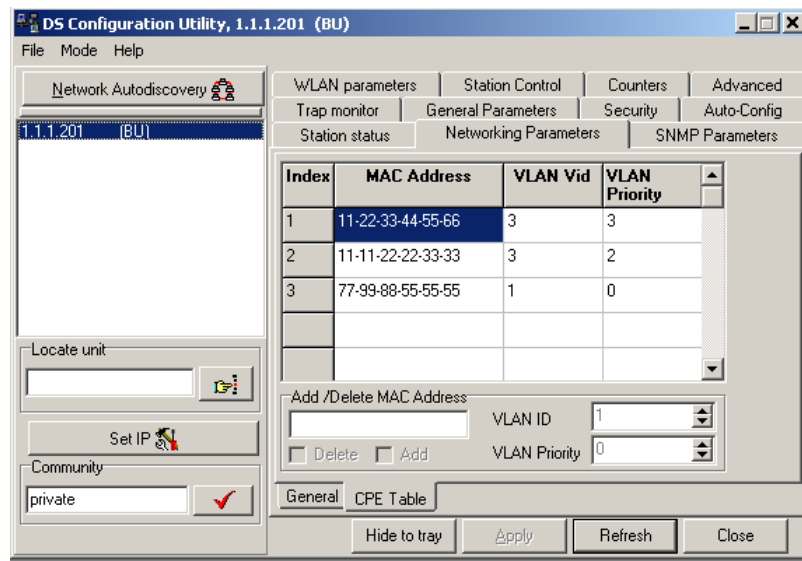
When this parameter is disabled, encapsulation will be the same as in SW version 4.1, providing compatibility with DS.11 RBs running SW version 4.1. In this case there is no compatibility with other devices that are 802.1Q compatible.

When this parameter is enabled, encapsulation will be in accordance with the 802.1Q standard. However, there will not be compatibility with DS.11 units running SW version 4.1.

The default is Disable.



## Networking Parameters-CPE Table Tab (BU only)



**Figure 3-5: Networking Parameters Tab (BU)**

The CPE Table tab enables defining the VLAN functionality for data frames for each of the RBs associated with the BU. The VLAN functionality of associated RBs that are not defined in the CPE Table is defined by the **VLAN ID Access** and **VLAN Priority Access** parameters in the General tab.

- ◆ **VLAN ID:** Defines the VLAN functionality for the specific RB. A value from 1 to 4094 defines Access port functionality. A value of 65535 (no VLAN) defines Hybrid port functionality.

Valid values: 1 to 4094 or 65535

- ◆ **VLAN Priority:** Defines the VLAN Priority field when a VLAN tag is added to a packet, according to the functionality described below

Valid values range from 0 to 7.

- ◆ **To add an RB to the table:** Enter the MAC Address in the **Add/Delete MAC Address** text box. Select the VLAN ID and VLAN Priority, check the **Add** check box and click **Apply**.
- ◆ **To remove an RB from the table:** Enter the MAC Address in the **Add/Delete MAC Address** text box. Check the **Delete** check box and click **Apply**.

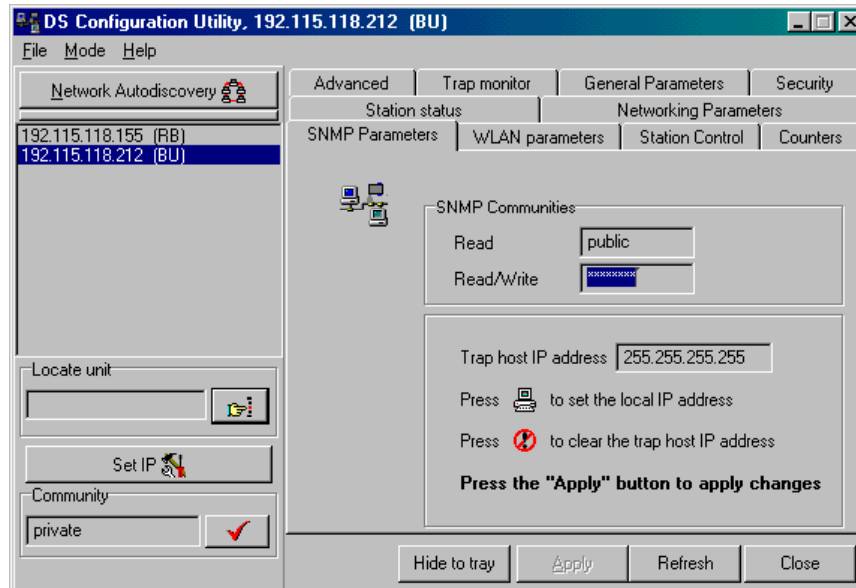
- ◆ **Filtering/Forwarding packets received on the BU's Ethernet port:**
  - ❖ The unit accepts from the Ethernet port only data frames with a destination on the Wireless port side (an associated RB).
  - ❖ If the destination RB is configured as Hybrid port (VLAN ID = 65535), both tagged and untagged data packets will be forwarded to the RB without any change.
  - ❖ If the destination RB is configured as Access port, only data packets with a matching VLAN ID will be forwarded. The VLAN tag is removed. All other data frames (with a non-matching VLAN ID or with no VLAN tag) are not accepted.
  
- ◆ **Filtering/Forwarding packets received on the BU's Wireless port:**
  - ❖ If the source RB is configured as Hybrid port, all data packet are forwarded to the bridging mechanism.
  - ❖ If the source RB is configured as Access port, data packets with a VLAN tag are dropped. Data packets without VLAN are forwarded to the bridging mechanism with the VLAN ID and VLAN Priority of the source RB.
  - ❖ Data packets that were forwarded to the bridging mechanism, whose destination is on the Ethernet port, are forwarded to the Ethernet port without any change.
  - ❖ Data packets that were forwarded to the bridging mechanism, whose destination is an RB on the wireless port side that is configured as Hybrid port, are forwarded to the Wireless port without any change.
  - ❖ A data packet that was forwarded to the bridging mechanism, whose destination is an RB on the wireless port side that is configured as Access port, is forwarded to the wireless port only if it is tagged with a VLAN ID that matches the VLAN ID configured for the destination RB. The VLAN tag is removed.

**NOTE:**

Because of the rules above it is possible that some broadcast packets will be transmitted twice on the wireless port: Once with a VLAN tag and another time without VLAN. This may happen when the broadcast packet has a VLAN tag, some of the destination RBs are configured as Hybrid ports and some of the destination RBs are configured as Access ports with a VLAN ID that matches the VLAN ID of the broadcast packet.



## SNMP Parameters Tab

The SNMP parameters tab allows you to define or edit the SNMP community strings and the SNMP-related parameters.



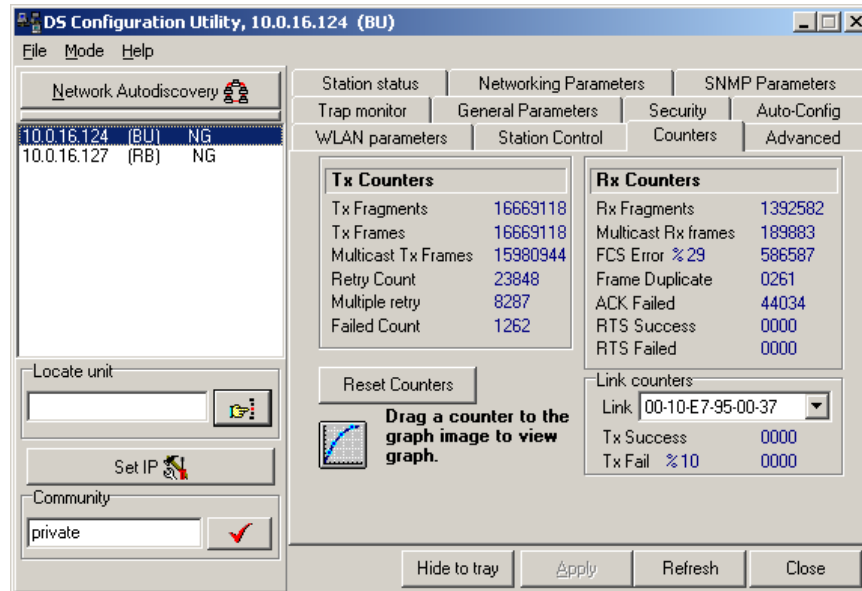
**Figure 3-6: SNMP Parameters Tab**

The *SNMP Parameters* tab is comprised of the following components:

- ◆ **Read:** The read-only community string of the unit. Default is public.
- ◆ **Read/Write:** The read/write community string of the unit. Default is private. This value is displayed as asterisks for security purposes.
- ◆ **Trap Host IP Address:** The IP address of the host to which SNMP traps are sent.
- ◆ Click  to apply the defined Trap Host IP address.
- ◆ Click  to disable the sending of traps (inserts a value of 255.255.255.255).

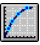
## Counters Tab

The Counters tab displays a series of statistics related to usage and performance.



**Figure 3-7: Counters Tab (BU Units)**

Using the *Counters* tabs, you can view a wide range of performance data at both sides of the link. For RB units, you can monitor the received signal strength through the RSSI (Received Signal Strength Indication) bar indicator at the bottom of the window. This RSSI bar can be used to optimize antenna alignment and improve link quality.

To obtain a graph that displays the counter values, select a counter and drag it to the  icon.

### ◆ Tx Counters

- ❖ **Tx Fragments:** The number of transmitted frames. The count includes data and management frames and the number of retransmissions of data frames (for example, if the same data frame is retransmitted ten times then the count will increase ten times).
- ❖ **Tx Frames:** The number of frames successfully transmitted to the wireless media. The count includes successful transmissions of data frames (excluding retransmissions), and the number of management frames.
- ❖ **Multicast Tx Frames:** The number of successfully transmitted multicast frames.
- ❖ **Retry Count:** The number of frames that were successfully transmitted after one or more retransmissions.
- ❖ **Multiple Retry:** This counter is incremented when a packet is successfully transmitted after more than one retransmission.

- ❖ **Failed Count:** This counter is incremented when a packet is not transmitted successfully due to the number of transmit attempts exceeding either the Short Retry Limit or Long Retry Limit.

- ◆ **Rx Counters**

- ❖ **Rx Fragments:** The number of frames received, including duplicate data frames.
- ❖ **Multicast Rx Frames:** The number of received multicast frames.
- ❖ **FCS Error:** The number of frames received with a CRC error.
- ❖ **FCS Error (%):** The percentage of frames received with a CRC error, calculated as  $100 * \text{FCS Error} / (\text{Rx Fragments} + \text{FCS Error})$ .
- ❖ **Frame Duplicate:** The number of duplicate frames that were received.
- ❖ **ACK Failed:** The number of time that an expected ACK was not received.
- ❖ **RTS Success:** The number of successful RTS transmissions, meaning the number of times that CTS was received as a response to RTS.
- ❖ **RTS Failed:** The number of unsuccessful RTS transmissions, meaning the number of times that CTS was not received after transmitting RTS.

- ◆ **Link Counters**

The Tx Success and Tx Fail counters displayed at the end of the counters list are link-specific; to activate these counters for a specific link, select the MAC address of the unit at the other end of the link.

- ❖ **Tx Success:** The number of data and management frames (except for beacons and multicasts) that were transmitted and acknowledged by the intended recipient.
- ❖ **Tx Fail:** The number of data and management frames (except for beacons and multicasts) that were transmitted without being acknowledged by the intended recipient.
- ❖ **Tx Fail (%)** – The percentage of data and management frames (except for beacons and multicasts) that were transmitted without being acknowledged by the intended recipient, calculated as follows:  
$$100 * \text{Tx Fail} / (\text{Tx Success} + \text{Tx Fail})$$

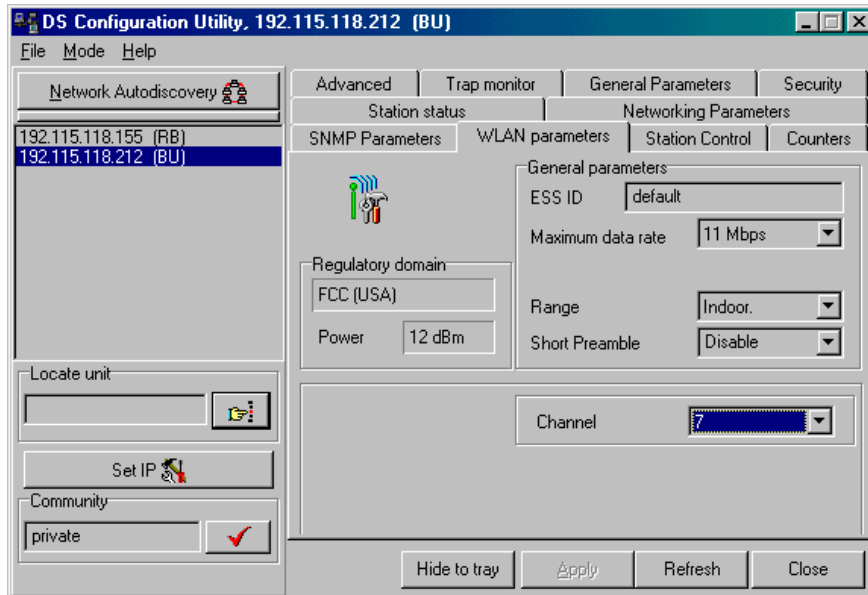
- ◆ **Resetting Counters**

You can reset the counters displayed in the Counters tab by clicking the **Reset Counters** button. All displayed values are reset to display zero.

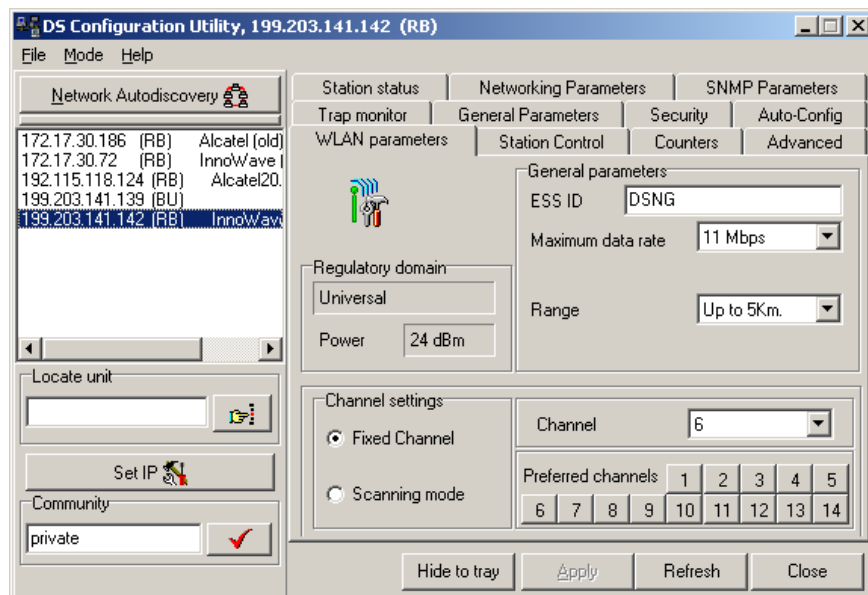
Note that this action does not reset the counters stored in the actual unit, but just resets the values displayed in the screen. Therefore, if you exit the Counters tab, after performing a reset and reopen it at a later time the counter values are displayed to reflect the values stored in the unit. To reset the counters in the unit, turn off the unit and then turn it back on.

## WLAN Parameters Tab

The WLAN parameters tab allows you to define or edit parameters related to the Wireless LAN environment in which the selected unit is operating. The window displayed varies depending on the type of unit selected.



**Figure 3-8: WLAN Parameters Tab (BU Units)**



**Figure 3-9: WLAN Parameters Tab (RB Units)**

The *WLAN Parameters* tab is comprised of the following components:

- ◆ **Regulatory Domain:** Displays the regulatory authorities in the relevant country of use (e.g., Canada, ETSI, FCC, Japan).
- ◆ **Power:** Displays the current output power level at the antenna port.

- ◆ **ESSID:** An ASCII string of up to 32 characters used to identify a WLAN and prevents the unintentional merging of two overlapping WLANs. It is essential that the ESSID is set to the same value in all Remote Bridges and Base Units that are meant to communicate with each other. The ESSID field is case-sensitive.
- ◆ **Maximum data rate:** By default, the unit adaptively selects the highest possible rate for transmission. Under certain conditions (for range/speed trade-off) you may decide not to use the higher rates. Possible values are 2, 5.5 or 11 Mbps. The default value is 11 Mbps.
- ◆ **Range:** The operative range of your WLAN or Wireless Link in the drop down list. This parameter affects the acknowledge delay time which needs to be increased in long links. The default value is up to 5km.
- ◆ **Short Preamble (BU only):** Two different preamble types are defined: the mandatory supported Long Preamble, which interoperates with the 1 Mbps and 2 Mbps specifications as described in IEEE 802.11 standard, and a Short Preamble, as described in IEEE 802.11b standard. The Short Preamble may be used to minimize overhead and thus increase the data throughput. However, the Short Preamble is supported only by the IEEE 802.11b standard (High-Rate), and not by the original IEEE 802.11 standard. That means that stations using Short Preamble cannot communicate with stations that support only the IEEE 802.11 standard. Thus, Short Preamble may be enabled only if all units support the IEEE 802.11b standard and can be configured to support Short Preamble. This parameter is available only in BU; the RB will identify the preamble type used by the BU and will use it as well.
- ◆ **Channel:** Channel selection varies, depending on the type of unit.

For BU-DS.11 units, select the channel that the unit will use by selecting a value (range: 1-13, depending on your regulatory domain) from the Channel drop down menu. Refer to Table 3-2 on page 3-16 for the list of corresponding frequencies.

For RB-DS.11 units, there are two channel setting options: if you select the *Fixed Channel* option by clicking the appropriate radio button, then the RB-DS.11 will search for the BU-DS.11 unit on the selected channel (from the Channel pull down field) and synchronize with it. The channel you select must match the channel selected in the BU-DS.11 unit at the other end of the link.

If you select the *Scanning Mode* option (by selecting the appropriate radio button), you can specify preferred channels by clicking one or more of the buttons displayed at the bottom of the window. In this mode the Channel pull down field is disabled. The RB-DS.11 will scan and search for one of the preferred channel frequencies you selected. If it does not find the BU-DS.11 on any of the preferred channels, it will continue to scan until it finds the BU-DS.11 on one of the channels permitted according to the regulatory domain.

Table 3-1 describes the channels used in each regulatory domain, the default channel, the maximum output power and the default output power.

Regulatory Domain	Lowest Channel	Highest Channel	Default Channel	Max. Output Power (dBm)	Default Output Power (dBm)
ETSI	1	13	7	14	4
FCC	1	11	6	24	24
TELEC	1	13	7	14	6
France	10	13	11	14	4
Canada	1	11	6	24	24

**Table 3-1: Regulatory Domains Specifications**

Channel	Frequency
1	2412 MHz
2	2417 MHz
3	2422 MHz
4	2427 MHz
5	2432 MHz
6	2437 MHz
7	2442 MHz
8	2447 MHz
9	2452 MHz
10	2457 MHz
11	2462 MHz
12	2467 MHz
13	2472 MHz

**Table 3-2: Frequency List**

**NOTE:**

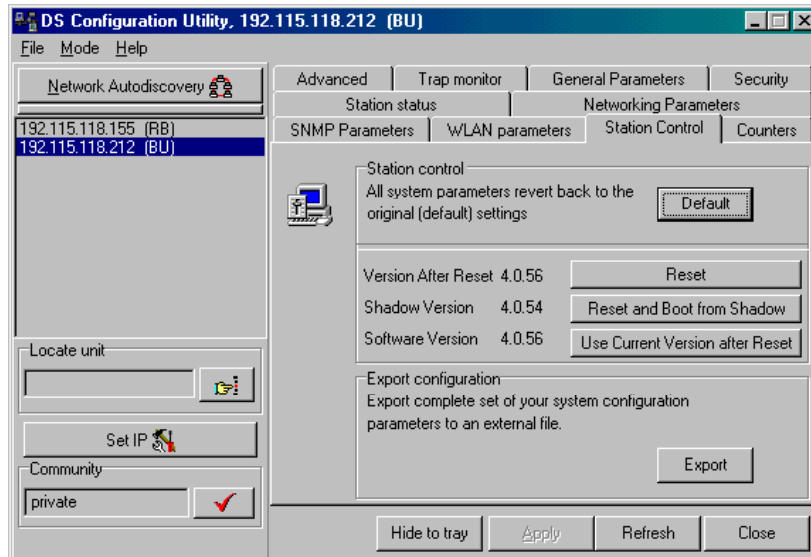


The frequencies listed in the table are at the center of the channel. Each channel occupies 22MHz, therefore each channel occupies -11MHz to +11 MHz from the frequency specified.



## Station Control Tab

The Station Control tab enables you to revert the unit parameters to their factory defaults, reset the unit and export the unit's configuration to a configuration file.



**Figure 3-10: The Station Control Tab**

The *Station Control* tab is comprised of the following components:

- ◆ **Station Control:** Click the **Default** button for all parameters to revert to the factory defaults.
- ◆ Click the **Export** button to export the current basic configuration of this unit to a file. A popup window is displayed prompting you to specify the name of the file. The created file can be used to save the configuration information or to send it to tech support as a reference for troubleshooting.
- ◆ **Reset Unit:** Click the **Reset** button to reset the unit and apply any changes made to the system parameters.

The flash memory can store two software versions. One version is called *Current* and the other is called *Shadow*. New software versions are loaded as the shadow version. You can select the shadow version as the new active version by selecting **Reset and Boot from Shadow Version**. However, after the next reset, the current version is re-activated. To continue using the currently active version after the next reset, select **Use Current Version After Reset**.

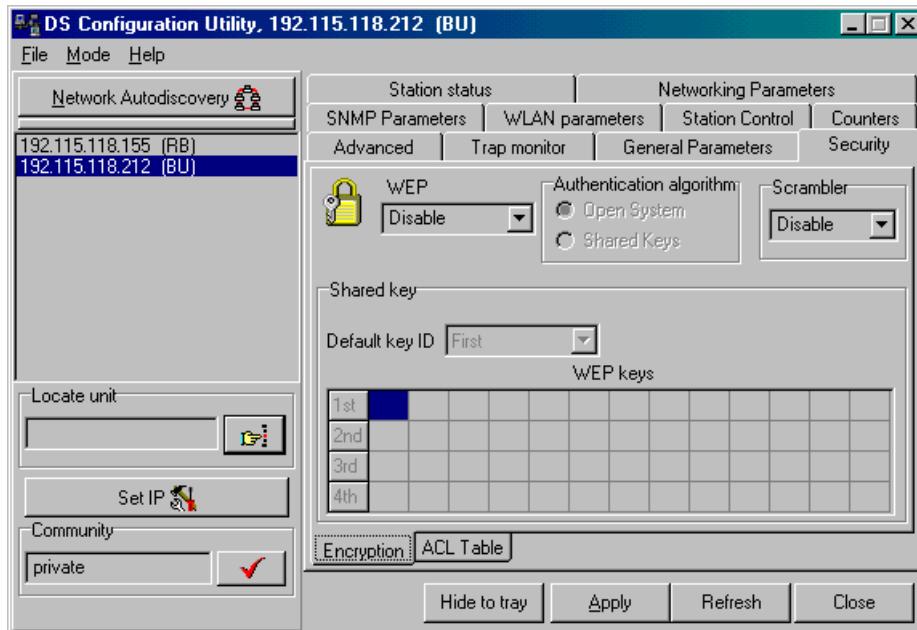
The parameters configured in the unit are not changed as a result of loading new software versions unless the new version includes additional parameters or additional changes in the list of parameters. New parameters are loaded with their default values.

- ◆ Click the **Reset and Boot from Shadow** button to reset the unit and boot from the shadow version.
- ◆ Click the **Use Current Version after Reset** button to use the current running version after the next reset.

## Security Tab

The Security tab enables you to define the encryption parameters. In the BU, an additional ACL (Access Control List) Table tab enables to define stations that are allowed to associate with the BU.

### Encryption Tab



**Figure 3-11: Encryption Tab**

This tab displays information regarding the unit's security configuration.

Wired Equivalent Privacy (WEP) is an encryption algorithm that protects authorized Wireless LAN users against eavesdropping and is implemented in BreezeNET DS.11 units. WEP is defined in the IEEE 802.11 standard. This encryption is applicable for both authentication and data. It supports key length of either 64 bits or 128 bits, including a 24 bit Initialization Vector.

DS.11 units can use one of the following authentication algorithms (as defined in the IEEE 802.11b standard).

- ◆ **Open System:** Any station in the WLAN can associate with any other unit and receive and transmit data freely (null authentication).
- ◆ **Shared Key:** Only units using a shared key encryption are allowed to associate with each other, provided they use the same WEP Key.

The default authentication algorithm is Open System.

If you select the Shared Key algorithm, set the following parameters:

- ◆ **WEP:** Enable access to the **Default Key ID** parameter and **WEP keys** table. The default is Disable.
- ◆ **Default Key ID** – Sets the key to be used for encryption/decryption. The default WEP key is the first key.
- ◆ **WEP keys** – Defines the encryption keys used. Define each key by clicking the appropriate WEP Key row and entering 10 (for 64 bits keys) or 26 (for 128 bits keys) hexadecimal characters for each of the four keys. After clicking Apply, the WEP Key values are displayed as zeros for security reasons.

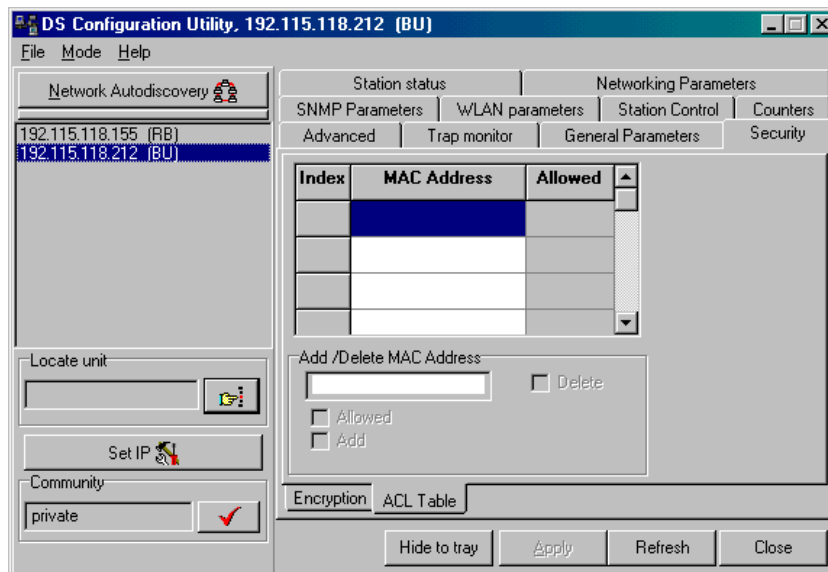
**NOTE:**

All units in the same cell should use the same key.



- ◆ **Scrambler:** The scrambling mechanism is another security measure that can be enabled or disabled independently of the WEP mechanism. It may also be used for simple to implement security without the administrative effort associated with distributing and managing keys. It is a differentiating element, disabling association of stations that do not have this feature. The default is Disable.

### ACL Table Tab (BU only)



**Figure 3-12: ACL Table Tab**

The Access Control List table is used to authorize/deny access to certain stations. The list can contain up to 128 MAC addresses.

- ◆ **To Add a MAC Address to the list** – Type the MAC address in the **Add/Delete MAC Address** edit box. The format should be XX-XX-XX-XX-XX-XX. The status of the entry is defined by checking the **Allowed** check box: check to allow association of the station with the defined address, or uncheck to disable association of the station. Check the **Add** check box to add the entry, and click the apply button. If the format of the entry is not valid the add operation shall not be carried out. Duplicate entries are discarded.
- ◆ **To Delete a MAC Address from the list** – Click the row containing the MAC address to be deleted and check the Delete check box. The entry will be removed from the list after clicking the Apply button.
- ◆ **To Change the Status** – The address must first be deleted from the list and then added again with the new status.

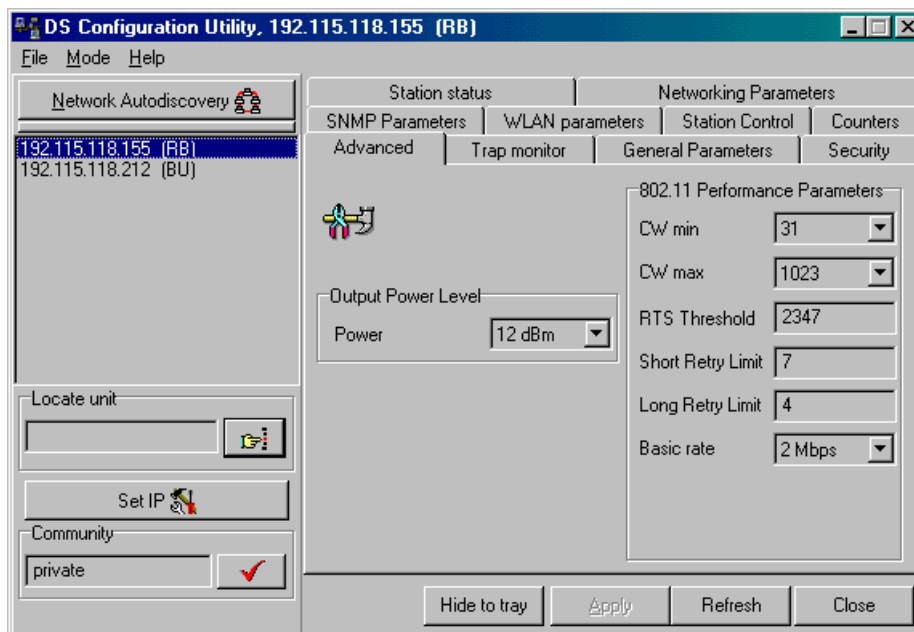
The broadcast address FF-FF-FF-FF-FF-FF can serve as a default entry to define the status of addresses that are not otherwise defined in the list.

If the table is empty, access is denied to all addresses.

The default is a list that includes only the FF-FF-FF-FF-FF-FF address, with an Allowed status, meaning that all stations can associate with the BU.

## Advanced Tab

The *Advanced* tab provides additional performance parameters.



**Figure 3-13: Advanced Tab**

The *Advanced* tab is comprised of the following components:

- ◆ **CW Min/Max:** The size of the Contention Window. The contention window back-off algorithm is a method used to resolve contention between different stations trying to access the medium. The valid range is from 7 to 1023. Defaults are 31 for CW Min and 1023 for CW Max.  
 Setting the CW min parameter to 7 should only be used for short-range point-to-point links.  
 Setting the CW min to 15 will improve performance for more uni-directional traffic loads.  
 CW min of 31 will minimize the PER for heavy bi-directional traffic loads.  
 CW Min of 63 should be used for large, long-range multi-point links.
- ◆ **RTS Threshold:** The minimum packet size required for an RTS (Request to Send) to be sent. For packets with a size below the RTS Threshold value, an RTS is not sent and the data packet is transmitted directly to the WLAN. The range is from 60 to 2347 bytes. The default is the maximum value, which practically disables the RTS/CTS mechanism.
- ◆ **Short Retry Limit:** The maximum number of transmission attempts for a frame that is shorter than or equal to the RTS Threshold. The range is from 1 to 255. The default value is 8.
- ◆ **Long Retry Limit:** The maximum number of transmission attempts for a frame that is longer than the RTS Threshold. The range is from 1 to 255. The default value is 4.

- ◆ **Basic Rate:** The maximum rate of multicast, broadcast and control frames transmissions. Multicast and broadcast transmissions are not acknowledged; therefore there is a chance that such transmissions will not be properly received without the possibility of using the acknowledgement mechanism for retransmission. Therefore, it is recommended to use a lower rate for transmission of broadcast, multicast and control frames, to increase the probability that they will be received without errors. Enter the data rate at which broadcast, multicast and control frames are transmitted. The valid values are 1, 2, 5.5 and 11 Mbps. The default value is 2 Mbps.

**NOTE:**

The Basic Rate parameter should be changed only if you are sure that all units in the cell can handle the defined rate. Use this parameter with caution, as it may bring the link down.

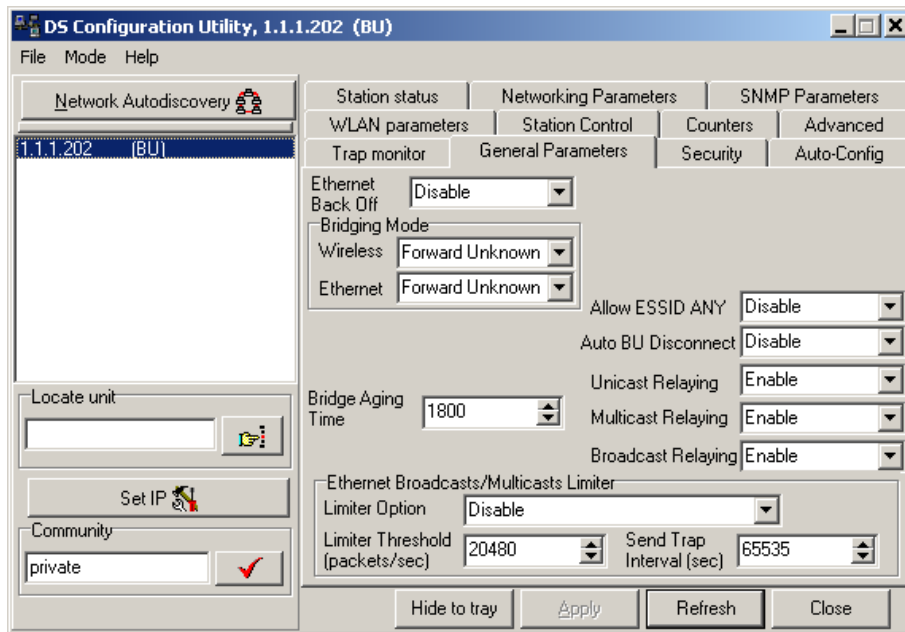
- ◆ **Power:** The transmit power level. The possible values are -4, -2, 4, 6, 12, 14, 20, 24 dBm.

**NOTE:**

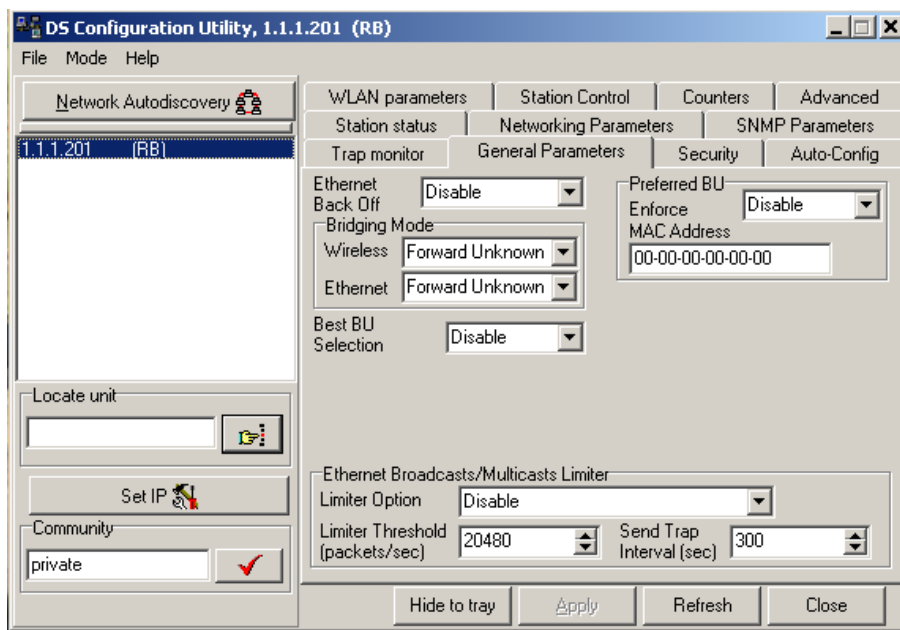
The Power setting should not exceed the maximum output allowed in the applicable regulatory domain according to Table 3-1 on page 3-16.

## General Parameters Tab

The *General Parameters* tab provides various bridging and association parameters.



**Figure 3-14: General Parameters Tab (BU)**



**Figure 3-15: General Parameters Tab (RB)**

- ◆ **Ethernet Back Off:** Disabling the Ethernet back-off algorithm may improve performance under certain conditions, such as when there is high traffic on the Ethernet LAN. The default is Disable.

- ◆ **Bridging Mode:** Control the flow of packets that are sent to unknown addresses.
  - ❖ **Wireless:** Select **Reject Unknown** to allow forwarding to the Ethernet port of frames received on the wireless port only if the destination address is known to the unit. All other frames will be dropped. Select **Forward Unknown** to forward to the Ethernet port all frames received on the wireless port, except for those sent to addresses that are recognized as being on the wireless port side. The default is Forward Unknown.
  - ❖ **Ethernet:** Select **Reject Unknown** to allow forwarding to the wireless port of frames received on the Ethernet port only if the destination address is known to the unit. All other frames will be dropped. Select **Forward Unknown** to forward to the wireless port all frames received on the Ethernet port, except for those sent to addresses that are recognized as being on the Ethernet port side. The default is Forward Unknown.
- ◆ **Unicast Relaying (BU only):** When unicast relaying is enabled, unicast messages originating on the wireless side can be transmitted back to the wireless link. When disabled, these packets are not sent back to the wireless link even if they are intended for addresses on the wireless port side. The default is Enable.
- ◆ **Multicast Relaying (BU only):** When multicast relaying is enabled, multicast messages originating on the wireless side are transmitted back to the wireless link as well as to the Ethernet. When disabled, these packets are transmitted only to the Ethernet and are not sent back to the wireless link. The default is Enable.
- ◆ **Broadcast Relaying (BU only):** When broadcast relaying is enabled, broadcast messages originating on the wireless side are transmitted back to the wireless link as well as to the Ethernet. When disabled, these packets are transmitted only to the Ethernet and are not sent back to the wireless link. The default is Enable.

**NOTE:**

To enable devices behind an RB to communicate with devices behind another RB in the same cell when communication between the RBs is blocked, the devices must be set to different subnets. Note that in this case, the BU passes packets from one RB destined to another RB to the router behind it. The router sends these packets back to the BU for transmission to the destination RB. Thus, the rule that no two RBs are communicating directly with each other prevails.

- ◆ **Allow ESSID ANY (BU only):** When enabled, the BU will enable association of any RB unit whose ESSID is configured to a null value (an empty string). The default is Disable.
- ◆ **Auto BU Disconnect (BU only):** When enabled, the BU will send a broadcast disassociation message upon identifying that its Ethernet link has been disconnected. Furthermore, the BU will not enable association with any RB as long as the Ethernet link is disconnected. The default is Disable.



- ◆ **Preferred BU (RB only) Parameters:** When the **Enforce** option is enabled, the RB will associate only with the BU whose MAC address is defined in the **MAC Address** edit box. The default for the Enforce option is Disable. The default Preferred BU MAC Address is 00-00-00-00-00-00 (none). If the Preferred BU MAC Address is the default one (none), then the Enforce option has no effect and unit will operate normally –it will either use the Best BU Selection algorithm (if enabled), or try to associate with the first BU it finds (if the Best BU Selection algorithm is disabled).
- ◆ **Best BU Selection (RB only):** When enabled, the RB performs a scanning cycle measuring the strength of the signal received from all BUs it finds. If the RB can connect to more than one BU, it will connect to the BU with the strongest signal. The default is Disable.
- ◆ **Bridge Aging Time (BU only):** Defines the time that an RB can remain non-active without being removed from the bridging table. If for the defined time there was no traffic to/from the RB, it will be de-authenticated. The range is from 10 to 1,000,000 seconds. The default value is 1800 seconds.
- ◆ **Ethernet Broadcast/Multicast Limiter parameters:** Enable to limit the number of broadcast and/or multicast packets that can be transmitted per second, in order to prevent the potential flooding of the wireless media by certain ARP attacks.

When the Limiter Option is enabled and the limit is reached the unit will send a trap. The trap will be sent periodically till the number of broadcast/multicast packets will be less than the maximum. The trap will inform the user how many packets were discarded in the last period.

The Ethernet Broadcast/Multicast Limiter parameters are:

- ❖ **Limiter Option:** Defines the limiter's functionality. The available options are:
  - Disable
  - Limit only Broadcasts
  - Limit Only Multicasts (Not Broadcasts)
  - Limit All Multicasts (Including Broadcasts)

The default selection is Disable.

- ❖ **Limiter Threshold (packets/sec):** Defines the maximum number of packets per second that will pass the limiter when it is enabled is enabled.

The range is from 0 to 20480 (packets/second).

The default is 20480.

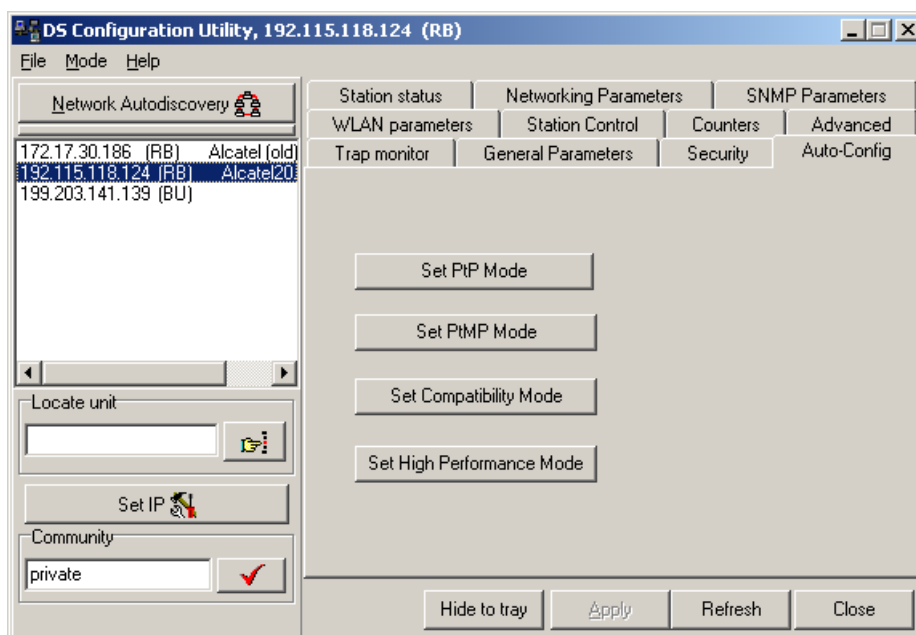
- ❖ **Send Trap Interval (sec):** The time interval between two successive traps when the number of transmitted broadcasts/multicasts exceeds the permitted threshold.

The range is from 0 to 65535 seconds. 0 is for disabling traps sending.

The default is 300 seconds.

## Auto-Config Tab

The *Auto-Config* tab enables quick configuration of various modes by setting predefined values for several parameters upon clicking the applicable button.



**Figure 3-16: Auto-Config Tab**

- ◆ **Set PtP Mode:** Click to set the following parameters to support optimized configuration for Point-to-Point operation:
  - ❖ Minimum Contention Window = 15
  - ❖ RTS Threshold = 2437
- ◆ **Set PtMP Mode:** Click to set the following parameters to support optimized configuration for Point-to-Multi-Point operation with 2-5 RBs:
  - ❖ Minimum Contention Window = 63
  - ❖ RTS Threshold = 2437 in BU, 60 in RB

- ◆ **Set Compatibility Mode:** Click to set the following parameters, which are unique to DS.11 version 4.0, to values that will ensure interoperability with DS.11 units running previous versions as well as with other IEEE 802.11 compliant devices:
  - ❖ Basic rate=2Mbps
  - ❖ Short preamble = Disable (BU)
  - ❖ Scrambling: Disable

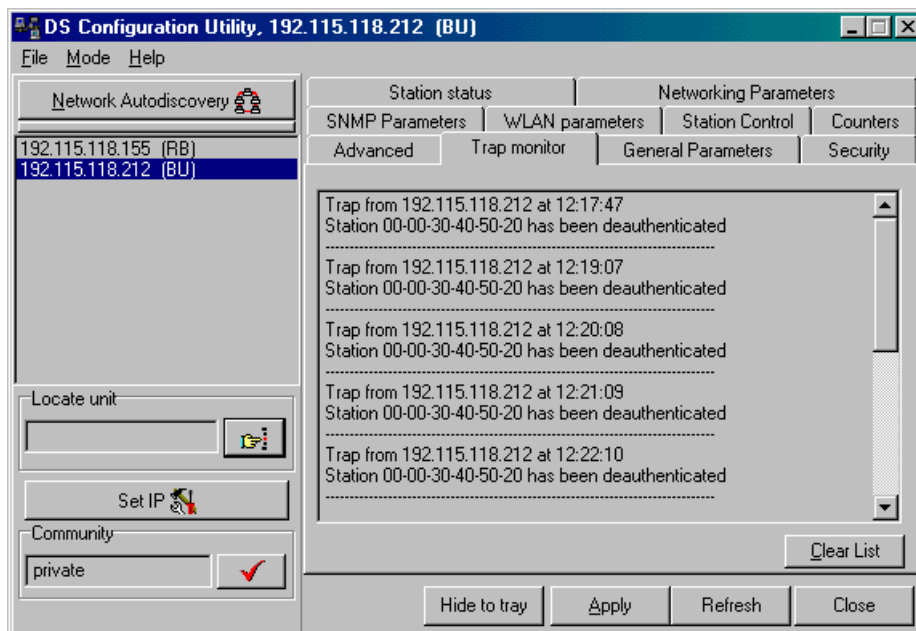
**NOTE:**

To ensure compatibility, verify that a 128-bit WEP Key is not used.

- ◆ **Set High Performance Mode:** The units can be configured to deliver high performance (high throughput) if the RSSI of all links is  $-80$  dBm or better, provide that all units run SW version 4.0. Upon clicking this button, the following parameters will be configured to support high performance:
  - ❖ Basic rate=11Mbps
  - ❖ Short Preamble = Enable (only in BU)

## Trap Monitor Tab

The *Trap Monitor* tab enables you to view messages received from the selected unit.



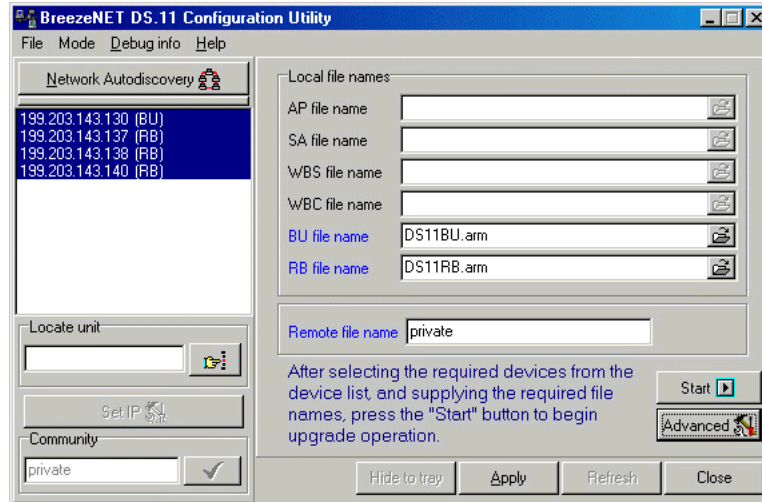
**Figure 3-17: Trap Monitor Tab**

When an event occurs, a trap is sent to the defined host address (the setting is made in the *SNMP Parameters* tab described on page 3-7). This window displays the recorded traps.

Click **Clear List** to clear the display area.

## Firmware Upgrade Mode

This mode enables the embedded software in managed units to be upgraded. When you select this mode from the *Options* menu, the following window is displayed.



**Figure 3-18: Firmware Upgrade Mode dialog box**

### NOTE:



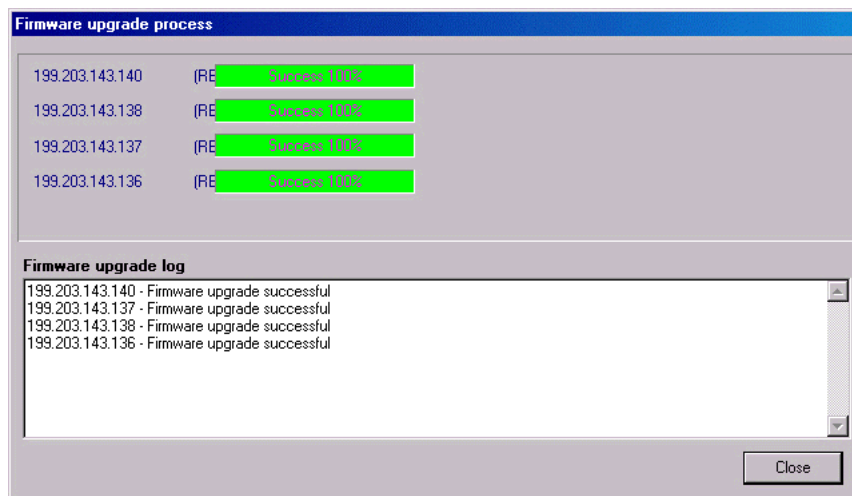
The Configuration utility does not resolve the topology of the cell. Therefore, firmware upgrades should be made from the central site where the BUs are located.

The list box on the left-hand side of the dialog box displays the managed units; it is sorted sequentially by BU-DS.11 followed by RB-DS.11 units.

### ➤ To upgrade the firmware:

1. Select the units that you wish to upgrade from the list box. Use Shift-click and/or Ctrl-click to select multiple units, or select multiple units by dragging with the mouse.
2. Specify the firmware file you wish to use in the *Local file name* fields; there are separate fields for files of different device type. The field text is displayed in blue when corresponding unit types are selected in the list box. The AP, SA, WBS and WBC file name fields are for other product families that are also supported by the Firmware Upgrade utility.
3. In the **Remote File Name** field, enter the Read/Write community string of the unit(s).
4. Click **Advanced** to change the settings of the TFTP session used in the upgrade download. The Advanced TFTP setup window is described in the following page.
5. Click **Start** to initiate the firmware upgrade; progress bars are displayed indicating the progress of the operation. If both BU-DS.11 and RB-DS.11 devices are selected, the program will upgrade RB-DS.11 units first.

At the end of the upgrade session, the following window is displayed indicating that the operation was successful.



**Figure 3-19: Firmware Upgrade Process**

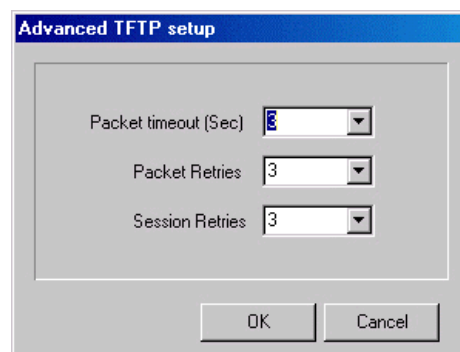
**NOTES:**



Do not disconnect any cables or try to stop the process before downloading is completed.  
All configured parameters are saved during the upgrade/download procedure.

## Advanced TFTP Settings

This section describes how to configure advanced parameters when using the firmware upgrade utility.



**Figure 3-20: Advanced TFTP Setup**

The Advanced TFTP Setup window enables you to tune the TFTP session parameters for a more efficient firmware upgrade, depending on your actual deployment.

- ◆ **Packet timeout:** Defines the time (in seconds) it takes for a packet to timeout. The range is from 1 to 30 seconds with a default of 3 seconds.
- ◆ **Packet Retries:** Defines the number of times that a packet will be sent after it timeouts in a TFTP session. The range is from 1 to 5 retries with a default of 3 retries.

- ◆ **Session Retries:** Defines the number of times a TFTP session will be repeated before the firmware upgrade operation is designated a failure. The range is 1-5 retries with a default of 3 retries.

## Multiple Unit Configuration Mode

This feature enables configuration parameters to be downloaded to multiple units simultaneously. When you select this option from the *Options* menu, all configuration windows are displayed as write-only. Irrelevant parameters are disabled. The multiple configuration mode does not include the General Parameters tab that is not supported by units running firmware version 3.0 or lower.

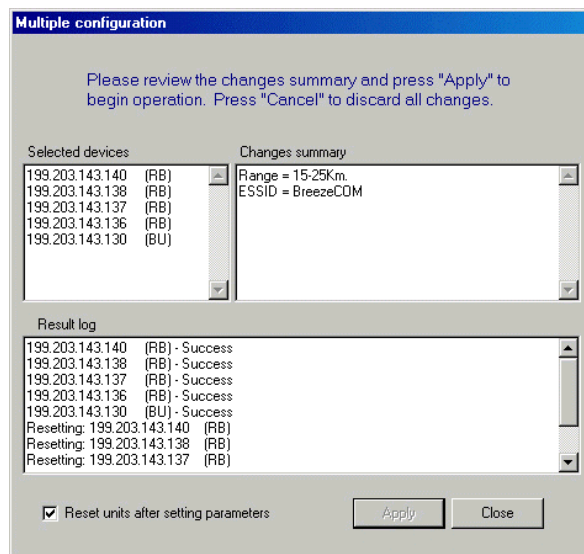
### NOTE:



The Configuration Utility does not resolve the topology of the cell. Therefore, multiple unit configuration operations should be done at the location where the BUs are located.

Select the units whose parameters should be modified from the list box on the left-hand side of the window. Use Shift-click and/or Ctrl-click to select multiple units.

Enter the configuration parameter values and click **Apply**. The following window is displayed.



**Figure 3-21: Multiple Configuration Mode**

This window lists the selected units and displays the configuration changes to be made during the multiple configuration session. Select the **Reset units after setting parameters** check box to reset all selected units.

### NOTE:



To ensure proper configuration changes and avoid SNMP Error messages, do not try to configure in BU units parameters that are applicable only to RB units, and vice versa.

A log of the multiple configuration session is displayed during and after the operation.

# Resetting the SNMP Community Strings

The SNMP Read/Write Community strings serve as an SNMP security feature to restrict management access to authorized persons only.

To reset the SNMP community strings, insert a paper clip or another suitable tool into the **Reset** button on the top panel of the unit and press the button it for than one second at least (see Figure 2-6 on page 2-13) while the unit is operating. After one more second the community strings are reset to the default values, **private** (Read/Write) and **public** (Read).

## Reloading Factory Default Settings

➤ **To reset the unit to the factory defaults:**

1. Disconnect the power cable from the indoor unit.
2. Insert a paper clip or another suitable tool into the Reset button on the top panel of the unit (see Figure 2-6 on page 2-13). Keep the **Reset** button pressed while inserting the power cable back into its socket. Keep the **Reset** button pressed for at least 3 seconds after reinserting the power cable. After one more second the unit will be reset to its factory default configuration.





## Chapter 4



### About This Chapter

This section provides guidelines regarding configuration of parameters that are important for ensuring optimal performance under various conditions.

# Configuring Critical Parameters

## One-Click Configuration

To facilitate fast configuration and avoid mistakes, optimization of several operation modes can be ensured by configuring predefined values of several parameters using the button in the Auto-Config tab. These modes are:

- ◆ Point-to-Point links
- ◆ Point-to-Multi-Point systems with 2 to 5 RBs.
- ◆ Compatibility mode, for interoperability with DS.11 running previous software versions and other IEEE 802.11 devices.
- ◆ High Performance mode to deliver optimal throughput when the RSSI of all links is  $-80$  dBm at least, and all units run SW version 4.0.

## Short Preamble

The use of a Short Preamble will reduce overheads and increase throughput by up to 30% in links that operate at 11 Mbps. Therefore, it is recommended to always use Short Preamble, except for situations where there is a need to communicate with other units that do not support the Short Preamble option.

## CW Minimum

The value of the Minimum Contention Window can significantly influence the performance of DS.11 links. A value that is too small may result in an excessive number of collisions, while a value that is too large will cause an inefficient use of the available bandwidth. In both cases the actual throughput will be lower than the achievable performance level.

The value selected for CW Min should be increased when:

- a. A larger number of RBs are served by the BU
- b. One or more RBs are located at relatively higher distances from the BU.
- c. Long Preamble is used (Short Preamble option is disabled).

When in doubt, it is better to choose a larger number for CW Min, as the negative effect of a value that is too high is smaller than that of a value that is too small.

Following are recommended values of CW Min for several scenarios:

- ◆ Setting the CW min parameter to 7 should only be used for short-range point-to-point links.

- ◆ Setting the CW min to 15 will improve performance for links with uni-directional traffic patterns.
- ◆ CW min of 31 will minimize the PER for heavy bi-directional traffic loads.
- ◆ CW Min of 63 should be used for long-range multi-point links with more than 3 RBs.

## RTS Threshold

The default value for the minimum packet size required for transmission of a Request To Send message is 2347 bytes. Using this value will practically disable the RTS/CTS mechanism, enabling high throughput in point-to-point links.

In point-to-multipoint applications with more than 3 RBs, a lower RTS Threshold (e.g. 512 or even 60 bytes) should be used to reduce the effect of collisions. This is especially critical in deployment with hidden stations, where one RB may not “hear” another RB. In deployments with hidden stations the RTS Threshold must be decreased to 60 bytes.

## Basic Rate

The default value for the Basic Rate is 2 Mbps. In very good quality links a higher basic rate could be used to increase throughput. As the quality of the link gets poorer, the basic rate should be decreased to a rate where there is a very high probability that all transmissions will be properly received.

Note that the basic rate cannot be increased above 2 Mbps if the cell includes legacy units that do not support higher basic rates.

## Range

A Range value that is too high may reduce throughput as it causes an inefficient use of the available capacity by allowing an acknowledgement time-out that is too high.

A Range value that is too low must be avoided as it may completely disable the ability for proper communication by not allowing a sufficient acknowledgement time-out.



## Chapter 5



### About This Chapter

The following troubleshooting guide provides answers to some of the more common problems that may occur when installing and using the BreezeNET DS.11. If problems not mentioned in this guide should arise, checking the Ethernet and WLAN counters may help. If the problem persists, please feel free to contact your local distributor or the Alvarion Technical Support Department.

## Troubleshooting Guide

Problem and Indication	Possible Cause	Corrective Action
No power to unit. Power LED is off.	Power cord is not properly connected.	Verify power cord is properly connected to the BreezeNET unit and to the power outlet.
Failure to establish wireless link. WIRELESS LINK LED is off.	<ol style="list-style-type: none"> <li>1. Power supply to units may be faulty</li> <li>2. The RB-DS.11 units may not have the same ESSID as the BU-DS.11.</li> </ol>	<ol style="list-style-type: none"> <li>1. Verify power to units.</li> <li>2. Verify that all units in the network have the same ESSID (ESSID must be identical in all units in the WLAN; the ESSID is case sensitive). Check that the units are on the same channel.</li> <li>3. Verify wireless link: Set BU-DS.11 and RB-DS.11 units side by side. Power on each unit and see if a wireless link is established (even "D" models without their external antennas should establish a link if placed side by side). If the units fail to associate, reset units to factory default values. The units should now establish a wireless link.</li> </ol>
Failure to establish wireless link ("D" models/external antennas)	<ol style="list-style-type: none"> <li>1. Power supply to units may be faulty.</li> <li>2. Cables may be improperly connected</li> <li>3. There may be some problem with antenna installation.</li> </ol>	<ol style="list-style-type: none"> <li>1. Verify power to units.</li> <li>2. Verify that all cables are connected securely.</li> <li>3. Refer to previous Section and verify wireless link between the units.</li> <li>4. Verify that the antenna(s) are properly installed (see relevant section in this manual): <ul style="list-style-type: none"> <li>➤ Check antenna alignment.</li> <li>➤ Verify that antenna polarization is the same at both ends.</li> <li>➤ Verify that the range matches specifications.</li> <li>➤ Verify line-of-sight/antenna alignment/antenna height.</li> </ul> </li> </ol>
Wireless link established, but there is no Ethernet activity (BU-DS.11 and RB-DS.11 units).	<ol style="list-style-type: none"> <li>1. Ethernet hub port or UTP cable is faulty.</li> <li>2. Ethernet port in unit is faulty.</li> <li>3. The RB-DS.11 is associated to a BU-DS.11 unit that is not connected correctly to the LAN.</li> </ol>	<ol style="list-style-type: none"> <li>1. Check that the LINK LED is lighted Green. If this is not the case, the port is inactive. Try another port on the hub or another UTP cable.</li> <li>2. Verify that Ethernet port in unit is working. Ping unit to verify Ethernet connection.</li> <li>3. Verify that you are using a cross-over UTP cable (pins 1 &amp; 3, 2 &amp; 6) if connected directly to a workstation, or a straight-through cable if connected to a hub.</li> <li>4. Check that the BU-DS.11 is correctly connected to the LAN.</li> </ol>

# Chapter 6



## Supported Standards

- ◆ Compliant with ETS 300 328 and ETS 300 826 (CE marked).
- ◆ IEEE 802.11b HR standard for Wireless LAN at 11 and 5.5 Mbps.
- ◆ IEEE 802.11b standard for 1 and 2 Mbps.

## Configuration and Management

<b>Management and Setup</b>	SNMP based Configuration Utility	
<b>Site Survey Tool</b>	Integrated into the configuration utility	
<b>SNMP Agents</b>	MIB II, DS.11 Private MIBs	
<b>Software Upgrade</b>	Simultaneous multiple units software upgrade using the configuration utility	
	Via TFTP	
<b>LED Indicators</b>	Indoor Unit	Outdoor Unit
	<ul style="list-style-type: none"> <li>➤ Power status</li> <li>➤ End-to-end Ethernet status</li> </ul>	<ul style="list-style-type: none"> <li>➤ Power Status</li> <li>➤ Ethernet Status / Traffic</li> <li>➤ Wireless Link Status / Traffic</li> <li>➤ 10-LED display bar: RSSI in the RB/ Load Gauge in BU</li> </ul>

## Radio

<b>Frequency Range</b>	2.4 - 2.4835 GHz		
<b>Radio Type</b>	Direct Sequence Spread Spectrum (DSSS)		
<b>Wireless LAN Standards</b>	Compliant with IEEE 802.11b HR		
<b>Selectable sub Channels</b>	FCC :            1-11 ETSI :            1-13 Japan TELEC : 1-13 France :         10-13		
<b>Output Power (at the antenna port)</b>	FCC:    -4, -2, 4, 6, 12, 14, 20, 24 (dBm) ETSI   -4, -2, 4, 6, 12, 14 (dBm) Japan TELEC    -4, -2, 4, 6, 12, 14 (dBm)		
<b>Sensitivity (BER 10E-6)</b>	<b>Data Rate</b>	<b>Sensitivity</b>	<b>Modulation</b>
	11 Mbit/s	-85 dBm	256 CCK
	5.5 Mbit/s	-88 dBm	16 CCK
	2 Mbit/s	-90 dBm	DQPSK
	1 Mbit/s	-93 dBm	DBPSK
<b>Processing Gain</b>	10.4 dB Nominal		
<b>Integrated Antenna Type</b>	Flat Panel 16 dBi, 20° Vertical /Horizontal		

## Range

<b>Europe/ ETSI (20 dBm EIRP)</b>	Up to 10 km
<b>US FCC</b>	Up to 25 km (15 miles)

## Security

<b>Authentication and Data Encryption</b>	64 bit and 128 bit RC4 WEP
<b>Scrambling</b>	Proprietary



### Outdoor Unit-to-Indoor Unit Communication

<b>Cable Type</b>	Cat 5 FTP 4x2x24 Double Jacket
<b>Maximum Cable length</b>	100 m (including the length of the Ethernet cable to the user equipment)

### Interfaces

<b>RF (antenna) connector in the outdoor unit (DS.11D models)</b>	N-Type jack, lightning protected
<b>Baseband (indoor-to-outdoor units)</b>	Outdoor units: Shielded RJ-45 with special water proof sealed cap
	Indoor units: Shielded RJ-45
<b>Ethernet</b>	Indoor units: 10BaseT, (RJ-45) with 2 embedded LEDs

### Electrical

<b>Power Consumption</b>	110VAC: 25W
	220VAC: 24W

### Mechanical Dimensions

<b>Outdoor Unit</b>	30.5 x 12 x 5 cm (12 x 4.7 x 2 inch)
<b>Indoor Unit</b>	16 x 9 x 6 cm (6.3 x 3.5 x 2.3 inch)

### Environmental

<b>Operating Temperature</b>	Indoor unit: 0°C to 40°C (32°F to 104°F)
	Outdoor unit: -40°C to 55°C (-40°F to 131°F)
<b>Operating Humidity</b>	5% to 95% non-condensing. Outdoor units are weather protected.

### Standards Compliance, General

<b>EMC</b>	EN 300-385, FCC Part 15
<b>Safety</b>	EN 60950, UL 1950
<b>Environmental</b>	ETS 300 019
<b>Radio</b>	ETSI ETS 300 328, FCC Part 15





## Appendix A

This appendix provides answers to the most commonly asked questions concerning the DS.11 system.

The appendix is divided into the following categories:

- ◆ **General**, page A-2.
- ◆ **Collocation**, page A-4.
- ◆ **Firmware**, page A-5.
- ◆ **Configuration**, page A-6.
- ◆ **Accessories**, page A-7.
- ◆ **Management**, page A-8.

## General

### ***Can the BU-DS.11/RB-DS.11D indoor unit be placed outdoors?***

It is not recommended. The BU-DS.11/RB-DS.11 indoor units are specified to operate between 0°C and 40°C and is not weather protected. Therefore, if it is necessary to install it outdoors, it should be placed in a protective cabinet.

### ***Do DS.11 units support 802.1Q VLAN?***

The DS.11 passes VLAN packets transparently within a VLAN network without taking any action on 802.1Q frames.

### ***What is the maximum number of networked PCs the BU-DS.11/RB-DS.11 can learn?***

The DS.11 units can learn up to 1024 network MAC addresses from the LAN side.

### ***Can the BU-DS.11/RB-DS.11 be used for multi-point as well as point-to-point links?***

The BU-DS.11 can support multiple RB-DS.11 units creating a point-to-multi-point network.

### ***How many RB-DS.11 units can one BU-DS.11 support?***

The maximum number of associations is 128.

### ***What is the practical limit to the number of RB-DS.11 units per BU-DS.11? And, what performance can I expect for a multi-point link?***

This depends upon expected average throughput at peak traffic hours. All clients would have the maximum throughput available for burst traffic. However, the overall average would depend on the utilization of the network. For example, in a heavily utilized network needing about 350Kbps to 500kbps average net throughput per site, 9 to 12 RB-DS.11's would be the limit. For a moderately utilized network needing about 175Kbps to 258Kbps average, 18 to 24 RB-DS.11's should be used, and for a lightly used network needing 32Kbps to 48Kbps average net throughput per site could use up to 128 RB-DS.11's.

### ***What is the range of the BU-DS.11/RB-DS.11 Bridges?***

A range of 25 km/15 miles (FCC) or 10 km/6 miles (ETSI) can be achieved using the UNI-24 antenna kit for a point-to-point link. Consult the antenna and accessory guide range tables for distances using other antennas.

### ***Does the BU-DS.11/RB-DS.11D support 802.1d spanning tree protocol?***

The BU-DS.11/RB-DS.11 does not support spanning tree.

***What is the normal PER (Packet Error Rate) for the BU-DS.11/RB-DS.11?***

The error rate will be about 4%-6% (transmitted fragments vs. retry count). This is typical when operating in a non-interference environment at maximum range for bi-directional traffic loads. If the traffic load is more uni-directional, then the PER will be lower.

***What is the best value for the CW min parameter?***

Setting the CW min parameter to 7 should only be used for short-range point-to-point links.

Setting the CW min to 15 will improve performance for more uni-directional traffic loads.

CW min of 31 will minimize the PER for heavy bi-directional traffic loads.

CW Min of 63 should be used for large, long-range multi-point links.

***Is the DS.11 compatible with other DS equipment from other vendors?***

The DS.11 is compatible with other IEEE 802.11b compliant devices from other vendors. However, in some cases it may not interoperate if the other manufacturer's implementation is not pure 802.11b. The BU-DS.11/RB-DS.11 can operate at 1 and 2 Mbps with legacy 802.11b DS equipment, provided the Short Preamble option is not enabled. It can operate at all rates with 802.11b High Rate DS equipment. BreezeNET DS.11 units are also fully WI-FI compliant. When the proprietary Scrambler differentiating option is activated, the units will not interoperate with equipment from other vendors.

***What is the typical latency of a BU-DS.11/RB-DS.11?***

The latency in a point-to-point link is about 2mS.

## Collocation and Interference

### ***How many BU-DS.11 or RB-DS.11 units can be collocated on the same building or tower?***

Up to 3 BU-DS.11 or RB-DS.11 units can be collocate on the same structure. Each unit is assigned to one of three non-overlapping channel (e.g. channels 1, 6, and 11 in FCC compliant installations).

### ***What is the antenna separation requirement for collocating BU-DS.11 or RB-DS.11 units on the same building or tower?***

The antennas should be mounted at least 60 cm (2 feet) apart when using UNI-16's, 4.5 m (15 feet) apart when using UNI-24's, and 21 m (75 feet) apart when using OMNI-8's. Greater separation will improve the link distance.

### ***Can a Frequency Hopping network operate in the same area as the BreezeNET DS.11?***

A Spread Spectrum Frequency Hopping network can operate in the same area as the DS.11 network. However, in a collocated network both products will suffer some a decrease in performance. The degree of performance loss depends on network utilization. For example, the higher the utilization of the Frequency Hopping network, the higher the level of impact on the Direct Sequence (DS.11) network, and vice versa. Typically, in light to moderately utilized networks, the performance loss is not significant.

### ***Can I use DS.11 Bridges to feed a Frequency Hopping distribution point?***

DS.11 can be used to feed a Frequency Hopping distribution point. Impact on performance of both systems can be minimized if the network is designed using cross-polarized directional antennas with as much spatial separation as possible. Contact technical support for more information.

### ***What if the DS.11 link experiences interference?***

If interference is affecting the DS.11 link, one of the other channels may be selected to operate away from the frequency of the interference. Also, physically re-locating the antennas may help.

# Firmware

***Can the BU-DS.11/RB-DS.11 firmware be upgraded?***

The firmware in the BU-DS.11/RB-DS.11 is stored in flash and can be upgraded using the built in Configuration Utility or the TFTP server.

***Can the BU-DS.11/RB-DS.11 flash be erased or the firmware changed by an unauthorized person?***

The flash is protected against unauthorized access. The TFTP server in the BU-DS.11/RB-DS.11 requires the SNMP write community name (password) to perform an upgrade.

***Can the firmware flash be corrupted when upgrading to a new version?***

If the TFTP file transfer is interrupted during a flash update the loaded firmware may be corrupted. The DS.11 has two flash memories: Current and Shadow. The new firmware is loaded as the shadow version. If the newly loaded firmware is corrupt, then the unit can continue operation using the primary (current) version.

***Can DS.11 firmware be downgraded?***

An earlier version of firmware can be loaded and used by the units.

***Can the previous version of firmware be kept?***

The previous version is maintained in the flash memory, and the user can switch between the two versions using the Flash Control commands.

# Configuration

## ***Can the regulatory domain (country) of a DS.11 unit be changed?***

The regulatory domain is factory set and cannot be changed.

## ***How can the DS.11 be configured or managed if the SNMP Community name has been forgotten?***

Press the reset button on the top panel with a paper clip. This will set the read and write Community names to public and private, respectively.

## ***How can the DS.11 unit be returned to factory default settings?***

There are two ways to return the unit to its factory default settings. One way is to use the Default button on the Station Control Tab in the DS.11 Configuration Utility. The other is to press and hold the reset button on the back of the unit while powering on the unit. Remember that all settings including IP addresses will be lost when setting the unit to its factory defaults.



# Accessories

***Can I use the same accessories on my BreezeNET DS.11 as on my BreezeNET PRO.11?***

Not all BreezeNET PRO.11 accessories are compatible with the DS.11. For example, the TPA (Transmit Power Amplifier), LNA (Low Noise Receive Amplifier) and AMP 250/500 (Bi-Directional Amplifier), which are all compatible with the BreezeNET PRO.11, cannot be used with the DS.11.

***Can the BreezeNET PI-CAT5 product be used with a DS.11 unit?***

The PI-CAT5 is specifically for the BreezeNET PRO.11 units only and cannot be used with DS.11 units. The voltage is not the same between the two product families.

# Management

## ***What management options are available for the DS.11?***

The BU-DS.11/RB-DS.11D comes with a graphical Configuration Utility that operates on any Windows based network ready PC. With this utility you can configure and monitor every DS.11 on your network. You can also use the DS.11 SNMP MIB on standard management platforms like SNMPc, and HP Openview.

## ***Does the DS.11 offer out-of-band management?***

The DS.11 does not offer out-of-band management. The DS.11 is managed in-band only using SNMP.

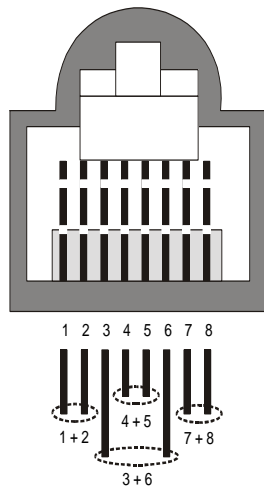
## ***What installation and site survey tools are available for BU-DS.11/RB-DS.11?***

The DS.11 comes with a Windows based manager utility. With this utility you can configure link parameters and monitor signal quality and RSSI (Received Signal Strength Indication). Optimizing antenna alignment is done using the signal quality and RSSI display. Any computer on the network can use this utility to manage the BU-DS.11/RB-DS.11.

## Appendix B



The following figure shows the wire pair connections required for the indoor-to-outdoor cable.



### Ethernet Connector Pin Assignments

The color codes used in cables supplied by Alvarion are:

Wire color	Pin
Blue	1
Blue/white	2
Orange	3
Orange/white	6
Brown	4
Brown/white	5
Green	7
Green/white	8

Use a crimp tool for RJ-45 connectors to prepare the wires. Insert them into the appropriate pins and use the crimp tool to crimp the connector. Make sure to do the following:

1. Remove as small a length as possible of the external jacket. Verify that the external jacket is well inside the service box to ensure good sealing.
2. Take back the shield drain wire before inserting the cable into the connector, to ensure a good connection with the connector's shield after crimping.

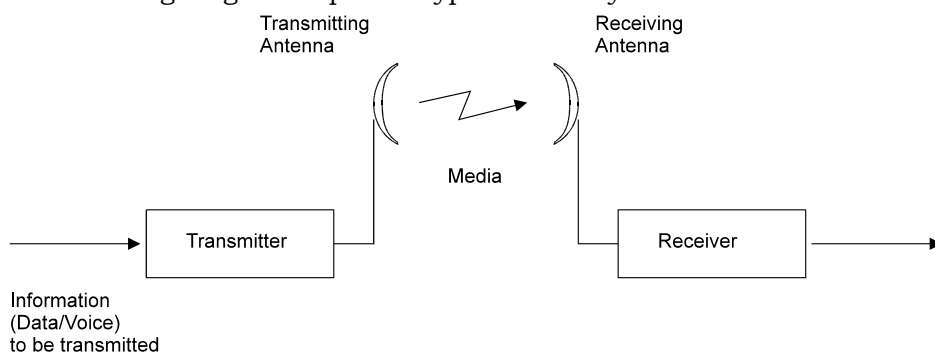


## Appendix C



This section explains and simplifies many of the terms relating to antennas and RF (Radio Frequency) systems.

The following diagram depicts a typical radio system:



**Figure C-1: A Typical Radio System**

A radio system transmits information to the transmitter. The information is transmitted through an antenna that converts the RF signal into an electromagnetic wave. The transmission medium for electromagnetic wave propagation is free space.

The electromagnetic wave is intercepted by the receiving antenna, which converts it back to an RF signal. Ideally, this RF signal is the same as that originally generated by the transmitter. The original information is then demodulated back to its original form.

## RF Terms and Definitions

### dB

The dB convention is an abbreviation for decibels. It shows the logarithmic relationship ( $10 \times \text{Log}(a/b)$ ) between two values.

### RF Power Level

RF power level at either the transmitter output or the receiver input is expressed in Watts. It can also be expressed in dBm. The relation between dBm and Watts can be expressed as follows:

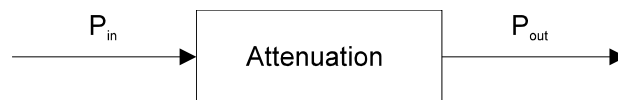
$$P_{dBm} = 10 \times \text{Log } P_{mw}$$

For example:      1 Watt = 1000 mW;  $P_{dBm} = 10 \times \text{Log } 1000 = 30 \text{ dBm}$   
                          100 mW;  $P_{dBm} = 10 \times \text{Log } 100 = 20 \text{ dBm}$

For link budget calculations, the dBm convention is more convenient than the Watts convention.

## Attenuation

Attenuation (fading) of an RF signal is defined as follows:



**Figure C-2: Attenuation of an RF signal**

$P_{in}$  is the incident power level before attenuation

$P_{out}$  is the output power level after attenuation

Attenuation is expressed in dB as follows:  $P_{dB} = -10 \times \text{Log } (P_{out}/P_{in})$

For example: If, due to attenuation, half the power is lost ( $P_{out}/P_{in} = 1/2$ ),  
 attenuation in dB is  $-10 \times \text{Log } (1/2) = 3_{dB}$

## Path Loss

Loss of power of an RF signal traveling (propagating) through space. It is expressed in dB. Path loss depends on:

- ◆ The distance between transmitting and receiving antennas
- ◆ Line of sight clearance between the receiving and transmitting antennas
- ◆ Antenna height

## Free Space Loss

Attenuation of the electromagnetic wave while propagating through space. This attenuation is calculated using the following formula:

$$\text{Free space loss} = 32.4 + 20 \times \text{Log}(F_{MHz}) + 20 \times \text{Log}(R_{Km})$$

F is the RF frequency expressed in MHz.

R is the distance between the transmitting and receiving antennas (expressed in Km).

At 2.4 GHz, this formula is:  $100 + 20 \times \text{Log}(R_{Km})$

## Antenna Characteristics

### Isotropic Antenna

A hypothetical antenna having equal radiation intensity in all directions. Used as a zero dB gain reference in directivity calculation (gain).

### Antenna Gain

A measure of directivity. It is defined as the ratio of the radiation intensity in a given direction to the radiation intensity that would be obtained if the power accepted by the antenna was radiated equally in all directions (isotropically). Antenna gain is expressed in dBi.

### Radiation Pattern

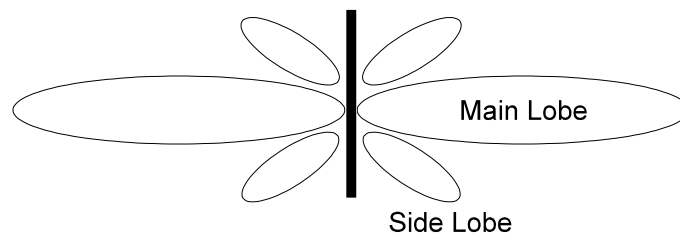
A graphical representation in either polar or rectangular coordinates of the spatial energy distribution of an antenna.

### Side Lobes

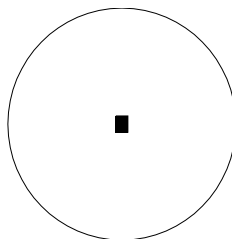
The radiation lobes in any direction other than that of the main lobe.

### Omni-directional Antenna

Radiates and receives equally in all directions in azimuth. The following diagram shows the radiation pattern of an omni-directional antenna with its side lobes in polar form.



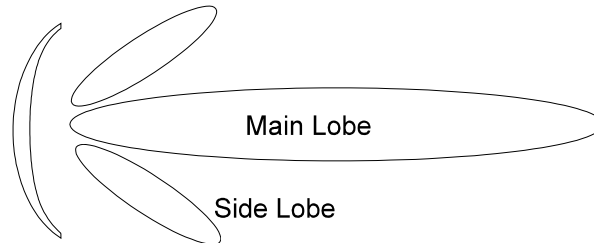
**Figure C-3: Radiation Pattern of an Omni Antenna - Side View**



**Figure C-4: Radiation Pattern of an Omni Antenna - Top View**

## Directional Antenna

Radiates and receives most of the signal power in one direction. The following diagram shows the radiation pattern of a directional antenna with its side lobes in polar form:



**Figure C-5: Radiation Pattern of Directional Antenna**

## Antenna Beamwidth

The directiveness of a directional antenna. Defined as the angle between two half-power (-3 dB) points on either side of the main lobe of radiation.

## System Characteristics

### Receiver Sensitivity

The minimum RF signal power level required at the input of a receiver for certain performance (e.g. BER).

### EIRP (Effective Isotropic Radiated Power)

The antenna transmitted power. Equal to the transmitted output power minus cable loss plus the transmitting antenna gain.

$P_{out}$  - Output power transmitted in dBm

$Ct$  - Transmitter cable attenuation in dB

$Gt$  - Transmitting antenna gain in dBi

$Gr$  - Receiving antenna gain in dBi

$Pl$  - Path loss in dB

$Cr$  - Receiver cable attenuation in dB

$Si$  - Received power level at receiver input in dBm

$Ps$  - Receiver sensitivity in dBm

$$Si = P_{out} - Ct + Gt - Pl + Gr - Cr$$

$$EIRP = P_{out} - Ct + Gt$$



## Link Parameters

Frequency: 2.4 GHz

$P_{\text{out}} = 4 \text{ dBm}$  (2.5 mW)

Tx and Rx cable length ( $C_t$  and  $C_r$ ) = 10 m. cable type RG214 (0.6 dB/meter)

Tx and Rx antenna gain ( $G_t$  and  $G_r$ ) = 18 dBi

Distance between sites = 3 Km

Receiver sensitivity ( $P_s$ ) = -84 dBm

## Link Budget Calculation

$EIRP = P_{\text{out}} - C_t + G_t = 16 \text{ dBm}$

$PI = 32.4 + 20 \times \text{Log}(FMHz) + 20 \times \text{Log}(Rkm) \cong 110 \text{ dB}$

$Si = EIRP - PI + G_r - C_r = -82 \text{ dBm}$

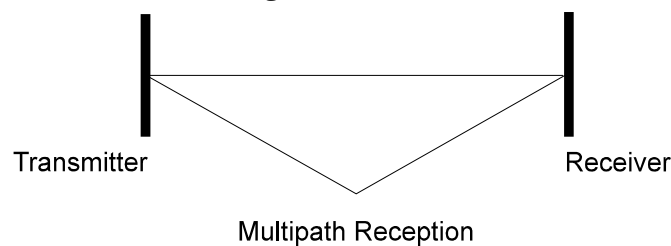
In conclusion, the received signal power is above the sensitivity threshold, so the link should work. The problem is that there is only a 2 dB difference between received signal power and sensitivity. Normally, a higher margin is desirable due to fluctuation in received power as a result of signal fading.

## Signal Fading

Fading of the RF signal is caused by several factors:

### ◆ Multipath

The transmitted signal arrives at the receiver from different directions, with different path lengths, attenuation and delays. The summed signal at the receiver may result in an attenuated signal.



**Figure C-6: Multipath Reception**

### ◆ Bad Line of Sight

An optical line of sight exists if an imaginary straight line can connect the antennas on either side of the link.

Radio wave clear line of sight exists if a certain area around the optical line of sight (Fresnel zone) is clear of obstacles. A bad line of sight exists if the first Fresnel zone is obscured.

- ◆ **Distance**
- ◆ **Weather conditions (rain, wind, etc.)**

At high rain intensity (150 mm/hr), the fading of an RF signal at 2.4 GHz may reach a maximum of 0.02 dB/Km. Wind may cause fading due to antenna motion.

- ◆ **Interference**

Interference may be caused by another system on the same frequency range, external noise, or some other co-located system.

## The Line of Sight Concept

An optical line of sight exists if an imaginary straight line can be drawn connecting the antennas on either side of the link.

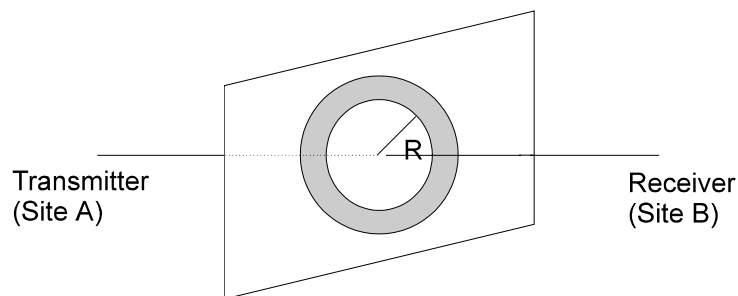
### Clear Line of Sight

A clear line of sight exists when no physical objects obstruct viewing one antenna from the location of the other antenna.

A radio wave clear line of sight exists if a defined area around the optical line of sight (Fresnel Zone) is clear of obstacles.

### Fresnel Zone

The Fresnel zone is the area of a circle around the line of sight. The Fresnel Zone is defined as follows:



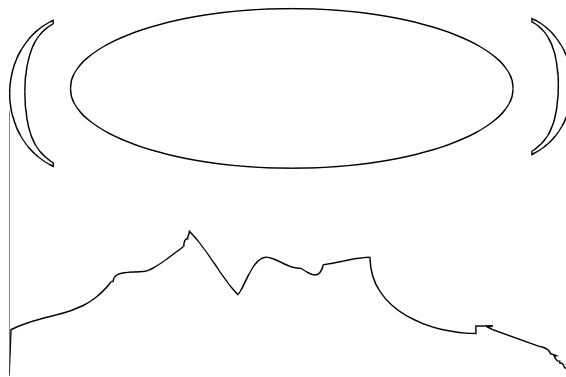
**Figure C-7: Fresnel Zone**

$$R = \frac{1}{2} \sqrt{\lambda \times D}$$

R: radius of the first Fresnel zone.

$\lambda$ : wavelength (expressed in feet).

D: distance between sites (expressed in Km).



**Figure C-8: Fresnel Zone Clear of Obstacles**

When at least 80% of the first Fresnel Zone is clear of obstacles, propagation loss is equivalent to that of free space.

