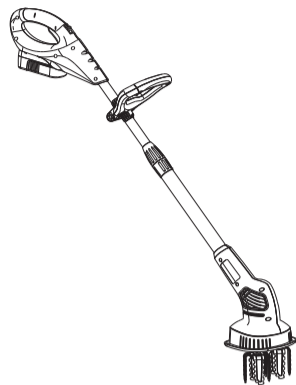




18V GARDEN CULTIVATOR

INSTRUCTION MANUAL

Catalog No. GC818



Thank you for choosing Black & Decker!
Go to www.BlackandDecker.com/NewOwner
to register your new product.

**PLEASE READ BEFORE RETURNING THIS
PRODUCT FOR ANY REASON:**

If you have a question or experience a problem with your Black & Decker purchase, go to
[HTTP://WWW.BLACKANDDECKER.COM/INSTANTANSWERS](http://WWW.BLACKANDDECKER.COM/INSTANTANSWERS)
for instant answers 24 hours a day.

If you can't find the answer or do not have access to the internet,
call 1-800-544-6986 from 8 a.m. to 5 p.m. EST Mon. -- Fri. to speak with an agent.
Please have the catalog number available when you call.

KEY INFORMATION YOU SHOULD KNOW:

- Inspect and thoroughly clean your cultivator at the start of each use.
- The blades on this tool are not intended to be sharp. Do not sharpen.
- Make sure area is clear of other persons or pets prior to starting operation.
- Make sure work area is clear of underground wires and pipes.

SAVE THIS MANUAL FOR FUTURE REFERENCE.

VEA EL ESPAÑOL EN LA CONTRAPORTADA.

INSTRUCTIVO DE OPERACIÓN, CENTROS DE SERVICIO Y PÓLIZA DE GARANTÍA.

ADVERTENCIA: LEA ESTE INSTRUCTIVO ANTES DE USAR EL PRODUCTO.

Cat. No. GC818 Form # 90560837

FEBRUARY 2010

Copyright © 2010 Black & Decker

Printed in China

⚠ GENERAL SAFETY FOR ALL TOOLS

⚠ WARNING: TO REDUCE RISK OF INJURY:

- Before any use, be sure everyone using this tool reads and understands all safety instructions and other information contained in this manual.
- Save these instructions and review frequently prior to use and in instructing others.

SAFETY GUIDELINES - DEFINITIONS

It is important for you to read and understand this manual.

The information it contains relates to protecting YOUR SAFETY and PREVENTING PROBLEMS. The symbols below are used to help you recognize this information.

⚠ **DANGER:** Indicates an imminently hazardous situation which, if not avoided, will result in death or serious injury.

⚠ **WARNING:** Indicates a potentially hazardous situation which, if not avoided, could result in death or serious injury.

⚠ **CAUTION:** Indicates a potentially hazardous situation which, if not avoided, may result in minor or moderate injury.

CAUTION: Used without the safety alert symbol indicates potentially hazardous situation which, if not avoided, may result in property damage.

READ ALL INSTRUCTIONS.

⚠ **WARNING:** When using electric gardening appliances, basic safety precautions should always be followed to reduce risk of fire, electric shock, and personal injury:

- **ALWAYS WEAR EYE PROTECTION** – Wear safety glasses or goggles at all times when this unit is in use. Safety glasses are available at extra cost at your local Black & Decker Service Center or authorized service facility. Always use face or dust mask if operation is dusty.
- **DRESS PROPERLY** – Do not wear loose clothing or jewelry. They can be caught in moving parts. Rubber gloves and substantial rubber soled footwear are recommended when working outdoors. Don't operate the unit when barefoot or wearing open sandals. Wear long pants to protect your legs. Wear protective hair covering to contain long hair.
- **DO NOT** allow children to operate this unit.
- **MAKE SURE** that other persons and pets are at least 20 ft. away.
- **AVOID ACCIDENTALLY STARTING** – Don't carry unit with finger on trigger.
- **DON'T OVERREACH** – Keep proper footing and balance at all times.
- **AVOID DANGEROUS ENVIRONMENTAL CONDITIONS** – Do not use electric units in damp or wet locations. Don't use the unit in the rain.
- **DO NOT OPERATE** unit in gaseous or explosive atmospheres. Motors in these units normally spark, and the sparks might ignite fumes.
- **STORE IDLE APPLIANCES INDOORS** – When not in use, units should be stored indoors in a dry locked-up place out of reach of children.
- **STAY ALERT** – Watch what you are doing. Use common sense. Do not operate unit when you are tired or under the influence of alcohol, drugs, or medications.
- **KEEP HANDS AND FEET AWAY FROM WORK AREA.**
- **DO NOT CHARGE APPLIANCE IN RAIN OR IN WET LOCATIONS.**
- **THIS POWER UNIT** is intended to be correctly orientated in a vertical or floor mount position.

⚠ ADDITIONAL WARNINGS FOR CULTIVATORS

- **DO NOT** use unit if switch does not turn it on or off. A unit that cannot be controlled with the switch is dangerous and must be repaired.
- **DISCONNECT** battery pack from unit before making any adjustments, changing accessories, or storing the unit. Such preventative safety measures reduce the risk of starting the unit accidentally.
- **DO NOT FORCE THE APPLIANCE** – It will do the job better and with less likelihood of a risk of injury at the rate for which it was designed. Clutch will activate if overpowered.

• **USE THE RIGHT APPLIANCE** – Do not use this unit for any job except that for which it is intended.

• **Some dust created by this product contains chemicals known to the State of California to cause cancer, birth defects or other reproductive harm. Some examples of these chemicals are:**

- compounds in fertilizers
- compounds in insecticides, herbicides and pesticides
- arsenic and chromium from chemically treated lumber

To reduce your exposure to these chemicals, wear approved safety equipment such as dust masks that are specially designed to filter out microscopic particles.

• **DAMAGE TO APPLIANCE** – If you strike or become entangled with a foreign object, stop tool immediately, check for damage and have any damage repaired before further operation is attempted. Do not operate with a broken tine.

• **MAINTAIN APPLIANCES WITH CARE** – Keep cutting edge clean for best performance and to reduce the risk of injury. Follow instructions for lubricating and changing accessories. Keep handles dry, clean, and free from oil and grease.

• **CHECK DAMAGED PARTS** – Before further use of the unit, a shroud or other part that is damaged should be carefully checked to determine that it will operate properly and perform its intended function. Check for alignment of moving parts, binding of moving parts, breakage of parts, mounting, and any other condition that may affect its operation. Any part that is damaged should be properly repaired or replaced by an authorized service center unless otherwise indicated elsewhere in this manual.

• **KEEP SHROUD IN PLACE AND IN WORKING ORDER.**

• **BEFORE STARTING GARDEN CULTIVATOR**, check the soil and remove any large stones, twigs and so forth. Keep checking to make sure the area is clear as you work.

• **IF YOU ENCOUNTER AN OBSTRUCTION** during work despite all of these precautions, turn off the Cultivator. Remove battery prior to attempting to remove the obstruction.

• **Keep tine area clean.**

⚠ **WARNING: Oscillating tines. Keep at a safe distance.**

⚠ BATTERY RELATED WARNINGS

• **A BATTERY OPERATED UNIT** with integral batteries or a separate battery pack must be recharged only with the specified charger for the battery. A charger that may be suitable for one type of battery may create a risk of fire when used with another battery.

• **USE BATTERY OPERATED UNIT ONLY** with specifically designated battery pack. Use of any other batteries may create a risk of fire.

• **DO NOT USE OR CHARGE** battery in rain.

• **USE ONLY** the supplied charger.

• **REMOVE BATTERY** before servicing, cleaning or removing material from the cultivator. Remove battery from your cultivator and carry by the front handle when not in use.

• **EXERCISE CARE** in handling batteries in order not to short the battery with conducting materials such as rings, bracelets and keys. The battery or conductor may overheat and cause burns.

• **DO NOT OPEN OR MUTILATE** the batteries. Released electrolyte is corrosive and may cause damage to the eyes or skin. It may be toxic if swallowed.

This device complies with Part 15 of the FCC Rules. Operation is subject to the following two conditions: (1) this device may not cause harmful interference, and (2) this device must accept any interference received, including interference that may cause undesired operation.

NOTE: This equipment has been tested and found to comply with the limits for Class B digital device, pursuant to part 15 of the FCC Rules. These limits are designed to provide reasonable protection against harmful interference in a residential installation. This equipment generates, uses and can radiate radio frequency energy and, if not installed and used in accordance with the instructions, may cause harmful interference to radio communications. However, there is no guarantee that interference will not occur in a particular installation. If this equipment does cause harmful interference to radio or television reception, which can be determined by turning the equipment off and on, the user is encouraged to try to correct the interference by one or more of the following measures:

- Reorient or relocate the receiving antenna.
- Increase the separation between the equipment and the receiver.
- Connect the equipment into an outlet on a circuit different from that to which the receiver is connected.
- Consult the dealer or an experienced radio/TV technician for help.

SAVE THESE INSTRUCTIONS

The label on your tool may include the following symbols.

Vvolts

Aamperes

Hzhertz

W.....watts

minminutes

~alternating current

—direct current

n_ono load speed

□Class II Construction

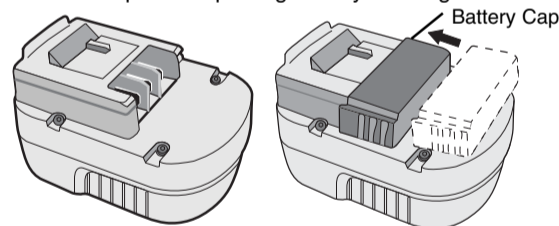
⊕earthing terminal

⚠safety alert symbol

.../minrevolutions or reciprocations per minute

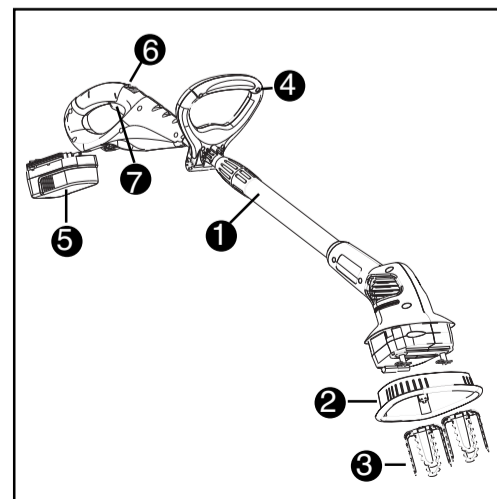
Battery Cap Information

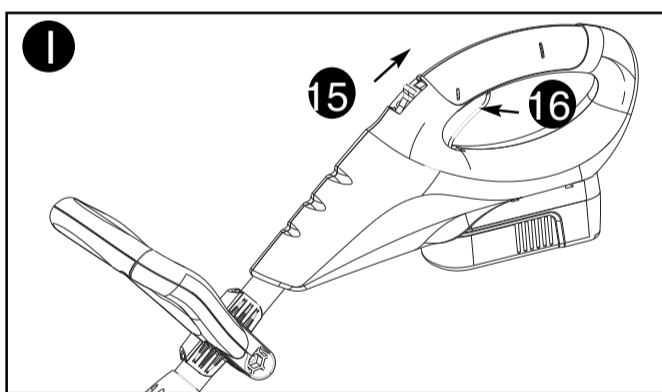
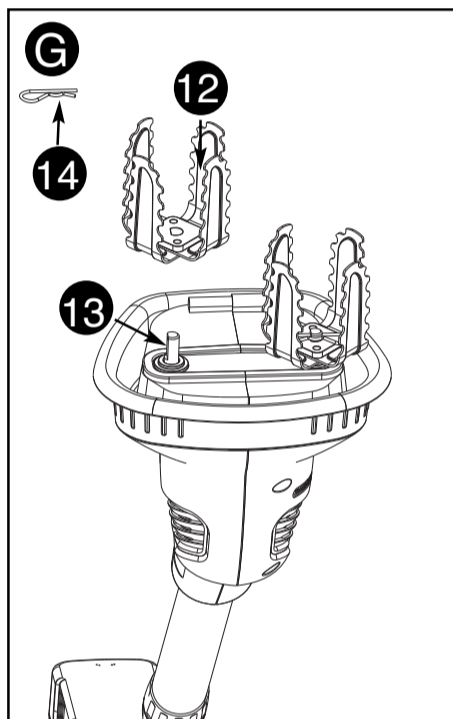
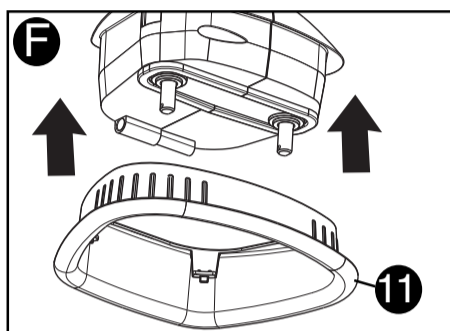
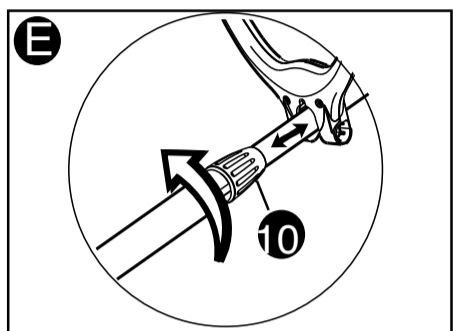
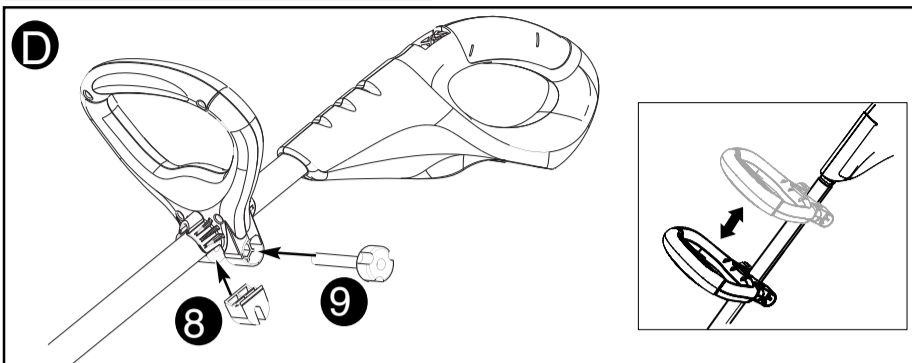
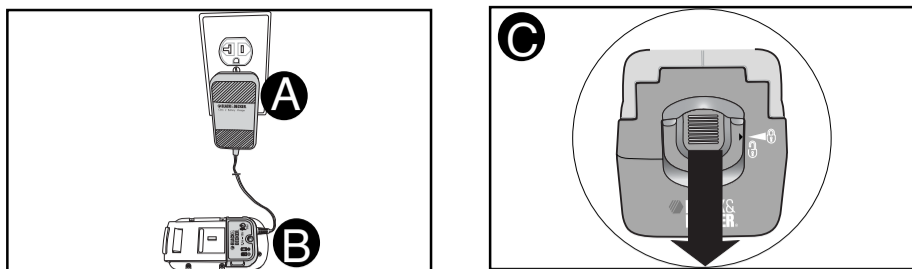
Battery storage and carrying caps are provided for use whenever the battery is out of the tool or charger. Remove cap before placing battery in charger or tool.



⚠ **WARNING: Fire hazard. Do not store or carry battery so that metal objects can contact exposed battery terminals.** For example, do not place battery in aprons, pockets, tool boxes, product kit boxes, drawers, etc., with loose nails, screws, keys, etc. **Transporting batteries can possibly cause fires if the battery terminals inadvertently come in contact with conductive materials such as keys, coins, hand tools and the like.** The US Department of Transportation Hazardous Material Regulations (HMR) actually prohibit transporting batteries in commerce or on airplanes (i.e., packed in suitcases and carry-on luggage) UNLESS they are properly protected from short circuits. So when transporting individual batteries, make sure that the battery terminals are protected and well insulated from materials that could contact them and cause a short circuit.

1. GC818 Cultivator
Cultivateur modèle GC818
Cultivador GC818
 2. Shroud
Flasque
Cubierta
 3. Tine assembly (x 2)
(2) Jeux de dents
Conjunto de dientes (x 2)
 4. Auxiliary handle
Poignée auxiliaire
Mango auxiliar
 5. Battery pack
Bloc-piles
Paquete de baterías
 6. Lock-off button
Bouton de verrouillage
Botón de bloqueo
 7. Switch trigger
Détonne
Interruptor disparador
- Charger (not shown)
Chargeur (non illustré)
Cargador (no se muestra)





SAFETY WARNINGS AND INSTRUCTIONS

CHARGING

- This manual contains important safety and operating instructions.
- Before using battery charger, read all instructions and cautionary markings on (1) battery charger, (2) battery pack, and (3) product using battery pack.
- CAUTION:** To reduce the risk of injury, charge only Black & Decker Battery Packs. Other types of batteries may burst causing personal injury and damage.
- Do not expose charger to rain or snow.
- Use of an attachment not recommended or sold by Black & Decker may result in a risk of fire, electric shock, or injury to persons.
- To reduce risk of damage to electric plug and cord, pull by plug rather than cord when disconnecting charger.
- Make sure cord is located so that it will not be stepped on, tripped over, or otherwise subjected to damage or stress.
- An extension cord should not be used unless absolutely necessary. Use of improper extension cord could result in a risk of fire, electric shock or electrocution.
 - Two-wire cords can be used with 2-wire or 3-wire extension cords. Only round jacketed extension cords should be used, and we recommend that they be listed by Underwriters Laboratories (U.L.). If the extension is to be used outside, the cord must be suitable for outdoor use. Any cord marked for outdoor use can also be used for indoor work. The letters "W" or "WA" on the cord jacket indicate that the cord is suitable for outdoor use.
 - An extension cord must have adequate wire size (AWG or American Wire Gauge) for safety, and to prevent loss of power and overheating. The smaller the gauge number of the wire, the greater the capacity of the cable; that is, 16 gauge has more capacity than 18 gauge. When using more than one extension to make up the total length, be sure each extension contains at least the minimum wire size.

CHART FOR MINIMUM WIRE SIZE (AWG) OF EXTENSION CORDS

NAMEPLATE RATING AMPS - 0 - 10.0

Total Extension Cord Length (ft)	0-25 (0-7,6m)	26-50 (7,6-15,2m)	51-100 (15,2-30,4m)	101-150 (30,4-45,7m)
Wire Gauge	18	16	16	14

- Use only the supplied charger when charging your unit. The use of any other charger could damage the battery pack or create a hazardous condition.
- Use only one charger when charging.
- Do not attempt to open the charger or the unit. There are no customer serviceable parts inside. Return to any authorized Black & Decker service center.
- DO NOT incinerate battery packs even if they are severely damaged or completely worn out.
- Do not incinerate the batteries. They can explode in a fire. A small leakage of liquid from the battery cells may occur under extreme usage, charging or temperature conditions. This does not indicate a failure. However, if the outer seal is broken and this leakage gets on your skin:
 - Wash quickly with soap and water.
 - Neutralize with a mild acid such as lemon juice or vinegar.
 - If the battery liquid gets in your eyes, flush them with clean water for a minimum of 10 minutes and seek immediate medical attention. **MEDICAL NOTE:** The liquid is a 25-35% solution of potassium hydroxide.

IMPORTANT CHARGING SAFETY INSTRUCTIONS

CHARGING PROCEDURE

THE BATTERY PACK IS NOT FULLY CHARGED AT THE FACTORY. CHARGE BATTERY PACK FOR AT LEAST 9 HOURS BEFORE USE.

The charger is designed to use standard household 120 volt 60 Hz power.

- Plug the charger into any standard 120 Volt 60 Hz electrical outlet (figure A).
- Slide the charger onto the battery pack as shown in figure B and let the battery pack charge initially for **9 hours**. After the initial charge, under normal usage, your battery pack should be fully charged in **6 to 9 hours**.
 - During charging the green LED will appear.
 - When charging is complete the green LED will go off.
- Unplug charger, and remove the battery pack. **Place the battery pack into the tool until it "clicks" into place.**

NOTE: To remove the battery pack, press down on the release button on the back of the battery pack and slide out (figure C).

IMPORTANT CHARGING NOTES

- After normal usage, your battery pack should be fully charged in **6 to 9 hours**. If the battery pack is run-down completely, it may take up to **9 hours** to become fully charged. Your battery pack was sent from the factory in an uncharged condition. Before attempting to use it, it must be charged for at least **9 hours**.
- DO NOT charge the battery pack in an air temperature below +40°F (+4.5°C), or above +105°F (+40.5°C). This is important and will prevent serious damage to the battery pack. Longest life and best performance can be obtained if battery pack is charged when air temperature is about 75°F (24°C).
- While charging, the charger may hum and become warm to touch. This is a normal condition and does not indicate a problem.
- If the battery pack does not charge properly—(1) Check current at receptacle by plugging in a lamp or other appliance. (2) Check to see if receptacle is connected to a light switch which turns power off when you turn off the lights. (3) Move charger and battery pack to a surrounding air temperature of 40°F (+4.5°C) to 105°F (+40.5°C). (4) If the receptacle and temperature are OK, and you do not get proper charging, take or send the battery pack and charger to your local Black & Decker service center. See Tools Electric in yellow pages.
- The battery pack should be recharged when it fails to produce sufficient power on jobs which were easily done previously. DO NOT CONTINUE using unit with its battery pack in a depleted condition.
- The battery pack will reach optimum performance after being cycled 5 times during normal usage. There is no need to run the battery pack down completely before recharging. Normal usage is the best method of discharging and recharging the battery pack.

STORAGE RECOMMENDATION

- Store tool:
 - with the battery pack removed and on the charger.
 - in a place that is cool and dry away from direct sunlight and excess heat or cold.
 - out of the reach of children.
- For prolonged storage such as over the winter, the battery pack should be fully charged and then removed from the charger. It should be charged again just prior to use.

LEAVING THE BATTERY PACK IN THE CHARGER

It is OK to leave battery packs on charge for long periods of time. The charger has a maintenance mode which gives the battery pack enough charge to stay "topped off". If however, the tool is not expected to be needed for more than 30 days, unplug the charger and store battery pack in a cool, dry location. NOTE: A battery pack will lose its charge when kept off of the charger. If the battery pack has not been kept on maintenance charge, it may need to be recharged before use. A battery pack may also lose its charge if left in a charger that is not plugged into an appropriate AC source.

ASSEMBLY

AUXILIARY HANDLE ASSEMBLY (FIG. D)

- Position handle on upper tube to desired height.
- Ensure locking block (8) is aligned with groove in tube.
- Assemble and tighten bolt (9).

POLE EXTENSION (FIG. E)

- Loosen collar (10).
- Extend poles to desired length.
- Tighten collar.

SHROUD ASSEMBLY (FIG. F)

- Position the open center of the shroud (11) over the lower housing from the bottom (near output shaft).
 - Align snap tabs to housing. Apply even pressure to shroud until snap sound is heard.
 - Ensure all snap features are engaged correctly.
- WARNING: NEVER OPERATE TOOL WITHOUT SHROUD FIRMLY IN PLACE.**

TINE ASSEMBLY (FIG. G)

- WARNING: Release trigger, allow tines to come to a complete stop, and remove battery.**

- Place tine (12) on shaft (13), making sure flat in hole of tine is aligned with flat on shaft. Be sure to push tine completely onto shaft.
- Insert straight end of pin (14) into shaft hole. Push in pin completely until the looped end bottoms out against the shaft.
- Repeat for other tine. For tine removal reverse the process.

OPERATION (FIG. H,I)

- WARNING: Make sure that other persons and pets are at least 20 feet away.**

- Hold tool as shown in Figure H.
 - Lift unit out of soil.
 - Slide lock off button (15) (Fig. I).
 - Pull switch trigger (16). (Fig. I)
- For the first cultivating each season, it is best to move slowly because dirt is packed down. Subsequent cultivating will be completed more rapidly. Do not attempt to cultivate when the soil is wet - for electrical safety and to prevent clogging of the tines. If you must cultivate under conditions that cause the tines to become clogged, release trigger, wait for tines to come to complete stop! REMOVE BATTERY! Remove clogged material with a stick or screwdriver. To continue to operate the tool in a clogged condition will seriously overload the motor.

NOTE: This unit is equipped with a built in clutching mechanism used to prevent permanent damage to the unit due to an obstruction in the tines or overloaded working conditions. If the clutch is engaged, the unit will make a loud clicking sound. This noise will persist until the obstruction or overload condition is removed.

Remove battery prior to attempting to remove obstructions from tines. The clutch mechanism is not adjustable by the user.

CAUTION: Do not attempt to unclog the tines by dropping or tapping the tool on the ground. This can damage the unit.

STORAGE

Remove and clean any debris from the outside of the cultivator and inside of shroud before storage. See **MAINTENANCE** section.

CAUTION: DO NOT HANG ON THE SWITCH TRIGGER

Note: Do not store the tool on or adjacent to fertilizers or chemicals. Such storage can cause rapid corrosion.

PREVENTING CORROSION

WARNING: Wear proper gloves and eye protection when cleaning tool.

Fertilizers and other garden chemicals contain agents that greatly accelerate the corrosion of metals. If you use the tool in areas where fertilizers or chemicals have been used, the tool should be cleaned immediately afterwards.

Wipe all exposed parts with a damp cloth. You may lubricate only metal parts with a light petroleum based oil.

TROUBLESHOOTING

Problem	Possible Cause	Possible Solution
• Unit will not start.	• Battery not installed properly. • Battery not charged.	• Check battery installation. • Check battery charging requirements. • Move lock-off button from on position.
• Battery will not charge.	• Lock-off button actuated. • Battery not inserted into charger. • Charger not plugged in. • Surrounding air temperature too hot or too cold.	• Insert battery into charger until green LED appears. • Plug charger into a working outlet. Refer to "Important Charging Notes" for more details. • Move charger and tool to a surrounding air temperature of above 40 degree F (4.5°C) or below 105 degree F (+40.5°C).

For assistance with your product, visit our website www.blackanddecker.com for the location of the service center nearest you or call the BLACK & DECKER help line at **1-800-544-6986**.

When cleaning, DO NOT immerse tool in water or spray it with a hose.

MAINTENANCE

Use only mild soap and damp cloth to clean the tool. Never let any liquid get inside the tool; never immerse any part of the tool into a liquid

IMPORTANT: To assure product SAFETY and RELIABILITY, repairs, maintenance and adjustment (other than those listed in this manual) should be performed by authorized service centers or other qualified service organizations, always using identical replacement parts.

THE RBRC™ SEAL

The RBRC™ (Rechargeable Battery Recycling Corporation) Seal on the nickel-cadmium battery (or battery pack) indicates that the costs to recycle the battery (or battery pack) at the end of its useful life have already been paid by Black & Decker. In some areas, it is illegal to place spent nickel-cadmium batteries in the trash or municipal solid waste stream and the RBRC program provides an environmentally conscious alternative.

RBRC in cooperation with Black & Decker and other battery users, has established programs in the United States and Canada to facilitate the collection of spent nickel-cadmium batteries. Help protect our environment and conserve natural resources by returning the spent nickel-cadmium battery to an authorized Black & Decker service center or to your local retailer for recycling. You may also contact your local recycling center for information on where to drop off the spent battery, or call **1-800-8-BATTERY**.



ACCESSORIES

Replacement tines (RT400) for use with your tool are available from your local dealer or authorized service center. If you need assistance regarding accessories, please call: **1-800-544-6986**.

WARNING: The use of any accessory not recommended for use with this tool could be hazardous.

SERVICE INFORMATION

All Black & Decker Service Centers are staffed with trained personnel to provide customers with efficient and reliable power tool service. Whether you need technical advice, repair, or genuine factory replacement parts, contact the Black & Decker location nearest you. To find your local service location, refer to the yellow page directory under "Tools—Electric" or call: **1-800-544-6986** or visit www.blackanddecker.com

FULL TWO-YEAR HOME USE WARRANTY

Black & Decker (U.S.) Inc. warrants this product for two years against any defects in material or workmanship. The defective product will be replaced or repaired at no charge in either of two ways.

The first, which will result in exchanges only, is to return the product to the retailer from whom it was purchased (provided that the store is a participating retailer). Returns should be made within the time period of the retailer's policy for exchanges (usually 30 to 90 days after the sale). Proof of purchase may be required. Please check with the retailer for their specific return policy regarding returns that are beyond the time set for exchanges.

The second option is to take or send the product (prepaid) to a Black & Decker owned or authorized Service Center for repair or replacement at our option. Proof of purchase may be required. Black & Decker owned and authorized Service Centers are listed under "Tools-Electric" in the yellow pages of the phone directory.

This warranty does not apply to accessories. This warranty gives you specific legal rights and you may have other rights which vary from state to state or province to province. Should you have any questions, contact the manager of your nearest Black & Decker Service Center. This product is not intended for commercial use.

FREE WARNING LABEL REPLACEMENT: If your warning labels become illegible or are missing, call **1-800-544-6986** for a free replacement.

LATIN AMERICA: This warranty does not apply to products sold in Latin America. For products sold in Latin America, check country specific warranty information contained in the packaging, call the local company or see the website for warranty information.

Imported by
Black & Decker (U.S.)
Inc.,
701 E. Joppa Rd.
Towson, MD 21286
U.S.A.



See 'Tools-
Electric'
– Yellow Pages –
for Service &
Sales



MODE D'EMPLOI

CULTIVATEUR DE JARDIN DE 18 V

Numéro de catalogue : GC818

Merci d'avoir choisi Black & Decker!
Consulter le site Web
www.BlackandDecker.com/NewOwner
pour enregistrer votre nouveau produit.

À LIRE AVANT DE RETOURNER CE PRODUIT POUR QUELQUE RAISON QUE CE SOIT :

Si des questions ou des problèmes surgissent après l'achat d'un produit Black & Decker, consulter le site Web

[HTTP://WWW.BLACKANDDECKER.COM/INSTANTANSWERS](http://WWW.BLACKANDDECKER.COM/INSTANTANSWERS)

pour obtenir des réponses instantanément 24 heures par jour.

Si la réponse est introuvable ou en l'absence d'accès à Internet, composer le 1-800-544-6986 de 8 h à 17 h HNE, du lundi au vendredi, pour parler avec un agent.

Prière d'avoir le numéro de catalogue sous la main lors de l'appel.

VOICI DES RENSEIGNEMENTS IMPORTANTS QU'IL VOUS FAUT CONNAÎTRE :

- Inspecter et nettoyer soigneusement le cultivateur au début de chaque utilisation.
- Les lames de l'outil ne sont pas affûtées et sont prévues pour une utilisation telle quelle. N'affilez pas.
- Avant le démarrage de l'outil, s'assurer que la zone soit dégagée, exempte de personnes ou d'animaux.
- S'assurer que la zone de travail est exempte de câbles et de conduites souterrains.

CONSERVER CE MANUEL POUR UN USAGE ULTÉRIEUR.

LIGNES DIRECTRICES EN MATIÈRE DE SÉCURITÉ - DÉFINITIONS

Il est important que vous lisiez et compreniez ce mode d'emploi. Les informations qu'il contient concernent VOTRE SÉCURITÉ et visent à ÉVITER TOUT PROBLÈME. Les symboles ci-dessous servent à vous aider à reconnaître cette information.

DANGER : Indique une situation dangereuse imminente qui, si elle n'est pas évitée, causera la mort ou des graves blessures.

AVERTISSEMENT : Indique une situation potentiellement dangereuse qui, si elle n'est pas évitée, pourrait causer la mort ou de graves blessures.

MISE EN GARDE : Indique une situation potentiellement dangereuse qui, si elle n'est pas évitée, pourrait causer des blessures mineures ou modérées.

MISE EN GARDE : Utilisé sans le symbole d'alerte à la sécurité, indique une situation potentiellement dangereuse qui, si elle n'est pas évitée, peut résulter en des dommages à la propriété.

AVERTISSEMENT : LISEZ TOUTES LES INSTRUCTIONS.

Lors de l'utilisation d'outils de jardinage, des précautions de base en matière de sécurité doivent toujours être suivies afin de réduire le risque d'incendie, de choc électrique et de blessure corporelle :

- **TOUJOURS PORTER UNE PROTECTION OCULAIRE** – Porter des lunettes de sécurité ou des lunettes protectrices en tout temps lors de l'utilisation de l'appareil. Des lunettes protectrices sont vendues séparément au centre de réparation Black & Decker ou à un centre de réparation autorisé. Utiliser toujours un masque facial ou anti-poussière si l'opération génère de la poussière.
- **S'HABILLER DE MANIÈRE APPROPRIÉE** – Ne pas porter de vêtements amples ni de bijoux. Ils peuvent s'enchevêtrer dans les pièces mobiles. Des gants en caoutchouc et des chaussures adéquates à semelles en caoutchouc sont recommandés lors de travaux à l'extérieur. Ne pas utiliser l'appareil si vous êtes pieds nus ou si vous portez des sandales ouvertes. Porter des pantalons longs pour protéger vos jambes. Se couvrir les cheveux s'ils sont longs.
- **NE PAS** permettre l'utilisation de l'appareil par des enfants.
- S'assurer que les personnes et animaux sont éloignés d'au moins 6,1 m (20 pi).
- **ÉVITER LES DÉMARRAGES ACCIDENTELS** – Ne pas transporter l'outil avec le doigt sur la détente.
- **NE PAS TROP TENDRE LES BRAS** – Conserver son équilibre en tout temps.
- **ÉVITER LES CONDITIONS ENVIRONNEMENTALES DANGEREUSES** – Ne pas utiliser d'appareils électriques dans des lieux humides ou mouillés. Ne pas utiliser l'appareil sous la pluie.
- **NE PAS UTILISER** l'appareil dans un milieu gazeux ou déflagrant. Les moteurs de ces appareils produisent normalement des étincelles qui pourraient enflammer des vapeurs.
- **RANGER LES APPAREILS INUTILISÉS À L'INTÉRIEUR** – Lorsqu'ils ne sont pas utilisés, les appareils doivent être rangés à l'intérieur, dans un endroit sec et verrouillé, hors de portée des enfants.
- **ÊTRE VIGILANT** – Surveiller le travail effectué. Faire preuve de jugement. Ne pas utiliser l'appareil en cas de fatigue ou sous l'influence d'alcool, de drogues ou de médicaments.
- **TENIR LES MAINS ET LES PIEDS ÉLOIGNÉS DE LA ZONE DE TRAVAIL.**
- **NE PAS CHARGER L'APPAREIL SOUS LA PLUIE OU DANS DES ENDROITS HUMIDES.**
- **CE BLOC D'ALIMENTATION** est correctement orienté supporté dans une position verticale ou au plancher.

AVERTISSEMENTS SUPPLÉMENTAIRES POUR LES CULTIVATEURS

- **NE PAS** utiliser l'appareil si l'interrupteur ne fonctionne pas. Un appareil dont l'interrupteur ne fonctionne pas est dangereux et doit être réparé.
- **DÉBRANCHER** le bloc-piles de l'unité avant tout réglage, changement d'accessoires ou rangement. De telles mesures de sécurité préventives réduisent le risque de mettre l'unité en marche accidentellement.
- **NE PAS FORCER L'APPAREIL** – Le travail sera mieux fait à la vitesse pour lequel il a été conçu et sans risque de blessure. L'embrayage s'actionnera s'il est surmotorisé.
- **UTILISER LE BON APPAREIL** – Ne pas utiliser cet appareil pour tout autre type de travail sauf pour celui pour lequel il est prévu.
- **Certaines poussières produites par cet appareil contiennent des produits chimiques reconnus par l'État de la Californie comme étant cancérigènes et pouvant entraîner des anomalies congénitales et d'autres dangers relatifs à la reproduction. Ils comprennent notamment :**
 - composés présents dans les engrais,
 - composés présents dans les insecticides, herbicides et pesticides
 - arsenic et chrome provenant de bois traité chimiquement

Pour réduire votre exposition à ces produits chimiques, porter un équipement de sécurité approuvé comme un masque anti-poussières conçu spécialement pour filtrer les particules microscopiques.

- **APPAREIL ENDOMMAGÉ** – Si l'appareil frappe quelque chose ou devient enchevêtré avec un objet, il faut l'arrêter immédiatement, le débrancher, puis l'inspecter à la recherche de dommages qui devront être réparés avant une autre utilisation. Ne pas utiliser si l'appareil présente une dent brisée.
- **ENTREtenir L'APPAREIL AVEC SOIN** – Garder le bord des dents propre afin d'assurer une performance maximale et pour réduire le risque de blessure. Suivre les consignes de graissage et de changement d'accessoires. Maintenir les poignées sèches, propres et exemptes d'huile et de graisse.
- **VÉRIFIER LES PIÈCES ENDOMMAGÉES** – Avant toute utilisation ultérieure de l'appareil, un flasque endommagé, ou toute autre pièce endommagée, doit être examiné soigneusement afin d'assurer un fonctionnement adéquat selon sa fonction prévue. Vérifier l'alignement des pièces mobiles, la présence de grippage des pièces mobiles, de rupture de pièces, la fixation et tout autre problème pouvant nuire au fonctionnement de l'outil. Toute pièce endommagée, doit être réparée ou remplacée adéquatement par un centre de réparation autorisé à moins d'un avis contraire indiqué dans le présent mode d'emploi.
- **MAINTENIR LE FLASQUE EN PLACE ET EN BON ÉTAT DE FONCTIONNEMENT.**
- **AVANT DE DÉMARRER LE CULTIVATEUR DE JARDIN**, vérifier le sol et retirer toutes grandes pierres, brindilles et débris similaires. Poursuivre l'inspection en cours de travail.
- **SI MALGRÉ TOUTES CES PRÉCAUTIONS**, un objet obstrue le travail, mettre d'abord le cultivateur hors tension. Retirer le bloc-piles avant d'essayer de retirer l'objet qui obstrue.
- **Maintenir propre la zone qui comporte les dents.**
- ⚠ **AVERTISSEMENT : dents mobiles. Maintenir une distance sécuritaire.**
- ⚠ **AVERTISSEMENTS RELATIFS AUX PILES ET BLOCS-PILES**
- **UN APPAREIL À PILES** intégrées ou fonctionnant sur un bloc-piles externe doit être rechargé uniquement au moyen du chargeur prévu pour les piles utilisées. L'utilisation d'un chargeur destiné à un type de bloc-piles risque de provoquer un incendie s'il est utilisé avec un autre type de bloc-piles.
- **UTILISER L'APPAREIL FONCTIONNANT SUR PILES UNIQUEMENT** avec le bloc-piles spécialement conçu à cet effet. L'utilisation de toute autre pile peut provoquer un incendie.
- **NE PAS UTILISER OU CHARGER** le bloc-piles sous la pluie.
- **UTILISER SEULEMENT** le chargeur fourni.
- **RETIRER LE BLOC-PILES** avant toute réparation, nettoyage ou retrait de matière du cultivateur. Lorsque le cultivateur est inutilisé, retirer le bloc-piles et le transporter par la poignée avant.
- **PRENDRE GARDE** en manipulant les blocs-piles afin de ne pas provoquer de court-circuit entre les piles et des objets conducteurs comme des bagues, des bracelets et des clés. La pile ou le conducteur peut surchauffer et causer des brûlures.
- **NE PAS OUVRIR NI ALTÉRER LE BLOC-PILES.** L'électrolyte libéré est corrosif et peut endommager les yeux et la peau. Il peut être toxique si avalé.

Cet appareil est conforme aux dispositions du paragraphe 15 des règlements de la FCC. Son utilisation est sous réserve des deux conditions suivantes : (1) l'appareil ne doit provoquer aucun brouillage nuisible; (2) l'appareil doit accepter tout brouillage reçu, y compris un brouillage susceptible d'entraîner un fonctionnement indésirable.

REMARQUE : ce matériel a été testé et a été déclaré conforme aux limites en vigueur concernant les dispositifs numériques de classe B, en vertu de la partie 15 de la réglementation FCC. Ces limites visent à assurer une protection raisonnable contre tout brouillage nuisible dans une installation résidentielle. Ce matériel produit, consomme et peut émettre une énergie de radiofréquence et, s'il n'est pas installé et utilisé conformément aux directives qui l'accompagnent, il peut entraîner un brouillage nuisible des communications radio. Cependant, nous ne garantissons pas l'absence de brouillage dans tous les types d'environnement. Si, après avoir effectué une vérification en mettant l'appareil hors tension puis sous tension, l'utilisateur s'aperçoit que ce matériel provoque un brouillage nuisible à la réception des signaux de radio ou de télévision, il lui faudra essayer de corriger ce brouillage en prenant une ou plusieurs des mesures ci-dessous :

- Réorienter ou repositionner l'antenne de réception.
- Éloigner le plus possible le matériel du récepteur.
- Brancher le matériel dans une prise électrique située sur un circuit différent de celui du récepteur.
- Consulter le distributeur ou un technicien radio/télévision expérimenté pour obtenir de l'aide.

CONSERVER CES DIRECTIVES

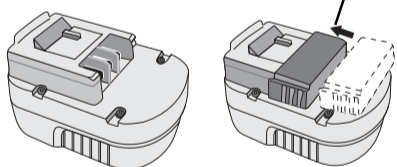
L'étiquette apposée sur votre outil pourrait comprendre les symboles suivants.

V	volts	A	ampères
Hz	hertz	W.....	watts
min	minutes	~	courant alternatif
==	courant continue	non	régime à vide
☐	Construction classe II	⊕	borne de terre
⚠	symbole d'alerte à la sécurité	.../min	révolutions ou alternance par minute

Information concernant le capuchon du bloc-pile

Un capuchon est fourni avec le bloc-pile en vue d'être utilisé chaque fois qu'on retire ce dernier de l'outil ou du chargeur en vue de le ranger ou de le transporter; enlever le capuchon avant de remettre le bloc-pile dans le chargeur ou dans l'outil.

Capuchon du bloc-pile



⚠ **AVERTISSEMENT : risque d'incendie. Ne pas ranger ni ne transporter les piles de manière à ce que des objets métalliques puissent entrer en contact avec les bornes exposées des piles.** Par exemple, ne pas mettre un bloc-piles dans un tablier, une poche, une boîte à outils, une boîte de nécessaire de produit ou un tiroir contenant des objets tels que des clous, des vis ou des clés, car tout contact accidentel entre les bornes à découvert et un objet métallique conducteur comme une clé, une pièce de monnaie, un outil à main, etc. risque de provoquer un incendie. La Hazardous Material Regulations (réglementation sur les produits dangereux) du département américain des transports interdit en fait le transport des blocs-piles pour le commerce et dans les avions (c.-à-d. dans des valises et les bagages à main) À MOINS qu'ils ne soient bien protégés contre les courts-circuits. Pour le transport de piles individuelles, on doit donc s'assurer que les bornes sont protégées et bien isolées contre toute matière pouvant entrer en contact avec elles et provoquer un court-circuit.

⚠ IMPORTANTES MESURES DE SÉCURITÉ RELATIVES AU CHARGEMENT

CHARGEMENT DE LA PILE

1. Le présent guide renferme des directives importantes relatives à la sûreté et au fonctionnement.
2. Avant d'utiliser le chargeur, lire toutes les directives et les mises en garde sur 1) le chargeur, 2) la pile et 3) le produit utilisant la pile.
3. ⚠ **MISE EN GARDE** : Afin de minimiser les risques de blessures, charger seulement des ensembles de piles Black & Decker. Tout autre type de pile pourrait exploser et causer des blessures ou des dommages.
4. Ne pas exposer le chargeur à la pluie ni à la neige.
5. L'utilisation d'un accessoire non recommandé ni vendu par Black & Decker présente des risques d'incendie, de secousses électriques ou de blessures.
6. Afin de minimiser les risques de dommages au cordon ou à la fiche, tirer sur la fiche et non le cordon pour débrancher celui-ci.
7. S'assurer que le cordon est placé qu'on ne puisse marcher dessus, y trébucher, ni y exercer toute autre contrainte ou dommage.
8. Utiliser un cordon de rallonge seulement en cas de nécessité absolue. L'utilisation d'une rallonge inappropriée présente des risques d'incendie ou de secousses électriques.
 - a. Les cordons bifilaires peuvent utiliser une rallonge bifilaire ou trifilaire. Il faudrait seulement

utiliser une rallonge à gaine ronde. Il est conseillé de se servir d'une rallonge homologuée par l'organisme Underwriters Laboratories (UL). Lorsque la rallonge est utilisée à l'extérieur, elle doit être prévue à cet effet. Tout cordon pour l'extérieur peut également servir à l'intérieur. Les mentions «W» ou «WA» sur la gaine du cordon indiquent que celui peut servir à l'extérieur.

- b. Les cordons de rallonge doivent être faits de conducteurs de calibre approprié (AWG ou calibre américain des fils) par mesure de sécurité et afin de prévenir les pertes de puissance et les surchauffes. Le numéro de calibre du fil est inversement proportionnel à la capacité du cordon. Ainsi, un cordon de calibre 16 a une capacité supérieure à un cordon de calibre 18. Lorsqu'il est nécessaire d'utiliser plus d'un cordon de rallonge, veiller à ce que chaque cordon ait au moins le calibre minimal.

TABLEAU DES CALIBRES DE FILS MINIMUMS (AWG) POUR LES RALLONGES				
VALEUR NOMINALE DE LA PLAQUE SIGNALÉTIQUE A – 0 – 10,0				
Longueur de rallonge totale (pi)	0 à 25	26 à 50	51 à 100	101 à 150
	(0 à 7,6 m)	(7,6 à 15,2 m)	(15,2 à 30,4 m)	(30,4 à 45,7 m)
Calibre du fil	18	16	16	14

9. Utiliser seulement le chargeur fourni pour charger votre batterie. L'utilisation de tout autre chargeur risque d'endommager l'outil ou de créer une condition dangereuse.
10. N'utiliser qu'un seul chargeur durant le chargement.
11. Ne pas tenter d'ouvrir le chargeur ni l'outil. L'utilisateur ne peut remplacer aucune pièce interne. En confier la réparation au personnel d'un centre de service Black & Decker autorisé.
12. NE PAS incinérer l'ensemble de piles même s'il est très endommagé ou complètement à plat.
13. Ne pas incinérer l'ensemble de piles. La chaleur des flammes peut le faire exploser. Il peut se produire une légère fuite du liquide excitateur des piles dans des conditions extrêmes. Il ne s'agit pas d'une défaillance. Toutefois, si ce liquide atteint la peau, faire ce qui suit.
 - a. Laver immédiatement à l'eau et au savon.
 - b. Neutraliser à l'aide d'un acide doux comme du jus de citron ou du vinaigre.
 - c. Si le liquide excitateur atteint les yeux, rincer immédiatement à l'eau claire pendant au moins dix minutes et consulter un médecin. **NOTE AU MÉDECIN** : Il s'agit d'une solution d'hydrogène de potassium à 25-35 p. 100.

CONSERVER CES DIRECTIVES

⚠ IMPORTANTES MESURES DE SÉCURITÉ RELATIVES AU CHARGEMENT

PROCÉDURE DE RECHARGE

LE BLOC-PILE N'EST PAS COMPLÈTEMENT CHARGÉ EN USINE. CHARGE BLOC-PILE PENDANT AU MOINS 9 HEURES AVANT UTILISATION.

Le chargeur est conçu pour être branché dans une prise domestique standard de 120 volts et de 60 Hz.

1. Brancher le chargeur dans une prise électrique standard de 120 volts, 60 Hz (**figure A**).
2. Glisser le chargeur sur le bloc-piles comme le montre la **figure B**, puis laisser le bloc-piles se charger pendant **9 heures** la première fois. Après la première charge, dans le cas d'une utilisation normale, le bloc-piles devrait se recharger entièrement en **6 à 9 heures**.
 - 2 a) Durant la charge, le voyant DEL vert s'allume.
 - 2 b) Lorsque la charge est terminée, le voyant DEL vert s'éteint.
3. Débrancher le chargeur, puis enlever le bloc-piles. **Insérer le bloc-piles dans l'outil de manière à ce qu'il s'enclenche en position.** **REMARQUE** : pour retirer le bloc-piles, appuyer sur le bouton de dégagement au dos du bloc-piles, puis faire glisser ce dernier (**Fig. C**).

NOTES IMPORTANTES RELATIVES AU CHARGEMENT

1. Après une utilisation normale, le chargement complet du bloc-pile prend de **6 à 9 heures**. Lorsque le bloc-pile est complètement à plat, cela peut prendre jusqu'à **9 heures**. Le bloc-pile n'est pas chargé à sa sortie de l'usine. Avant de s'en servir, il faut donc le charger pendant au moins **9 heures**.
2. NE PAS charger le bloc-pile lorsque la température ambiante est inférieure à 4.5 °C (40 °F) ou supérieure à 40.5 °C (105 °F). Cette mesure est importante et elle prévient de graves dommages aux blocs-piles. On optimise la durée et le rendement du bloc-pile lorsqu'on le charge à une température ambiante d'environ 24 °C (75 °F).
3. Le chargeur peut émettre des sons et devenir chaud au toucher pendant le chargement. Cette situation est normale et ne pose aucun problème.
4. Lorsque le bloc-pile n'est pas bien chargé, faire ce qui suit. (1) Vérifier l'alimentation de la prise en y branchant une lampe ou un autre appareil. (2) Vérifier si la prise est reliée à un interrupteur pour l'éclairage qui met la prise hors circuit lorsqu'on éteint les lumières. (3) Déplacer le bloc-pile et le chargeur dans un endroit où la température ambiante se situe entre 4.5 °C (40 °F) et 40.5 °C (105 °F). (4) Si le problème persiste, il faut confier le bloc-pile et le chargeur au personnel du centre de service Black & Decker de la région. Consulter la rubrique «Outils électriques» des Pages Jaunes.
5. Il faut charger la pile lorsqu'elle ne fournit plus la puissance nécessaire pour effectuer les tâches avec autant de facilité qu'auparavant. NE PLUS SE SERVIR de l'outil lorsque le bloc-pile est à plat.
6. Le bloc-pile atteint son rendement optimal après cinq cycles de chargement dans des conditions d'utilisation normales. Il n'est pas nécessaire que le bloc-pile soit complètement à plat pour le recharger. Une utilisation normale consiste en la meilleure manière de décharger et de recharger les piles.

RECOMMANDATIONS D'ENTREPOSAGE

1. Ranger l'outil :
 - a.) après avoir extrait le bloc-piles et l'avoir mis sur le chargeur
 - b.) dans un endroit frais et sec à l'écart des rayons directs du soleil et de la chaleur ou du froid excessif(ve);
 - c.) hors de la portée des enfants.
2. Pour un entreposage prolongé (comme au cours de la période hivernale), charger complètement le bloc-piles puis le retirer du chargeur. Le charger de nouveau au printemps, avant toute utilisation.

ENSEMBLE DE PILES DANS LE CHARGEUR

Il n'est pas dangereux de laisser le bloc-piles dans le chargeur durant une longue période de temps. Le chargeur est doté d'un mode d'entretien qui donne suffisamment de charge au bloc-piles pour que celui-ci demeure chargé. Toutefois, si l'on ne prévoit pas utiliser l'outil durant plus de 30 jours, débrancher le chargeur et ranger le bloc-piles dans un endroit frais et sec.

REMARQUE : Le bloc-piles perdra sa charge une fois retiré du chargeur. Si le bloc-piles n'a pas été maintenu chargé (charge d'entretien), il peut être nécessaire de le recharger avant de l'utiliser. Un bloc-piles peut perdre sa charge s'il est laissé dans un chargeur qui n'est pas branché à une source de c.a. appropriée.

ASSEMBLAGE

ASSEMBLAGE DE LA POIGNÉE AUXILIAIRE (FIG. D)

- Installer la poignée sur le manche supérieur à la hauteur souhaitée.
- S'assurer que le bloc de verrouillage (8) est aligné avec la rainure sur le manche.
- Assembler et serrer le boulon (9).

RALLONGE (FIG. E)

- Desserrer la bague (10).
- Déployer la rallonge pour atteindre la longueur souhaitée.
- Serrer la bague.

INSTALLATION DU FLASQUE (FIG. F)

1. Positionner l'ouverture centrale du flasque (11) sous le boîtier moteur inférieur. Installer la pièce par le bas (près de l'extrémité du pignon).
2. Aligner les onglets avec les ouvertures du boîtier. Appliquer une pression uniforme sur le déflecteur. Les onglets s'enclenchent en émettant un déclic.
3. S'assurer que tous les onglets sont correctement insérés.

⚠ **AVERTISSEMENT : NE JAMAIS UTILISER L'OUTIL SANS LE DÉFLECTEUR SOLIDEMENT EN POSITION.**

MONTAGE DES DENTS (FIG. G)

⚠ AVERTISSEMENT : relâcher la détente, attendre l'immobilisation complète des dents puis retirer le bloc-piles.

1. Insérer la dent (12) sur l'arbre (13). Aligner la section plate du trou de la dent avec celle de l'arbre. S'assurer d'enfoncer complètement la dent sur l'arbre.
2. Insérer l'extrémité droite de la goupille (14) dans le trou de l'arbre. Insérer la goupille au complet jusqu'à ce que l'extrémité bouclée vienne en butée contre l'arbre.
3. Refaire le même montage pour l'autre dent. Pour retirer les dents, inverser la procédure.

FONCTIONNEMENT (FIG. H,I)

⚠ AVERTISSEMENT : s'assurer que toutes les personnes et animaux sont éloignés d'au moins 6 m (20 pi).

1. Tenir l'outil comme indiqué à la figure H.
2. Relever l'appareil du sol.
3. Glisser le bouton de verrouillage (15) (fig. I).
4. Appuyer sur la détente (16).

Pour le premier crochitage de la saison, un déplacement lent est recommandé car la terre est bien tassée. Les prochains crochitages seront plus rapides. Ne pas essayer d'ameubler le sol mouillé pour des raisons de sécurité (électrique) et pour prévenir le bourrage des dents. En cas de travaux sous des conditions qui provoquent le bourrage des dents, relâcher la détente, attendre l'arrêt complet des dents! RETIRER LE BLOC-PILES! Utiliser un bâton ou un tournevis pour retirer la matière prise dans les dents. Le fonctionnement continu de l'outil avec les dents bourrées surchargera gravement le moteur.

REMARQUE : L'appareil est doté d'un mécanisme intégré d'embrayage utilisé pour prévenir des dommages permanents à l'appareil lors d'obstruction des dents ou en présence de conditions de travail exigeantes. Si l'embrayage est enclenché, l'appareil émettra un cliquetis bruyant. Ce cliquetis continuera jusqu'à ce que l'obstruction soit dégagée ou que la condition de travail se normalise. Retirer le bloc-piles avant d'essayer de dégager les dents de l'appareil. L'utilisateur ne peut pas ajuster le mécanisme d'embrayage.

⚠ MISE EN GARDE : ne pas essayer de dégager les dents en laissant tomber l'outil ou en le frappant au sol. De telles pratiques risquent d'endommager l'appareil.

RANGEMENT

Enlever et nettoyer toute trace de débris de l'extérieur du cultivateur et à l'intérieur du flasque avant le rangement. Voir la section **ENTRETIEN**.

⚠ MISE EN GARDE : NE PAS SUSPENDRE L'APPAREIL PAR LA DÉTENTE.

Remarque : ne pas ranger l'outil sur des engrais ou des produits chimiques ou près de ceux-ci. Un rangement de cette sorte risque de provoquer une corrosion rapide.

PRÉVENTION DE LA CORROSION

⚠ AVERTISSEMENT : porter des gants et une protection oculaire adéquats lors du nettoyage de l'outil.

Les engrais et autres produits chimiques de jardin renferment des agents qui accélèrent gravement la corrosion du métal. Après utilisation de l'outil dans des endroits où des engrais ou des produits chimiques ont été utilisés, l'outil doit être ensuite immédiatement nettoyé.

Essuyer toutes les pièces exposées avec un chiffon humide. Lubrifier uniquement les pièces métalliques avec de l'huile à base de pétrole léger.

Lors du nettoyage, NE PAS immerger l'outil dans l'eau ou l'arroser au boyau.

	DÉPANNAGE	
Problème	Cause possible	Solution possible
• L'appareil refuse de démarrer.	• Mauvaise installation de la batterie. • Pile non chargée. • Bouton de verrouillage activé.	• Vérifier l'installation de la batterie. • Vérifier les exigences de charge pour la pile. • Déplacer le bouton de verrouillage en position de fonctionnement.
• La pile ne se charge pas.	• Pile non insérée dans le chargeur. • Chargeur non branché.	• Insérer la pile dans le chargeur de sorte que le voyant DEL vert apparaisse. • Brancher le chargeur dans une prise qui fonctionne. Se reporter à la rubrique « Remarques importantes de chargement » pour plus de renseignements. • Vérifier le courant à la prise en branchant une lampe ou un autre appareil électrique. • Vérifier si la prise est reliée à un interrupteur qui coupe le courant au moment d'éteindre la lumière. • Déplacer le chargeur et l'outil à une température ambiante de plus de 4.5 °C (40 °F) ou sous les 40.5 °C (105 °F).
	• Température ambiante trop chaude ou froide.	

Pour de l'aide avec l'outil, consulter notre site Web www.blackanddecker.com pour l'emplacement du centre de réparation le plus près ou communiquer avec l'assistance BLACK & DECKER au 1-800-544-6986.

ENTRETIEN

N'utiliser qu'un détergent doux et un chiffon humide pour nettoyer l'outil. Ne jamais laisser de liquide pénétrer dans l'outil et n'immerger aucune partie de l'outil dans un liquide **IMPORTANT :** pour garantir la SÉCURITÉ et la FIABILITÉ du produit, les réparations, l'entretien et le réglage (autre que ceux énumérés dans ce mode d'emploi) doivent être réalisés par un centre de réparation autorisé ou tout autre centre de réparation professionnel, et les des pièces de rechange identiques doivent être utilisées.

Le SCEAU SRPRC™

Le sceau SRPRC™ apposé sur le bloc-piles au nickel cadmium indique que son coût de recyclage à la fin de sa vie utile sera payé par Black & Decker. Il est illégal de jeter les piles au nickel cadmium épuisées dans les poubelles ou dans le système municipal d'élimination des résidus solides. Le programme RBRC représente donc une alternative sensibilisée à l'environnement. La SRPRC™, en collaboration avec Black & Decker, ont établi aux États-Unis et au Canada des programmes facilitant la cueillette des piles au nickel cadmium épuisés. Black & Decker encourage ses utilisateurs à participer à son programme de protection de l'environnement en retournant les piles usagées à un centre de réparation autorisé Black & Decker. On peut également communiquer avec le centre de recyclage de la région pour savoir où déposer les piles usées ou composer le 1-800-8-BATTERY.

ACCESSOIRES

Dents de remplacement (RT400) pouvant être utilisés avec l'outil sont disponibles auprès de votre distributeur local ou centre de réparation autorisé. Pour tout renseignement concernant les accessoires, composer le : 1 800 544-6986.

⚠ AVERTISSEMENT : l'utilisation de tout accessoire non recommandé avec cet outil pourrait s'avérer dangereuse.

INFORMATION SUR LES RÉPARATIONS

Tous les centres de réparation Black & Decker sont dotés de personnel qualifié en matière d'outillage électrique; ils sont donc en mesure d'offrir à leur clientèle un service efficace et fiable. Que ce soit pour un avis technique, une réparation ou des pièces de rechange authentiques installées en usine, communiquer avec l'établissement Black & Decker le plus près de chez vous. Pour trouver l'établissement de réparation de votre région, consulter le répertoire des Pages jaunes à la rubrique « Outils électriques » ou composer le numéro suivant : 1-800-544-6986 ou consulter le site www.blackanddecker.com

GARANTIE COMPLÈTE DE DEUX ANS POUR UNE UTILISATION DOMESTIQUE

Black & Decker (É.-U.) Inc. garantit ce produit pour une durée de deux ans contre tout défaut de matériau ou de fabrication. Le produit défectueux sera remplacé ou réparé sans frais de l'une des deux façons suivantes :

La première façon consiste en un simple échange chez le détaillant qui l'a vendu (pourvu qu'il s'agisse d'un détaillant participant). Tout retour doit se faire durant la période correspondant à la politique d'échange du détaillant (habituellement, de 30 à 90 jours après l'achat). Une preuve d'achat peut être requise. Vérifier auprès du détaillant pour connaître sa politique concernant les retours hors de la période définie pour les échanges.

La deuxième option est d'apporter ou d'envoyer le produit (transport payé d'avance) à un centre de réparation autorisé ou à un centre de réparation de Black & Decker pour faire réparer ou échanger le produit, à notre discrétion. Une preuve d'achat peut être requise. Les centres Black & Decker et les centres de service autorisés sont répertoriés dans les pages jaunes, sous la rubrique « Outils électriques ».

Cette garantie ne s'applique pas aux accessoires. Cette garantie vous accorde des droits légaux spécifiques et vous pourriez avoir d'autres droits qui varient d'un État ou d'une province à l'autre. Pour toute question, communiquer avec le directeur du centre de réparation Black & Decker le plus près de chez vous. Ce produit n'est pas destiné à un usage commercial.

REPLACEMENT GRATUIT DES ÉTIQUETTES D'AVERTISSEMENT : si les étiquettes d'avertissement deviennent illisibles ou sont manquantes, composer le 1-800-544-6986 pour en obtenir le remplacement gratuit.

Imported by / Importé par
Black & Decker Canada Inc.
100 Central Ave.
Brockville (Ontario) K6V 5W6

Voir la rubrique "Outils électriques"
des Pages Jaunes
pour le service et les ventes.



CULTIVADOR PARA JARDÍN DE 18 VOLTIOS

MANUAL DE INSTRUCCIONES

Catálogo N° GC818

Gracias por elegir Black & Decker!
Visite www.BlackandDecker.com/NewOwner
para registrar su nuevo producto.

LEA EL MANUAL ANTES DE DEVOLVER ESTE PRODUCTO POR CUALQUIER MOTIVO:

Si tiene una consulta o algún inconveniente con su producto Black & Decker, visite [HTTP://WWW.BLACKANDDECKER.COM/INSTANTANSWERS](http://WWW.BLACKANDDECKER.COM/INSTANTANSWERS)

para obtener respuestas instantáneas las 24 horas del día.

Si no encuentra la respuesta o no tiene acceso a Internet, llame al 1-800-544-6986 de lunes a viernes de 8 a.m. a 5 p.m. hora del Este para hablar con un agente.

Cuando llame, tenga a mano el número de catálogo.

INFORMACION CLAVE QUE DEBE SABER:

- Inspeccione y limpie a fondo su cultivador al comienzo de cada uso.
- Las hojas de esta herramienta no están diseñadas para estar afiladas. No afile.
- Asegúrese de que el área esté libre de personas o mascotas antes de encender la herramienta.
- Asegúrese de que el área de trabajo esté libre de cañerías y cables subterráneos.

CONSERVE ESTE MANUAL PARA FUTURAS CONSULTAS.

⚠ INSTRUCCIONES DE SEGURIDAD GENERALES PARA TODAS LAS HERRAMIENTAS

⚠ ADVERTENCIA: Para reducir el riesgo de lesiones:

- Antes de utilizar, asegúrese de que todas las personas que usen esta herramienta hayan leído y comprendido todas las instrucciones de seguridad y cualquier otra información incluida en este manual.
- Guarde estas instrucciones y revíselas con frecuencia antes de usar la herramienta y al enseñarlas a los demás.

PAUTAS DE SEGURIDAD/DEFINICIONES

Es importante que lea y comprenda este manual. La información que contiene se relaciona con la protección de SU SEGURIDAD y la PREVENCIÓN DE PROBLEMAS. Los símbolos que siguen se utilizan para ayudarlo a reconocer esta información.

⚠ PELIGRO: indica una situación de peligro inminente que, si no se evita, provocará la muerte o lesiones graves.

⚠ ADVERTENCIA: indica una situación de peligro potencial que, si no se evita, provocará la muerte o lesiones graves.

⚠ PRECAUCIÓN: indica una situación de peligro potencial que, si no se evita, provocará lesiones leves o moderadas.

PRECAUCIÓN: utilizado sin el símbolo de alerta de seguridad indica una situación de peligro potencial que, si no se evita, puede provocar daños en la propiedad.

⚠ ADVERTENCIA: LEA TODAS LAS INSTRUCCIONES.

Al utilizar herramientas eléctricas para jardín, siempre deben cumplirse las precauciones de seguridad básicas para reducir el riesgo de incendio, descarga eléctrica y lesiones personales:

- **SIEMPRE UTILICE PROTECCIÓN PARA LOS OJOS:** utilice gafas o anteojos de seguridad siempre que la unidad esté en uso. Los anteojos de seguridad están disponibles a un costo adicional en su centro local de mantenimiento de Black & Decker o en una instalación de mantenimiento autorizado. Utilice siempre máscaras faciales o para polvo si la operación produce polvillo.
- **UTILICE LA VESTIMENTA ADECUADA:** no utilice ropa holgada ni joyas. Pueden atascarse en las piezas en movimiento. Se recomienda utilizar guantes de goma y calzado con una suela de goma considerable al trabajar al aire libre. No opere la unidad descalzo o con sandalias abiertas. Utilice pantalones largos para protegerse las piernas. Recójase y cubra el cabello largo.
- **NO permita que los niños utilicen esta unidad.**
- Asegúrese de que las demás personas y mascotas estén a no menos de 6,1 m (20 pies) de distancia.
- **EVITE EL ARRANQUE ACCIDENTAL:** nunca transporte la unidad con el dedo en el disparador.
- **NO SE ESTIRE:** conserve el equilibrio adecuado y manténgase parado correctamente en todo momento.
- **EVITE LAS CONDICIONES AMBIENTALES PELIGROSAS:** no utilice unidades eléctricas en lugares húmedos o mojados. No utilice la unidad bajo la lluvia.
- **NO OPERE** la unidad en atmósferas gaseosas o explosivas. Los motores de estas unidades normalmente generan chispas y éstas últimas pueden encender los vapores.
- **GUARDE LAS HERRAMIENTAS QUE NO SE UTILICEN EN EL INTERIOR:** cuando no las utilice, las unidades deben guardarse en un lugar seco y bajo llave, fuera del alcance de los niños.

- **ESTÉ ALERTA:** fíjese en lo que está haciendo. Use el sentido común. No opere la unidad si está cansado o bajo la influencia del alcohol, drogas o medicamentos.
- **MANTENGA LAS MANOS Y LOS PIES LEJOS DEL ÁREA DE TRABAJO.**
- **NO CARGUE LA HERRAMIENTA BAJO LA LLUVIA O EN LUGARES HÚMEDOS.**
- **ESTA UNIDAD DE POTENCIA** esta diseñada para ser correctamente orientada en una posición vertical o de montaje en el piso.

⚠️ ADVERTENCIAS ADICIONALES PARA CULTIVADORES

- **NO UTILICE** la unidad si no se puede encender o apagar con el interruptor. Toda unidad que no pueda ser controlada mediante el interruptor es peligrosa y debe repararse.
- **ANTES DE REALIZAR** ajustes, cambiar accesorios o guardar la unidad, desconecte el paquete de baterías. Estas medidas de seguridad preventivas reducen el riesgo de encender la unidad en forma accidental.
- **NO FUERCE LA HERRAMIENTA:** trabajará mejor y con menos probabilidad de lesiones personales si se opera a la velocidad para la que fue diseñada. El embrague se activará si se sobrecarga.
- **UTILICE LA HERRAMIENTA ADECUADA:** no utilice esta unidad para un trabajo diferente a aquéllos para los que fue diseñada.
- **El polvo creado por este producto contiene productos químicos reconocidos por el Estado de California como causantes de cáncer, defectos de nacimiento u otros problemas reproductivos. Algunos ejemplos de estos productos químicos son:**
 - compuestos en fertilizantes
 - compuestos en insecticidas, herbicidas y pesticidas
 - arsénico y cromo de madera con tratamiento químico

Para reducir su exposición a estos productos químicos, use equipo de seguridad aprobado, como máscaras para polvo que están diseñadas especialmente para filtrar las partículas microscópicas.

- **DAÑO A LA HERRAMIENTA:** si golpea la herramienta o ésta se atasca con un objeto extraño, deténgala de inmediato, verifique que no se haya dañado y repare cualquier daño antes de seguir utilizándola. No opere la unidad con un diente roto.
- **CONSERVE LAS HERRAMIENTAS ADECUADAMENTE:** mantenga el borde de corte limpio para obtener un mejor rendimiento y reducir el riesgo de lesiones personales. Siga las instrucciones para lubricar y cambiar los accesorios. Mantenga los mangos secos, limpios y libres de aceite y grasa.
- **VERIFIQUE LAS PIEZAS AVERIADAS:** Antes de volver a utilizar la unidad, se debe controlar la cubierta u otra pieza que esté averiada para determinar si funcionará correctamente y realizará la función para la que fue diseñada. Verifique la alineación y la sujeción de las piezas móviles, la rotura de piezas, el montaje y cualquier otra condición que pueda afectar su operación. Cualquier pieza que esté dañada debe ser reparada correctamente o reemplazada por un centro de mantenimiento autorizado, a menos que este manual indique lo contrario.

- **MANTENGA LA CUBIERTA INSTALADA ADECUADAMENTE Y EN FUNCIONAMIENTO.**
- **ANTES DE ENCENDER EL CULTIVADOR PARA JARDÍN,** verifique la tierra y retire las piedras grandes, las ramas pequeñas y otros objetos similares. Siga controlando para asegurarse de que el área esté limpia mientras trabaja.

- **SI A PESAR DE TODAS ESTAS PRECAUCIONES ENCUENTRA UN OBSTÁCULO** durante el trabajo, apague el cultivador. Retire la batería antes de intentar quitar el obstáculo.
- **Mantenga limpia el área de los dientes.**

⚠️ ADVERTENCIA: Dientes oscilantes. Manténgase a distancia segura.

⚠️ ADVERTENCIAS SOBRE LA BATERÍA

- **UNA UNIDAD ACCIONADA A BATERÍA** con baterías integrales o un paquete de baterías separado debe recargarse sólo con el cargador especificado para la batería. Un cargador adecuado para un tipo de batería puede crear un riesgo de incendio si se utiliza con otra batería.
- **UTILICE LA UNIDAD ACCIONADA A BATERÍA SÓLO** con el paquete de baterías diseñado específicamente. El uso de otro tipo de batería puede producir riesgo de incendio.
- **NO UTILICE NI CARGUE LA BATERÍA** bajo la lluvia.
- **UTILICE ÚNICAMENTE** el cargador provisto.
- **RETIRE LA BATERÍA** antes de realizar tareas de mantenimiento, limpieza o extracción de materiales del cultivador. Retire la batería de su cultivador y téngala a distancia segura cuando no lo utilice.
- **TENGA CUIDADO** al manipular las baterías a fin de no producir un cortocircuito entre las baterías y los materiales conductores como anillos, pulseras y llaves. La batería o el conductor pueden sobrecalentarse y ocasionar quemaduras.
- **NO ABRA NI DAÑE** las baterías. Los electrolitos liberados son corrosivos y pueden ocasionar lesiones en los ojos o en la piel. Pueden ser tóxicos si se ingieren.

Este dispositivo cumple con la parte 15 de las normas de la Comisión Federal de Comunicaciones de los Estados Unidos (FCC). La operación está sujeta a las dos condiciones siguientes: (1) este dispositivo no puede causar interferencia perjudicial y (2) este mecanismo debe aceptar cualquier interferencia recibida, incluida la interferencia que puede provocar una operación no deseada.

NOTA: Este equipo ha sido probado y se encontró que cumple con los límites para dispositivo digital Clase B, según la parte 15 de las normas de la FCC. Estos límites están diseñados para brindar protección razonable contra interferencia perjudicial en una instalación residencial. Este equipo genera, usa y puede irradiar energía en frecuencia de radio y, si no se instala y se usa de acuerdo con las instrucciones, puede provocar interferencia perjudicial en las comunicaciones de radio. Sin embargo, no hay garantía de que la interferencia no ocurra en una instalación en particular. Si este equipo provoca interferencia perjudicial en la recepción de radio o televisión, lo que se puede determinar al apagar y encender el equipo, el usuario debe tratar de corregir la interferencia mediante una o más de las siguientes medidas:

- Cambiar la orientación o la ubicación de la antena de recepción.
- Aumentar la separación entre el equipo y el receptor.
- Conectar el equipo a un tomacorriente sobre un circuito diferente de aquel al que está conectado el receptor.
- Consultar al vendedor o pedir la ayuda de un técnico en radio y televisión con experiencia.

CONSERVE ESTAS INSTRUCCIONES

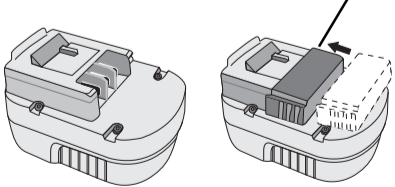
La etiqueta de su herramienta puede incluir los siguientes símbolos.

V	voltios	A	amperios
Hz	hertz	W	vatios
min	minutos	~	corriente alterna
==	corriente continua	no	no velocidad sin carga
☐	Construcción de clase II	⊕	terminal a tierra
⚠️	símbolo de alerta de seguridad	.../min	revoluciones o reciprocidad por minuto

Información acerca del protector de la batería

Se han incluido protectores para el almacenaje y transporte de la batería. Estos deben ser usados cuando la batería no esté conectada a la herramienta ni en el cargador. Recuerde quitar el protector antes de poner la batería en el cargador o conectarla a la herramienta.

Protector de la batería



- **ADVERTENCIA: Riesgo de incendio. No guarde o transporte la batería de ninguna manera que permita que los terminales expuestos de la batería entren en contacto con objetos metálicos.** Por ejemplo, no coloque la batería en delantales, bolsillos, cajas de herramientas, cajas de juegos de productos, cajones, etc. con clavos, llaves, tornillos sueltos, etc. **Transportar baterías puede provocar incendios si los terminales de la batería entran en contacto accidentalmente con materiales conductores como llaves, monedas, herramientas de mano u objetos similares.** Las Normas para Materiales Peligrosos del Departamento de Transporte de los EE.UU. (HMR) concretamente prohíben transportar baterías comercialmente o en aviones (es decir, empaçadas en maletas y equipaje de mano) A MENOS que estén debidamente protegidas de cortocircuitos. Por lo tanto, cuando transporte baterías individuales, asegúrese de que los terminales de la batería estén protegidos y bien aislados de materiales que puedan hacer contacto y causar un cortocircuito.

⚠️ ADVERTENCIA E INSTRUCCIONES DE SEGURIDAD

CARGA DE LA BATERÍA

1. Este manual contiene instrucciones importantes sobre seguridad y operación.
2. Antes de usar el cargador de baterías, lea todas las instrucciones y marcas precautorias en (1) el cargador de baterías, (2) la batería, y (3) el producto que utiliza la batería.
3. ⚠️ **PRECAUCIÓN:** Para reducir el riesgo de lesiones, cargue únicamente baterías Black & Decker. Baterías de otros tipos pueden estallar ocasionando daños y lesiones personales.
4. No exponga el cargador a la lluvia o a la nieve.
5. El uso de dispositivos no recomendados o vendidos por Black & Decker puede resultar en riesgos de incendio, choque eléctrico o lesiones personales.
6. Para reducir el riesgo de dañar el cable o la clavija, tire de la clavija en lugar de tirar del cable para desconectar el cargador.
7. Asegúrese de colocar el cable de manera que no lo pisen, se tropiecen con el, o se someta a tensión o daños.
8. No deben utilizarse cables de extensión a menos que sea absolutamente necesario. El uso de una extensión inapropiada puede resultar en riesgos de incendio, choque eléctrico o electrocución.
 - a. Los cables con dos conductores pueden usarse con extensiones con dos o tres conductores. Deben utilizarse únicamente cables con cubierta cilíndrica, y recomendamos que estén aprobados por Underwriters Laboratories (U.L.) (que cumplan con la NOM en su caso). Si la extensión se usará fuera de casa, deberá ser apropiada para uso a la intemperie. Cualquier cable marcado para trabajo a la intemperie se puede utilizar bajo techo. Las siglas “W” o “WA” en la cubierta de la extensión significan que el cable es adecuado para usarse a la intemperie.
 - b. Un cable de extensión debe tener el calibre adecuado (AWG o “American Wire Gauge”) por seguridad, y para evitar pérdida de potencia y sobrecalentamiento. Mientras menor sea el número del calibre del cable, mayor será la capacidad; esto es, una cable calibre 16 tiene mayor capacidad que uno con calibre 18. Cuando emplee más de una extensión, asegúrese de que cada una contenga por lo menos el calibre mínimo requerido.

TABLA DE MEDIDAS MÍNIMAS DE CONDUCTOR (AWG) PARA CABLES PROLONGADORES AMPERIOS SEGÚN PLACA: 0 A 10

Longitud total del cable prolongador (en pies)	0-25	26-50	51-100	101-150
	(0-7,6 m)	(7,9-15,2 m)	(15,5-30,4 m)	(30,8-45,7 m)
Calibre del conductor	18	16	16	14

9. Utilice únicamente el cargador suministrado para recargar su unidad. El empleo de cualquier otro cargador podría dañar la batería o crear condiciones de peligro.
 10. Utilice únicamente un cargador cuando recargue.
 11. No intente abrir el cargador o la unidad. No hay partes susceptibles de ser reparadas por el usuario en el interior. Envíe la unida a un centro de servicio autorizado Black & Decker.
 12. NO incinere las baterías aún si están muy dañadas o completamente desgastadas.
 13. No incinere las baterías. Pueden estallar con el fuego. Puede haber una pequeña fuga del líquido de las celdas de la batería bajo condiciones extremas de uso, carga o temperatura. Esto no implica fallas, sin embargo, si el sello exterior se rompe y el líquido fugado hace contacto con su piel:
 - a. Lave rápidamente con agua y jabón.
 - b. Neutralice con un ácido leve como jugo de limón o vinagre.
 - c. Si el líquido de la batería se introduce en sus ojos, enjuáguelos con agua limpia durante un mínimo de 10 minutos y busque atención médica de inmediato.
- NOTA MÉDICA:** El líquido es una solución de 25 a 35% de hidróxido de potasio (potasa cáustica).

⚠️ INSTRUCCIONES DE SEGURIDAD IMPORTANTES SOBRE LA CARGA

PROCEDIMIENTO DE CARGA PAQUETE DE BATERÍAS NO VIENEN COMPLETAMENTE CARGADAS DE FÁBRICA. PAQUETE DE BATERÍAS DE CARGA DE AL MENOS 9 HORAS ANTES DE SU USO.

1. Enchufe el cargador en cualquier tomacorriente estándar de 120 V, 60 Hz (**Figura A**).
2. Deslice el cargador sobre el paquete de baterías, como se muestra en la **Figura B** y deje que el paquete de baterías se cargue la primera vez durante **9 horas**. Después de la carga inicial, en condiciones de uso normal, el paquete de baterías debe cargarse completamente entre **6 y 9** horas.
 - 2 A) Durante la carga, el LED verde se encenderá.
 - 2 B) Al completarse la carga, el LED verde se apagará.
3. Desenchufe el cargador y retire el paquete de baterías. **Coloque el paquete de baterías en la herramienta hasta que quede firme en su lugar.**

NOTA: Para retirar el paquete de baterías, presione el botón de liberación en la parte trasera del mismo y deslícelo (**Figura C**).

NOTAS IMPORTANTES SOBRE LA CARGA

1. Después uso normal, su batería deberá quedar completamente cargada en 6 a 9 horas. Si la batería se ha agotado por completo, puede tomarle hasta 9 horas cargar completamente. Su batería viene de fábrica descargada. Antes de intentar usarla, deberá cargarlo durante horas.
2. NO cargue la batería cuando la temperatura sea inferior a 5°C (40°F) o mayor a 41°C (105°F). Esto es importante y le evitará serios daños a la batería. Se pueden obtener mayor duración y mejor rendimiento si se carga la batería cuando la temperatura sea de aproximadamente de 24°C (75°F).
3. Durante la carga, el cargador puede zumbir y calentarse al tacto. Esto es una condición normal y no indica ningún problema.
4. Si la batería no carga apropiadamente — (1) revise la corriente en la toma conectando una lámpara u otro aparato. (2) Revise si la toma está conectada a un interruptor que corte la corriente al apagar las luces. (3) Lleva el cargador y la batería a un sitio en el que la temperatura esté entre 5°C (40°F) y 41°C (105°F). (4) Si la temperatura y la alimentación son adecuadas, y usted no consigue la carga correcta, lleve su herramienta al centro de servicio de su localidad. Consulte “herramientas eléctricas” en la sección amarilla del directorio telefónico.
5. La batería deberá recargarse cuando deja de producir potencia suficiente en trabajos que se hicieron con facilidad anteriormente. NO CONTINUE usando la podadora con su batería en estas condiciones.
6. La batería alcanzará su rendimiento óptimo después de 5 ciclos de uso normal. No hay necesidad de agotar la carga de la batería antes de cargarla de nuevo. El uso normal es el mejor método para descargar y recargar la batería.

RECOMENDACIÓN PARA EL ALMACENAMIENTO

1. Almacene la herramienta:
 - a.) con la batería retirada y en el cargador;
 - b.) en un lugar fresco y seco, lejos de la luz del sol directa y el exceso de calor o frío;
 - c.) fuera del alcance de los niños.
2. En caso de almacenamiento prolongado, como durante el invierno, la batería debe cargarse completamente y luego retirarse del cargador. Debe cargarse nuevamente antes de usarla en la primavera. Guarde como se indicó en los puntos a, b y c, anteriormente.

DEJANDO LA BATERÍA EN EL CARGADOR

Está bien dejar cargando los paquetes de baterías durante períodos prolongados. El cargador cuenta con un modo de mantenimiento que le entrega suficiente carga a la batería para conservarla “completamente cargada”. Sin embargo, si no se va a necesitar la herramienta durante más de 30 días, desenchufe el cargador y guarde la batería en un lugar fresco y seco. **NOTA:** Un paquete de baterías perderá su carga cuando no está en el cargador. Si no ha dejado el paquete de baterías en carga de mantenimiento, es posible que deba cargarlo nuevamente antes de usarlo. Un paquete de baterías también podría perder su carga si se deja en un cargador que no esté conectado a un suministro de CA apropiado.

