

Category 6 High-Density Feed-Through Patch Panels

Provide patching without punching down the wires to the ports.

Meet CAT6 specifications.
Install in relay racks or communications cabinets.



**Customer
Support
Information**

Order toll-free in the U.S.: Call 877-877-BBOX (outside U.S. call 724-746-5500) •
FREE technical support 24 hours a day, 7 days a week: Call 724-746-5500 or fax 724-746-0746 •
Mailing address: Black Box Corporation, 1000 Park Drive, Lawrence, PA 15055-1018 •
Web site: www.blackbox.com • E-mail: info@blackbox.com

Category 6 High-Density Feed-Through Patch Panels

Trademarks Used in this Manual

Black Box and the Double Diamond logo are registered trademarks of BB Technologies, Inc.

Any other trademarks mentioned in this manual are acknowledged to be the property of the trademark owners.

1. Specifications

Standards: TIA/EIA 568B.2-1, Category 6

Connectors: JPM816A-HD: (48) shielded RJ-45 on front; (48) shielded RJ-45 on back;
JPM820A-HD: (48) unshielded RJ-45 on front; (48) unshielded RJ-45 on back

Size: Panel including cable management: 1.75"H (1U) x 19"W x 6"D (4.4 x 48.3 x 15.3 cm)

Weight: JPM816A-HD: 3.8 lb. (1.7 kg);
JPM820A-HD: 3.3 lb. (1.5 kg)

2. Overview

The Category 6 High-Density Feed-Through Patch Panels meet Category 6 performance requirements and provide patching without punching down the wires to the ports. These sturdy panels install in relay racks or communications cabinets.

Your package should include the following items. If anything is missing or damaged, please contact Black Box at 724-746-5500.

- (1) Category 6 High-Density Feed-Through Patch Panel
- (4) 10-32 cuphead screws
- (4) 12-24 cuphead screws
- (8) cable ties
- (4) drain wires (with shielded panel [JPM816A-HD] only)
- (8) station ID labels

3. Installation

Use the High-Density Feed-Through Patch Panels in relay racks. They neatly organize and support the data cables you've installed in the rear of the patch panel.

Follow these steps to install the patch panel in a relay rack or communications cabinet:

1. Find an empty rack space.
2. Install the panel with the supplied 10-32 or 12-24 cuphead screws.
3. Install the RJ-45 patch cables on the front and rear connectors. Make sure the rear patch cables are resting on the cable management bar.

- When using the shielded High-Density Feed-Through Patch Panels, make sure to attach the necessary drain wires. Use one drain wire for each shielded module on the patch panel. Attach the drain wire in either of the two places as shown in Figure 3-1. Connect the other end of the drain wire to proper ground.

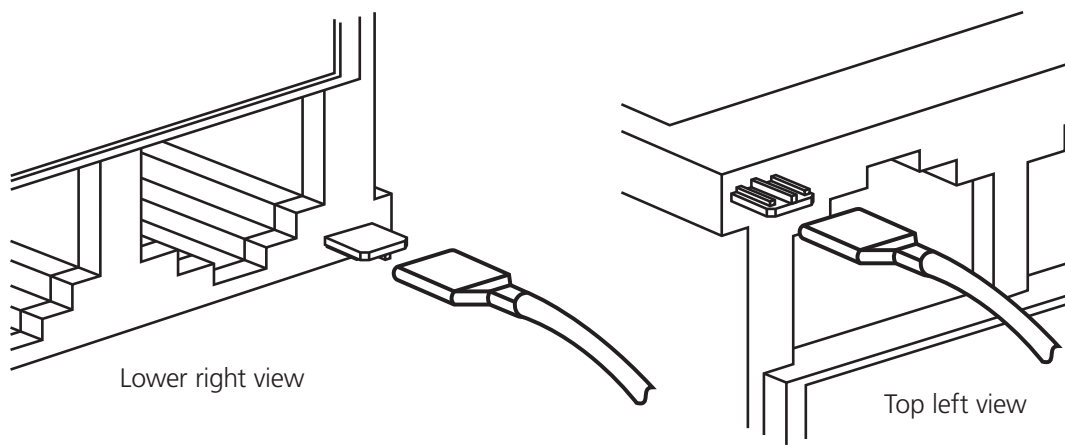


Figure 3-1. Drain wire installation options for shielded models.

- Use cable ties to secure the cables to the cable management bar. See Figure 3-2.

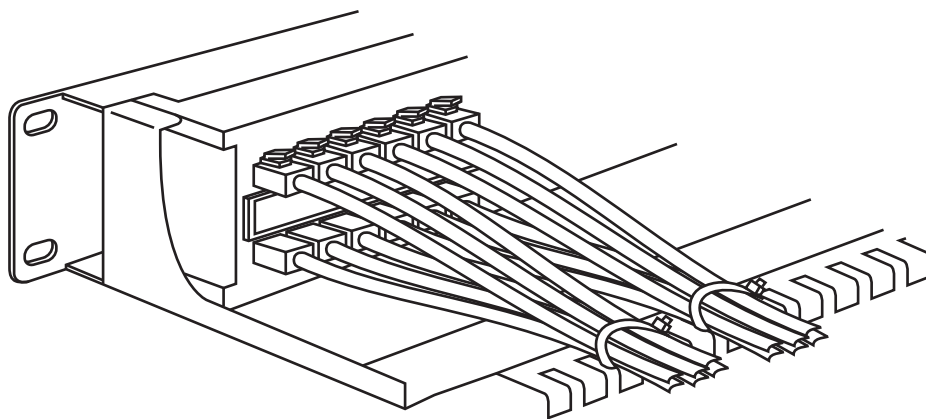


Figure 3-2. Completed installation.

We're here to help! If you have any questions about your application or our products, contact Black Box Tech Support at **724-746-5500** or go to **blackbox.com** and click on "Talk to Black Box." You'll be live with one of our technical experts in less than 20 seconds.

Black Box Tech Support: FREE! Live. 24/7.

Tech support the
way it should be.



Great tech support is just 20 seconds away at 724-746-5500 or blackbox.com.



About Black Box

Black Box Network Services is your source for more than 118,000 networking and infrastructure products. You'll find everything from cabinets and racks and power and surge protection products to media converters and Ethernet switches all supported by free, live 24/7 Tech support available in 20 seconds or less.

© Copyright 2010. All rights reserved.

724-746-5500 | blackbox.com