



**TRADEMARKS USED IN THIS MANUAL**

BLACK BOX and the Double Diamond logo are registered trademarks of BB Technologies, Inc.

*Any other trademarks mentioned in this manual are acknowledged to be the property of the trademark owners.*

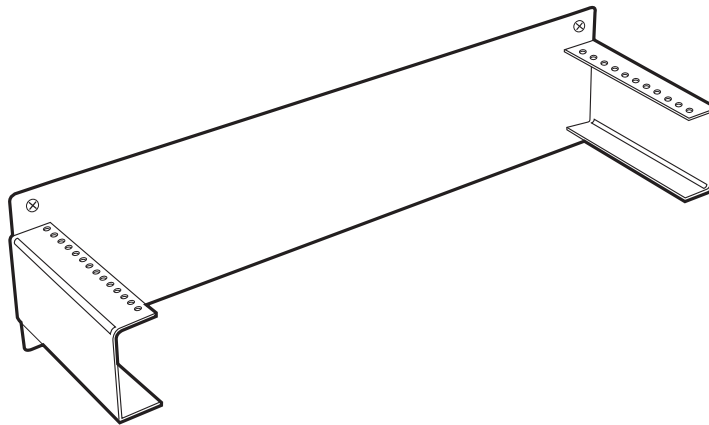
© Copyright 2008. Black Box Corporation. All rights reserved.

---

**1000 Park Drive • Lawrence, PA 15055-1018 • 724-746-5500 • Fax 724-746-0746**



# Flushmount Wall Bracket



## Features

- 14-gauge thick steel construction.
- Mounting holes conform to EIA-310 standard for 19-inch wide (48.3-cm) equipment.
- Enables equipment to be mounted flush against the wall or under a desk.
- Use in installations where space is limited.
- Durable, black, smooth, semi-gloss, powder-coat finish.

## Specifications

**Size:** RMT048: 5.5"H x 20.3"W x 5.6" (3U)D (14 x 51.5 x 14.3 cm);  
RMT052: 5.5"H x 20.3"W x 10.9" (6U)D (14 x 51.5 x 27.6 cm)

**Weight:** RMT048: 3.6 lb. (1.6 kg);  
RMT052: 4.9 lb. (2.2 kg)