



DS-102

Dual Channel RS-232 Asynchronous
Communications Adapter

for ISA compatible machines

INTERFACE CARDS FOR IBM PC/AT AND PS/2

User's Manual

QUATECH, INC.
662 Wolf Ledges Parkway
Akron, Ohio 44311

TEL: (330) 434-3154
FAX: (330) 434-1409
BBS: (330) 434-2481

Table of Contents

I. GENERAL INFORMATION	1
II. INSTALLATION	2
III. ENABLING AND ADDRESSING PORTS	4
Setting the address	4
Enabling or disabling ports	6
IV. SETTING INTERRUPT LEVELS (IRQS)	8
Interrupt Sharing	9
V. EXTERNAL CONNECTIONS	10
VI. SERIAL PORT FUNCTIONAL DESCRIPTION	14
Accessing the Serial Port registers	15
INTERRUPT ENABLE REGISTER	16
INTERRUPT IDENTIFICATION REGISTER	16
FIFO CONTROL REGISTER (16550 only)	18
LINE CONTROL REGISTER	19
MODEM CONTROL REGISTER	20
LINE STATUS REGISTER	21
MODEM STATUS REGISTER	22
SCRATCHPAD REGISTER	22
FIFO INTERRUPT MODE OPERATION (16550 UART only)	23
FIFO polled mode operation (16550 UART only)	24
BAUD RATE SELECTION	25
VII. SPECIFICATIONS	27
VIII. TROUBLESHOOTING	28

WARRANTY INFORMATION

Quatech, Inc. warrants the **DS-102** to be free of defects for **one (1) year** from the date of purchase. Quatech, Inc. will repair or replace any board that fails to perform under normal operating conditions and in accordance with the procedures outlined in this document during the warranty period. Any damage that results from improper installation, operation, or general misuse voids all warranty rights.

Please complete the following information and retain for your records. Have this information available when requesting warranty service.

DATE OF PURCHASE:

MODEL NUMBER:

DS-102

PRODUCT DESCRIPTION: Dual Channel RS-232 Asynchronous
Communications Adapter

SERIAL NUMBER:

© 1993, Quatech, Inc.

NOTICE

The information contained in this document cannot be reproduced in any form without the written consent of Quatech, Inc. Likewise, any software programs that might accompany this document can be used only in accordance with any license agreement(s) between the purchaser and Quatech, Inc. Quatech, Inc. reserves the right to change this documentation or the product to which it refers at any time and without notice.

The authors have taken due care in the preparation of this document and every attempt has been made to ensure its accuracy and completeness. In no event will Quatech, Inc. be liable for damages of any kind, incidental or consequential, in regard to or arising out of the performance or form of the materials presented in this document or any software programs that might accompany this document.

Quatech, Inc. encourages feedback about this document. Please send any written comments to the Technical Support department at the address listed on the cover page of this document.

IBM PC™, PC-AT™, PS/2™, and Micro Channel™ are trademarks of International Business Machines Corporation.

I. GENERAL INFORMATION

The Quatech, Inc. DS-102 provides two RS-232 asynchronous serial communication interfaces for IBM-compatible personal computer systems using the ISA (Industry Standard Architecture) expansion bus.

The DS-102's two serial ports are implemented using 16450 Universal Asynchronous Receiver/Transmitters (UARTs). For higher performance, 16550 UARTs can be installed in place of the 16450 UARTs. The 16550 contains a hardware buffer that reduces processing overhead. Software must be aware of the 16550 UART for the device's extra capabilities to be used, otherwise it will act as a 16450 UART. The 16550 is suggested for multitasking environments and for applications involving high data rates.

The DS-102 is highly flexible with respect to addressing and interrupt level use. The base I/O address of each serial port can be independently set anywhere within the range of 0000 hex to 07FF hex, and available interrupt levels include IRQ2 through IRQ7.

II. INSTALLATION

If the default address and interrupt settings are sufficient, the DS-102 can be quickly installed and put to use. The factory defaults are listed in Figure 1.

PORT	ADDRESS	IRQ	ENABLED ?
Serial 1	3F8 hex (COM1)	4	YES
Serial 2	2F8 hex (COM2)	3	YES

Figure 1 --- Default address and IRQ settings for DS-102

The serial port outputs on the DS-102 are CN1 and CN2, which are shielded D-9 connectors. Serial 1 is available on CN1 and Serial 2 is available on CN2.

1. If the default settings are correct, skip to step 2, otherwise refer to sections III and IV of this document for detailed information on how to set the address and IRQ level for each port, and for how to disable or enable each port.
2. Turn off the power of the computer system in which the DS-102 is to be installed.
3. Remove the system cover according to the instructions provided by the computer manufacturer.
4. Install the DS-102 in any vacant expansion slot. The board should be secured by installing the Option Retaining Bracket (ORB) screw.
5. Replace the system cover according to the instructions provided by the computer manufacturer.
6. Attach and secure the D-9 connectors to the desired equipment.

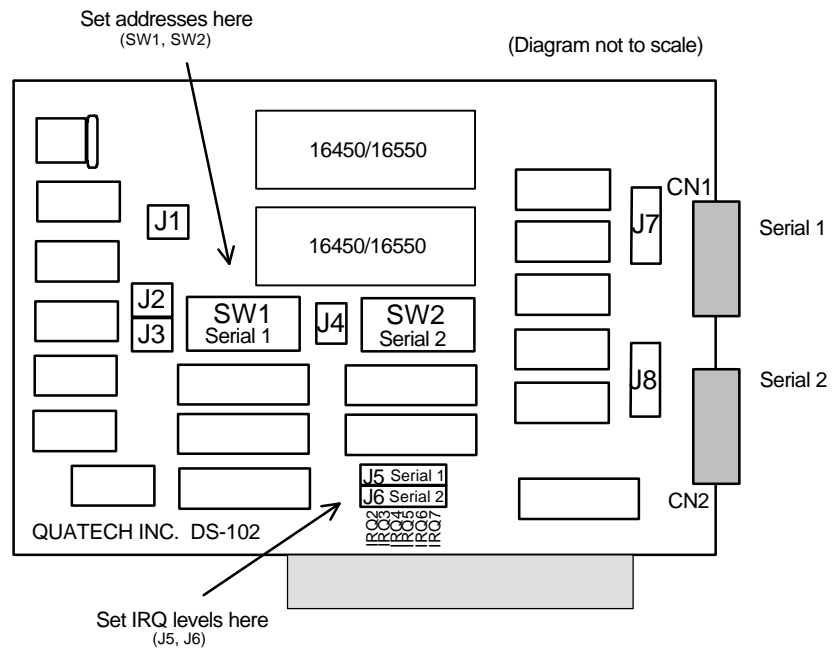


Figure 2 --- Diagram of DS-102

III. ENABLING AND ADDRESSING PORTS

Setting the address

Each serial port on the DS-102 uses 8 consecutive I/O locations in the range of 0000 hex to 07FF hex. The base address of each port is set using a DIP switch pack on the DS-102. When setting the address selection switches, a switch in the "ON" position specifies that the corresponding address line must be a logic 0 for the port to be selected. Similarly, a switch in the "OFF" position forces the corresponding address line to be a logic 1 for the port to be selected.

Switch SW1 selects address lines A10 through A3 for Serial 1. Switch SW2 serves the same purpose with respect to Serial 2. The remaining address lines (A2, A1 and A0) are used by the UART to select the register being accessed. Address lines A11 through A15 must be at logic 0 for a port to be selected. The serial ports may be independently enabled or disabled by installing or removing a jumper from jumper pack J4.

Figure 3 shows how the switches on the DS-102 represent the address values for serial ports. This figure can be used to explain the examples shown in Figure 4.

A serial port's address is a 16-bit quantity that is most often expressed in four hexadecimal (base 16) digits. A hex digit can hold a value from 0 to 15 (decimal), and is made up of four binary bits given weights of eight, four, two, and one, hence the maximum value of $8+4+2+1 = 15$.

A common serial port address is 03F8 hex. The example below shows how the hex digits are broken down into binary bits.

Binary bits	0 0 0 0	0 0 1 1	1 1 1 1	1 0 0 0
Bit weight	8 4 2 1	8 4 2 1	8 4 2 1	8 4 2 1
Sum of bits	0+0+0+0	0+0+2+1	8+4+2+1	8+0+0+0
Hex digits	0	3	F	8

These address bits are set by the switches.
All other bits are considered to be zero.

0 0 0 0 0 0 1 1 1 1 1 1 1 0 0 0

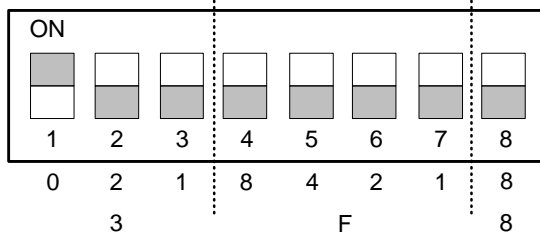
Figure 3 --- Examination of a serial port base address



Serial 1 uses SW1
Serial 2 uses SW2

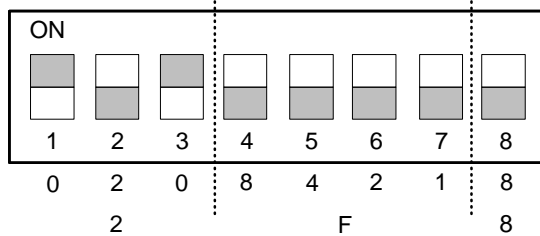
Factory default setting for Serial 1 --- 03F8 hex (COM1)

SW1

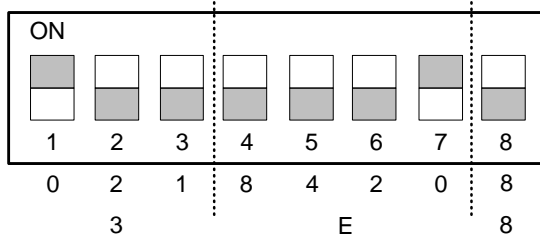


Factory default setting for Serial 2 --- 02F8 hex (COM2)

SW2



Example: 03E8 hex (typical for COM3)



Example: 02E8 hex (typical for COM4)

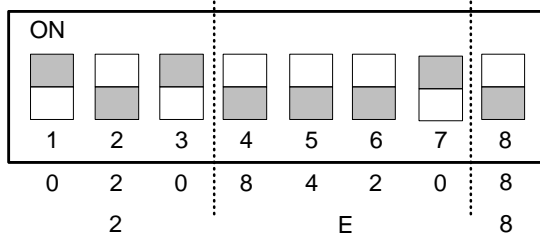


Figure 4 --- Serial Port base I/O address selection switches

The standard addresses for serial ports COM1 and COM2 are listed in Figure 5. Recommended addresses for serial ports COM3 and COM4 are also listed. The switch settings for these addresses are shown in Figure 4.

PORT	TYPICAL I/O ADDRESS	NOTES
COM1	03F8 hex	Factory default for Serial 1.
COM2	02F8 hex	Factory default for Serial 2.
COM3	03E8 hex	Recommendations only. No official standards exist for COM3 and COM4.
COM4	02E8 hex	

Figure 5 --- Recommended addresses for serial ports

Enabling or disabling ports

Each port of the DS-102 may be individually enabled or disabled. To enable a port, install a jumper between the appropriate pins of jumper pack J4. To disable a port, remove the appropriate jumper from J4. This is illustrated in Figure 6 below.

The factory default configuration is both serial ports enabled.

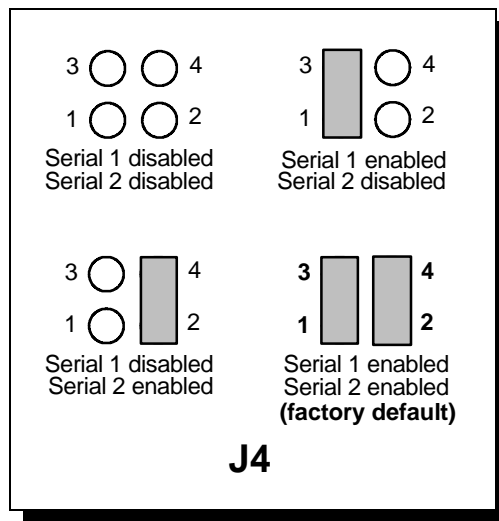


Figure 6 --- Enabling and disabling ports

(This page intentionally left blank.)

IV. SETTING INTERRUPT LEVELS (IRQS)

The DS-102 interrupt circuitry allows each port to use any interrupt level in the range IRQ2 through IRQ7. The interrupt levels are selected using jumper packs J5 for Serial 1 and J6 for Serial 2. In Figure 7, the factory default settings for Serial 1 and Serial 2 are shown.

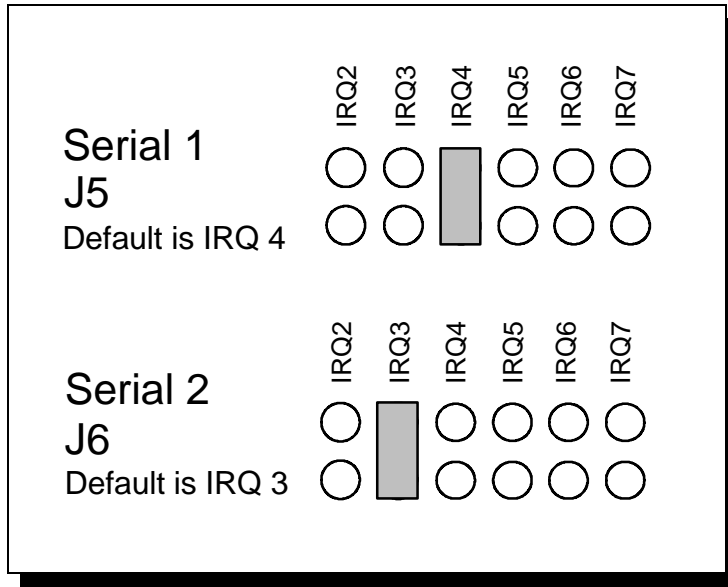


Figure 7 --- Interrupt level (IRQ) selection

Interrupt Sharing

An interrupt sharing circuit allows a port on the DS-102 to share an interrupt with the other port on the board or with another Quatech adapter supporting sharable interrupts. When interrupt sharing is used, the software must query each port attached to a given IRQ level when an interrupt for that IRQ is received by the computer.

Use of this feature is beyond the capabilities of most commercial applications. If the software to be used with the DS-102 is not specially written to take advantage of interrupt sharing, then ensure that each port being used is connected to a different IRQ level.

Interrupt sharing is controlled by jumper J2 as described by Figure 8 and Figure 9. To maintain 100% ISA bus compatibility, these jumpers should be set to the dedicated interrupt level positions.

CHANNEL	CONNECTION	INTERRUPT OPERATION
Serial 1	J2: 2-3 and 5-6	Dedicated interrupt level (default)
	J2: 1-2 and 4-5	Interrupt sharing enabled
Serial 2	J3: 2-3 and 5-6	Dedicated interrupt level (default)
	J3: 1-2 and 4-5	Interrupt sharing enabled

Figure 8 --- Interrupt sharing modes

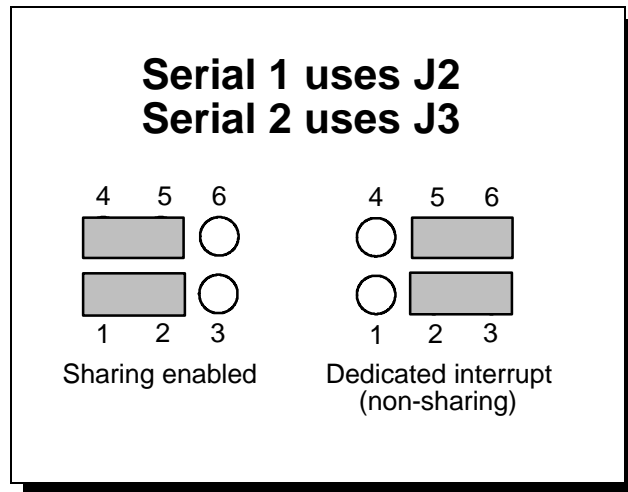


Figure 9 --- J2, J3 settings

V. EXTERNAL CONNECTIONS

RS-232-C devices are classified by their function as either Data Terminal Equipment (DTE) or Data Communication Equipment (DCE). Generally, data terminal equipment is defined as the communication source and data communication equipment is defined as the device that provides a communication channel between two DTE-type devices.

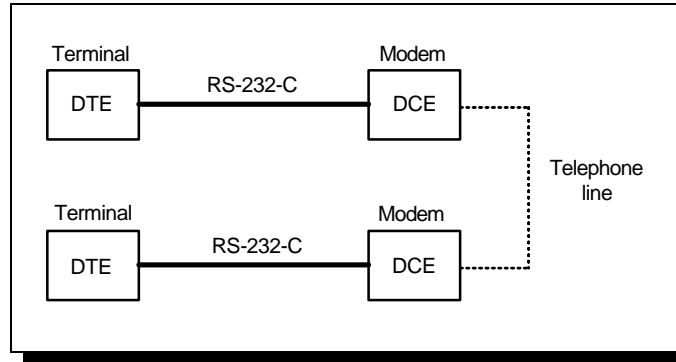


Figure 10 --- Use of DTEs and DCEs in a communications link

DTE- and DCE-type devices have complementary pinouts to allow terminals and modems to be connected directly using a one-to-one cable as shown in Figure 11. In many applications, DCEs are unnecessary, and in these cases a cable called a "null modem cable" or "modem eliminator cable" is used to directly connect two DTE-type devices. A typical null modem cable is also shown in Figure 11.

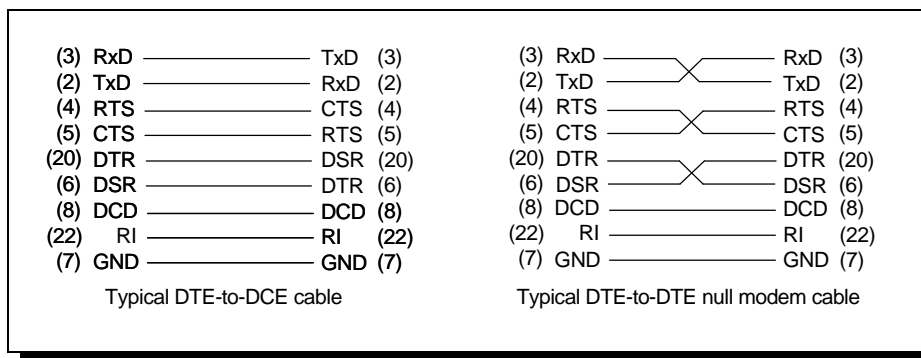


Figure 11 --- Cabling requirements for RS-232-C devices
(cables using 25-pin connectors shown)

To simplify connections to other devices, each port on the DS-102 is equipped with a jumper block that allows the port to be configured as either a DTE- or DCE-type device. This allows the DS-102 to communicate with either DTE- or DCE-type devices without using a null modem cable. J7 is used for Serial 1 and J8 is used for Serial 2. The DTE/DCE selection jumper blocks are illustrated in Figure 12.

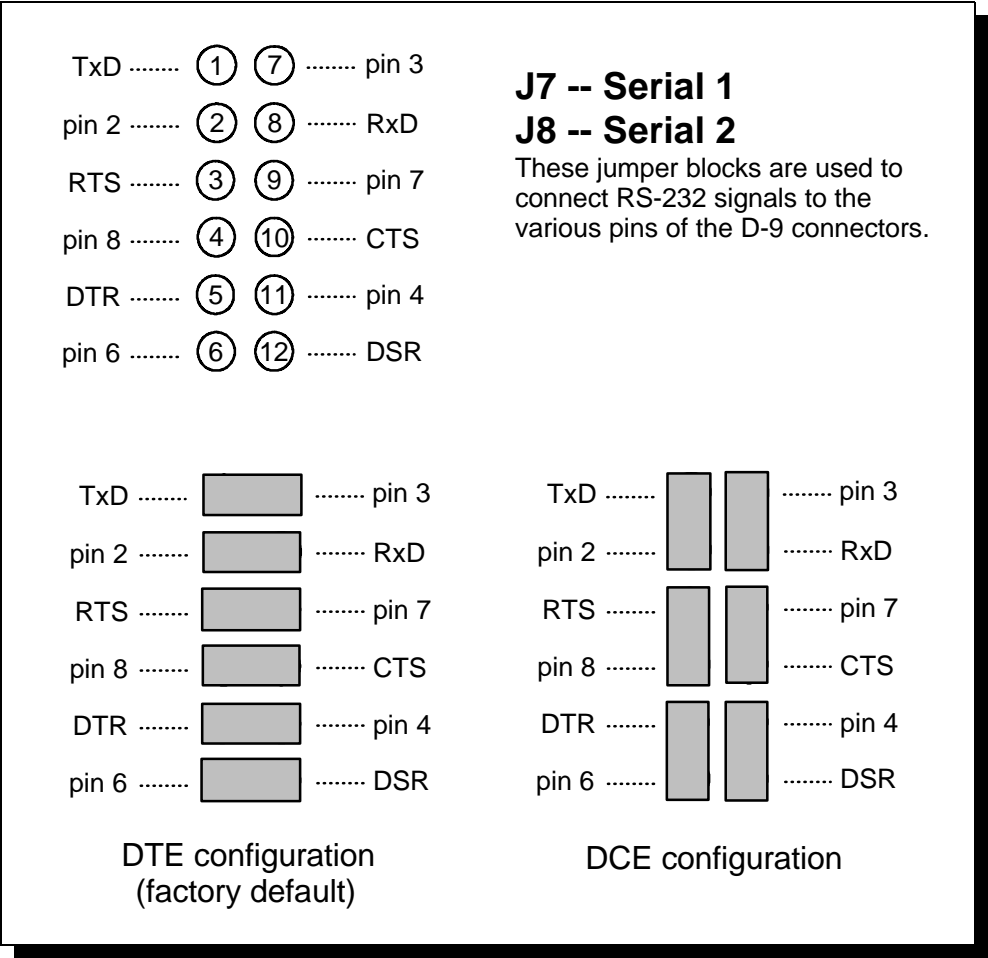


Figure 12 --- DTE or DCE output selection (Jumpers J7 and J8)

The DS-102 connects to peripheral equipment through male D-9 connectors. Adapters are available to convert these connectors into standard D-25 male connectors. The standard serial port connections are listed in Figure 13.

RS-232 Signal Description	DTE Connection		DCE Connection	
	D-9	D-25	D-9	D-25
Data Carrier Detect (DCD)	1	8	1	8
Receive Data (RxD)	2	3	3	2
Transmit Data (TxD)	3	2	2	3
Data Terminal Ready (DTR)	4	20	6	6
Signal Ground	5	7	5	7
Data Set Ready (DSR)	6	6	4	20
Request To Send (RTS)	7	4	8	5
Clear To Send (CTS)	8	5	7	4
Ring Indicator (RI)	9	22	9	22

Figure 13 --- DS-102 connector definitions for RS-232-C

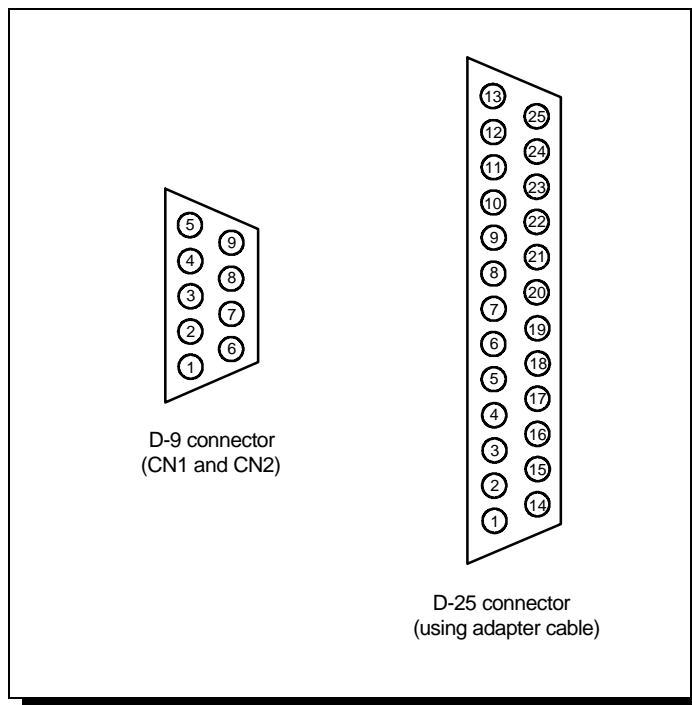


Figure 14 --- DS-102 Output connectors

(This page intentionally left blank.)

VI. SERIAL PORT FUNCTIONAL DESCRIPTION

This section contains information intended for advanced users planning to do custom programming with the DS-102. The information presented here is a technical description of the interface to the 16450 or 16550 UART.

The 16450 UART is an improved functional equivalent of the 8250 UART, performing serial-to-parallel conversion on received data and parallel-to-serial conversion on output data. Designed to be compatible with the 16450, the 16550 UART enters character (non-FIFO) mode on reset. In this mode, the 16550 appears as a 16450 to application software.

An additional mode, FIFO mode, can be invoked through software to reduce CPU overhead. FIFO mode increases performance by providing two 16-byte hardware buffers, one for transmit and one for receive. This can reduce the frequency of interrupts issued to the CPU by the UART.

Other features of the 16450 and 16550 include:

- | Programmable baud rate, character length, parity, and number of stop bits.
- | Automatic control of start, stop, and parity bits.
- | Independent and prioritized interrupts.
- | Transmit clock output / receive clock input.

The DS-102's serial ports are controlled by the 16450 or 16550 UARTs labeled U7 and U8. The serial ports will generate interrupts in accordance with the bits set in the interrupt enable register of the UARTs. In order to maintain compatibility with earlier personal computer systems, the user-defined output OUT2 is used as an external interrupt enable and must be set active for interrupts to be acknowledged. OUT2 is accessed through the UART's MODEM control register.

The following pages provide a brief summary of the internal registers available within the 16450 and 16550 UARTs. Registers and functions specific to the 16550 will be indicated with ***boldface italic*** notations.

Accessing the Serial Port registers

Figure 15 lists the address map for the 16450 and 16550 UARTs. Each register can be accessed by reading from or writing to the proper I/O address. This I/O address is determined by adding an offset to the base address set for the particular serial port. The base address is set using DIP switches on the DS-102 (see section III).

Notice that two locations access different registers depending on whether an I/O read or I/O write is attempted. Address [base+0] accesses the receive buffer on an I/O read, or the transmit buffer on an I/O write. Address [base+2] accesses the Interrupt Identification register on an I/O read or the FIFO control register (**16550 only**) on an I/O write. Also, notice that if address [base+0] or [base+1] is used with the DLAB bit from the Line Control Register set to '1', the baud rate divisor latches are accessed.

NOTE: All figures displaying bitmapped registers are formatted such that bit 7 is the high-order bit.

UART Addressing		Register Description
DLAB	I/O Address	
0	Base + 0	Receive buffer (read) Transmit holding register (write)
0	Base + 1	Interrupt enable
X	Base + 2	Interrupt identification (read) (16450 and 16550) FIFO control (write) (16550 only)
X	Base + 3	Line control
X	Base + 4	MODEM control
X	Base + 5	Line status
X	Base + 6	MODEM status
X	Base + 7	Scratchpad
1	Base + 0	Baud rate divisor latch (LSB) *
1	Base + 1	Baud rate divisor latch (MSB) *
(X = don't care)		
* DLAB in Line Control Register must be set to access baud rate divisor latch.		

Figure 15 --- Serial port register address map for 16450/16550 UART

INTERRUPT ENABLE REGISTER

This register is located at I/O address [base+1]. It enables the five types of UART interrupts. Interrupts can be totally disabled by setting all of the enable bits in this register to a logic 0. Setting any bit to a logic 1 enables that particular interrupt.

BIT	DESCRIPTION
7	0 --- reserved
6	0 --- reserved
5	0 --- reserved
4	0 --- reserved
3	EDSSI --- MODEM Status Interrupt: When set (logic 1), enables interrupt on clear to send, data set ready, ring indicator, and data carrier detect.
2	ELSI --- Receiver Line Status Interrupt: When set (logic 1), enables interrupt on overrun, parity, framing errors, and break indication.
1	ETBEI --- Transmitter Holding Register Empty Interrupt: When set (logic 1), enables interrupt on transmitter holding register empty.
0	ETBEI --- Received Data Available Interrupt: When set (logic 1), enables interrupt on received data available. For 16550 FIFO mode interrupts are also enabled for receive FIFO trigger level reached and for receive timeout.

Figure 16 --- Interrupt Enable Register bit definitions

INTERRUPT IDENTIFICATION REGISTER

This read-only register is located at I/O address [base+2]. When this register is read, the UART freezes all interrupts and indicates the highest priority interrupt. During this time, new interrupts are detected by the UART, but are not reported in this register until the access completes.

For the **16550 only**, this register can be used to indicate whether the FIFO mode is engaged by examining bits 6 and 7.

BIT	DESCRIPTION
7	FFE --- FIFO enable: (16550 only) When logic 1, indicates FIFO mode enabled. Always logic 0 for the 16450.
6	FFE --- FIFO enable: (16550 only) When logic 1, indicates FIFO mode enabled. Always logic 0 for the 16450.
5	0 --- reserved
4	0 --- reserved
3	IID2 --- Interrupt Identification:
2	IID1 --- Indicates highest priority interrupt pending if any. See Figure 18. NOTE: IID2 is always a logic 0 on the 16450 or in non-FIFO mode
1	IID0 --- on the 16550.
0	IP --- Interrupt pending: When logic 0, indicates that an interrupt is pending and the contents of the interrupt identification register may be used to determine the interrupt source. See Figure 18.

Figure 17 --- Interrupt Identification Register bit definitions

Figure 18 gives the detail of the IIDx bits in the Interrupt Identification Register. These bits are examined to determine the source of an interrupt.

IIDx bits			IP	Priority	Interrupt Type
2	1	0			
don't	care		1	N/A	None
0	1	1	0	1st	Receiver Line Status: Indicates overrun, parity, framing errors or break interrupts. The interrupt is cleared by reading the line status register.
0	1	0	0	2nd	Received Data Ready (16450 or 16550): Indicates receive data available. The interrupt is cleared by reading the receive buffer. In 16550 FIFO mode , indicates the receiver FIFO trigger level has been reached. The interrupt is reset when the FIFO drops below the trigger level.
1	1	0	0	2nd	Character Timeout (16550 FIFO mode only) Indicates no characters have been removed from or input to the receiver FIFO for the last four character times and there is data present in the receiver FIFO. The interrupt is cleared by reading the receiver FIFO.
0	0	1	0	3rd	Transmitter Holding Register Empty: Indicates the transmitter holding register is empty. The interrupt is cleared by reading the interrupt identification register or writing to the transmitter holding register. (Indicates transmit FIFO empty for 16550.)
0	0	0	0	4th	MODEM Status: Indicates clear to send, data set ready, ring indicator, or data carrier detect have changed state. The interrupt is cleared by reading the MODEM status register.

Figure 18 --- IIDx bit decoding

FIFO CONTROL REGISTER (*16550 only*)

This register, which applies only to the 16550 UART, is a write-only register located at I/O address [base+2]. It is used to enable the FIFO mode, clear the FIFOs, set the threshold level for the receive FIFO to generate interrupts, and to set the mode under which the device uses DMA. Note that DMA mode is NOT supported by the DS-102 adapter.

BIT	DESCRIPTION		
7	RXT1 ---	Receiver FIFO Trigger Level (<i>16550 only</i>)	
6	RXT0 ---	Determines the trigger level for the receiver FIFO interrupt	
		<u>RXT1</u>	<u>RXT0</u>
			<u>Receiver FIFO trigger level (bytes)</u>
		0	0
		0	1
		1	0
		1	1
5	0 --- reserved		
4	0 --- reserved		
3	DMAM --- DMA mode select (<i>16550 only</i>) When set (logic 1), RxRDY and TxRDY change from mode 0 to mode 1 for DMA transfers. (DMA mode is not supported on the DS-102.)		
2	XRST --- Transmit FIFO reset (<i>16550 only</i>) When set (logic 1), all bytes in the transmitter FIFO are cleared and the counter is reset. The shift register is not cleared. XRST is self-clearing.		
1	RRST --- Receive FIFO reset (<i>16550 only</i>) When set (logic 1), all bytes in the receiver FIFO are cleared and the counter is reset. The shift register is not cleared. RRST is self-clearing.		
0	FE --- FIFO enable (<i>16550 only</i>) When set (logic 1), enables transmitter and receiver FIFOs. When cleared (logic 0), all bytes in both FIFOs are cleared. This bit must be set when other bits in the FIFO control register are written to or the bits will be ignored.		

Figure 19 --- 16550 FIFO Control Register bit definitions

LINE CONTROL REGISTER

This register is located at I/O address [base+3]. It is used for specifying the format of the asynchronous serial data to be processed by the UART, and to set the Divisor Latch Access Bit (DLAB) allowing access to the baud rate divisor latches.

BIT	DESCRIPTION																																																	
7	DLAB --- Divisor latch access bit: DLAB must be set to logic 1 to access the baud rate divisor latches. DLAB must be set to logic 0 to access the receiver buffer, transmitting holding register and interrupt enable register.																																																	
6	BKCN --- Break control: When set (logic 1), the serial output (SOUT) is forced to the spacing state (logic 0).																																																	
5	STKP --- Stick parity: Forces parity to logic 1 or logic 0 if parity is enabled. EPS --- Even parity select: Selects even or odd parity if parity is enabled. PEN --- Parity enable: Enables parity on transmission and verification on reception.	<table border="1"> <thead> <tr> <th>STKP</th> <th>EPS</th> <th>PEN</th> <th colspan="2">PARITY</th> </tr> </thead> <tbody> <tr> <td>x</td> <td>x</td> <td>0</td> <td colspan="2">None</td> </tr> <tr> <td>0</td> <td>0</td> <td>1</td> <td colspan="2">Odd</td> </tr> <tr> <td>0</td> <td>1</td> <td>1</td> <td colspan="2">Even</td> </tr> <tr> <td>1</td> <td>0</td> <td>1</td> <td colspan="2">Logic 1</td> </tr> <tr> <td>1</td> <td>1</td> <td>1</td> <td colspan="2">Logic 0</td> </tr> </tbody> </table>				STKP	EPS	PEN	PARITY		x	x	0	None		0	0	1	Odd		0	1	1	Even		1	0	1	Logic 1		1	1	1	Logic 0																
STKP		EPS	PEN	PARITY																																														
x		x	0	None																																														
0		0	1	Odd																																														
0	1	1	Even																																															
1	0	1	Logic 1																																															
1	1	1	Logic 0																																															
4.00																																																		
0																																																		
3																																																		
2	STB --- Number of stop bits: Sets the number of stop bits transmitted.	<table border="1"> <thead> <tr> <th>STB</th> <th>WLS1</th> <th>WLS0</th> <th>WORD LEN</th> <th>STOP BITS</th> </tr> </thead> <tbody> <tr> <td>0</td> <td>0</td> <td>0</td> <td>5 bits</td> <td>1</td> </tr> <tr> <td>0</td> <td>0</td> <td>1</td> <td>6 bits</td> <td>1</td> </tr> <tr> <td>0</td> <td>1</td> <td>0</td> <td>7 bits</td> <td>1</td> </tr> <tr> <td>0</td> <td>1</td> <td>1</td> <td>8 bits</td> <td>1</td> </tr> <tr> <td>1</td> <td>0</td> <td>0</td> <td>5 bits</td> <td>1.5</td> </tr> <tr> <td>1</td> <td>0</td> <td>1</td> <td>6 bits</td> <td>2</td> </tr> <tr> <td>1</td> <td>1</td> <td>0</td> <td>7 bits</td> <td>2</td> </tr> <tr> <td>1</td> <td>1</td> <td>1</td> <td>8 bits</td> <td>2</td> </tr> </tbody> </table>				STB	WLS1	WLS0	WORD LEN	STOP BITS	0	0	0	5 bits	1	0	0	1	6 bits	1	0	1	0	7 bits	1	0	1	1	8 bits	1	1	0	0	5 bits	1.5	1	0	1	6 bits	2	1	1	0	7 bits	2	1	1	1	8 bits	2
STB		WLS1	WLS0	WORD LEN	STOP BITS																																													
0		0	0	5 bits	1																																													
0		0	1	6 bits	1																																													
0		1	0	7 bits	1																																													
0		1	1	8 bits	1																																													
1		0	0	5 bits	1.5																																													
1		0	1	6 bits	2																																													
1	1	0	7 bits	2																																														
1	1	1	8 bits	2																																														
1	WLS1 --- Word length select: Determines the number of bits per transmitted word.																																																	
0		WLS0 ---																																																

Figure 20 --- Line Control Register bit definitions

MODEM CONTROL REGISTER

This register is located at I/O address [base+4], and is used to control the interface with the modem or device used in place of a modem. This register allows the states of the "modem control signals" to be changed. These are DTR (Data Terminal Ready) and RTS (Request To Send). It is also possible to place the UART in a loopback mode for testing. Finally, the user-defined outputs OUT1 and OUT2 are controlled from this register.

The DS-102 handles the OUT1 and OUT2 signals in the manner appropriate for maintaining compatibility with standard PC serial ports:

- | The OUT1 output is not connected.
- | The OUT2 output is used to globally enable interrupts to the computer. It should be active at all times if interrupts are being used.

BIT	DESCRIPTION
7	0 --- reserved
6	0 --- reserved
5	0 --- reserved
4	LOOP --- Loopback enable: When set (logic 1), the transmitter shift register is connected directly to the receiver shift register. The MODEM control inputs are internally connected to the MODEM control outputs and the outputs are forced to the inactive state. All characters transmitted are immediately received to verify transmit and receive data paths. Transmitter and receiver interrupts still operate normally. MODEM control interrupts are available but are now controlled through the MODEM control register.
3	OUT2 --- Output 2: When this bit is set (logic 1), the OUT2 output is forced active to a logic 0. When cleared (logic 0), the OUT2 output is forced inactive to a logic 1. Used for interrupt enable on the DS-102.
2	OUT1 --- Output 1: When this bit is set (logic 1), the OUT1 output is forced active to a logic 0. When cleared (logic 0), the OUT1 output is forced inactive to a logic 1. Not connected on the DS-102.
1	RTS --- Request to send: When this bit is set (logic 1), the RTS output is forced active to a logic 0. When cleared (logic 0), the RTS output is forced inactive to a logic 1.
0	DTR --- Data terminal ready: When this bit is set (logic 1), the DTR output is forced active to a logic 0. When cleared (logic 0), the DTR output is forced inactive to a logic 1.

Figure 21 --- Modem Control Register bit definitions

LINE STATUS REGISTER

This register is located at I/O address [base+5]. It is used to provide various types of status information concerning the data transfer. As Figure 22 shows, the Line Status Register indicates several types of errors, an empty transmit buffer, a ready receive buffer, or a break on the receive line.

BIT	DESCRIPTION
7	FFRX --- Error in RCVR FIFO (16550 FIFO mode only) Always logic 0 in 16450 or 16550 non-FIFO mode. Indicates one or more parity errors, framing errors, or break indications in the receiver FIFO. FFRX is reset by reading the line status register.
6	TEMT --- Transmitter empty: Indicates the transmitter holding register or FIFO (16550) AND the transmitter shift register are empty and are ready to receive new data. TEMT is reset by writing a character to the transmitter holding register.
5	THRE --- Transmitter holding register empty: Indicates the transmitter holding register or FIFO (16550) is empty and it is ready to accept new data. THRE is reset by writing data to the transmitter holding register.
4	BI --- Break interrupt: Indicates the receive data input has been in the spacing state (logic 0) for longer than one full word transmission time. In 16550 FIFO mode only one zero character is loaded into the FIFO and transfers are disabled until the serial data input goes to the mark state (logic 1) and a valid start bit is received.
3	FE --- Framing error: Indicates the received character had an invalid stop bit. The stop bit following the last data or parity bit was a 0 bit (spacing level).
2	PE --- Parity error: Indicates that the received data does not have the correct parity.
1	OE --- Overrun error: Indicates the receive buffer was not read before the next character was received and the character is destroyed. In 16550 FIFO mode indicates the receive FIFO is full and another character has been shifted in. The character in the shift register is destroyed but is not transferred to the FIFO.
0	DR --- Data ready: Indicates data is present in the receive buffer or FIFO (16550). DR is reset by reading the receive buffer register or receiver FIFO.

Figure 22 --- Line Status Register bit definitions

Bits BI, FE, PE, and OE are the sources of receiver line status interrupts. The bits are reset by reading the line status register. **In 16550 FIFO mode**, these bits are associated with a specific character in the FIFO and the exception is revealed only when that character reaches the top of the FIFO.

MODEM STATUS REGISTER

This register is located at I/O address [base+6]. It reports on the status of signals coming from the modem or equipment used in place of a modem. It allows the current states of "modem control signals" to be sensed. These signals include the DCD (Data Carrier Detect), RI (Ring Indicator), DSR (Data Set Ready), and CTS (Clear To Send).

The Modem Status Register also provides change information for each of these signals. When a modem control signal changes state, the appropriate change bit is set to logic 1. The change bits (3, 2, 1, and 0) are reset to logic 0 whenever the Modem Status Register is read.

A modem status interrupt is generated whenever any of bits 3, 2, 1 or 0 is set by the UART to a logic 1.

BIT	DESCRIPTION
7	DCD --- Data carrier detect: Complement of the DCD input.
6	RI --- Ring indicator: Complement of the RI input.
5	DSR --- Data set ready: Complement of the DSR input.
4	CTS --- Clear to send: Complement of the CTS input.
3	DDCD --- Delta data carrier detect: Indicates the Data Carrier Detect input has changed state. Cleared when this register is read.
2	TERI --- Trailing edge ring indicator: Indicates the Ring Indicator input has changed from a low to a high state. Cleared when this register is read.
1	DDSR --- Delta data set ready: Indicates the Data Set Ready input has changed state. Cleared when this register is read.
0	DCTS --- Delta clear to send: Indicates the Clear to Send input has changed state. Cleared when this register is read.

Figure 23 --- Modem Status Register bit definitions

SCRATCHPAD REGISTER

This register is located at I/O address [base+7]. It is not used by the 16450 or 16550. It may be used by the programmer for temporary data storage. The Scratchpad Register is eight bits wide and can be read or written.

FIFO INTERRUPT MODE OPERATION (16550 UART only)

When the receiver FIFO and receiver interrupts are enabled:

1. The receive data interrupt is issued when the receive FIFO reaches the trigger level. The interrupt is cleared as soon as the receive FIFO falls below the trigger level.
2. The Interrupt Identification Register's receive data available indicator is set and cleared along with the receive data interrupt when the receive FIFO falls below the trigger level.
3. The data ready indicator is set as soon as a character is transferred into the receiver FIFO and is cleared when the FIFO is empty.
4. A FIFO timeout interrupt will occur if the receive FIFO contains at least one character, at least four character-times have passed since receipt of the last character, and the last read of the FIFO by the CPU was done more than four character-times ago.
5. Timeout interrupts are cleared when a read of the receive FIFO is done.
6. The receive FIFO timeout timer is reset whenever a new character is received into the FIFO or a read of the FIFO is done.

When the transmit FIFO and transmit interrupts are enabled:

1. The transmitter holding register empty interrupt occurs when the transmit FIFO is empty, and is cleared when a character is written to the FIFO or when the Interrupt Identification Register is read.
2. Transmitter FIFO empty indications are delayed by one character-time less the last stop bit time when the transmitter holding register is empty and there have not been at least two bytes together in the transmit FIFO since the last time the transmitter holding register was empty.
3. The first transmitter interrupt after enabling the FIFO mode will be immediate if that interrupt is enabled.

FIFO polled mode operation (16550 UART only)

The receiver and transmitter are operated independently, which would allow either or both to be used in a polled mode rather than using interrupts to determine when the UART needs to be serviced.

To use the UART in a polled mode, the software is responsible for continuously checking for the conditions that normally cause interrupts to occur. This would be done using the Line Status Register.

1. The Data Ready bit will be set to logic 1 whenever there is at least one byte in the receive FIFO.
2. Errors can be detected using the various error bits.
3. The Transmitter Holding Register Empty bit can be used to determine when the transmit FIFO is empty.
4. The Transmitter Empty bit indicates that the transmitter shift register is empty as well as the transmit FIFO being empty.
5. Trigger levels and FIFO timeouts do not apply. Both FIFOs are fully capable of holding multiple characters at any time.

BAUD RATE SELECTION

The 16450 or 16550 UART determines the baud rate of the serial output using a combination of the clock input frequency and the value written to the divisor latches. Standard personal computer serial interfaces use an input clock of 1.8432 MHz. To increase versatility, the DS-102 uses an 18.432 MHz crystal and a frequency divider circuit to produce the standard clock frequency.

Jumper block J1 is used to set the frequency input to the UART. It may be connected to divide the clock input by 1, 2, 5, or 10. A table of baud rates available using the 1.8432 MHz input is given in Figure 25.

For compatibility with standard serial ports, J1 should be configured to divide by 10 as shown in Figure 24(d).

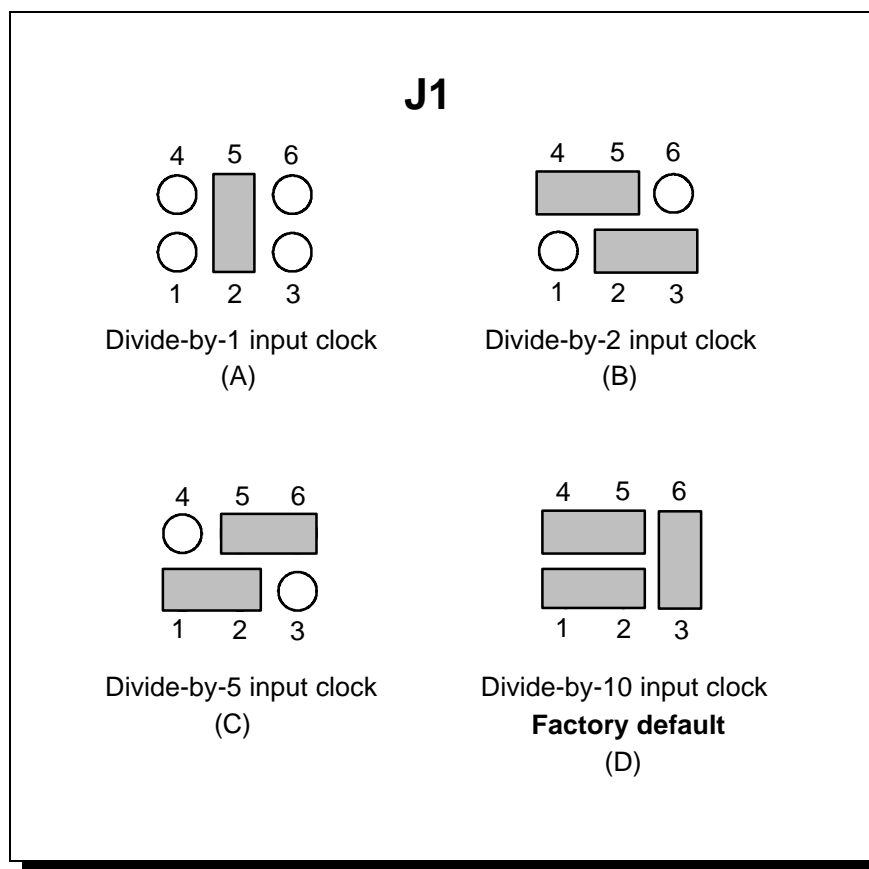


Figure 24 --- Input clock frequency options

DESIRED BAUD RATE	DIVISOR LATCH VALUE	ERROR BETWEEN DESIRED AND ACTUAL VALUES (%)
50	2304	-
75	1536	-
110	1047	0.026
150	768	-
300	384	-
600	192	-
1200	96	-
1800	64	-
2000	58	0.69
2400	48	-
3600	32	-
4800	24	-
7200	16	-
9600	12	-
19200	6	-
38400	3	-
56000	2	2.86

Figure 25 --- Divisor Latch settings for common baud rates using 1.8432 MHz input clock

VII. SPECIFICATIONS

Bus interface: Industry Standard Architecture (ISA)
8-bit bus

Serial ports

Controller: 16450 (**16550 optional**)
Interface: Two male D-9 connectors
Two male D-25 connectors
optional using adapter cables

Transmit drivers: MC1488 or compatible
High level output voltage: +9V min, +10.5V max
Low level output voltage: -9V min, -10.5V max
Switching speed: 55ns typ, 100ns max

Receive buffers: MC1489 or compatible
High level input voltage: +3V to +13V
Low level input voltage: -3V to -13V
Switching speed: 120ns typ, 175ns max

I/O Address range: 0000H - 07FFH
Interrupt levels: IRQ2 through IRQ7

Power requirements

+5 volts: 390 mA typ, 443 mA max
+12 volts: 38 mA typ, 46 mA max
-12 volts: 36 mA typ, 43 mA max

VIII. TROUBLESHOOTING

Listed here are some common problems and frequent causes of those problems. Suggestions for corrective action are given. If the information here does not provide a solution, contact Quatech Customer Service for technical support.

Any unauthorized repairs or modifications will void the DS-102's warranty.

Computer will not boot up.

1. Is the DS-102 properly inserted? Remove the card and try again. Perhaps try a different expansion slot.
2. Is the base address correctly set? Check for address conflicts with other devices in the system. Set a different address if necessary.
3. The DS-102 may be defective. Contact Quatech Customer Service for instructions.

Cannot communicate with other equipment.

1. Are the cable connections correct? Are the cables securely attached?
2. Are the base address and interrupt level (IRQ) for the port correctly set? Check for address and IRQ conflicts with other devices in the system. Change the settings if necessary.
3. Are the DTE/DCE configuration jumpers properly set? If you are trying to communicate with a DTE, a null-modem cable may be required, or the DS-102 can be set for DCE output.
4. If possible, use a loopback connector to test the port. This connector needs to connect the following sets of signals:

TxD and RxD (pins 2 and 3)

RTS and CTS (pins 7 and 8)

DCD, DTR, DSR, and RI (pins 1, 4, 6, and 9)

DS-102 Dual Channel RS-232 Asynchronous Communications Adapter
User's Manual
Revision 3.00 August 13, 1993