

**TOSHIBA** International Corp

**REMOTE STATUS ALARM PANEL**

**RSAP**

**INSTALLATION/INSTRUCTION MANUAL**

**Table of Contents**

**Physical Characteristics..... 3**

**Installation Instructions..... 3**

**Operating Instructions..... 4**

**Remote Monitor Closed (Figure 1.0)..... 5**

**Remote Monitor Closed Hardwire (Figure 1.1)..... 6**

**Terminal Block Description (Figure 2.0)..... 7**

**Terminal Block Description (Figure 2.1).....8**

**Remote Monitor Open (Figure 3.0)..... 9**

**Remote Monitor Open Hardwired (Figure 3.1)..... 10**

**Remote Monitor Conduit Access (Figure 4.0)..... 11**

**Figure G8000..... 12**

**Figure 4200FA 15-50Kva..... 13**

**Figure 4200FA 80kVA.....14**

## **Physical Characteristics**

Weight: 10lbs  
Height: 8 inches  
Width: 8 inches  
Depth: 4.8 inches

## **Installation**

1. Locate the area where the Remote Status Alarm Panel (RSAP) will be installed. The monitor should be within 1000 feet from the UPS.
2. Mount the monitor to the wall using the four pre-drilled holes in the back. Use appropriate hardware for the installation.
3. Wiring requirements are: 7 twisted pair 16 AWG cable run in metal conduit. Preferred use of Belden Catalog No. 1485 (8 twisted pair) or equivalent. All electrical and mechanical connections to be made per local and /or national electric codes.
4. Connect the conduit to the RSAP by punching the appropriately sized hole in a convenient location.
5. Referring to Figure 2.0, 3.0 and the corresponding UPS wiring diagram, connect the seven (7) pairs of twisted wire from the RSAP to the customer accessible alarm contact terminal bar in the UPS module. (Refer to UPS manual for location)
6. Referring to Figure 3.0, install (6) AA batteries. Batteries will provide about eight (8) hours of run time in the event of an AC power failure. Replace these batteries yearly for optimum performance.
7. Referring to Figure 1.0, connect the power supply adapter into the corresponding jack located on the bottom left-hand side of the RSAP enclosure. Plug the power supply into a convenient 120V/60Hz wall receptacle. Failure to connect to a suitable wall outlet will drain the RSAP's internal batteries and/or result in damage to the monitor. (If supplied with the hardwire version, please refer to Figure 3.1 for AC input terminal block layout. Connect L1, Neutral, and Ground with minimum of 18AWG wire.)

\*The RSAP must be installed by a qualified electrician. Installation to be inspected by an Authorized TIC trained Service Engineer at the time of startup.

## Operating Instructions

ALARM SILENCE pushbutton is used to silence the alarm.

MONITOR RESET pushbutton is used to reset the RSAP UPS FAULT alarm. The monitor will alarm again if the alarm condition is still present following the RESET.

Monitor TEST pushbutton is used to check the operation of all LED's and the audible alarm. All LED's that are illuminated will go off and all lights that are off will illuminate. Horn will also sound.

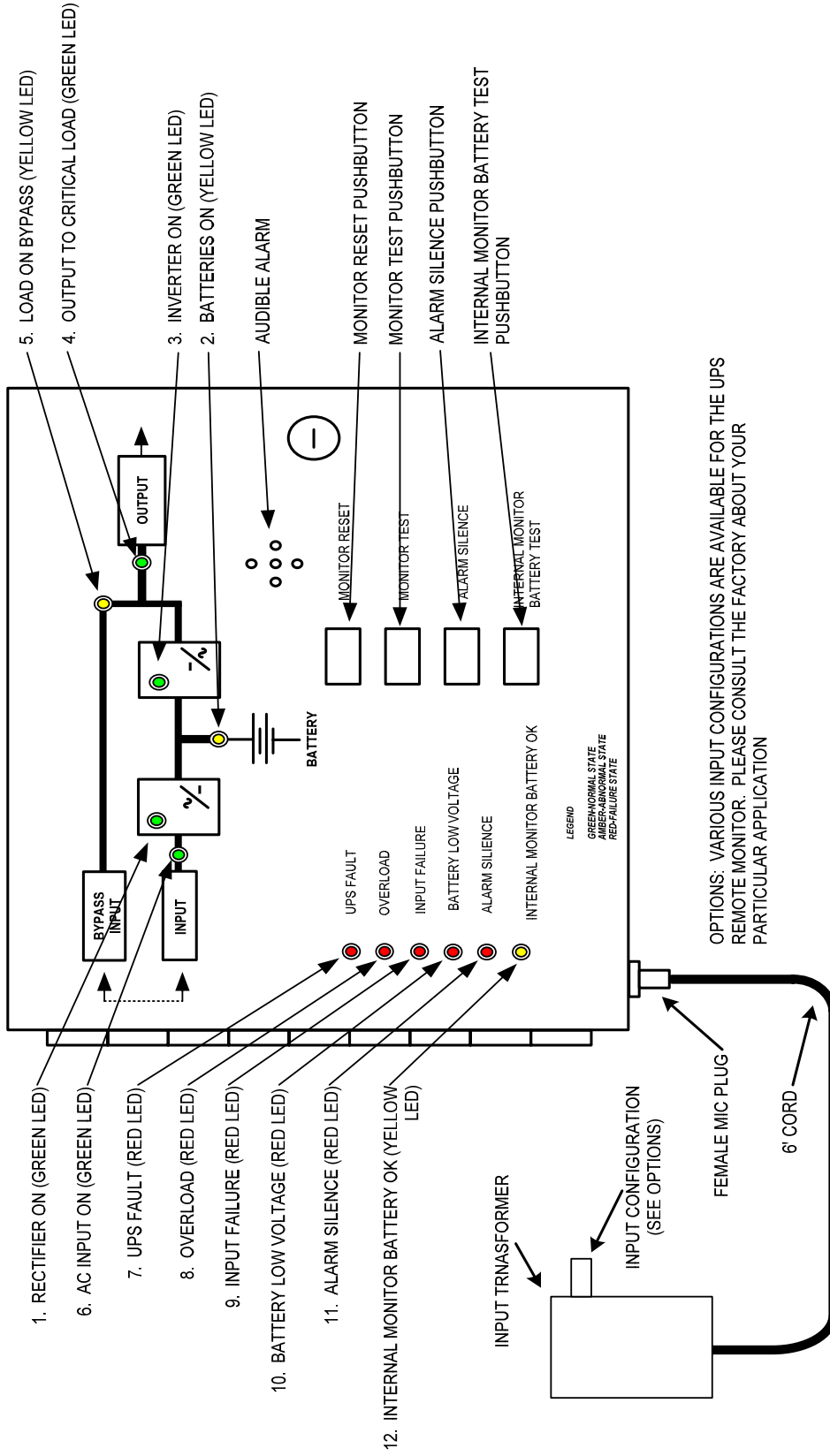
INTERNAL MONITOR BATTERY TEST button is used to test the condition of the monitor's battery pack. If the yellow LED does not illuminate, replace the batteries.

Reset the RSAP as follows:

1. On the UPS, note the alarm and its fault code. If applicable, contact 24 hour UPS field service at (877) 867-8773.
2. If no alarm code is present, press the monitor reset button.
3. If the monitor's audible alarm sounds again repeat steps 1 and 2.
4. Contact TIC service if the alarm cannot be reset after a few attempts.

Refer to Figure 1.0 for location of the LED's and pushbuttons described below:

1. **Rectifier / Charger LED.** This green LED is illuminated as long as the UPS inverter is operating.
2. **Battery LED.** This yellow LED is illuminated as long as the UPS is in the battery backup mode. The audible alarm will beep intermittently.
3. **Inverter On LED.** The green LED is illuminated as long as the UPS inverter is operating.
4. **Output LED.** This green LED is illuminated as long as there is power to the critical load. (Either by the Inverter or Bypass)
5. **Load On Bypass LED.** This yellow LED is illuminated as long as the critical load is powered by the Bypass.
6. **AC Input LED.** This green LED is illuminated as long as there is AC power supplied to the system.
7. **UPS Fault.** This red LED is illuminated and the audible alarm sounds when a UPS fault has occurred. The RSAP must be reset after the alarm is cleared.
8. **Overload LED.** This red LED is illuminated when a UPS overload has occurred. The audible alarm will also sound.
9. **Input Failure LED.** This red LED is illuminated when an input power failure condition is present. The audible alarm will also sound.
10. **Battery Low Voltage.** This red LED is illuminated as soon as the DC bus voltage approaches its cutoff voltage. The audible will also sound.
11. **Alarm Silence LED.** This red LED will illuminate when the ALARM SILENCE pushbutton has been pressed and alarm condition is still present. If alarm condition clears, the ALARM SILENCE LED will automatically reset.
12. **Internal Monitor Battery OK LED.** This yellow LED will illuminate when its corresponding push button is pressed and the batteries are OK. IF this light is dim or does not light, replace all internal batteries.



OPTIONS: VARIOUS INPUT CONFIGURATIONS ARE AVAILABLE FOR THE UPS  
 REMOTE MONITOR. PLEASE CONSULT THE FACTORY ABOUT YOUR  
 PARTICULAR APPLICATION

FIGURE 1.0

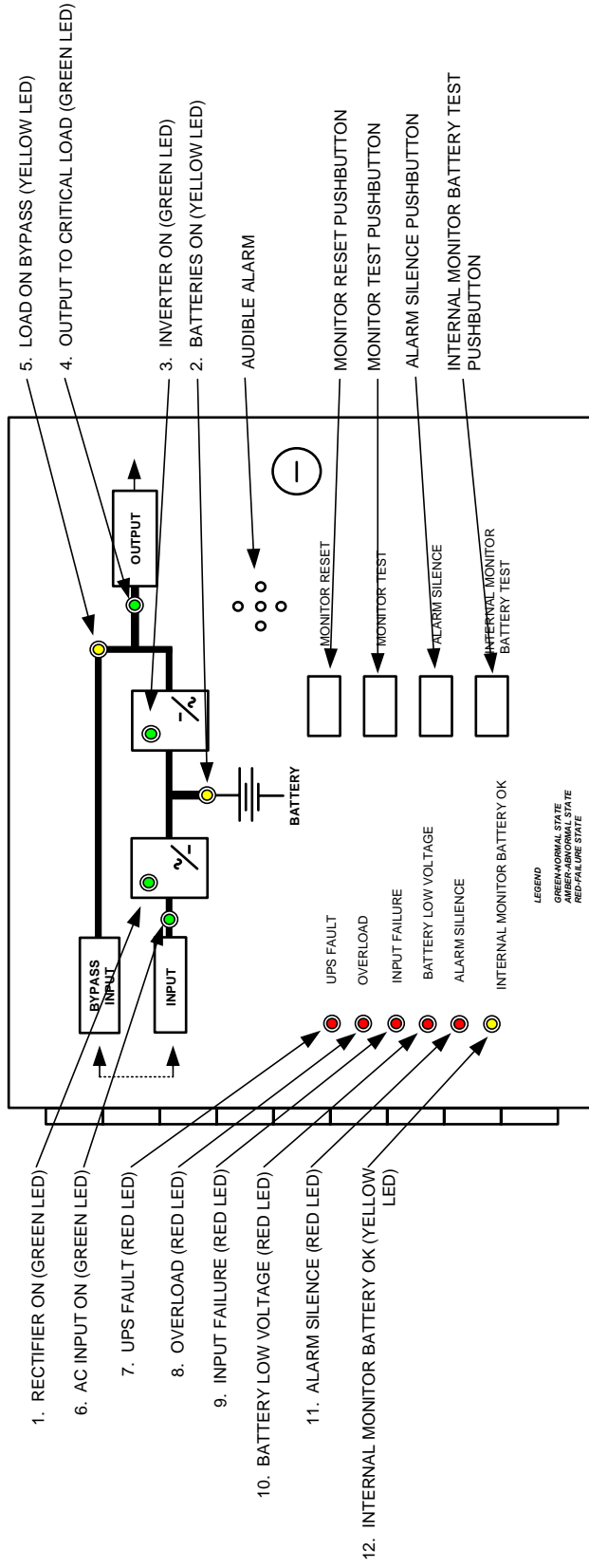
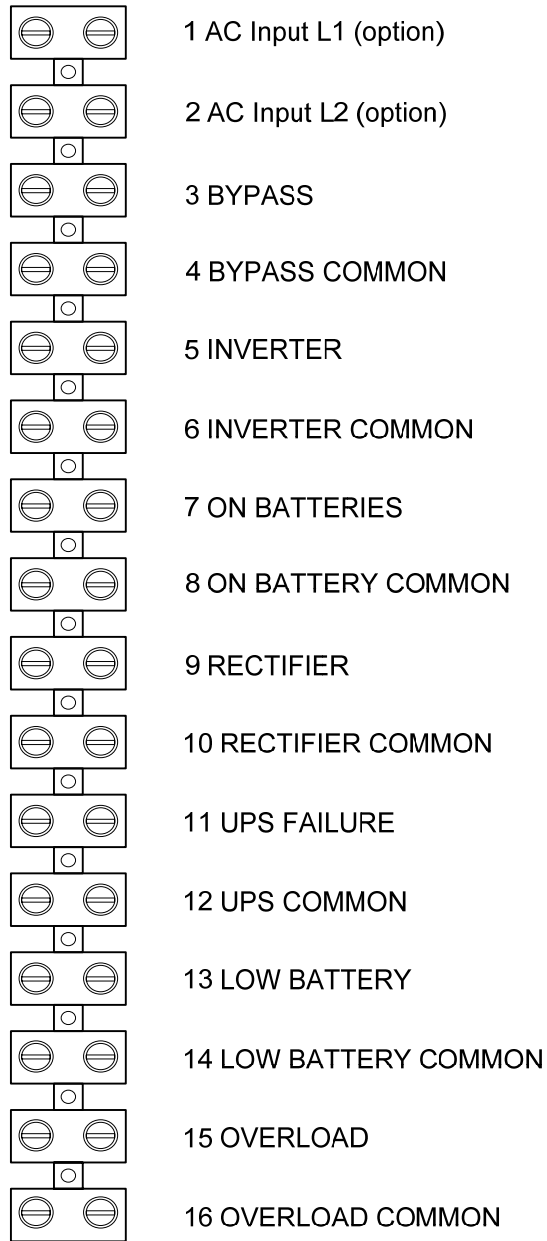
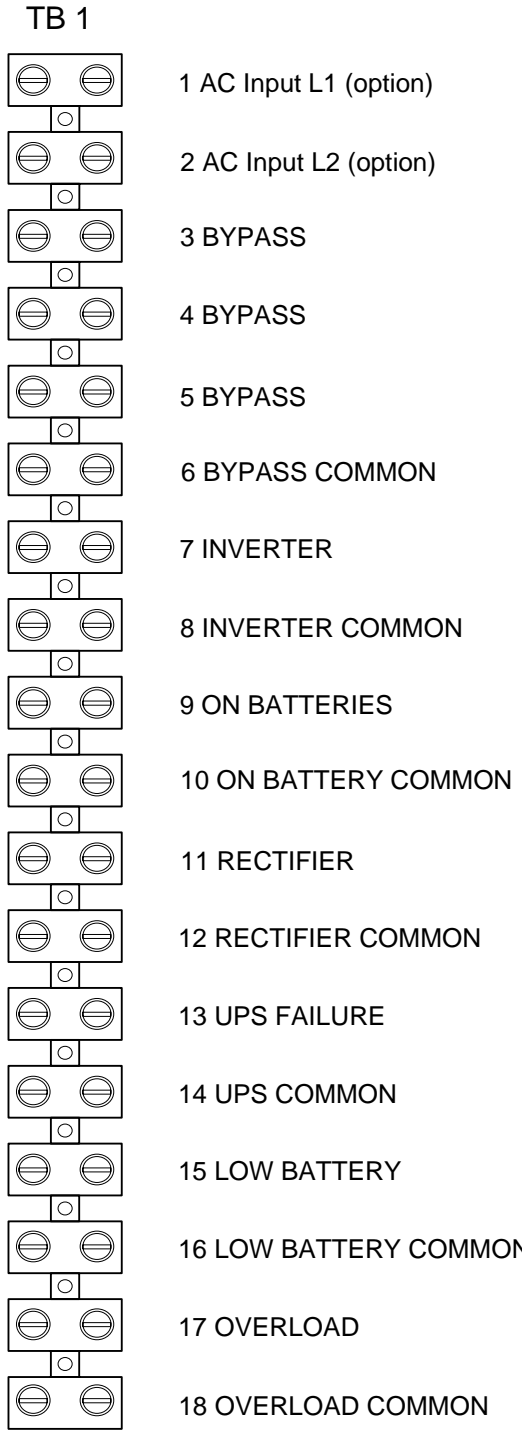


FIGURE 1.1  
(INTERNAL POWER SUPPLY / HARDWARE OPTION)



TERMINAL BLOCK DESCRIPTION  
(LOCATED INSIDE BOX)

FIGURE 2.0



**TERMINAL BLOCK DESCRIPTION  
(LOCATED INSIDE BOX)**

**FIGURE 2.1  
(INTERNAL POWER SUPPLY / HARDWIRE OPTION)**



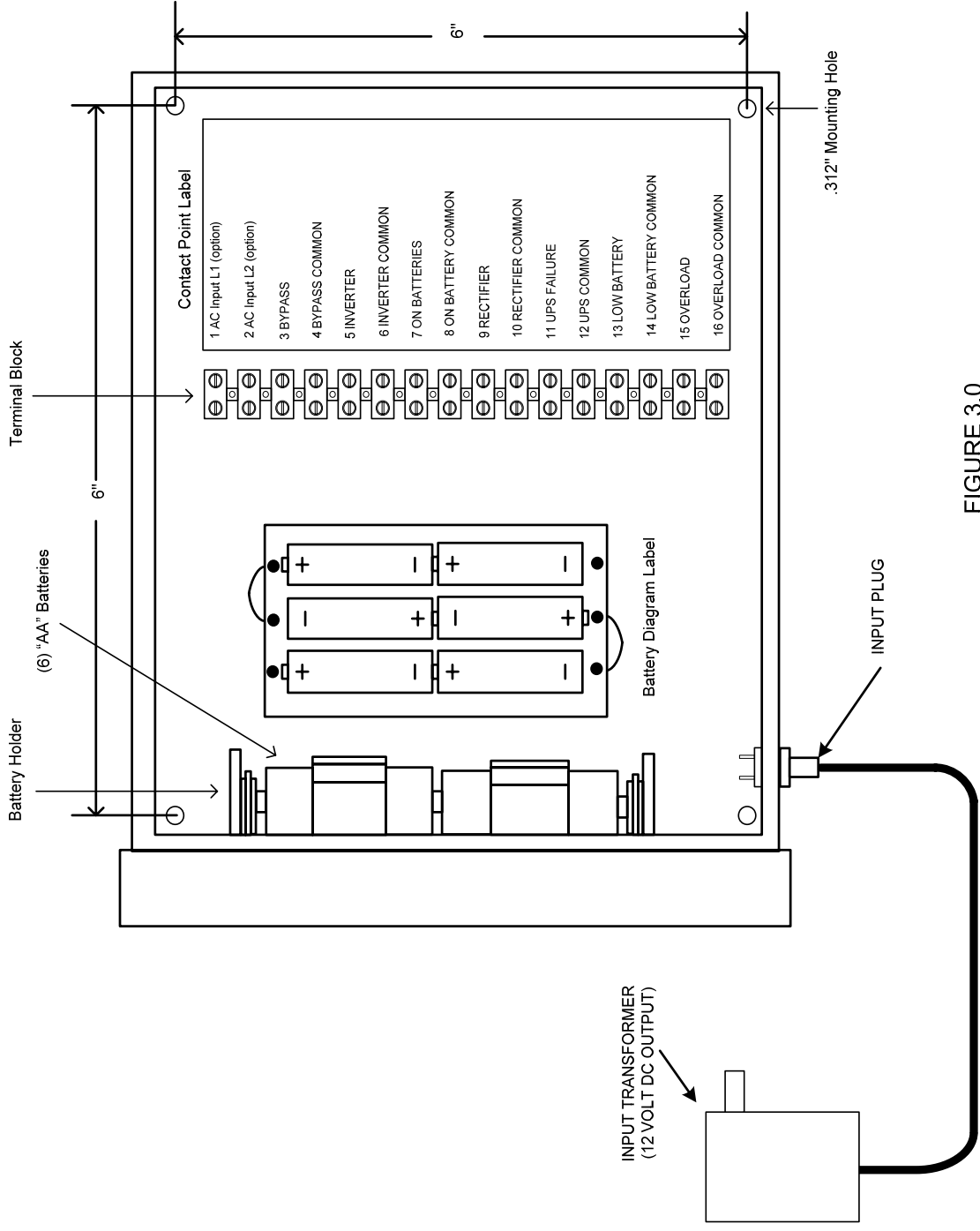


FIGURE 3.0



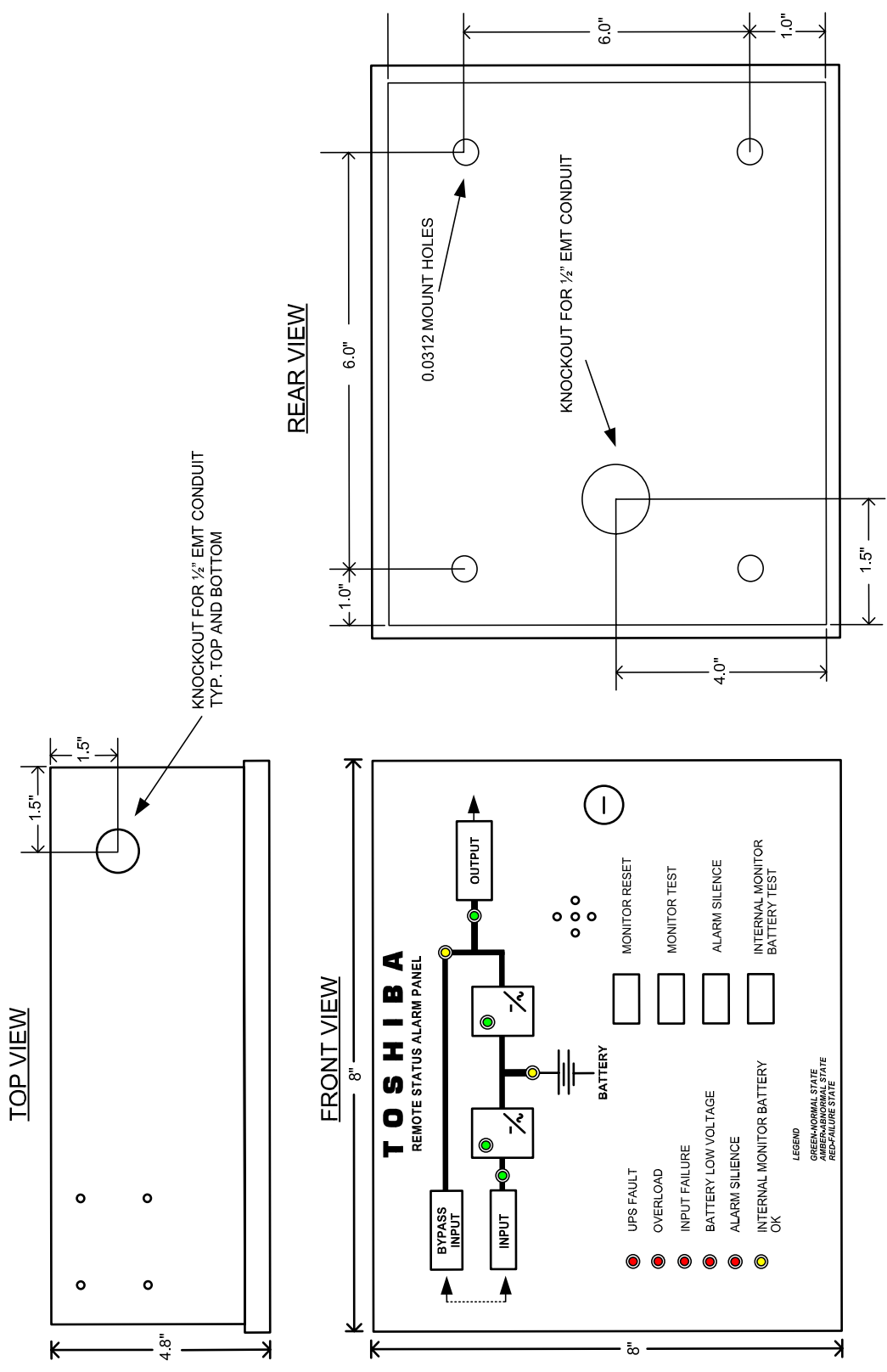
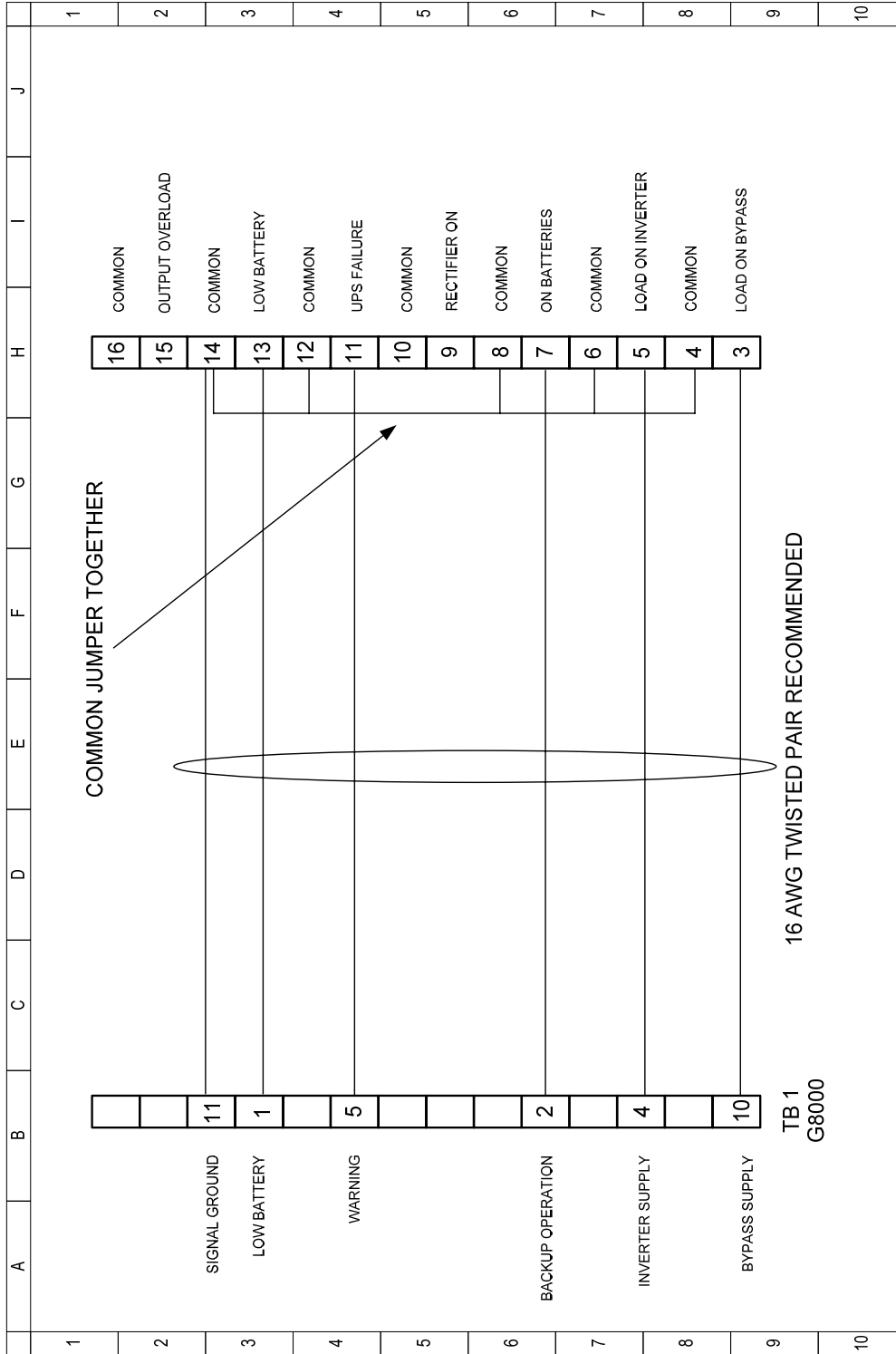
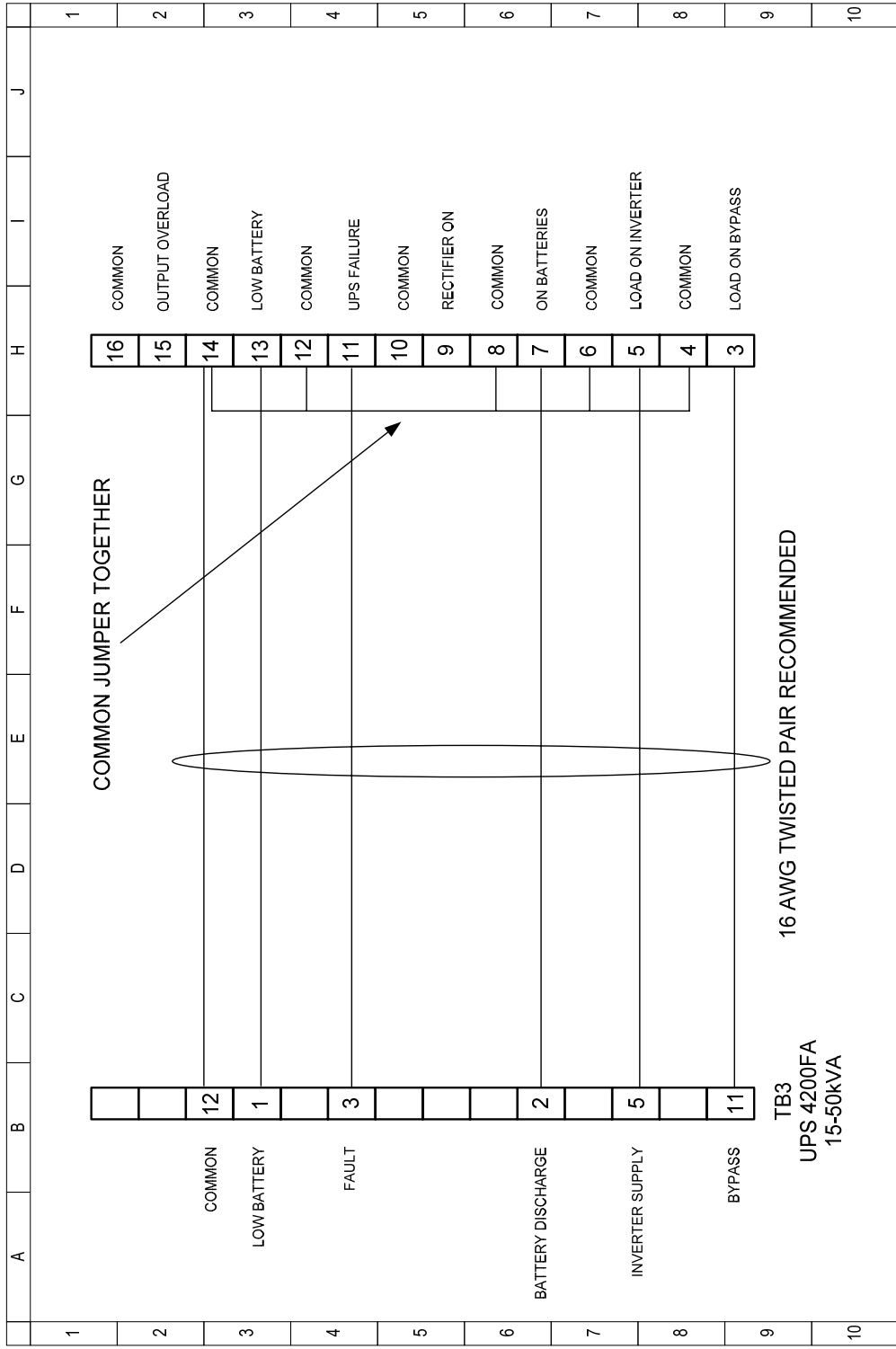


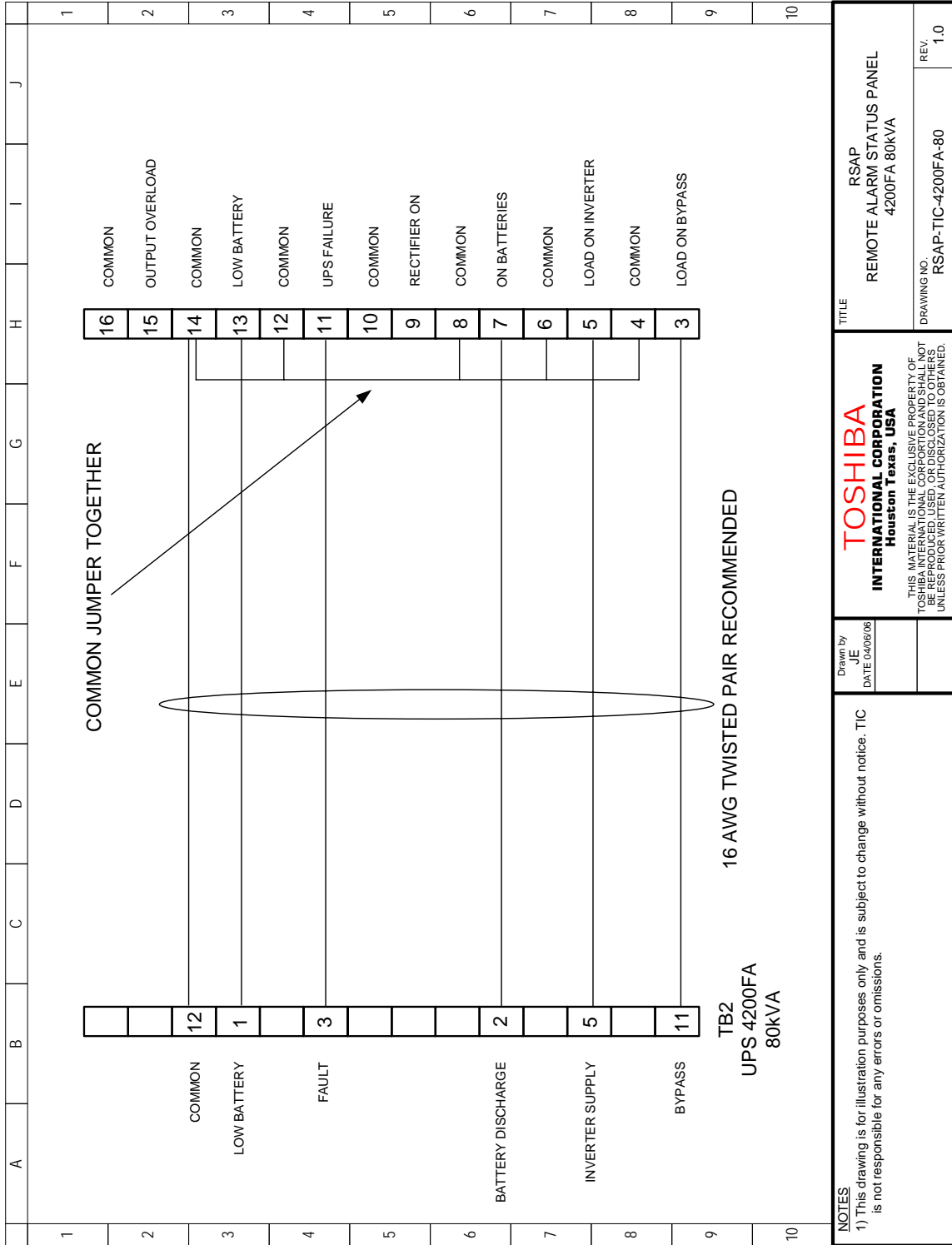
FIGURE 4.0



<b>NOTES</b> 1) This drawing is for illustration purposes only and is subject to change without notice. TIC is not responsible for any errors or omissions.	Drawn by JE DATE 04/06/06	<b>TOSHIBA</b> <b>INTERNATIONAL CORPORATION</b> Houston Texas, USA <small>THIS MATERIAL IS THE EXCLUSIVE PROPERTY OF TOSHIBA INTERNATIONAL CORPORATION AND SHALL NOT BE REPRODUCED, USED, OR DISCLOSED TO OTHERS UNLESS PRIOR WRITTEN AUTHORIZATION IS OBTAINED.</small>	TITLE RSAP REMOTE ALARM STATUS PANEL G8000
		DRAWING NO. RSAP-TIC-G8000	REV. 1.0



<b>NOTES</b> 1) This drawing is for illustration purposes only and is subject to change without notice. TIC is not responsible for any errors or omissions.	Drawn by JE DATE 04/06/06	<b>TOSHIBA</b> <b>INTERNATIONAL CORPORATION</b> Houston Texas, USA <small>THIS MATERIAL IS THE EXCLUSIVE PROPERTY OF TOSHIBA INTERNATIONAL CORPORATION AND SHALL NOT BE REPRODUCED, USED, OR DISCLOSED TO OTHERS UNLESS PRIOR WRITTEN AUTHORIZATION IS OBTAINED.</small>	TITLE RSAP REMOTE ALARM STATUS PANEL 4200FA 15-50KVA
		DRAWING NO. RSAP-TIC-4200FA-15-50	REV. 1.0



<b>NOTES</b> 1) This drawing is for illustration purposes only and is subject to change without notice. TIC is not responsible for any errors or omissions.	Drawn by JJE DATE 04/06/08	<b>TOSHIBA</b> <b>INTERNATIONAL CORPORATION</b> Houston Texas, USA <small>THIS MATERIAL IS THE EXCLUSIVE PROPERTY OF TOSHIBA INTERNATIONAL CORPORATION AND SHALL NOT BE REPRODUCED, USED, OR DISCLOSED TO OTHERS UNLESS PRIOR WRITTEN AUTHORIZATION IS OBTAINED.</small>	TITLE RSAP REMOTE ALARM STATUS PANEL 4200FA 80KVA
		DRAWING NO. RSAP-TIC-4200FA-80	REV. 1.0