

Gaggenau Operating and Installation Instructions
Gaggenau Notice d'utilisation et d'installation
Gaggenau Instrucciones de utilización y de montaje

Extractor hood

AH 900761/900791

Table of Contents

Operating Instructions

How to use these operating instructions	3
Features	4
Safety instructions	5
Read and Save These Instructions	5
Safety notes	6
Operation	7
Light	7
Fan levels	7
Special functions	9
Cleaning and care	10
Lamp replacement	12

Installation Instructions

Important information	13
Installation	13
Electrical information	14
Electrical connection	14
Wire diagram	15
Installation	16

How to use these operating instructions

Dear customer,

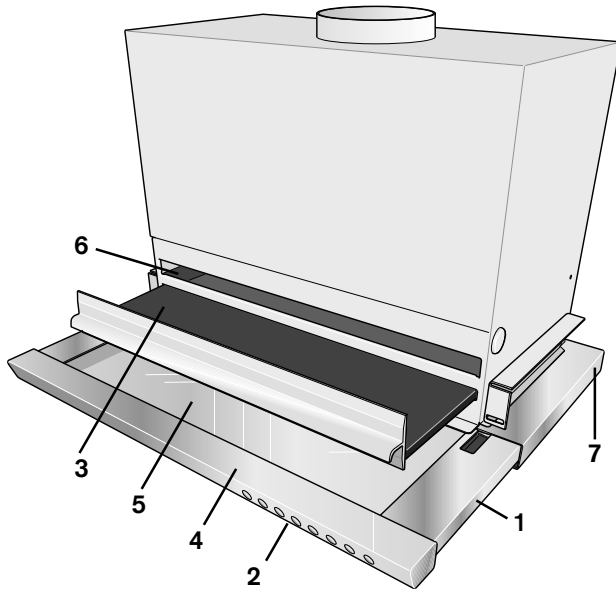
Congratulation on your decision to purchase an exclusive kitchen appliance from Gaggenau.

To make sure you will be able to use all functions of the appliance as quickly and safely as possible, we have tried to make these operating instructions as concise as possible.

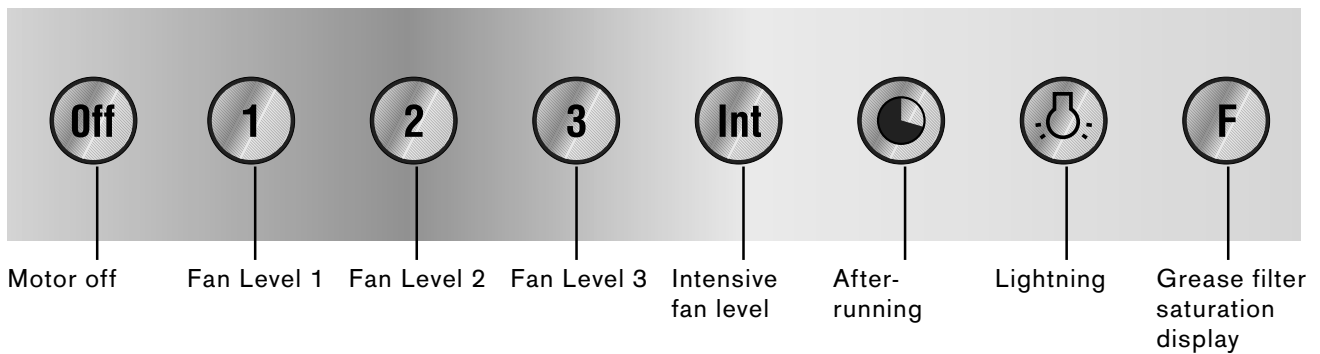
Please keep the operating instructions in a safe place.

These documents also include installation instructions. Certain installation work may only be done by a qualified electrician. Please make sure that these instructions are always available whenever needed.

Features



- 1 Smoke screen
- 2 Control panel
- 3 Grease filter
- 4 Handle strip
- 5 Viewing window
- 6 Activated charcoal filter
- 7 Spacer rail



This flat screen hood offers you:

- an outstanding stainless steel design,
- a good extraction capacity with little noise,
- easy operation and care,
- exhaust or circulating air operation depending on the requirement,
- a large number of operator control functions thanks to electronic control and
- various special functions (e.g. interval ventilation).

Safety Instructions

Read And Save These Instructions.

WARNING - TO REDUCE THE RISK OF FIRE, ELECTRIC SHOCK, OR INJURY TO PERSONS, OBSERVE THE FOLLOWING:

- a.) Use this unit only in the manner intended by the manufacturer. If you have questions, contact the manufacturer.
- b.) Before servicing or cleaning unit, switch power off at service panel and lock the service disconnecting means to prevent power from being switched on accidentally. When the service disconnecting means cannot be locked, securely fasten a prominent warning device, such as a tag, to the service panel.

CAUTION:

FOR GENERAL VENTILATION USE ONLY. DO NOT USE TO EXHAUST HAZARDOUS OR EXPLOSIVE MATERIALS AND VAPORS.

WARNING - TO REDUCE THE RISK OF A RANGE TOP GREASE FIRE.

- a.) Never leave surface units unattended at high settings. Boilovers cause smoking and greasy spillovers that may ignite. Heat oils slowly on low or medium settings.
- b.) Always turn hood ON when cooking at high heat or when flambeing food (i.e. Crepes Suzette, Cherries Jubilee, Peppercorn Beef Flambe').
- c.) Clean ventilating fans frequently. Grease should not be allowed to accumulate on fan or filter.
- d.) Use proper pan size. Always use cookware appropriate for the size of the surface element.

WARNING - TO REDUCE THE RISK OF INJURY TO PERSONS IN THE EVENT OF A RANGE TOP GREASE FIRE, OBSERVE THE FOLLOWING:

- a.) SMOTHER FLAMES with a close-fitting lid, cookie sheet, or metal tray, then turn off the burner. BE CAREFUL TO PREVENT BURNS. If the flames do not go out immediately, EVACUATE AND CALL THE FIRE DEPARTMENT.
- b.) NEVER PICK UP A FLAMING PAN - You may be burned.
- c.) DO NOT USE WATER, including wet dishcloth or towels - a violent steam explosion will result.
- d.) Use an extinguisher ONLY if:
 1. You know you have Class ABC extinguisher, and you already know how to operate it.
 2. The fire is small and contained in the area where it started.
 3. The fire department is being called.
 4. You can fight the fire with your back to an exit.



Safety Notes

Do not operate damaged appliances.

Isolate the appliance from the mains during every maintenance operation. To do this, switch-off the corresponding fuse.

The appliance must only be connected by an authorised specialist, paying attention to the relevant regulations of the power supply companies and the regional construction regulations.

Repairs must be carried out by authorised specialists, thus ensuring electrical safety.

Observe the assembly instructions!

No warranty claims can be lodged in the event of damage caused by failure to observe these instructions.

Connecting cables must not come into contact with hot cooking surfaces.

If the connecting cable for this appliance is damaged, the cable must be replaced by the manufacturer or his customer service or a similarly qualified person in order to prevent serious injury to the user.

Do not operate the extractor hood without inserted lamps. Defective bulbs should be replaced immediately to prevent the remaining bulbs from overloading.

Never operate the appliance without a grease filter. Hazardous or explosive substances and vapours must not be extracted!

The user is responsible for expert use and the perfect condition of the appliance.

Only ever operate the appliance under supervision. Overheated fat or oil can easily catch fire. If you are cooking with fat or oil, e.g. chips, etc., never leave the cooker unattended.

Caution! Over-greased filters are a fire risk! Only ever deep-fry under the extractor under constant supervision. Pay attention to cleaning the grease filter on a regular basis.

Fire risk! Do not flambé meals under the extractor hood!

Operation of the extractor hood above a hearth for solid fuels (coal or wood etc.) is only partly permitted.

Gas appliances may only be used under the extractor hood when pots and pans are placed on them!

Do not operate all hotplates simultaneously over a prolonged period (max. 15 minutes) at maximum thermal load, otherwise there is a risk of burns from touching the housing surfaces or a risk of damaging the extractor hood. When operating the extractor hood above a hob, operate the hood at maximum setting if three or more hotplates are on at the same time.

The appliance is not intended for use by young children or infirmed persons without supervision. Young children should be supervised to ensure they do not play with the appliance.

Do not let adults or children operate the appliance unsupervised:

– if they are mentally or physically unable to use the appliance safely and correctly,

– if they don't have the knowledge and experience to use the appliance safely and correctly.

When children become old enough to operate the appliance, it is the legal responsibility of the parents or legal guardians to ensure that they are instructed in safe practices by qualified persons.

Do not place any heavy objects on the appliance.

Do not clean the appliance with a steam cleaning apparatus or with water pressure because this poses a risk of short-circuits.

Adequate incoming air must be ensured if a wood, coal, gas or oil heater or an open hearth is operated in the same room as the one in which the hood is installed.

Safe operation is possible whenever the partial vacuum in the place where the firing equipment is installed does not exceed 4 Pa (0.04 mbar). This can be achieved whenever the air needed for combustion is able to enter through openings that cannot be sealed, for example in doors, windows, incoming/exhaust air wall boxes or other technical means.

Dispose of packaging materials properly (see Installation instructions).

This extractor hood is designed for domestic use only.

If malfunctions should occur, contact your dealer or Gaggenau after-sales service. In doing so, please specify the model number concerned (the rating plate is under the grease filter).

We cannot be held responsible for damage caused by failure to observe these instructions.

Technical modifications reserved.

Operation

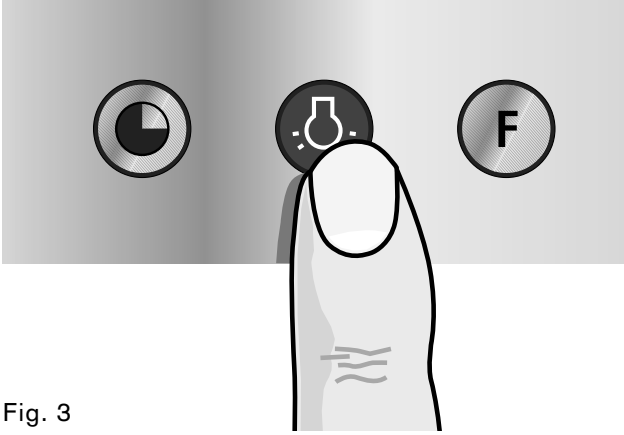



Fig. 3

The control panel is built into the handle rail of the screen slide and is located on the right hand side. After installation, the unit can be operated from the front.

After activation, all function selection keys with the exception of the **OFF** key („Motor off“) are back-lit in green.

Light

The lighting can be switched on or off, regardless of whether the extractor is in operation, by pressing the  key (see Fig. 3).

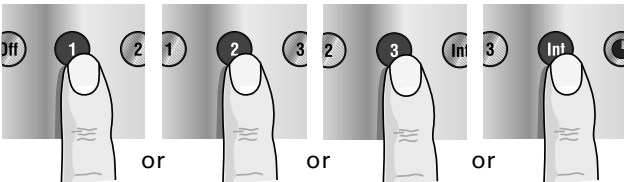


Fig. 4

Fan levels

Three fan speeds and one intensive speed are available (see Fig. 4).

You set the fan level required to suit your needs by pressing the function selector keys **1**, **2**, **3** or **Int**.

The corresponding indicator lamp on the control panel lights up.

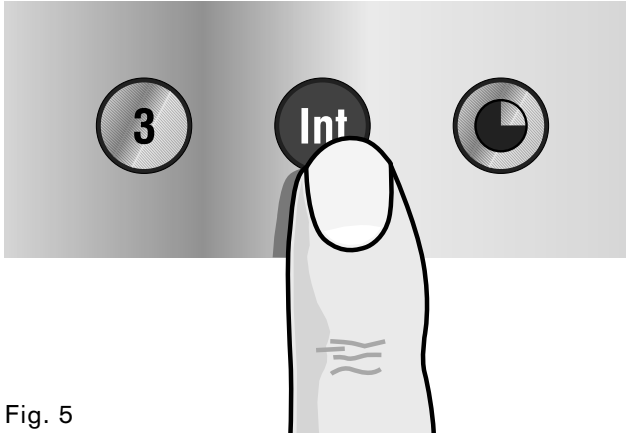


Fig. 5

The **Int** key for the intensive level should be pressed when browning and frying in an open pan. (see Fig. 5)

If you have switched on the hood by selecting the intensive level, it will be switched off again automatically after 5 minutes.

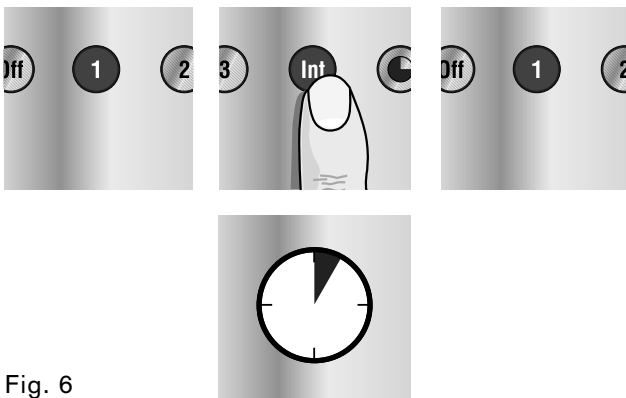


Fig. 6

If you press the **Int** key while the hood is running at fan level **1**, **2** or **3** the electronic control will switch back automatically to the previously selected fan level after 5 minutes (see Fig. 6).

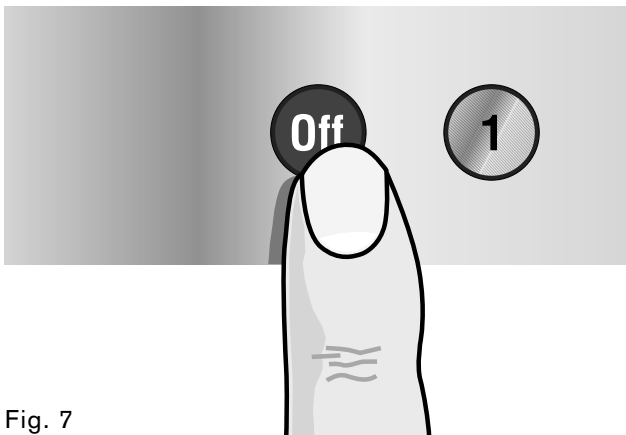


Fig. 7

Press the **OFF** key (motor off) if you wish to switch off the intensive level before the 5 minute period has elapsed (see Fig.7). You can switch off the hood's extraction function at any time by pressing the **OFF** key (motor off).

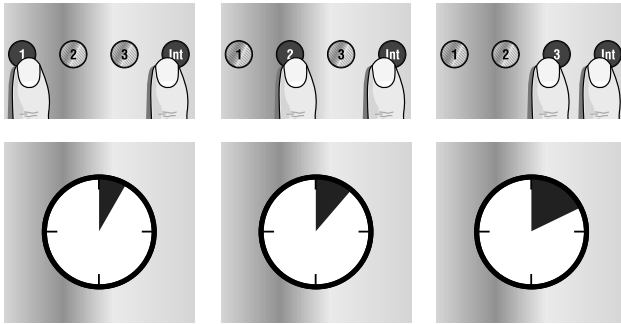


Fig. 8 or or

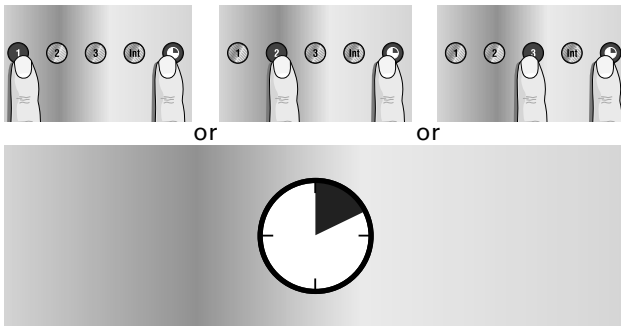


Fig. 9

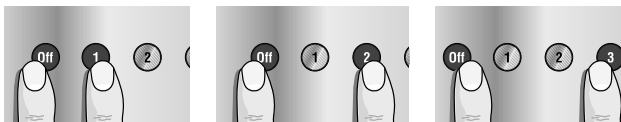


Fig. 10 or or

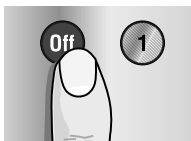


Fig. 11

Special functions

Intensive:

You can set the hood on intensive for 3, 5 or 10 minutes by simultaneously pressing the **Int** key and the **1**, **2** or **3** key and you can store this setting (see Fig. 8). When delivered, the appliance is set to five minutes, i.e. the combination of the **Int** key and the key **2**.

After-running level:

You can set and store the after-running level by simultaneously pressing the key ☺ and the key **1**, **2** or **3** (see Fig. 9).

Level 2, i.e. the combination of the key ☺ and the key **2**, are set at the factory.

The **after-running** time for all settings is ten minutes. The ventilation and lighting functions switch off automatically after this time.

Interval ventilation:

Interval ventilation is a special feature of this appliance which activates the fan for five minutes every hour. You can activate this function by simultaneously pressing the **OFF** key and the **1**, **2** or **3** key depending on the required extraction capacity (see Fig. 10).

This mode of operating is indicated by alternating illumination of the key ☺ together with the corresponding fan level indicator.

You can switch off interval ventilation by pressing the key **OFF**.

Cleaning and care

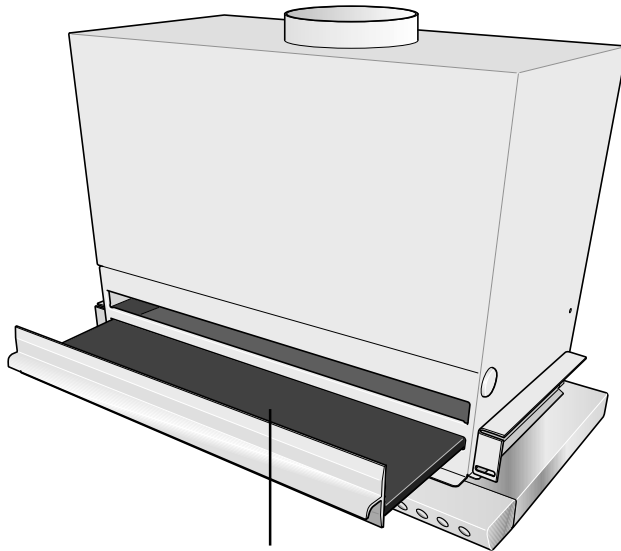


Fig. 12 Grease filter

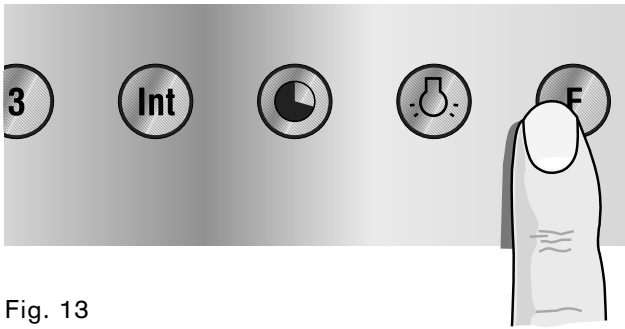


Fig. 13

The grease filter saturation display **F** flashes after operating 30 hours to indicate you that you should clean the grease filter (see Fig. 2). It goes without saying that the grease filter can be cleaned at any time, even if the grease filter saturation display is not flashing.

The metal grease filters can be removed easily for cleaning (see Fig. 12):

Grip the handle rail of the grease filter and pull the grease filter towards you out of the unit.

The metal grease filters can be cleaned in a dishwasher at a maximum temperature of 65 °C (149 °F), where it should be supported vertically to allow food or residue to drain off.

Slight discolorations may occur when cleaning metal filters in a dishwasher.

If possible, the inner parts of the housing should be wiped out with hot water when replacing the filters.

The sound insulation mats can be cleaned easily.

Avoid using pointed or rough objects when cleaning them.

After cleaning it, re-insert the grease filter in the hood in the position from where you removed it.

The grease filter saturation display is reset by pressing the **F** key. Flashing of the indicating lamp goes off.

Note:

Activated charcoal filters do not contain any polluting substances. They can be disposed of through the normal refuse collection channels.

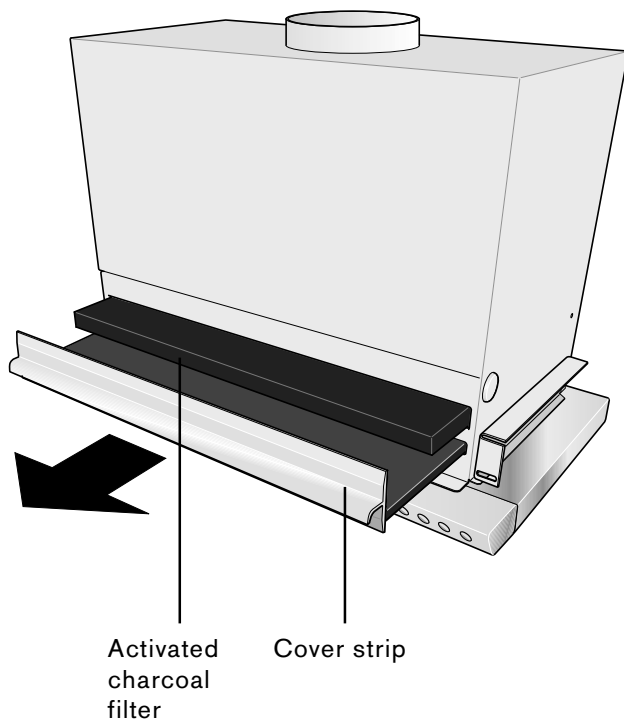


Fig. 14

Recirculating air mode

If you decided to purchase the hood with circulating air capability, you must replace the activated charcoal filter (optional) after a certain period of operation (see Fig. 14). If used once daily, the charcoal filter must be replaced approximately once to twice annually: First remove the grease filter from the mount. As shown in Fig. 14, remove the activated charcoal filter from the extractor towards you and replace the old one by a new activated charcoal filter.

Spare part Nos. for the activated charcoal filter:

- for AH 900-76 1
KF 900-055
- for AH 900-79 1
KF 900-090

Viewing window

The viewing window consisting of hardened glass should be cleaned as needed. It can be removed in the upward direction after pulling out the smoke screen. The viewing window can be cleaned in a dishwasher.

Clean the control panel with a moist cloth and a little detergent.

Do not use brushes or abrasive agents such as scrubbing cleaners.

Lamp replacement

Deactivate the wall hood's power supply as described on Page 4.

First remove the grease filter.

Detach the lamp cover by removing the screws that secure the lamp cover to the inside of the housing.

Remove the securing clip and first pull the fluorescent lamp downwards out of the plastic holder and then horizontally out of the socket.

Defective fluorescent lamps must only be replaced by lamps of the same type.

The original spare part:

- for AH 900-76 1
spare part number **211406**
- for AH 900-79 1
spare part number **292103**

is available from specialist dealers or your Gaggenau after-sales service.

Insert the new fluorescent lamp in the socket so that it audibly engages. Then press the lamp securely into the plastic holder and close the securing clip onto the holder. The lamp is now secure against dropping out.

Clean the lamp cover in mild detergent and then secure it on the hood again.

Connect the unit to the power again.

Note:

As standard, your hood contains a fluorescent tube with the colour „bright white". This ensures optimum illumination of your cooking area. If you wish a different colour, you can order the colours „warm tone" and „Interna" from your specialist dealer.



Important information

Installation

WARNING - TO REDUCE THE RISK OF FIRE, ELECTRIC SHOCK, OR INJURY TO PERSONS, OBSERVE THE FOLLOWING:

- a.) Installation work and electrical wiring must be done by qualified person(s) in accordance with all applicable codes and standards, including fire-rated construction.
- b.) Sufficient air is needed for proper combustion and exhausting of gases through the flue (chimney) of fuel burning equipment to prevent back drafting. Follow the heating equipment manufacturer's guideline and safety standards such as those published by the National Fire Protection Association (NFPA), and the American Society for Heating, Refrigeration and Air Conditioning (ASHRAE), and the local code authorities.
- c.) When cutting or drilling into wall or ceiling, do not damage electrical wiring and other hidden utilities.
- d.) Ducted fans must always be vented to the outdoors.
- e.) NEVER place a switch where it can be reached from a tub or shower.

WARNING – TO REDUCE THE RISK OF FIRE, USE ONLY METAL DUCTWORK.

WARNING:

The applicable regulations of the energy supply companies and the regional construction regulations must be observed when installing the hood.

Minimum distance between electric cooktop and bottom edge of hood: 18 1/2" (47 cm)

Minimum distance on gas cooktops between the upper edge of the grate and lower edge of the hood: 26" (65 cm)

Connection possibilities

The wall hood was conceived for the **exhaust air or air recirculation mode**. The exhaust air can be routed into a separate exhaust air shaft or directly into the open through the outside wall.

It is not allowed to pass the exhaust air into a flue or exhaust air chimney that is in operation or into a shaft that is linked to the heating basement. Consult the chimney sweep responsible for your district whenever you wish to pass the exhaust air into a chimney that is not in operation.

During the course of planning, a chimney sweep must be consulted if a room air-dependent hearth is operated in the same room as the one in which a hood is operated in the exhaust air mode. Adequate incoming air must be ensured. The applicable construction and safety regulations must be observed.

Adequate incoming air must be ensured if a wood, coal, gas or oil heater or an open hearth is operated in the same room as the one in which the hood is installed.

Safe operation is possible whenever the partial vacuum in the place where the firing equipment is installed does not exceed 4 Pa (0.04 mbar). This can be achieved whenever the air needed for combustion is able to enter through openings that cannot be sealed, for example in doors, windows, incoming/exhaust air wall boxes or other technical means.

Grounding Instructions

The appliance must be grounded. In the event of an electrical short circuit, grounding reduces the risk of electric shock by providing an escape wire for the electric current. This appliance is equipped with a cord having a grounding wire with a grounding plug. The plug must be plugged into an outlet that is properly installed and grounded.

WARNING – IMPROPER GROUNDING CAN RESULT IN A RISK OF ELECTRIC SHOCK.

Consult a qualified electrician if the grounding instructions are not completely understood, or if doubt exists as to whether the appliance is properly grounded.

Do not use an extension cord. If the power supply cord is too short, have a qualified electrician install an outlet near the appliance.



Important information

Electrical connection:

Observe the specifications on the rating plate. The unit may only be connected by an authorized electrician, who is responsible for the proper functioning at the time of installation.

He must explain operation of the unit to the User with reference to its instruction manual.

If the appliance cannot be disconnected completely from the power supply by means of an accessible plug, then a switch, fuse or circuit breaker which complies with local code must be installed.

The User should be instructed on how to disconnect the appliance in an emergency.

Notes on repair:

If the appliance does not function correctly check the fuses first. If the power supply is functioning correctly but your appliance still does not work, notify your Gaggenau dealer, who will provide you with the address and telephone number of your nearest factory authorized service agent or contact Gaggenau USA, +1 877 4GAGGENAU.

Repairs may only be carried out by authorized electrician in order to guarantee the safety of the appliance. Unauthorized tampering with the appliance will invalidate any warranty claims. The appliance must always be disconnected from the power supply when being repaired.

Old appliances are not worthless rubbish. Valuable raw materials can be reclaimed by recycling old appliances. Before disposing of your old appliance, render it unusable.

You received your new appliance in a protective shipping carton. All packaging materials are environmentally friendly and recyclable. Please contribute to a better environment by disposing of packaging materials in an environmentally-friendly manner.

Please ask your dealer or inquire at your local authority about current means of disposal.

The extractor hood can be used in exhaust air or circulating air mode.

Always mount the extractor hood over the centre of the hob.

The extractor hood must not be installed over a solid fuel cooker – a potential fire hazard (e.g. flying sparks) – unless the cooker features a **closed, non-removable cover** and all national regulations are observed.

The smaller the gap between the extractor hood and hotplates, the greater the likelihood that droplets will form on the underside of the extractor hood.

Additional information concerning gas cookers:

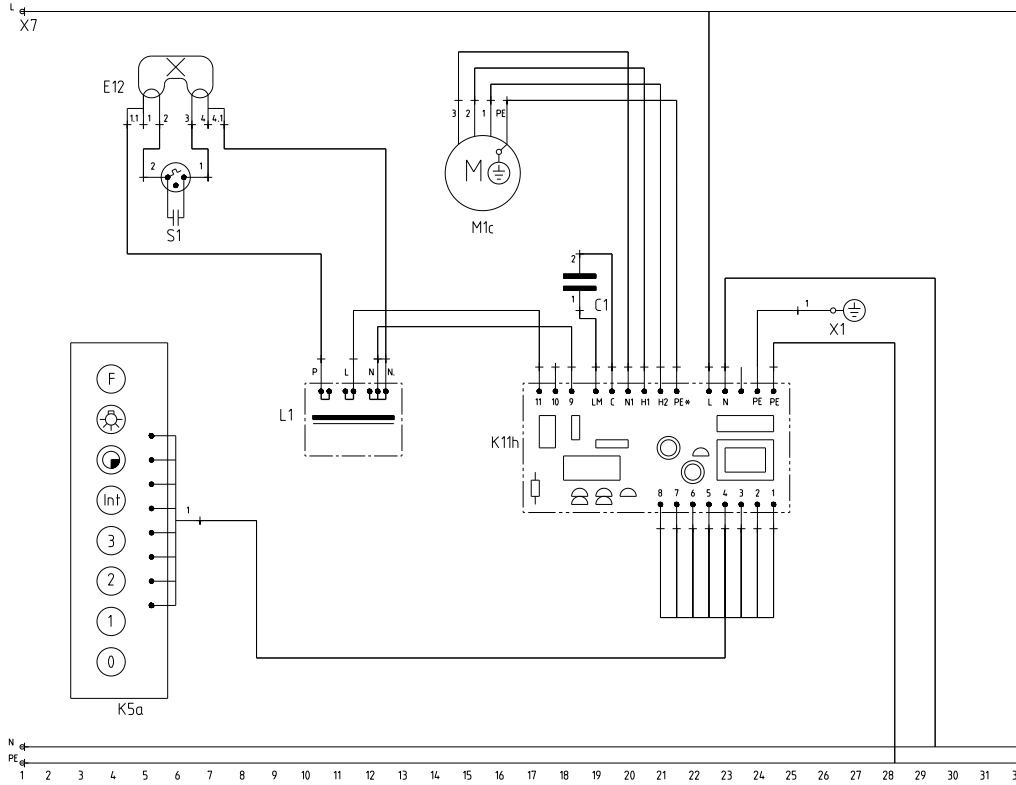
When installing gas hotplates, comply with the relevant national statutory regulations (e.g. in Germany: Technische Regeln Gasinstallation TRGI).

Always comply with the currently valid regulations and installation instructions supplied by the gas appliance manufacturer.

Only one side of the extractor hood may be installed next to a high-sided unit or high wall. Gap at least 2".

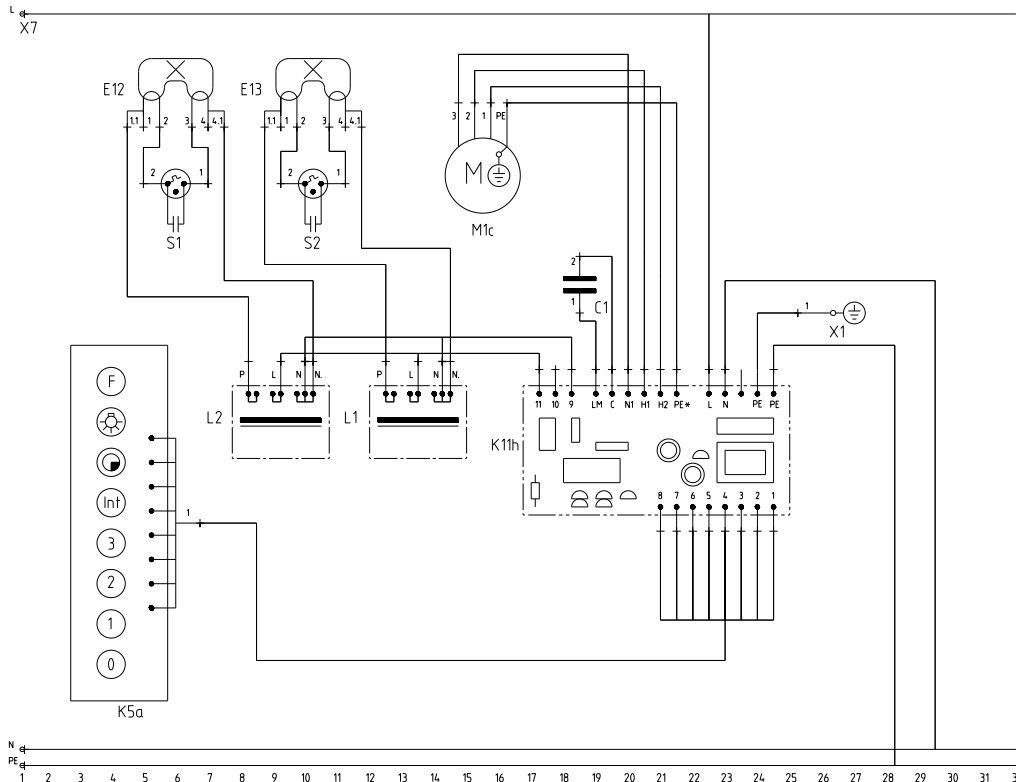
Wire diagram

AH900761



REF Components	Path
C1 Capacitor	18
E12 Fluorescent lamp 13 W	4-7
K5a Control pc board	7
K11h Speed control pc board	17-24
L1 Choke	10-12
M1c Fan motor	15-16
S1 Starter fluorescent lamp	5-7
X1 Earthing support	25
X7 Mains terminal	1

AH900791



REF Components	Path
C1 Capacitor	18
E12 Fluorescent lamp 13 W	4-7
E13 Fluorescent lamp 13 W	9-12
K5a Control pc board	7
K11h Speed control pc board	17-24
L1 Choke	12-14
L2 Choke	8-10
M1c Fan motor	15-16
S1 Starter fluorescent lamp	5-7
S2 Starter fluorescent lamp	9-11
X1 Earthing support	25
X7 Mains terminal	1

Installation

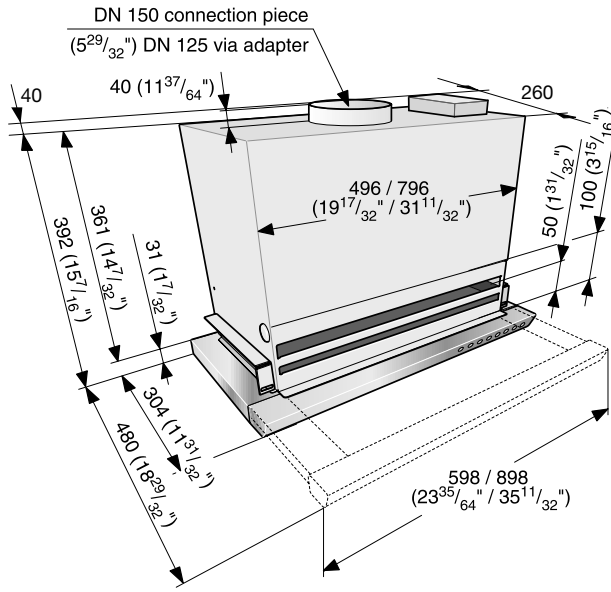


Fig. 15

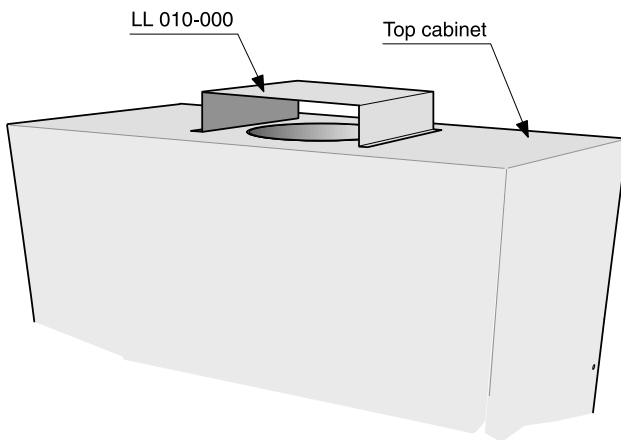


Fig. 16

The hood features an upward blow-out opening.

For laying through the outside wall, we recommend use of our telescopic wall box TM 150-045.

Note:

To prevent the penetration of water, e.g. condensation or rain water from an uncovered exhaust air shaft, into the hood, our condensation collector RV 060- 150 must be fitted in the proximity of the hood. The condensation collector must still be accessible after installation.

Circulating air operation

The following parts should have been included if you decided in favor of circulating air operation of the hood:

- for AH 900-761
Activated charcoal filter **KF 900-055**
- for AH 900-791
Activated charcoal filter **KF 900-090**
- Air baffle LL 010-000

The air baffle is secured on the cabinet front, blowing out towards the front. The distance between the hood and the air baffle must be bridged with a pipe consisting of non-combusting material. The air out of the baffle must be capable of flowing back into the room without obstruction. When using a panel reaching up to the ceiling, produce an opening in this panel.

Note on wooden front panel:

The hood's handle rail cannot be replaced by a wooden front panel.

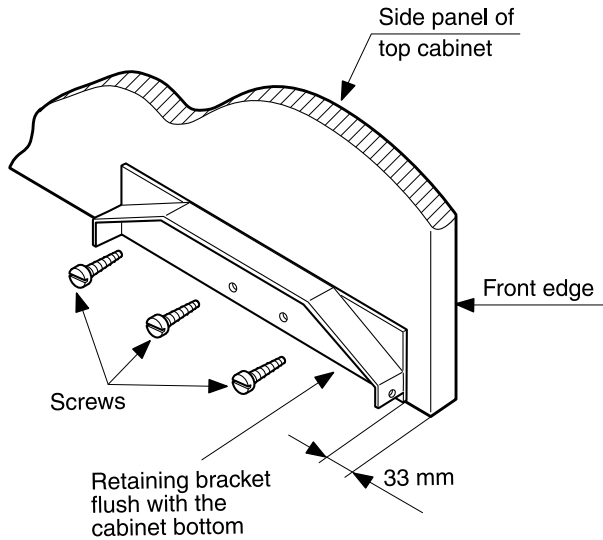


Fig. 17

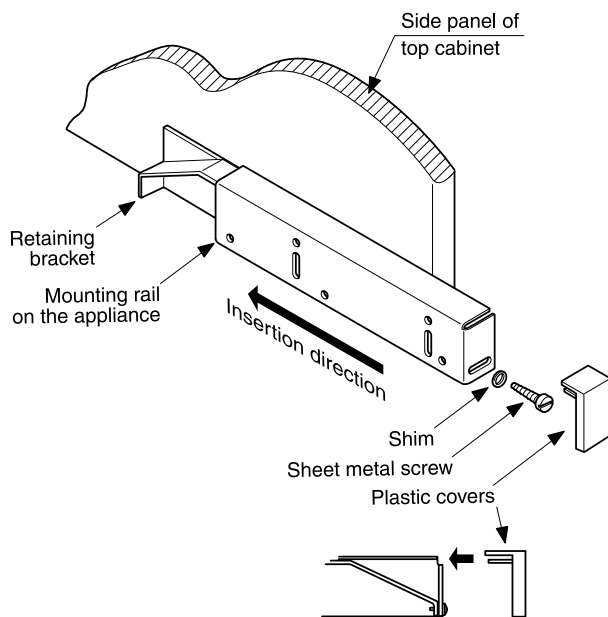


Fig. 18

The hood can be installed in an upper cabinet **without** a base. Refer to Fig. 15 for dimensions.

If no corresponding cabinet is available, remove the base from a commercially available cabinet.

The upper cabinet must have a minimum depth of 295 mm (11 13/32") (clear width of interior) and a minimum height of 450 mm (17 23/32").

Using the included screws, fit the retaining brackets on the inside of the suspended cabinet (Fig. 17). The retaining brackets must be mounted flush with the bottom and front edges of the cabinet at a distance of 33 mm (1 3/10").

Using the side mounting rails, place the hood on the pre-fitted retaining brackets and slide it towards the rear into the cabinet (Fig. 18). The screen slide is then flush with the bottom edge of the cabinet.

Laterally align the hood. Use the included sheet metal screws to bolt down the retaining bracket and the mounting rail on the left and right.

Then fit the included plastic Covers onto the mounting rails. Use a knife to cut the plastic covers to size if upper cabinets measure 55 cm (21 5/8") in width or if cabinets have a wall thickness of more than 16 mm (5/8").

⚠ CAUTION: Use care when cutting the space rail and cover size to prevent personal injury.

Cut the included spacer rail to size so that it bridges the distance between the rear edge of the hood and the wall behind it.

Remove the lamp Cover (see Lamp replacement) and bolt the spacer rail to the rear panel of the unit.

Lay the air pipes and connect the unit to the power mains.

Sommaire

Notice d'utilisation

Conseils pour l'emploi de cette notice d'utilisation	18
---	-----------

Équipement	19
-------------------	-----------

Consignes de sécurité	20
Lisez et Conservez Ces Instructions	20

Remarques concernant la sécurité	21
---	-----------

Utilisation	22
Éclairage	22
Ventilation	22
Fonctions spéciales	24

Nettoyage et entretien	25
-------------------------------	-----------

Remplacement d'une lampe	27
---------------------------------	-----------

Notic de montage

Remarques importantes	28
Installation	28
Possibilités de branchement	29

Branchement électrique	29
Schéma de câblage	30

Pose	31
-------------	-----------

Conseils pour l'emploi de cette notice d'utilisation

Cher client, chère cliente,

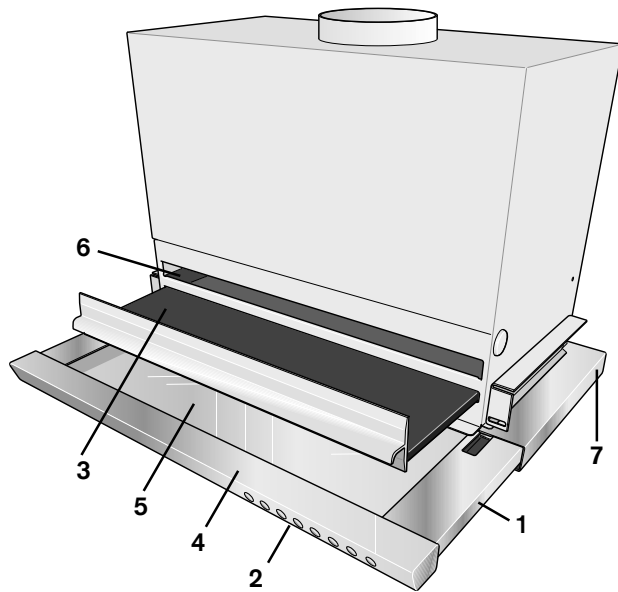
Vous avez choisi un appareil de cuisine exclusif de Gaggenau. Nous vous en félicitons.

Pour que vous puissiez vous servir rapidement et en toute sécurité de toutes les fonctions de l'appareil, nous avons fait en sorte de rédiger une notice d'utilisation courte et précise.

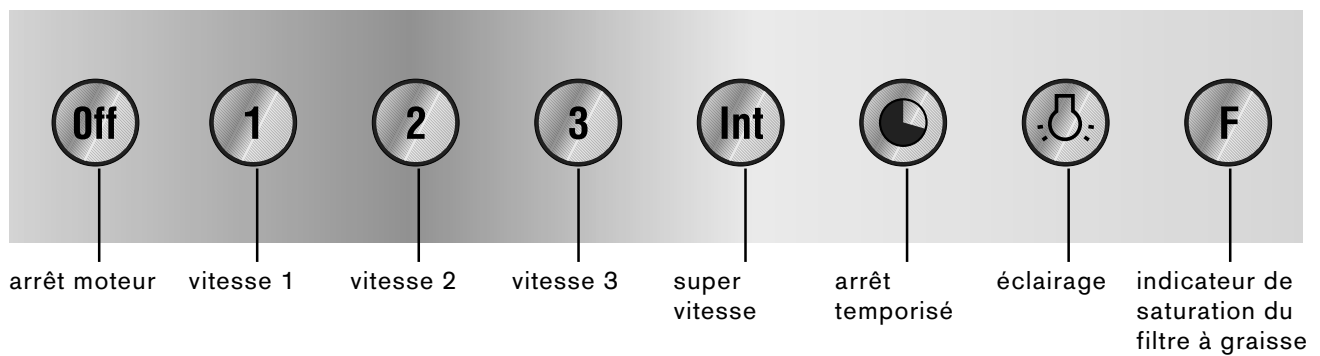
Conservez soigneusement cette notice d'utilisation.

Cette documentation contient également une notice d'installation. Certain travaux d'installation ne peuvent être pris en charge que par un électricien qualifié. Assurez-vous que ces instructions sont toujours à portée de main en cas de besoin.

Équipement



- 1 Écran pare-vapeur
- 2 Bandeau de commande
- 3 Filtre à graisses
- 4 Poignée
- 5 Fenêtre
- 6 Filtre à charbon actif
- 7 Rail d' écartement



Cette hotte à écran plat vous fait bénéficier :

- d'un superbe design en acier inoxydable,
- d'une bonne puissance d'aspiration et d'un niveau de bruit particulièrement faible,
- d'une utilisation et d'un entretien faciles,
- d'un fonctionnement avec évacuation ou recyclage de l'air selon le besoin,
- d'un grand nombre de fonctions grâce à la commande électronique, et
- de différentes fonctions spéciales (ventilation intermittente par exemple).

Consignes de sécurité

Lisez et Conservez Ces Instructions

AVERTISSEMENT – POUR RÉDUIRE LES RISQUES D'INCENDIE, DE CHOC ÉLECTRIQUE OU DE LÉSIONS CORPORELLES, PRENEZ LES PRÉCAUTIONS SUIVANTES :

- a.) Utilisez cet appareil uniquement comme l'a prévu le fabricant. N'hésitez pas à contacter ce dernier si vous avez des questions.
- b.) Avant d'intervenir sur l'appareil ou de le nettoyer, mettez-le hors tension sur le panneau de commande et verrouillez les dispositifs de mise hors tension pour entretien, afin d'empêcher toute remise sous tension inopinée. Si les dispositifs de mise hors tension ne peuvent pas être verrouillés, fixez de manière sûre au panneau de commande un dispositif d'alerte, par exemple une étiquette.

ATTENTION :

UTILISEZ CETTE HOTTE UNIQUEMENT POUR UNE VENTILATION GÉNÉRALE. NE PAS L'UTILISER POUR ÉVACUER DES MATIÈRES ET VAPEURS DANGEREUSES OU EXPLOSIVES.

AVERTISSEMENT - POUR RÉDUIRE LES RISQUES D'INCENDIE DE GRAISSE SUR LA TABLE DE CUISSON.

- a.) Ne laissez jamais une plaque allumée à forte puissance sans surveillance. Les débordements provoquent de la fumée et des résidus gras qui peuvent s'enflammer. Faites chauffer l'huile à feu doux ou moyen.
- b.) Allumez toujours la hotte lorsque vous faites cuire à haute température ou que vous faites cuire des aliments flambés (p. ex. Crêpes Suzette, Cerises Jubilées, grain de poivre etc.).
- c.) Nettoyez souvent les ailettes du ventilateur. Ne laissez pas la graisse s'accumuler sur le ventilateur ou le filtre.
- d.) Utilisez des casseroles de taille appropriée. Utilisez toujours des casseroles et ustensiles correspondant à la taille de la plaque chauffante.

AVERTISSEMENT - POUR RÉDUIRE LES RISQUES DE LÉSIONS CORPORELLES EN CAS D'INCENDIE DE GRAISSE SUR LA TABLE DE CUISSON, PRENEZ LES PRÉCAUTIONS SUIVANTES :

- a.) ÉTOUFFEZ LES FLAMMES avec un couvercle étanche, une plaque à pâtisserie ou un plateau métallique, puis éteignez le brûleur. **SOYEZ PRUDENT AFIN D'ÉVITER DES BRÛLURES.** Si les flammes ne s'éteignent pas immédiatement, **SORTEZ DE LA PIÈCE ET APPELEZ LES POMPIERS.**
- b.) **NE PRENEZ JAMAIS UNE CASSEROLE EN FLAMMES.** Vous risquez de vous brûler.
- c.) **N'UTILISEZ PAS D'EAU,** ni des chiffons ou serviettes mouillés. Cela risque de provoquer une forte explosion de vapeur.
- d.) Utilisez un extincteur **UNIQUEMENT** si :
 1. Vous savez posséder un extincteur de classe ABC et vous savez déjà comment le mettre en service.
 2. Le feu est de faible importance et confiné dans la zone où il a pris.
 3. Les pompiers ont déjà été appelés.
 4. Vous pouvez combattre le feu dos tourné vers une sortie.



Remarques concernant la sécurité

Ne jamais mettre en marche un appareil endommagé.

Isolez l'appareil du secteur pendant les travaux d'entretien. Pour ce faire, déconnectez le fusible correspondant.

L'appareil doit être raccordé uniquement par un spécialiste agréé, dans le respect de toutes les réglementations en vigueur (distributeur d'électricité, normes de construction, etc.).

Les réparations doivent être menées à bien par des spécialistes agréés pour veiller au respect des consignes de sécurité en électricité.

Observez la notice de pose !

Aucune réclamation au titre de la garantie ne peut être déposée en cas de dommage provenant du manquement au respect de cette notice.

Il ne faut pas que des cordons d'alimentation puissent se trouver en contact avec des surfaces de cuisson chaudes.

Si le cordon d'alimentation de cet appareil a été endommagé, il faut confier son remplacement au fabricant ou à son service après-vente, ou encore à une personne possédant des qualifications identiques, pour éviter que l'utilisateur ne se blesse gravement.

Ne mettez pas la hotte aspirante en marche sans ses lampes. Remplacez immédiatement les ampoules défectueuses pour empêcher une surcharge des ampoules restantes.

Ne faites jamais fonctionner l'appareil sans filtre à graisse. L'appareil ne doit pas aspirer de substances et vapeurs dangereuses et explosives !

L'utilisateur est responsable de l'emploi conforme et du parfait état de l'appareil.

Ne laissez jamais l'appareil fonctionner sans surveillance. Les graisses ou huiles surchauffées peuvent s'enflammer facilement. Par conséquent, surveillez toujours les plats (frites par ex.) qui se préparent à l'aide de matières grasses ou d'huiles.

Attention ! Les filtres trop chargés en graisse représentent un risque d'incendie ! Ne faites pas frire à côté de la hotte sans surveillance permanente. Veillez à nettoyer régulièrement le filtre à graisse.

Risque d'incendie ! Il est interdit de faire flamber sous la hotte aspirante !

La hotte aspirante n'offre pas une efficacité optimale lorsqu'elle fonctionne au-dessus d'un foyer à combustible solide (charbon, bois, etc.).

Si la hotte est placée au-dessus d'appareils à gaz, ces derniers doivent être utilisés exclusivement avec les casseroles posées dessus !

Ne faites pas fonctionner tous les foyers en même temps à la puissance maximale pendant une période prolongée (15 minutes max.) car vous risquez de vous brûler en touchant les surfaces du boîtier de la hotte, ou vous risquez d'endommager cette dernière. Lorsque la hotte aspirante fonctionne au-dessus d'une table de cuisson, réglez la hotte sur la puissance d'aspiration maximale si trois foyers ou plus de la table sont allumés.

L'appareil n'est pas prévu pour être utilisé sans surveillance par de jeunes enfants ou des personnes handicapées. Les jeunes enfants doivent être surveillés pour vérifier qu'ils ne jouent pas avec l'appareil.

Ne jamais laisser des adultes ou des enfants se servir de l'appareil sans surveillance :

- s'ils ne sont pas en mesure de le faire de manière correcte et sûre pour des raisons physiques ou mentales,
- ou bien s'ils ne possèdent ni les connaissances ni l'expérience nécessaires pour utiliser l'appareil de manière correcte et sûre.

Lorsque les enfants sont assez grands pour utiliser l'appareil, les parents ou tuteurs légaux ont la responsabilité légale de vérifier que leurs enfants ont reçu de personnes qualifiées les informations nécessaires pour respecter les règles de sécurité.

Ne posez pas d'objets lourds sur l'appareil.

Ne nettoyez pas l'appareil avec un nettoyeur à vapeur ou à pression d'eau à cause du risque de court-circuit que cela représente.

Si un autre foyer (poêle à bois, charbon, gaz ou mazout, cheminée à foyer ouvert) fonctionne dans la pièce où se trouve la hotte murale, il faut assurer un apport suffisant en air frais.

Pour un fonctionnement sans risque, il ne faut pas dépasser une dépression de 4 Pa (0,04 mbar) dans la pièce où se trouve le foyer. Il est possible d'y parvenir en laissant l'air de combustion entrer par des ouvertures non obturables (dans des portes ou fenêtres, bouches d'arrivée/d'évacuation d'air ou autre moyen technique).

Éliminez les matériaux d'emballage conformément à la réglementation (voir la notice de montage).

Cette hotte aspirante n'est destinée à servir que pour couvrir les besoins d'un ménage.

En cas de mauvais fonctionnement, contactez votre distributeur ou le service après-vente de Gaggenau. Veuillez spécifier le numéro du modèle concerné (la plaque signalétique se trouve sous le filtre à graisse).

Nous ne pouvons pas être tenus pour responsables des dommages causés par le non respect de cette notice.

Sous réserve de modifications techniques.

Utilisation

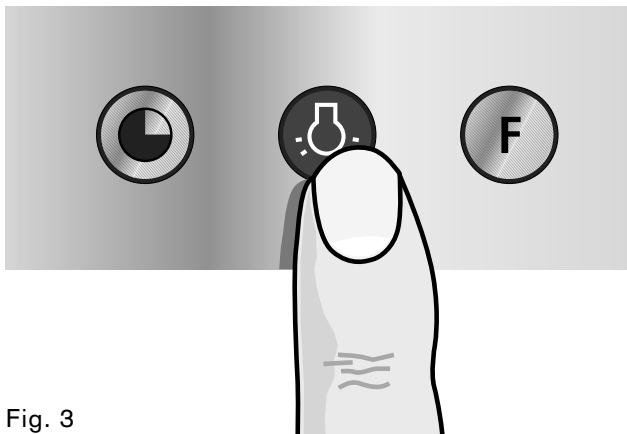



Fig. 3

Le bandeau de commande est intégré dans la partie droite de la poignée de l'écran extractible. Sa position permet de commander l'appareil depuis la façade.

À l'exception de la touche **OFF** (« arrêt moteur »), toutes les touches de sélection de fonctions sont rétro-éclairées en vert lorsqu'elles sont actionnées.

Éclairage

L'éclairage fonctionne indépendamment de la hotte murale et s'allume ou s'éteint à l'aide de la touche  (voir fig. 3).

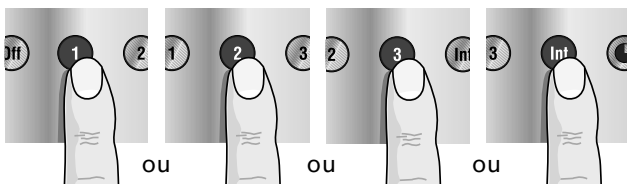


Fig. 4

Ventilation

Vous disposez de trois vitesses d'aspiration plus une super-vitesse (voir fig. 4).

Pour sélectionner la vitesse d'aspiration la mieux adaptée à la cuisson en cours, appuyez sur l'une des touches du sélecteur de fonctions **1**, **2**, **3** ou **Int**.

Le voyant correspondant s'allume sur le panneau de commande.

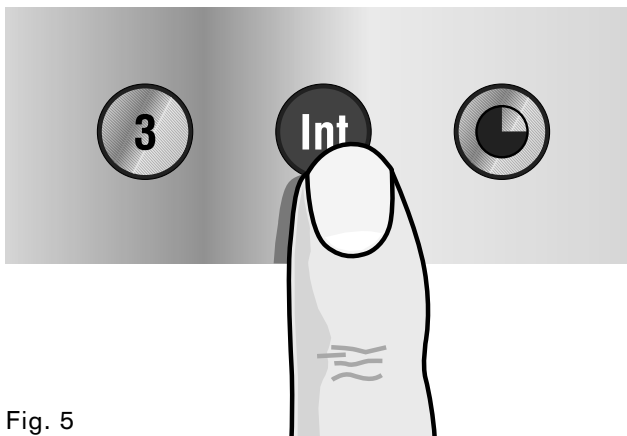


Fig. 5

Pour faire revenir et faire cuire dans une poêle ouverte, il faut choisir la touche de super-vitesse **Int** (voir fig. 5).

Lorsque vous avez allumé la hotte en choisissant la super-vitesse, elle s'arrêtera automatiquement au bout de 5 minutes.

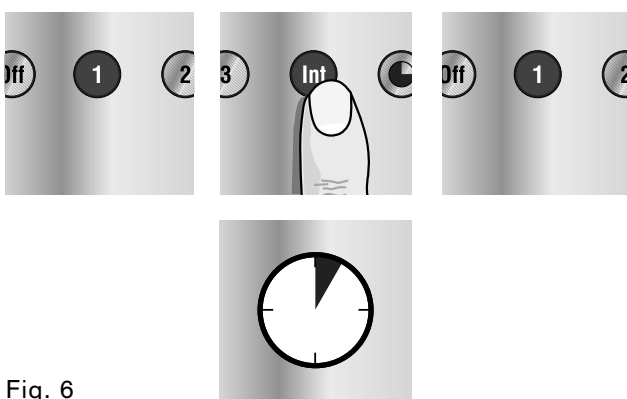


Fig. 6

Si vous appuyez sur la touche **Int** alors que la hotte fonctionne avec la vitesse **1**, **2** ou **3**, l'électronique revient automatiquement à la vitesse d'origine au bout de 5 minutes (voir fig. 6).

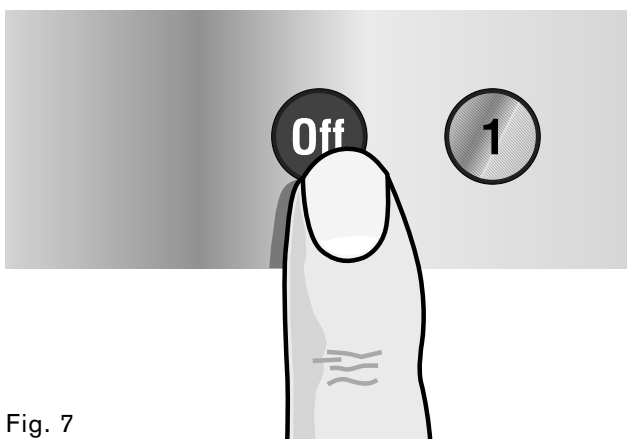


Fig. 7

Si vous voulez arrêter la super-vitesse avant expiration des 5 minutes, appuyez sur la touche **OFF** (« arrêt moteur » (voir fig. 7). Bien entendu, il est à tout moment possible d'arrêter la hotte aspirante en appuyant sur la touche **OFF** (« arrêt moteur »).

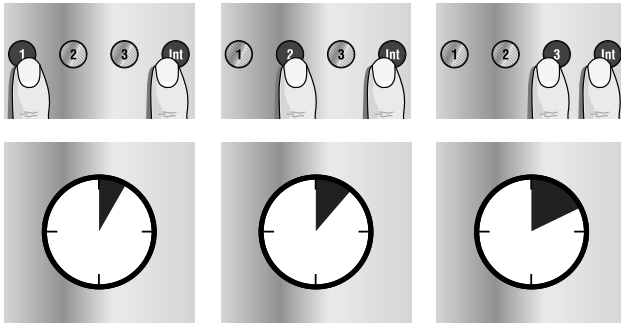


Fig. 8 ou ou

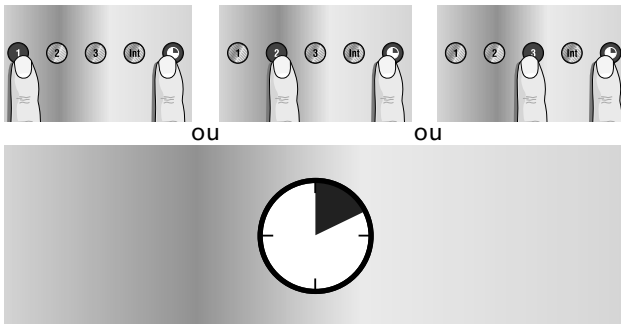


Fig. 9

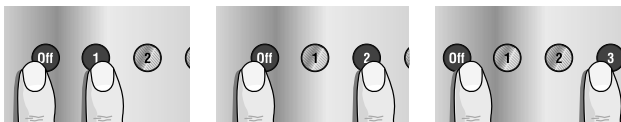


Fig. 10 ou ou

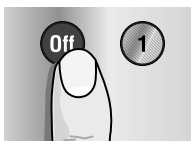


Fig. 11

Fonctions spéciales

Durée de fonctionnement en super-vitesse :

En appuyant simultanément sur la touche **Int** et les touches **1**, **2** ou **3**, vous pouvez affecter une durée de 3, 5 ou 10 minutes à la super-vitesse et sauvegarder cette durée (voir fig. 8). À la livraison, la durée programmée est de cinq minutes, ce qui correspond à la combinaison de touches **Int** et **2**.

Arrêt temporisé :

En appuyant simultanément sur la touche ☺ et sur une des touches **1**, **2** ou **3**, vous pouvez programmer la vitesse fonctionnant avec l'arrêt temporisé et la sauvegarder (voir fig. 9).

L'arrêt temporisé est programmé en usine avec la vitesse 2, ce qui correspond à la combinaison de touches ☺ et **2**.

Quelle que soit la vitesse, la durée de marche avant l'**arrêt temporisé** est de dix minutes. Une fois ce temps écoulé, la ventilation s'arrête automatiquement et l'éclairage s'éteint.

Ventilation intermittente :

Il s'agit d'une fonction spécifique à cette hotte. Elle permet de programmer l'allumage automatique de l'aspiration pendant 5 minutes toutes les heures. Pour sélectionner cette fonction, appuyez en même temps sur les touches **OFF** et, suivant la puissance d'aspiration souhaitée, sur l'une des touches **1**, **2** ou **3** (voir fig. 10).

Ce mode de fonctionnement est signalé par l'allumage alternant du bouton ☺ et du voyant correspondant de la vitesse sélectionnée.

Pour arrêter la ventilation intermittente, appuyez sur la touche **OFF**.

Nettoyage et entretien

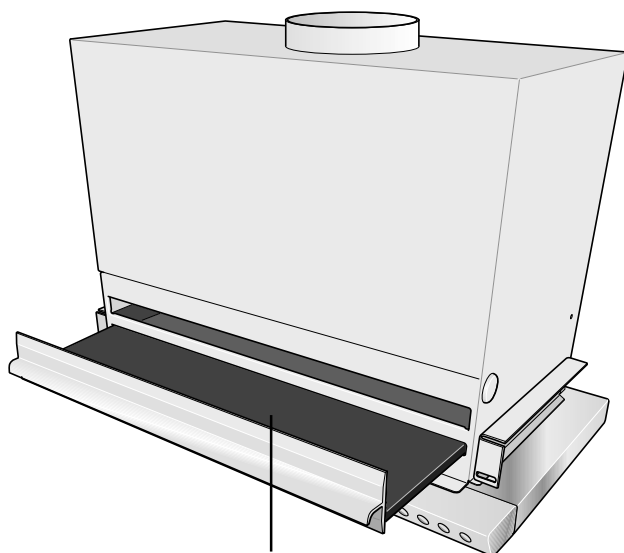


Fig. 12 filtre à graisse

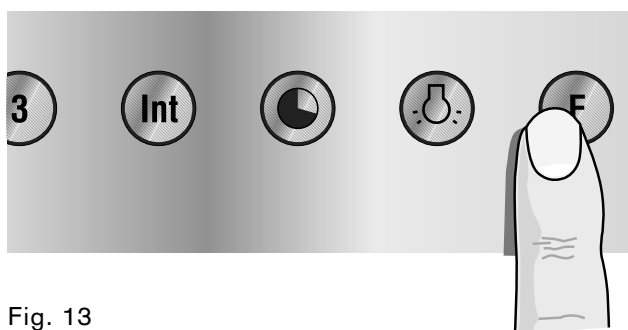


Fig. 13

Après 30 heures de fonctionnement, l'indicateur de saturation **F** des filtres à graisse clignote (voir fig. 2). Le clignotement de ce voyant vous signale qu'il faut nettoyer les filtres. Bien entendu, le nettoyage des filtres à graisse est possible à tout moment, sans que le voyant ne clignote.

Pour le nettoyage, les filtres à graisse en métal sont faciles à déposer (voir fig. 12) :

Saisissez la poignée du filtre et tirez ce dernier vers vous pour le dégager.

Vous pouvez nettoyer les filtres à graisse au lave-vaisselle, à une température maximale de 65 °C (149 °F). Placez-les verticalement dans le lave-vaisselle pour éviter que des résidus alimentaires n'y restent accrochés.

Le lavage des filtres en métal au lave-vaisselle peut provoquer l'apparition d'une légère décoloration.

Dans la mesure du possible, essuyez l'intérieur du boîtier à l'eau chaude au moment du changement de filtre.

Les nattes isolantes peuvent être facilement nettoyées.

Évitez d'utiliser des objets pointus ou rugueux lors du nettoyage des nattes.

Après le nettoyage, remettez les filtres à graisse en place dans la hotte aspirante dans l'ordre inverse.

Appuyez sur la touche **F** pour remettre le signal de saturation du filtre à graisse à zéro. Le voyant de contrôle arrête de clignoter.

Remarque :

Les filtres à charbon actif ne contiennent pas de substances polluantes. Ils peuvent être éliminés via le système normal de ramassage des ordures.

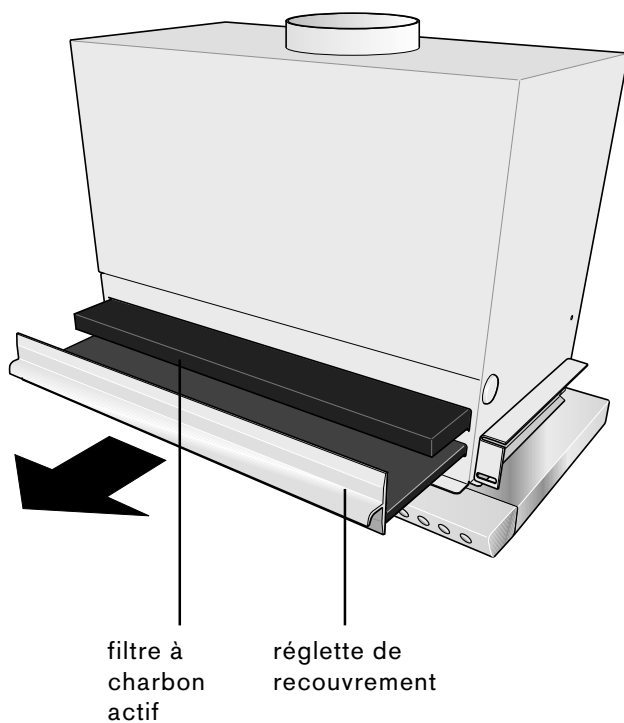


Fig. 14

Mode de recyclage de l'air

Si vous avez choisi d'acheter la hotte aspirante avec recyclage de l'air, il vous faudra changer le filtre à charbon actif (qui n'est pas fourni avec la hotte) après un certain temps de fonctionnement (voir fig. 14). Si vous utilisez votre hotte une fois par jour, vous devrez changer le filtre à charbon actif une à deux fois par an : enlevez d'abord le filtre à graisse ; puis, comme le montre la figure 14, sortez le filtre à charbon actif par l'avant et remplacez-le par un filtre neuf.

Références des filtres à charbon actif :

- pour AH 900-76 1
KF 900-055
- pour AH 900-79 1
KF 900-090

Fenêtre

La fenêtre en verre trempé doit être nettoyée si besoin est. Lorsque l'écran pare-vapeur est déposé, on peut enlever la fenêtre par le haut. La fenêtre peut être nettoyée au lave-vaisselle.

Nettoyez le bandeau de commande avec un chiffon humide et un peu de détergent.

Évitez les produits agressifs tels que les brosses et poudres à récurer.

Remplacement d'une lampe

Mettez la hotte murale hors tension, comme indiqué en page 18.

Enlevez tout d'abord le filtre à graisse.

Dégagez le cache de lampe en déposant les vis qui fixent le cache à l'intérieur du boîtier.

Sortez l'arceau de fixation, puis enlevez la lampe fluorescente en la tirant d'abord vers le bas pour la dégager du support en plastique, puis tirez horizontalement pour l'extraire de la douille.

Remplacez les lampes grillées uniquement par des lampes de même type.

Vous pouvez vous procurer la pièce de rechange d'origine :

- pour AH 900-76 1
référence **211406**
- pour AH 900-79 1
référence **292103**

auprès des distributeurs spécialisés ou du service après-vente de Gaggenau.

Placez la lampe fluorescente neuve sur la douille de façon à entendre le déclic de verrouillage. Ensuite, enfoncez la lampe dans le support en plastique et poussez l'arceau de fixation sur le support. La lampe ne peut plus tomber.

Nettoyez le cache de la lampe avec un détergent doux, puis remettez-le en place solidement sur la hotte.

Remettez l'appareil sous tension.

Remarque :

Votre hotte de cuisine est équipée en série d'un tube fluorescent « blanc clair ». Ceci garantit un éclairage optimal du plan de cuisson. Si vous souhaitez un éclairage d'une autre couleur, vous pouvez commander les nuances « ton chaud » et « Interna » à votre distributeur.



Remarques importantes

Pose

AVERTISSEMENT – POUR RÉDUIRE LES RISQUES D'INCENDIE, DE CHOC ÉLECTRIQUE OU DE LÉSIONS CORPORELLES, PRENEZ LES PRÉCAUTIONS SUIVANTES :

- a.) Les travaux d'installation et de câblage électrique doivent être faits par des personnes qualifiées, conformément aux réglementations et normes en vigueur, y compris sur les classes de résistance au feu.
- b.) L'apport d'air doit être suffisant pour garantir une bonne combustion et l'évacuation des gaz dans le conduit de cheminée d'un appareil à mazout, afin d'éviter les retours de flammes. Respectez les instructions du fabricant de l'appareil de chauffage et les normes de sécurité, comme celles éditées par la National Fire Protection Association (NFPA), et l'American Society for Heating, Refrigeration and Air Conditioning (ASHRAE), ainsi que par les autorités locales.
- c.) Si vous faites une saignée ou des trous dans le mur ou le plafond, veillez à ne pas endommager des câbles électriques ou tout autre appareillage encastré et non visible.
- d.) Les ventilateurs sous carter doivent toujours être reliés avec l'extérieur.
- e.) Ne placez JAMAIS un interrupteur à un endroit accessible à partir d'une baignoire ou d'une douche.

AVERTISSEMENT – POUR RÉDUIRE LES RISQUES D'INCENDIE, UTILISEZ UNIQUEMENT DES CONDUITS EN MÉTAL.

AVERTISSEMENT :

La hotte doit être installée en conformité avec les prescriptions du distributeur d'électricité et les réglementations sur la construction en vigueur dans chaque pays.

Distance minimale entre la table de cuisson électrique et le bord inférieur de la hotte : 18 1/2 po (47 cm)

Distance minimale sur les tables de cuisson à gaz entre le bord supérieur de la grille et le bord inférieur de la hotte : 26 po (65 cm)

Options de branchement

La hotte murale est conçue pour fonctionner en mode **d'évacuation ou de recyclage de l'air**. L'évacuation de l'air peut se faire dans une cheminée séparée ou à travers la cloison extérieure, directement à l'air libre.

Il est interdit de rejeter l'air vicié dans un conduit de fumée en service ou dans une cheminée reliée à la chaudière. Si vous voulez évacuer l'air vicié par une cheminée qui n'est pas en service, il faut au préalable consulter le ramoneur responsable de votre district.

Si un autre foyer à oxygène fonctionne dans la pièce où se trouve la hotte utilisée en mode d'évacuation de l'air, il faut, pour des raisons de sécurité, consulter un ramoneur dès le stade de l'étude. Il faut en particulier assurer un apport suffisant en air frais. Les normes locales de construction et de sécurité doivent être respectées.

Si un autre foyer (poêle à bois, charbon, gaz ou mazout, cheminée à foyer ouvert) fonctionne dans la pièce où se trouve la hotte murale, il faut assurer un apport suffisant en air frais.

Pour un fonctionnement sans risque, il ne faut pas dépasser une dépression de 4 Pa (0,04 mbar) dans la pièce où se trouve le foyer. Il est possible d'y parvenir en laissant l'air de combustion entrer par des ouvertures non obturables (dans des portes ou fenêtres, bouches d'arrivée/d'évacuation d'air ou autre moyen technique).

Instructions de mise à la terre

L'appareil doit être mis à la terre. Dans l'éventualité d'un court circuit électrique, la mise à la terre peut réduire le risque de choc électrique en permettant au courant de s'échapper. Cet appareil électroménager est muni d'un cordon possédant un fil avec une fiche de mise à la terre. La fiche doit être branchée dans une prise correctement installée et mise à la terre.

AVERTISSEMENT – UNE MISE À LA TERRE DÉFECTUEUSE PEUT ENTRAÎNER UN RISQUE DE CHOC ÉLECTRIQUE.

Si les consignes de mise à la terre ne sont pas parfaitement comprises, ou en cas de doute sur la mise à la terre correcte de l'appareil, consulter un électricien qualifié.

Ne pas utiliser de rallonge. Si le cordon d'alimentation est trop court, demandez à un électricien qualifié d'installer une prise à proximité de l'appareil.



Remarques importantes

Branchement électrique :

Tenir compte des indications de la plaque signalétique. L'appareil doit être branché uniquement par un électricien agréé qui est responsable du bon fonctionnement de l'appareil sur le lieu d'installation.

Il doit expliquer à l'utilisateur le mode de fonctionnement de l'appareil à l'aide de la notice d'utilisation.

Si il n'est pas possible de débrancher totalement l'appareil du secteur au moyen d'une fiche accessible, il faut prévoir un interrupteur, un fusible ou un sectionneur conforme au code local.

Il faut indiquer à l'utilisateur comment débrancher l'appareil en cas d'urgence.

Notes relatives à la réparation :

Si l'appareil ne fonctionne pas correctement, commencez par vérifier les fusibles de l'installation. Si l'alimentation électrique est correcte mais que l'appareil ne fonctionne toujours pas, avisez votre distributeur Gaggenau qui vous donnera l'adresse et le numéro de téléphone de notre service après-vente le plus proche de chez vous ou appelez Gaggenau USA, +1 877 4GAGGENAU.

Les réparations doivent être effectuées uniquement par un électricien agréé afin de garantir la sécurité de l'appareil. Toute intervention non autorisée rendra nulle toute réclamation au titre de la garantie. L'appareil doit toujours être débranché de l'alimentation électrique lors de toute intervention de réparation.

Les appareils usagés ne sont pas des déchets sans valeur. Leur élimination par recyclage permet de récupérer de précieuses matières premières. Avant de mettre au rebut un appareil usagé, rendez-le inutilisable.

Votre nouvel appareil vous a été livré dans une caisse d'expédition de protection. Tous les matériaux d'emballage sont respectueux de l'environnement et peuvent être recyclés. Veuillez contribuer à un environnement plus sain en mettant au rebut les matériaux d'emballage dans le respect de l'environnement.

Demandez à votre distributeur ou aux autorités locales quelles sont les formes de recyclage actuellement possibles.

Cette hotte aspirante peut être utilisée en mode d'évacuation ou de recyclage de l'air.

Installez la hotte aspirante impérativement au-dessus du centre de la plaque de cuisson.

N'installez pas la hotte aspirante au-dessus d'un appareil de cuisson à combustible solide – générateur d'un risque d'incendie (par projection d'étincelles p. ex.) – à moins que l'appareil ne soit muni d'un **couverture fermé et inamovible**, et que le montage soit effectué dans le respect de la réglementation nationale.

Plus l'écart entre la hotte aspirante et les plaques chauffantes est faible, plus des gouttelettes de condensation sont susceptibles de s'accumuler sur la face intérieure de la hotte.

Informations supplémentaires concernant les cuisinières à gaz :

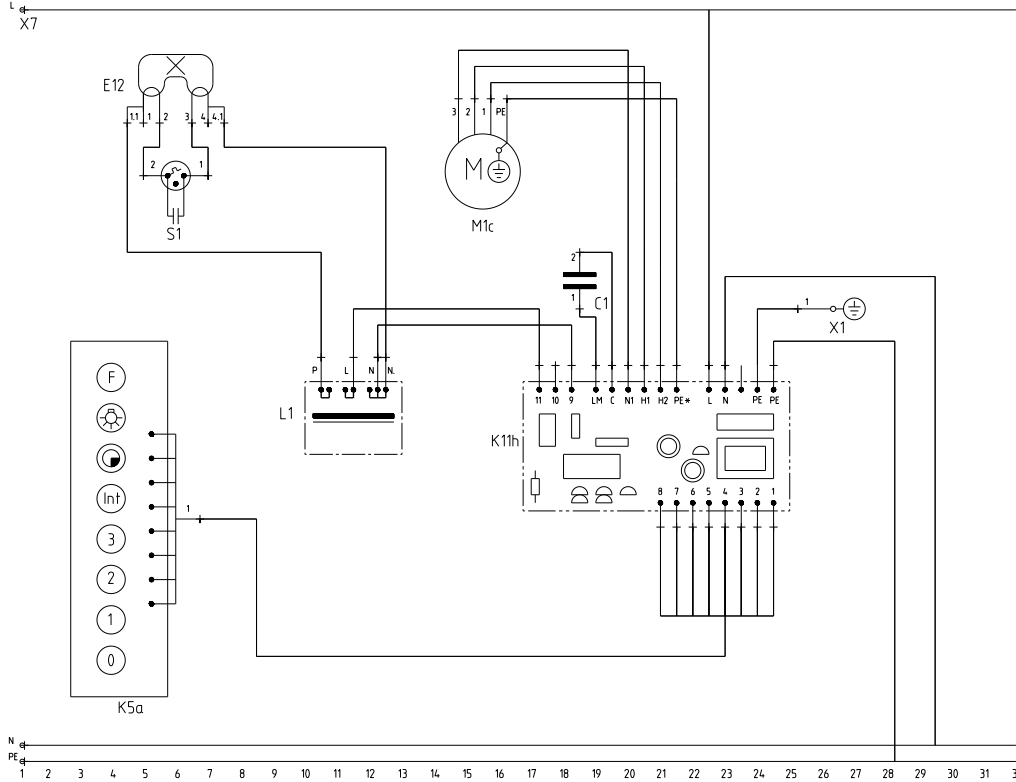
Lorsque vous installez des plaques chauffantes à gaz, veillez à respecter la réglementation légale nationale pertinente (par exemple, en Allemagne : Technische Regeln Gasinstallation TRGI).

Veillez à toujours respecter la réglementation en vigueur et la notice d'installation fournie par le fabricant de l'appareil à gaz.

Seul un côté de la hotte aspirante peut être installé près d'une unité ou d'un mur élevé. Prévoir un écart d'au moins 2 po.

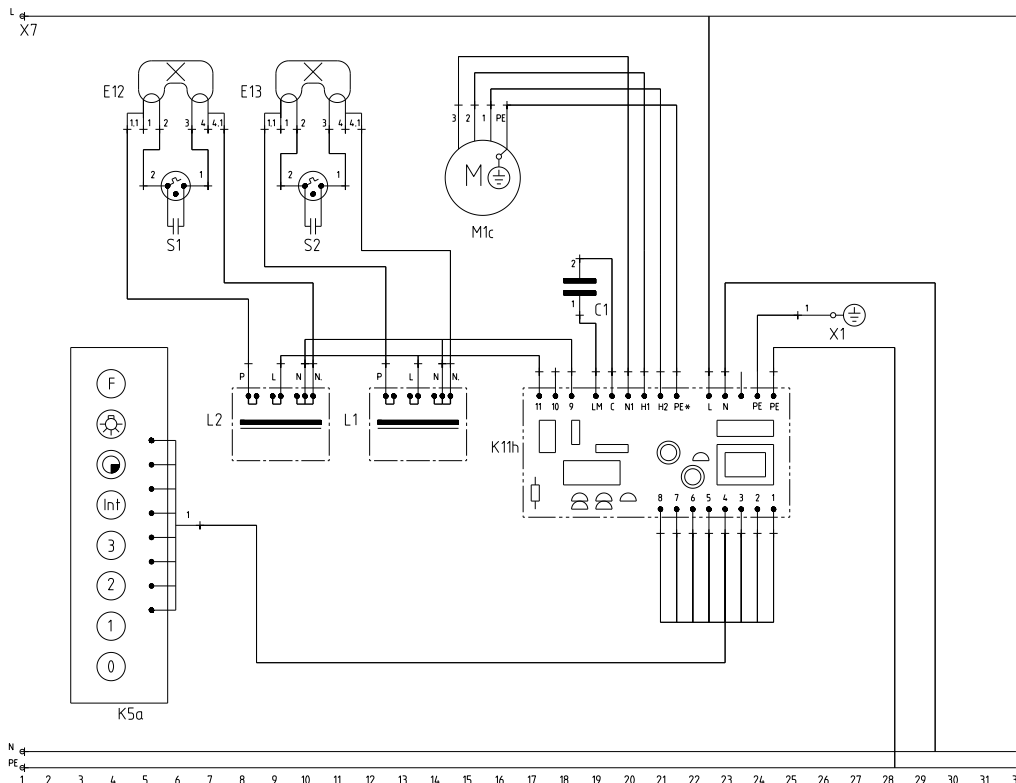
Schéma de câblage

AH900761



REF	Composants	Circuit
C1	Condensateur	18
E12	Tube au néon 13 W	4-7
K5a	Carte de commande	7
K11h	Variateur de vitesse sur carte	17-24
L1	Bobine	10-12
M1c	Moteur d'aspiration	15-16
S1	Starter tube au néon	5-7
X1	Support de mise à la terre	25
X7	Borne de raccordement au secteur	1

AH900791



REF	Composants	Circuit
C1	Condensateur	18
E12	Tube au néon 13 W	4-7
E13	Tube au néon 13 W	9-12
K5a	Carte de commande	7
K11h	Variateur de vitesse sur carte	17-24
L1	Bobine	12-14
L2	Bobine	8-10
M1c	Moteur d'aspiration	15-16
S1	Starter tube au néon	5-7
S2	Starter tube au néon	9-11
X1	Support de mise à la terre	25
X7	Borne de raccordement au secteur	1

Pose

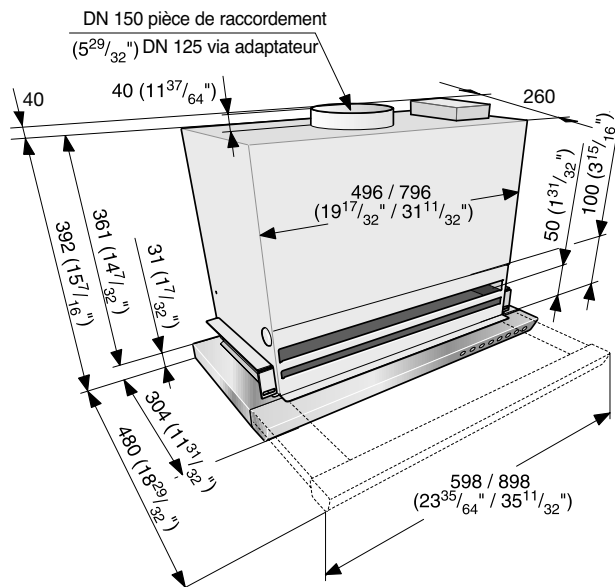


Fig. 15

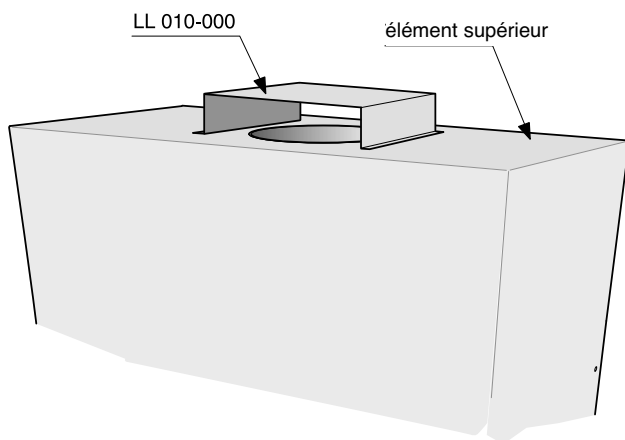


Fig. 16

La hotte est dotée d'un orifice de sortie dirigé vers le haut.

Pour évacuer l'air vicié à travers le mur, nous recommandons l'utilisation de notre caisson mural télescopique TM 150-045.

Remarque :

Pour empêcher l'eau, par exemple la condensation ou l'eau de pluie provenant d'une cheminée d'aération non couverte, de pénétrer dans la hotte, il faut prévoir un collecteur de condensation RV 060-150 à proximité de la hotte. Ce dispositif doit demeurer accessible même après la pose de la hotte.

Mode de recyclage de l'air

Si vous avez choisi de faire fonctionner votre hotte en mode de recyclage de l'air, vous devez avoir reçu les pièces suivantes :

- pour AH 900-761
Filtre à charbon actif **KF 900-055**
- pour AH 900-791
Filtre à charbon actif **KF 900-090**
- tôle chicane LL 010-000

La tôle chicane se fixe à l'avant de l'élément, le sens de sortie étant dirigé vers l'avant. L'écart entre la hotte et la tôle chicane doit être comblé par un tuyau en matériau non inflammable. Partant de la chicane, l'air doit pouvoir revenir sans obstacles dans la pièce. En cas d'utilisation d'un bandeau allant jusqu'au plafond, il faut prévoir une ouverture dans ce bandeau.

Remarque concernant le bandeau frontal en bois :

Il n'est pas possible de remplacer la poignée de la hotte par un bandeau frontal en bois.

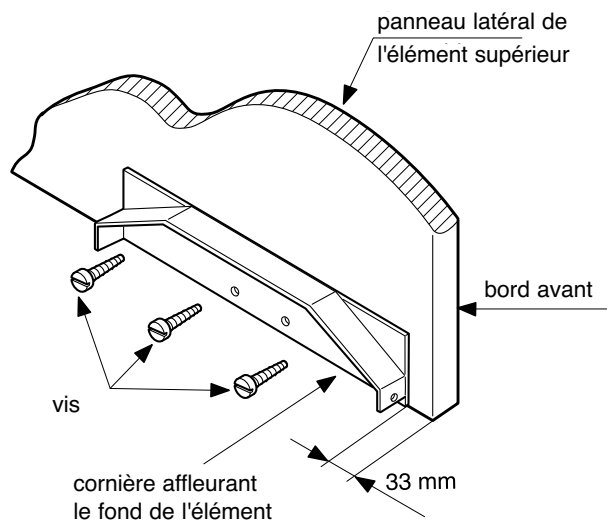


Fig. 17

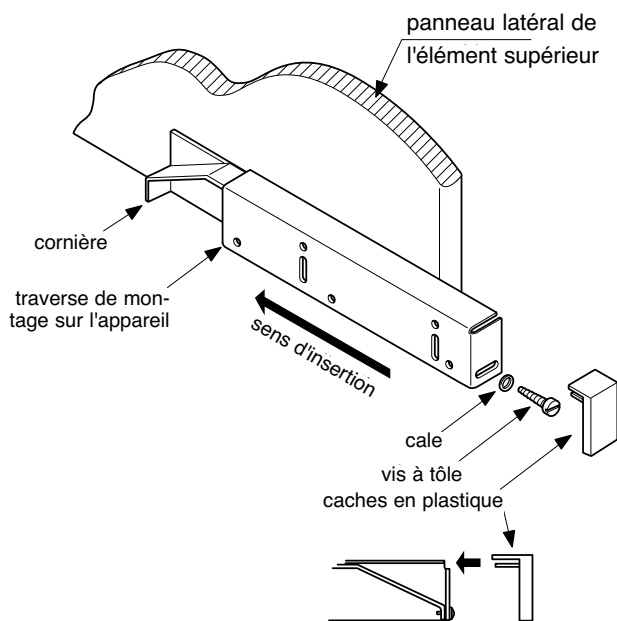


Fig. 18

La hotte s'installe dans un élément supérieur **dépourvu** de fond. Se reporter à la fig. 15 pour obtenir les dimensions.

Si vous ne disposez pas d'un élément approprié, vous pouvez prendre un élément du commerce et en enlever le fond.

L'élément supérieur doit avoir une profondeur intérieure minimale de 295 mm (11 13/32 po) et une hauteur minimale de 450 mm (17 23/32 po).

À l'aide des vis fournies, installez les cornières à l'intérieur de l'élément suspendu (fig. 17). Veillez à ce que les cornières affleurent le bord inférieur et, à une distance de 33 mm (1 3/10 po), le bord avant de l'élément.

Posez la hotte de telle façon que les traverses latérales de montage reposent sur les cornières montées au préalable, puis faites coulisser vers l'arrière, dans l'élément (fig. 18). L'écran affleure alors le bord inférieur de l'élément.

Ajustez la hotte latéralement. Vissez les cornières et traverses de montage à gauche et à droite à l'aide des vis à tôle fournies.

Placez ensuite les caches en plastique fournis sur les traverses de montage. Pour les éléments hauts de 55 cm (21 5/8 po) de large et les meubles dont l'épaisseur de paroi est supérieure à 16 mm (5/8 po), il faut ajuster les caches en plastique en les recoupant avec un couteau.

⚠ ATTENTION : Soyez prudent en coupant les rails d'écartement et les caches à la dimension voulue pour éviter tout risque de lésions corporelles.

Coupez le rail d'écartement à la bonne dimension, c'est-à-dire de manière à ce qu'il couvre l'écart entre le bord arrière de la hotte et le mur.

Enlevez le cache de la lampe (voir le chapitre intitulé « Remplacement d'une lampe ») et vissez le rail d'écartement à la paroi arrière de l'appareil.

Posez les gaines d'air et branchez l'appareil sur le réseau électrique.

Contenido

Instrucciones de utilización

Recomendaciones de uso de estas instrucciones de utilización 33

Características de equipamiento 34

Advertencias de seguridad 35
Lea y Guarde Estas Instrucciones 35

Instrucciones de seguridad 36

Utilización 37

Luz 37

Ventilación 37

Funciones especiales 39

Cuidado y limpieza 40

Cambio de lámparas 42

Instrucciones de montaje

Información importante 43

Montaje 43

Información eléctrica 44

Conexión eléctrica 44

Diagrama de cableado 45

Montaje 46

Recomendaciones de uso de estas instrucciones de utilización

Estimados clientes:

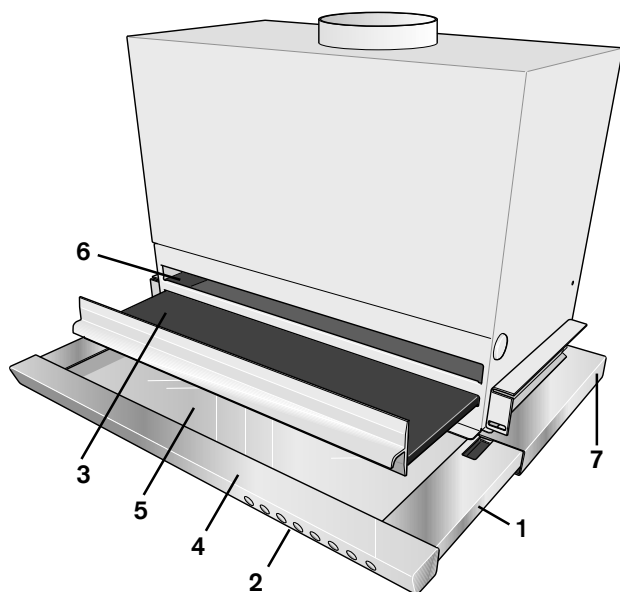
Han optado por un aparato de cocina exclusivo de Gaggenau. Deseamos felicitarles por esta decisión.

Con el fin de que puedan utilizar lo más rápidamente y con seguridad todas las funciones del aparato, hemos intentado que las instrucciones de utilización sean lo más breves y concisas posible.

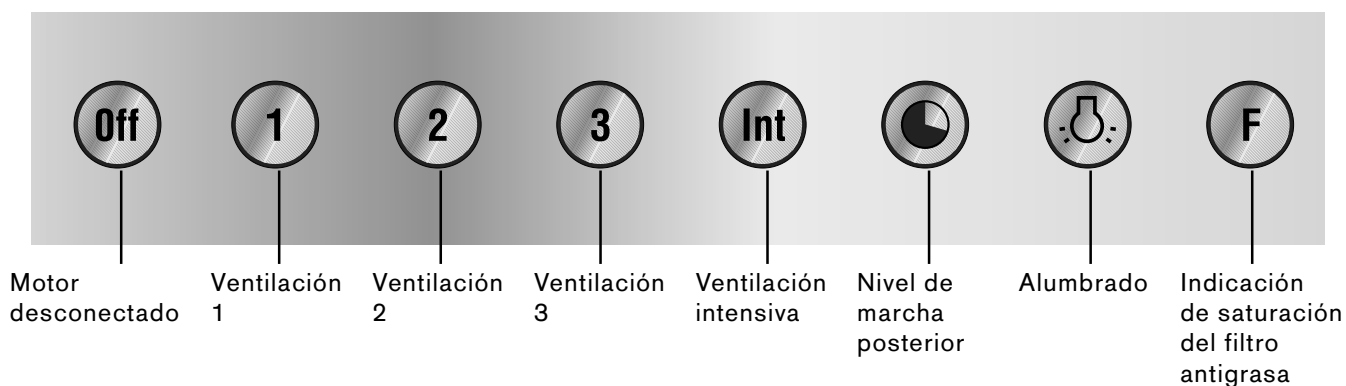
Conserve estas instrucciones de utilización en un lugar seguro.

Esta documentación engloba incluso instrucciones de montaje. Determinadas operaciones de montaje sólo podrán ser ejecutadas por un electricista calificado. Asegúrese de tener estas instrucciones siempre a mano cuando las necesite.

Características de equipamiento



- 1 Pantalla para vapor
- 2 Panel de mando
- 3 Filtro antigrasa
- 4 Maneta
- 5 Ventana de inspección
- 6 Filtro de carbono activo
- 7 Carril distanciador



Esta campana mural plana le ofrece:

- un diseño excelente de acero inoxidable,
- una gran potencia de extracción con el mínimo de ruidos,
- un cuidado y manejo sencillo,
- a voluntad, un servicio de extracción o de circulación de aire,
- una gran cantidad de funciones controladas por el operador, gracias a la electrónica, y
- diversas funciones especiales (p. ej., ventilación a intervalos).

Advertencias de seguridad

Lea y Guarde Estas Instrucciones.

ADVERTENCIA – PARA REDUCIR EL RIESGO DE INCENDIO, ELECTROCUCIÓN O LESIONES PERSONALES, RESPETE LO SIGUIENTE:

- a.) Use esta unidad sólo de la manera prevista por el fabricante. Si tiene preguntas, comuníquese con el fabricante.
- b.) Antes de revisar o limpiar la unidad, desconéctela de la red eléctrica desde el panel de distribución y cierre bajo llave el panel para evitar que se vuelva a conectar la red accidentalmente. Cuando el panel de distribución no pueda cerrarse bajo llave, coloque firmemente sujeto algún tipo de advertencia que destaque, como por ejemplo una señal, en el panel de distribución.

PRECAUCIÓN:

USAR SÓLO PARA VENTILACIÓN GENERAL. NO USAR PARA EVACUAR MATERIALES PELIGROSOS O EXPLOSIVOS Y VAPORES.

ADVERTENCIA – PARA REDUCIR EL RIESGO DE INCENDIO POR LA GRASA EN LA PARRILLA.

- a.) No deje nunca desatendida una encimera ajustada a una potencia alta. Los vertidos pueden causar humo y salpicaduras de grasa que pueden prenderse. Caliente los aceites lentamente o con una potencia baja o media.
- b.) Active siempre la campana cuando cocine con niveles elevados de calor o al flambear (i.e. crepas Suzette, cerezas Jubilee, filete a la pimienta flameado).
- c.) Limpie frecuentemente los extractores. No debe permitirse que se acumule grasa en el ventilador o filtro.
- d.) Utilice un recipiente del tamaño correcto. Use siempre recipientes apropiados para el tamaño de la encimera.

ADVERTENCIA – PARA REDUCIR EL RIESGO DE LESIONES PERSONALES EN EL CASO DE INCENDIO POR GRASA EN LA PARRILLA, RESPETE LO SIGUIENTE:

- a.) ATENÚE LAS LLAMAS con una tapa bien ajustada, una placa para galletas o una bandeja metálica, entonces apague la hornilla. VAYA CON CUIDADO PARA EVITAR QUEMADURAS. Si las llamas no se apagan inmediatamente, EVACUE LA HABITACIÓN Y LLAME A LOS BOMBEROS.
- b.) NO RECOJA NUNCA UN RECIPIENTE EN LLAMAS – Podría quemarse.
- c.) NO USE AGUA, ni tampoco trapos o toallas húmedas – se produciría una violenta explosión de vapor.
- d.) Use un extintor SÓLO si:
 1. Sabe que dispone de un extintor de clase ABC y ya sabe cómo manejarlo.
 2. El fuego es pequeño y reducido al área donde se ha originado.
 3. Se ha llamado a los bomberos.
 4. Puede combatir el fuego teniendo una vía de salida a su espalda.



Instrucciones de seguridad

Los aparatos defectuosos no deben ponerse en servicio.

Aísle el aparato de la red de corriente durante todas las operaciones de mantenimiento. Para esto, desconecte el fusible correspondiente.

Sólo un técnico especialista autorizado debe poner en servicio el aparato teniendo en cuenta la normativa vigente de las compañías de suministro eléctrico, así como las normativas de construcción regionales.

Para que quede garantizada la seguridad eléctrica del aparato, las reparaciones las han de llevar a cabo técnicos especialistas autorizados.

¡Respete también las instrucciones de montaje!

Los daños ocasionados por inobservancia de estas instrucciones no pueden ser reconocidos por la garantía.

Los cables de conexión no deben entrar en contacto con las superficies de cocción calientes.

En caso de producirse daños en el cable de conexión del aparato, éste sólo podrá ser sustituido por el fabricante, un técnico especializado del Servicio de Asistencia Técnica Oficial o un técnico calificado del ramo, a fin de evitar lesiones graves al usuario.

Ponga la campana extractora en servicio sólo con las lámparas colocadas. Los focos defectuosos deberán sustituirse inmediatamente para evitar que los focos restantes se sobrecarguen.

No utilice nunca el aparato sin filtro antigrasa. ¡No deben aspirarse sustancias ni vapores peligrosos o explosivos!

El usuario es responsable de la utilización según lo dispuesto y del correcto estado del aparato.

Ponga el aparato en servicio únicamente bajo vigilancia. Las grasas o aceites calentados excesivamente pueden inflamarse rápidamente. Por ello, los alimentos o platos que requieran grasa o aceite caliente, como por ejemplo patatas fritas, etc., sólo deberán prepararse bajo vigilancia.

¡Precaución! ¡Los filtros demasiado grasientos constituyen un peligro de incendio! Al freír con el aparato debajo de una campana extractora, este deberá estar siempre bajo vigilancia continua. ¡Preste atención de efectuar una limpieza periódica del filtro antigrasa!

¡Peligro de incendio! ¡El flambeado debajo de la campana extractora no está permitido!

El funcionamiento de una campana extractora por encima de hogares con material combustible sólido (carbón, madera) sólo está permitido de forma condicionada.

¡Los aparatos de cocción a gas sólo podrán utilizarse debajo de una campana extractora, cuando estén colocadas ollas encima!

No usar simultáneamente todas las zonas de cocción de la placa o cocina ajustadas a su máxima potencia durante un período prolongado (como máximo 15 minutos); de lo contrario, existe peligro de quemadura al entrar en contacto con la superficie del aparato o se pueden ocasionar daños en la campana extractora. En caso de montar y usar la campana extractora montada por encima de una placa encimera, la campana deberá trabajar a su máxima potencia si se usan simultáneamente tres o más zonas de cocción.

El aparato no ha sido diseñado para ser utilizado por niños ni personas con algún tipo de discapacidad sin supervisión. Los niños deben ser supervisados para asegurarse de que no jueguen con el aparato.

No dejar que los adultos ni los niños manejen el aparato sin supervisión:

- si tienen algún tipo de discapacidad física o mental que les impida usar el aparato de forma adecuada y segura,
- si carecen del conocimiento y la experiencia necesarios para que su uso sea adecuado y seguro.

Cuando los niños tienen edad suficiente para manejar el aparato es responsabilidad legal de los padres o tutores legales asegurar que hayan sido instruidos respecto de la seguridad por parte de personas calificadas.

No coloque objetos pesados sobre el aparato.

No limpie jamás su aparato con aparatos de limpieza a vapor o con presión de agua – existe riesgo de cortocircuito.

Si en el mismo recinto donde se encuentra montada la campana existe un sistema de calefacción que funcione con madera, carbón, gas o bien gasóleo, o bien una chimenea de hogar abierta, deberá garantizarse una entrada de aire suficiente.

Un funcionamiento sin peligro sólo puede darse si el vacío parcial en el lugar del equipo de encendido no sobrepasa los 4 Pa (0,04 mbar). Esta presión puede alcanzarse cuando el aire necesario para la combustión puede ingresar a través de aberturas que no pueden sellarse, tales como puertas, ventanas, cajas murales de entrada y salida de aire o mediante cualquier otra medida técnica.

Elimine los materiales de embalaje de manera correcta (ver Instrucciones de montaje).

La presente campana extractora sólo es adecuada para uso doméstico.

Si se produce una falla, comuníquese con su proveedor o con el servicio de posventa de Gaggenau, y especifique el número de modelo en cuestión (la placa de características se encuentra debajo del filtro antigrasa).

No asumimos responsabilidad alguna por los daños ocasionados por inobservancia de estas instrucciones.

¡Reservado el derecho a modificaciones técnicas!

Utilización

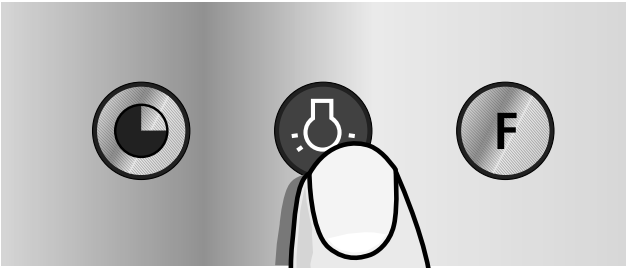


Fig. 3

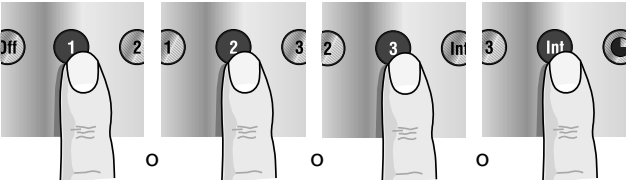


Fig. 4

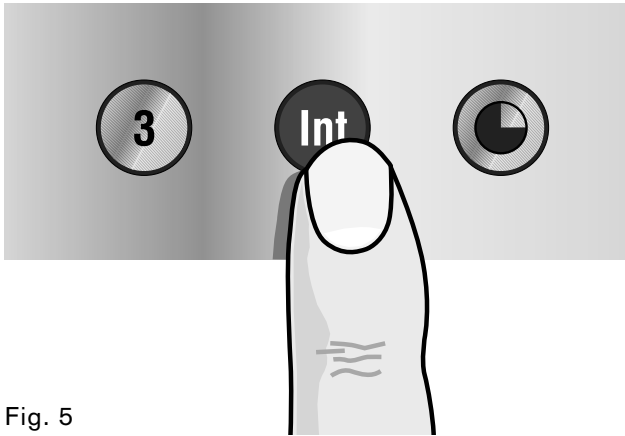


Fig. 5

Al dorar y freír con sartén destapada, deberá pulsarse la tecla **Int** para el nivel intensivo. (ver Fig. 5)

Si ha activado la campana seleccionando el nivel intensivo, ésta se vuelve a desconectar automáticamente transcurridos unos 5 minutos.

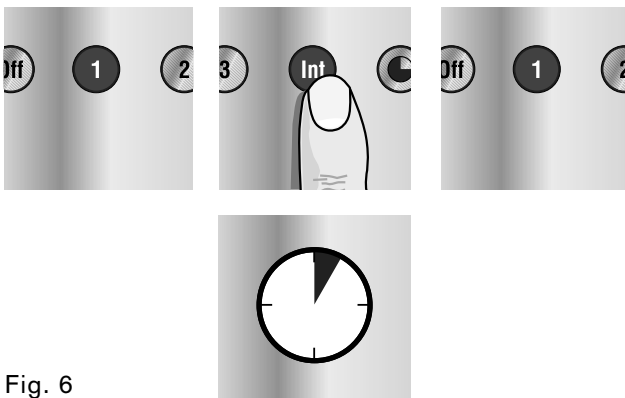


Fig. 6

Si pulsa la tecla **Int** mientras que la campana esté funcionando en los niveles de ventilación **1**, **2** ó **3**, la electrónica conmuta automáticamente, transcurridos unos 5 minutos, de nuevo al nivel de ventilación seleccionado anteriormente (ver Fig. 6).

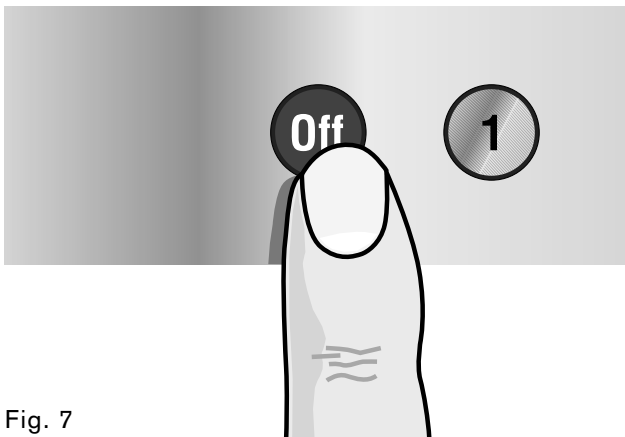


Fig. 7

Si desea finalizar con el nivel intensivo antes del transcurso de los 5 minutos, pulse la tecla **OFF** (motor desconectado) (ver Fig. 7). En cualquier momento, puede desactivar la función de extracción de la campana, pulsando la tecla **OFF** (motor desconectado).

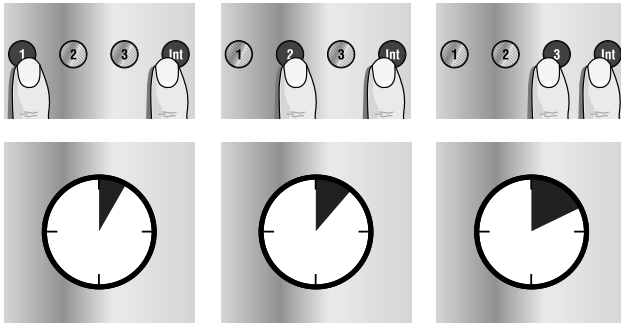


Fig. 8

o

o

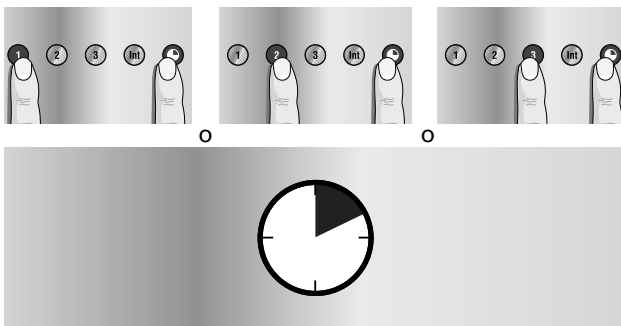


Fig. 9

o

o

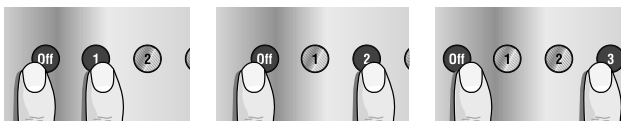


Fig. 10

o

o

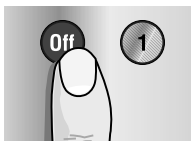


Fig. 11

Funciones especiales

Duración intensiva:

Pulsando simultáneamente la tecla **Int** y la tecla **1, 2** ó **3**, puede ajustar la campana en nivel intensivo por 3, 5 ó 10 minutos y memorizarlo (ver Fig. 8). Al ser suministrado, el aparato viene configurado con 5 minutos, es decir, la combinación de la tecla **Int** y la tecla **2**.

Nivel de marcha posterior:

Pulsando simultáneamente la tecla ☺ y la tecla **1, 2** ó **3**, puede ajustar el nivel de marcha posterior y memorizarlo (ver Fig. 9).

El nivel 2, es decir, la combinación de la tecla ☺ y la tecla **2**, viene configurado de fábrica.

El tiempo de **marcha posterior** viene configurado con 10 minutos. Transcurridos estos diez minutos, se desconecta la ventilación y el alumbrado de forma automática.

Ventilación a intervalos:

Una particularidad de este aparato es la ventilación a intervalos, que es una conexión automática de la ventilación de cinco minutos cada hora respectivamente. Esta función puede activarse pulsando simultáneamente la tecla **OFF** y según la potencia de extracción deseada, la tecla **1, 2** ó **3** (ver Fig. 10).

Esta clase de servicio es indicada mediante la iluminación alternativa de la tecla ☺ y de la indicación del nivel de ventilación correspondiente.

La ventilación a intervalos es desactivada pulsando la tecla **OFF**.

Cuidado y limpieza

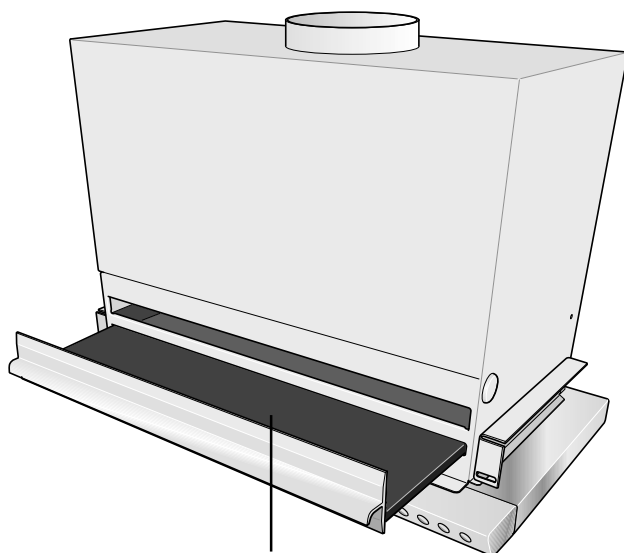


Fig. 12 Filtro antigrasa

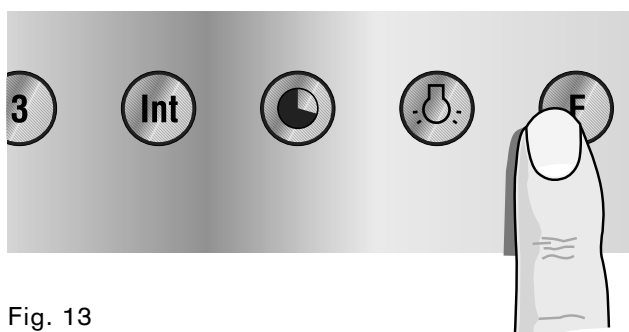


Fig. 13

Tras un tiempo de servicio de 30 horas, parpadea la indicación de saturación del filtro antigrasa **F** que señala que el filtro antigrasa requiere una limpieza (ver Fig. 2). Evidentemente, la limpieza del filtro antigrasa es posible en cualquier momento, aunque no esté intermitente la indicación de saturación del filtro antigrasa.

Los filtros antigrasa metálicos pueden desmontarse con facilidad para su limpieza (ver Fig. 12):

Sujete la maneta del filtro antigrasa y jale el filtro hacia usted y retírelo de la unidad.

Los filtros antigrasa metálicos pueden limpiarse en el lavavajillas a 65 grados (149 °F) como máximo. Coloque el filtro antigrasa en forma vertical, con el fin de que no queden restos de alimentos.

Cuando se realiza la limpieza de filtros metálicos con lavavajillas, puede producirse una ligera decoloración.

Si es posible, el interior de la carcasa deberá limpiarse con agua caliente al efectuarse el cambio de filtro.

Las esteras de aislamiento acústico pueden limpiarse fácilmente.

Evite usar objetos con punta o ásperos al limpiarlas.

Después de limpiar el filtro antigrasa, vuelva a colocarlo en la campana en la misma posición en que lo retiró.

Pulse la tecla **F** para poner a cero la indicación de saturación del filtro antigrasa. Desaparece el parpadeo de la lámpara de control.

Nota:

Los filtros de carbono activo no contienen materias nocivas para el medio ambiente. Los filtros de carbono activo usados pueden eliminarse conjuntamente con la basura común.

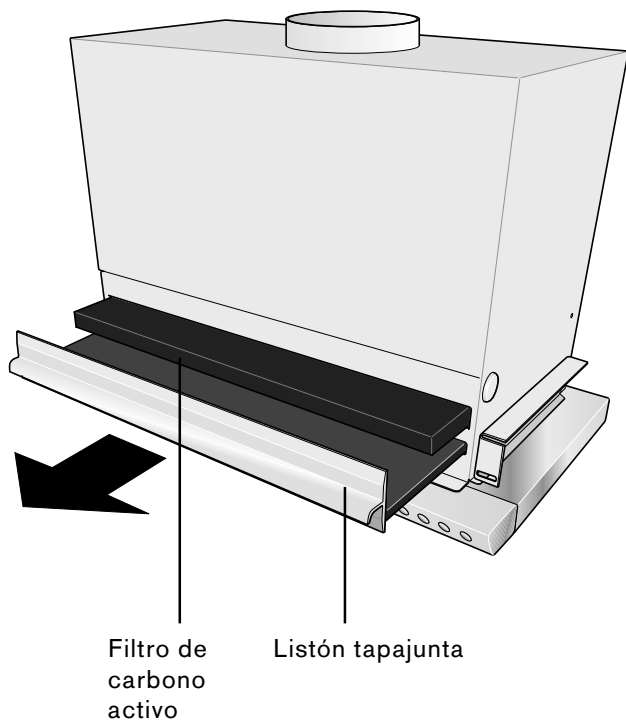


Fig. 14

Servicio de recirculación

Si en la compra de la campana ha optado por la de servicio de circulación, deberá cambiar el filtro de carbono activo (opcional) tras un cierto número de horas de servicio (ver Fig. 14). Cuando se utiliza el filtro de carbono una vez al día, se deberá cambiar de 1 a 2 veces al año: Retire primeramente el filtro antigrasa. Extráigalo de la campana mural hacia adelante según la Fig. 14, y sustitúyalo por un filtro nuevo de carbono activo.

Números de repuesto para el filtro de carbono activo:

- para AH 900-76 1
KF 900-055
- para AH 900-79 1
KF 900-090

Ventana de inspección

Deberá limpiar la ventana de inspección de cristal duro cuando lo precise. Este cristal puede retirarse hacia la parte superior después de retirar la pantalla para vapor. La ventana de inspección es apta para limpiarla en lavavajillas.

Limpie el panel de mando con un trapo húmedo y con un poco de detergente.

Deberán evitarse cepillos o agentes de limpieza corrosivos, como polvos para fregar.

Cambio de lámparas

Desconectar la campana mural de la red eléctrica, como se describe en la Página 33.

Retire primeramente el filtro antigrasa.

Retire la tapa de lámparas, destornillando los tornillos con los cuales va fijada la tapa de lámparas en la parte interior de la carcasa.

Extraiga la horquilla de seguridad y, primeramente, saque la lámpara fluorescente en sentido descendente hacia fuera del soporte de plástico y, seguidamente, en sentido horizontal, hacia afuera del zócalo.

Las lámparas fluorescentes defectuosas deberán sustituirse solamente por lámparas del mismo tipo.

La pieza de repuesto original:

- para AH 900-76 1, número de repuesto **211406**
- para AH 900-79 1, número de repuesto **292103**

puede obtenerse a través de proveedores especializados o del servicio de posventa de Gaggenau.

Coloque de nuevo la lámpara fluorescente en el zócalo, de modo que pueda oír como encaja. Para que la lámpara quede protegida contra caídas, se presiona firmemente hacia dentro del soporte de plástico y la horquilla de seguridad se cierra sobre el soporte.

Limpie la tapa de la lámpara con detergente suave y vuelva a colocarla en la campana.

Conecte de nuevo el equipo a la red eléctrica.

Nota:

Su campana va equipada de serie con un tubo fluorescente de tonalidad "blanco-claro". De este modo, queda garantizada una iluminación óptima de su área de cocción. Si desea una tonalidad distinta, puede solicitarlo a su proveedor especializado en las tonalidades "tono cálido" e "Interna".



Información importante

Montaje

ADVERTENCIA – PARA REDUCIR EL RIESGO DE INCENDIO, ELECTROCUCIÓN O LESIONES PERSONALES, RESPETE LO SIGUIENTE:

- a.) Los trabajos de montaje y de conexión eléctrica deben ser realizados por (una) persona(s) calificada(s) de acuerdo con todos los códigos y normas vigentes, incluidos los códigos de construcción con respecto a incendios.
- b.) Para una apropiada combustión y evacuación de gases a través del cañón (chimenea) del equipo donde se quema el combustible, es necesario que haya suficiente aire para evitar contratirajes. Siga las directrices del fabricante del equipo de calefacción y normas de seguridad tales como las publicadas por la Asociación Nacional de Protección contra Incendios (NFPA), por la Sociedad Americana para Calefacción, Refrigeración y Aire acondicionado (ASHRAE), y por las autoridades locales responsables del cumplimiento de los códigos.
- c.) Al cortar o taladrar en la pared o el techo, no dañe cables eléctricos ni otras instalaciones ocultas que pueda haber.
- d.) Los ventiladores entubados siempre deben ventilarse al exterior.
- e.) No coloque NUNCA un interruptor donde pueda ser alcanzado desde una bañera o ducha.

ADVERTENCIA – PARA REDUCIR EL RIESGO DE INCENDIOS, USAR SÓLO CANALIZACIONES METÁLICAS.

ADVERTENCIA:

Al montar la campana, se deben respetar las normativas aplicables de las compañías de suministro de energía y las normativas de construcción regionales.

Distancia mínima entre la placa eléctrica y el canto inferior de la campana: 18 1/2" (47 cm)

Distancia mínima de las placas de gas entre el canto superior de la rejilla y el canto inferior de la placa: 26" (65 cm)

Posibilidades de conexión

La campana mural fue concebida para el servicio de extracción de aire **o de recirculación de aire**. El aire de salida puede ser conducido a través de un canal separado de ventilación o a través de la pared externa directamente hacia afuera.

No está permitido conducir el aire de salida a través de una chimenea de cañón o de extracción de salida en funcionamiento ni a través de un canal que posea una conexión al cuarto de calderas. Si desea conducir el aire de salida a través de una chimenea que está fuera de servicio, deberá consultar primeramente al deshollinador competente de su zona.

Si en el mismo recinto en que se encuentra instalada la campana que se utiliza en el servicio de extracción de aire, se usa simultáneamente un hogar dependiente del aire ambiental, deberá consultar, **por motivos de seguridad, a la hora de planificar**, al deshollinador de su zona. Se ha de proporcionar suficiente entrada de aire. Se han de respetar las normativas de seguridad y de construcción vigentes.

Si en el mismo recinto donde se encuentra montada la campana existe un sistema de calefacción que funcione con madera, carbón, gas o bien gasóleo, o bien una chimenea de hogar abierta, deberá garantizarse una entrada de aire suficiente.

Un funcionamiento sin peligro sólo puede darse si el vacío parcial en el lugar de montaje del equipo de encendido no sobrepasa los 4 Pa (0,04 mbar). Esta presión puede alcanzarse cuando el aire necesario para la combustión puede ingresar a través de aberturas que no pueden sellarse, tales como puertas, ventanas, cajas murales de entrada y salida de aire o mediante cualquier otra medida técnica.

Instrucciones para conectar a tierra

El aparato debe estar conectado a tierra. En caso de un cortocircuito eléctrico, la conexión a tierra reduce el riesgo de electrocución proporcionando un cable de escape para la corriente eléctrica. Este aparato viene equipado con un cable con un hilo de conexión a tierra y un enchufe para conexión a tierra. El enchufe debe colocarse en una toma de corriente que esté correctamente instalada y conectada a tierra.

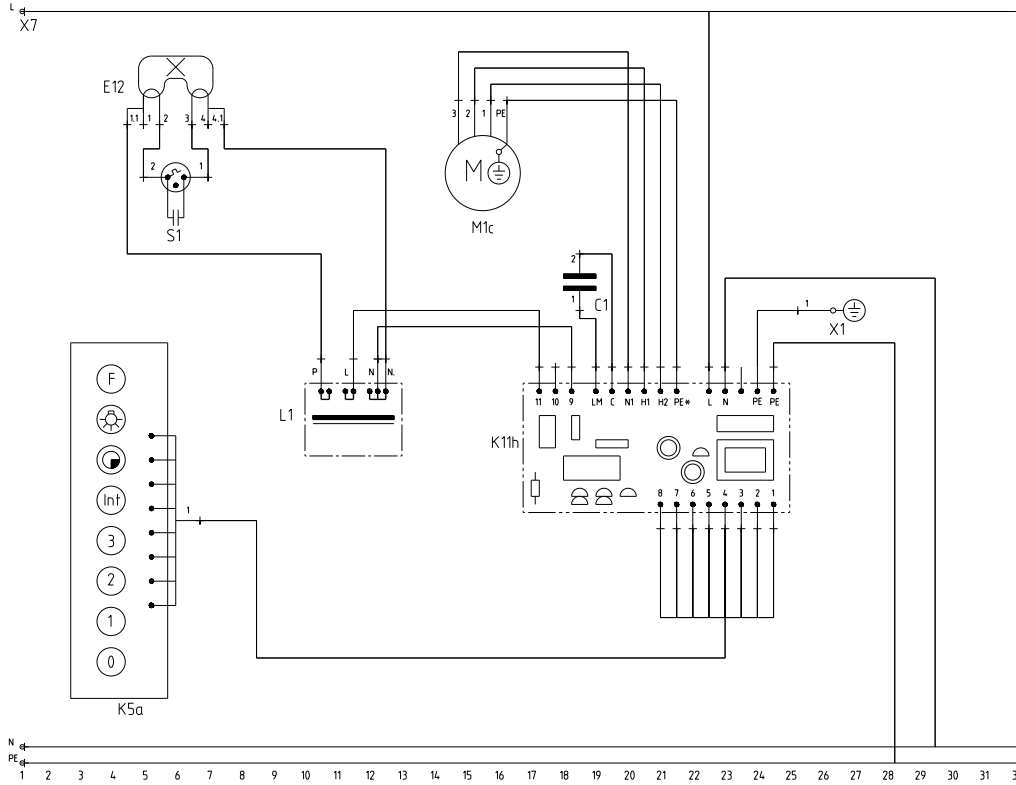
ADVERTENCIA – LA INCORRECTA CONEXIÓN A TIERRA PUEDE CAUSAR ELECTROCUCIÓN.

Consulte a un electricista calificado si no comprende la totalidad de las instrucciones de conexión a tierra o si tiene alguna duda respecto de si el aparato está correctamente conectado a tierra.

No use un cable de extensión. Si el cable de alimentación eléctrica es demasiado corto, solicite a un electricista calificado que instale una toma de corriente cerca del aparato.

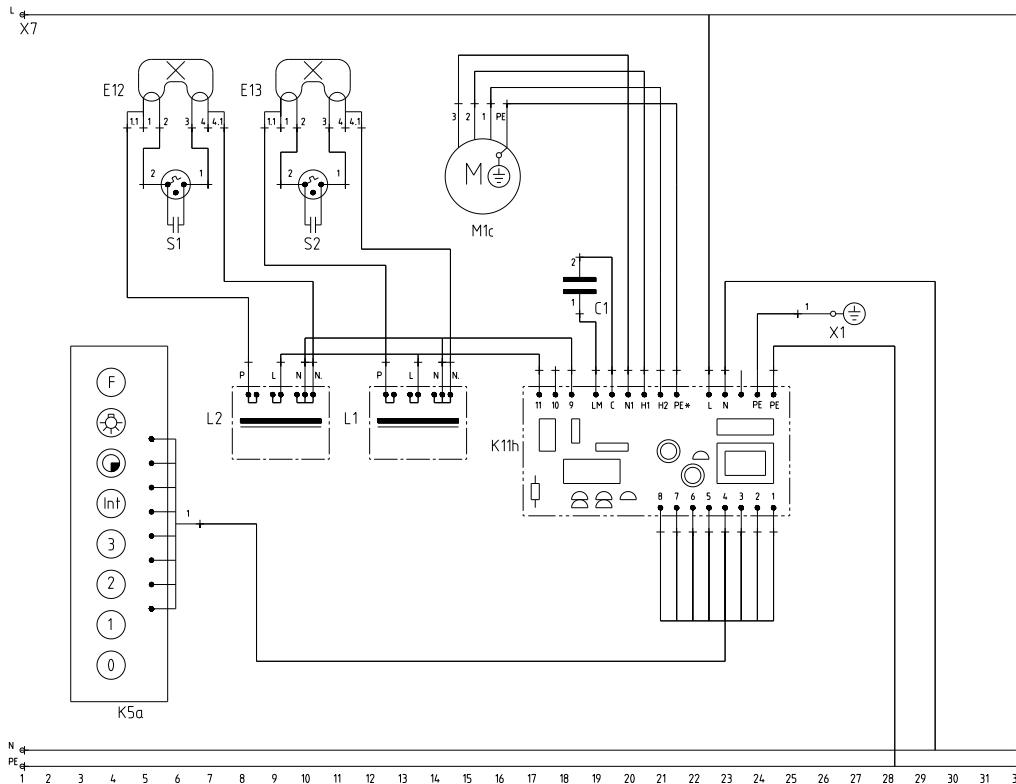
Diagrama de cableado

AH900761



REF	Componentes	Posición
C1	Condensador	18
E12	Lámpara fluorescente 13 W	4-7
K5a	Placa electrónica de mando	7
K11h	Regulador del núm de revoluc placa electrónica	17-24
L1	Estrangulador	10-12
M1c	Motor del ventilador	15-16
S1	Arrancador lámpara fluorescente	5-7
X1	Portador puesta a tierra	25
X7	Barne de conexión	1

AH900791



REF	Componentes	Posición
C1	Condensador	18
E12	Lámpara fluorescente 13 W	4-7
E13	Lámpara fluorescente 13 W	9-12
K5a	Placa electrónica de mando	7
K11h	Regulador del núm de revoluc placa electrónica	17-24
L1	Estrangulador	12-14
L2	Estrangulador	8-10
M1c	Motor del ventilador	15-16
S1	Arrancador lámpara fluorescente	5-7
S2	Arrancador lámpara fluorescente	9-11
X1	Portador puesta a tierra	25
X7	Barne de conexión	1



Información importante

Conexión eléctrica:

Se deberán respetar las indicaciones que figuran en la placa de características. La unidad podrá ser conectada solamente por un electricista autorizado, quien es responsable del correcto funcionamiento del aparato en el momento del montaje.

Esta persona deberá indicar al usuario el funcionamiento de la unidad en relación con su manual de instrucciones.

Si el aparato no puede desconectarse completamente de la red eléctrica por medio de un enchufe accesible, debe montarse un interruptor, un fusible o un disyuntor que cumpla con los códigos locales.

El usuario debe saber cómo desconectar el aparato en caso de emergencia.

Instrucciones de reparación:

Si el aparato no funciona correctamente, compruebe primero los fusibles. Si el suministro eléctrico funciona correctamente pero el aparato aún no funciona, comuníquese con su proveedor de Gaggenau, quien le proporcionará la dirección y el número de teléfono de su agente de servicio técnico autorizado más cercano o comuníquese con Gaggenau USA, +1 877 4GAGGENAU.

Para garantizar la seguridad del aparato, las reparaciones sólo deben hacerlas electricistas autorizados. Las manipulaciones no autorizadas del aparato invalidarán cualquier reclamación bajo garantía. Durante los trabajos de reparación, el aparato debe estar desconectado del suministro eléctrico.

Los aparatos usados no son residuos sin valor. Las materias primas valiosas pueden recuperarse reciclando los aparatos usados. Antes de eliminar su aparato usado, deberá inutilizarlo.

Usted recibió su nuevo aparato en un embalaje protector. Todos los materiales de embalaje utilizados son respetuosos con el medio ambiente y pueden ser reciclados. Contribuya activamente a la protección del medio ambiente utilizando métodos de eliminación de los materiales de embalaje respetuosos con el medio ambiente.

Pregunte a su proveedor o a la autoridad local acerca de las vías de eliminación actuales.

La campana extractora puede utilizarse en el servicio de extracción de aire o de aire de circulación.

Montar la campana extractora siempre por encima del centro de la placa encimera.

La campana extractora no se debe montar por encima de hogares para combustibles sólidos, ya que esto representa un posible peligro de incendio (por ejemplo, proyección de chispas), a menos que el hogar esté provisto de una **protección cerrada, no desmontable** y se respeten todas las normativas nacionales.

Cuanto menor sea la distancia entre la campana extractora y las zonas de cocción, mayor posibilidad existe de que se formen gotas de agua en la parte inferior de la campana extractora.

Advertencias adicionales relativas a las cocinas de gas:

Al proceder al montaje de los quemadores de una cocina de gas, deberán observarse las normativas legales vigentes en cada país (en Alemania, por ejemplo, son las Normas Técnicas para Instalación de Equipos de Gas TRGI).

Siempre respete las normativas vigentes, así como las instrucciones de montaje facilitadas por el fabricante del aparato de gas.

Esta campana extractora sólo deberá montarse con un lateral junto a una unidad alta o a una pared alta. Distancia mínima a observar: 2".

Montaje

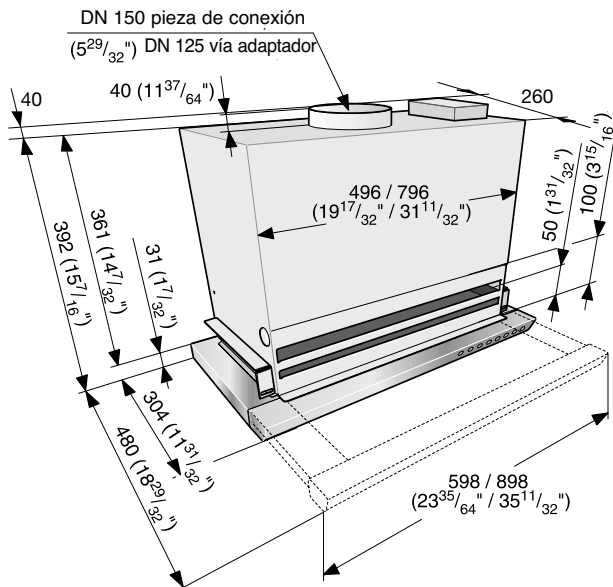


Fig. 15

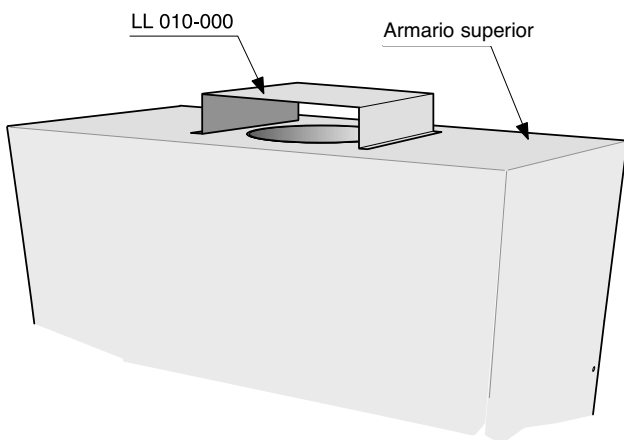


Fig. 16

La campana tiene una apertura de ventilación en la parte superior.

Para la colocación a través de la pared exterior, recomendamos la utilización de nuestra caja mural telescópica TM 150-045.

Nota:

Para evitar la penetración de agua, p. ej., agua de condensación o agua de lluvia proveniente de un canal de salida no protegido a la campana mural, se deberá utilizar nuestro colector de condensación RV 060-150 cerca de la campana. El colector de condensación aún debe estar accesible tras el montaje.

Servicio con circulación de aire

Si ha decidido comprar una campana de servicio con recirculación de aire, en el suministro se acompañarán las siguientes piezas:

- para AH 900-761
Filtro de carbono activo **KF 900-055**
- para AH 900-791
Filtro de carbono activo **KF 900-090**
- Chapa de conducción de aire LL 010-000

La chapa de conducción de aire está sujeta en el techo del armario con la apertura de ventilación hacia delante. La distancia entre la campana y la chapa de conducción de aire deberá unirse con un tubo de material no inflamable. Esto significa que el aire que sale de la chapa de conducción de aire deberá poder circular sin obstáculos de nuevo al recinto. Si se usa un panel que llegue hasta el techo, se deberá realizar un orificio en este panel.

Indicación acerca de los paneles delanteros de madera:

La maneta de la campana no puede sustituirse por un panel delantero de madera.

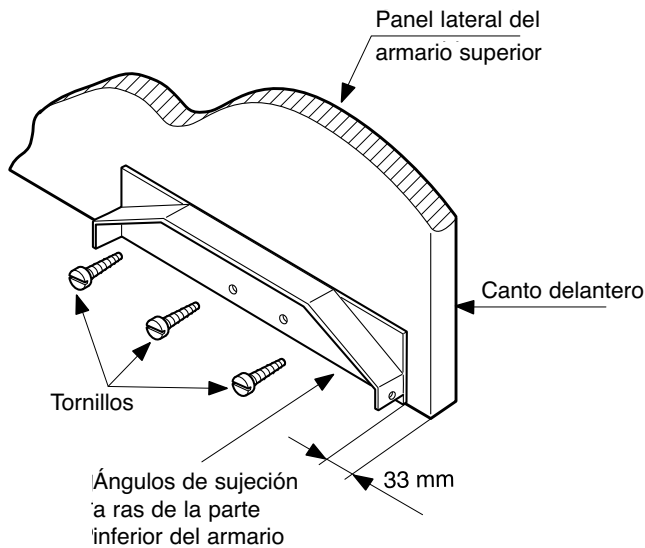


Fig. 17

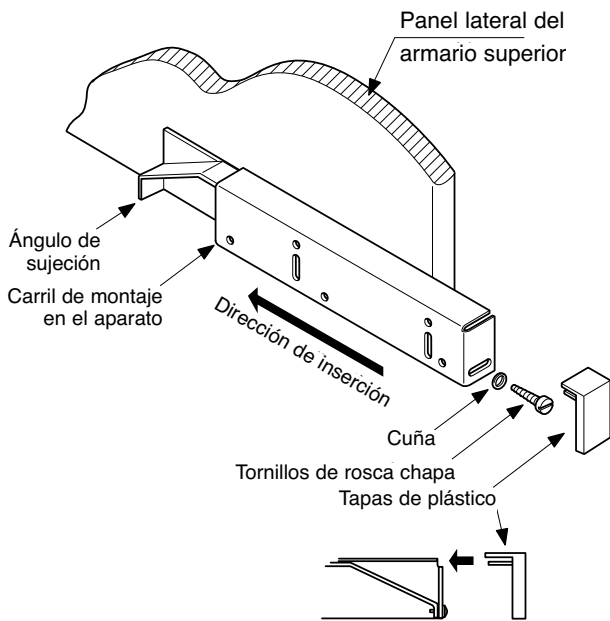


Fig. 18

La campana puede montarse en un armario superior **sin fondo**. Las dimensiones del aparato puede tomarlas de la Fig. 15.

Si no se dispone del armario correspondiente, deberá quitar el fondo de un armario de uso corriente en el comercio.

El armario superior deberá disponer de una profundidad mínima de 295 mm (11 13/32") (ancho libre del interior) y una altura mínima de 450 mm (17 23/32").

Los ángulos de sujeción son montados con los tornillos suministrados en el lado interior del armario para colgar (Fig. 17). Los ángulos de sujeción deberán quedar montados a ras con los cantos inferior y delantero del armario a una distancia de 33 mm (1 3/10").

La campana se inserta en los carriles de montaje laterales sobre los ángulos de sujeción previamente montados y se desliza hasta la parte posterior del armario (Fig. 18). El deslizante de pantalla quedará a ras del canto inferior del armario.

La campana se alinea en dirección lateral. El ángulo de sujeción y el carril de montaje se atornillan a la parte izquierda y derecha con los tornillos de rosca chapa adjuntos.

Seguidamente, se insertan sobre los carriles de montaje las tapas de plástico adjuntas. Con armarios superiores de 55 cm (21 5/8") de anchura, así como con armarios con espesores de pared superior a 16 mm (5/8"), deberán adaptarse las tapas de plástico recortándolas a ras con un cuchillo.

⚠ ADVERTENCIA: Tenga cuidado al cortar el carril distanciador y al adaptar el tamaño de la tapa para evitar lesiones personales.

El carril distanciador suministrado se corta de tal modo que forma un puente entre la distancia del canto posterior de la campana y la pared que está detrás.

Se retira la tapa de la lámpara (ver Cambio de lámparas) y se atornilla el carril distanciador con el panel posterior de la unidad.

Seguidamente se colocan las conducciones de ventilación y se conecta la unidad a la red de corriente.

Gaggenau

BSH Home Appliances Ltd.
1901 Main Street, Suite 600
Irvine, CA 92614
+1 877 4GAGGENAU
USA
www.gaggenau-usa.com

Gaggenau Hausgeräte GmbH

Carl-Wery-Straße 34
81739 München
Germany
www.gaggenau.com



9000432067 en-us, es-mx, fr-ca

GAGGENAU